



US00D611800S

(12) **United States Design Patent**  
**Ghatikar**

(10) **Patent No.:** **US D611,800 S**  
(45) **Date of Patent:** **\*\* Mar. 16, 2010**

(54) **LOW-PROFILE CAP FOR MODULAR PANEL SYSTEMS**

6,430,894 B1 \* 8/2002 Chae et al. .... 52/786.1  
6,467,225 B1 \* 10/2002 Shimomura ..... 52/204.5  
D594,735 S \* 6/2009 Hofer ..... D8/349

(75) Inventor: **Venugopal R. Ghatikar**, Salt Lake City, UT (US)

\* cited by examiner

(73) Assignee: **3Form, Inc.**, Salt Lake City, UT (US)

*Primary Examiner*—Holly H Baynham  
(74) *Attorney, Agent, or Firm*—Workman Nydegger

(\*\*) Term: **14 Years**

(57) **CLAIM**

(21) Appl. No.: **29/339,981**

The ornamental design for a low-profile cap for modular panel systems, as shown and described.

(22) Filed: **Jul. 10, 2009**

**Related U.S. Application Data**

**DESCRIPTION**

(63) Continuation of application No. PCT/US2009/030992, filed on Jan. 14, 2009.

FIG. 1 is an exploded perspective view of a low-profile cap for modular panel systems in an exemplary environment;

(51) **LOC (9) Cl.** ..... **08-05**

(52) **U.S. Cl.** ..... **D8/354**

FIG. 2 is an assembled right elevation view thereof in an exemplary environment;

(58) **Field of Classification Search** ..... D8/349,  
D8/354, 382; 52/786.1, 204.7, 208, 786.13,  
52/204.5

FIG. 3 is a top perspective assembled view thereof;

See application file for complete search history.

FIG. 4 is an exploded perspective view thereof in an exemplary environment;

FIG. 5 is a top perspective assembled view thereof in an exemplary environment;

(56) **References Cited**

**U.S. PATENT DOCUMENTS**

2,180,633	A	11/1939	Holt	
4,187,892	A	2/1980	Simmons	
4,648,766	A *	3/1987	Wollar	411/41
D298,736	S *	11/1988	Shiraishi	D8/388
D298,801	S *	12/1988	Satoh	D8/382
5,540,514	A	7/1996	Demars et al.	
6,254,397	B1	7/2001	Elmer	

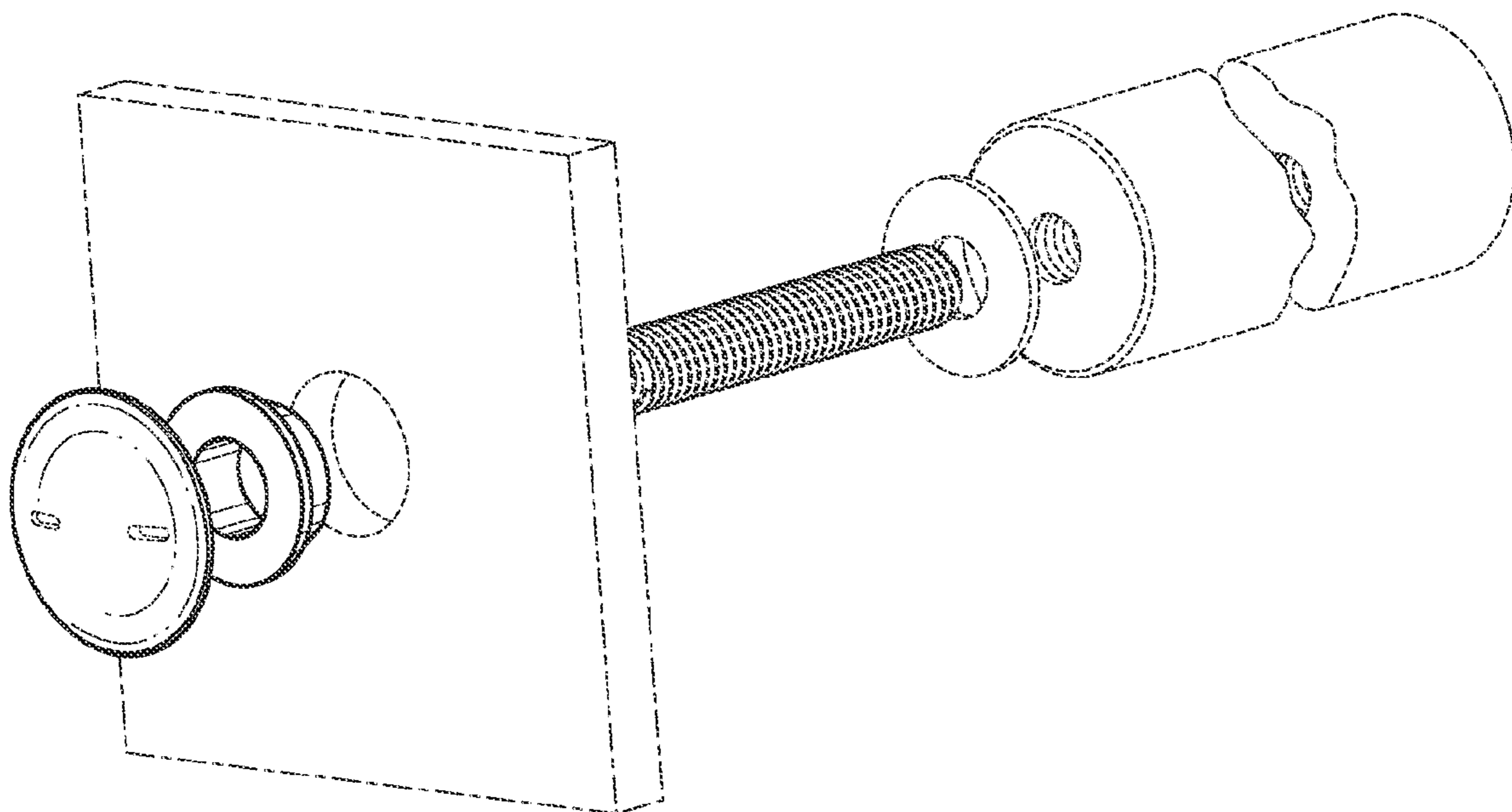
FIG. 6 is a frontal elevation view thereof;

FIG. 7 is a rear elevation view thereof; and,

FIG. 8 is a right elevation view thereof.

The broken lines showing bolts and attachment sleeves are for illustrative purposes only and form no part of the claimed design.

**1 Claim, 3 Drawing Sheets**



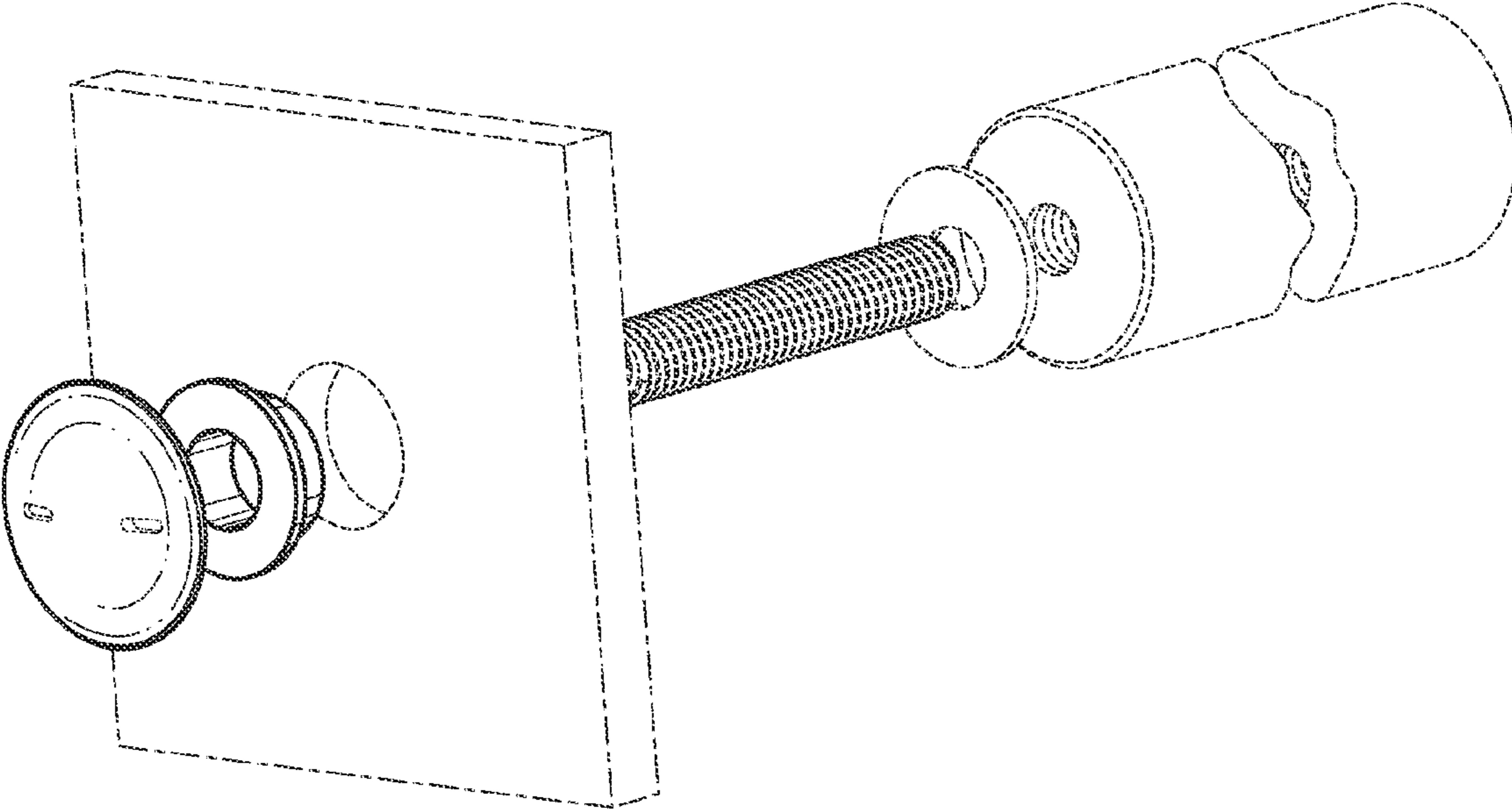


Figure 1

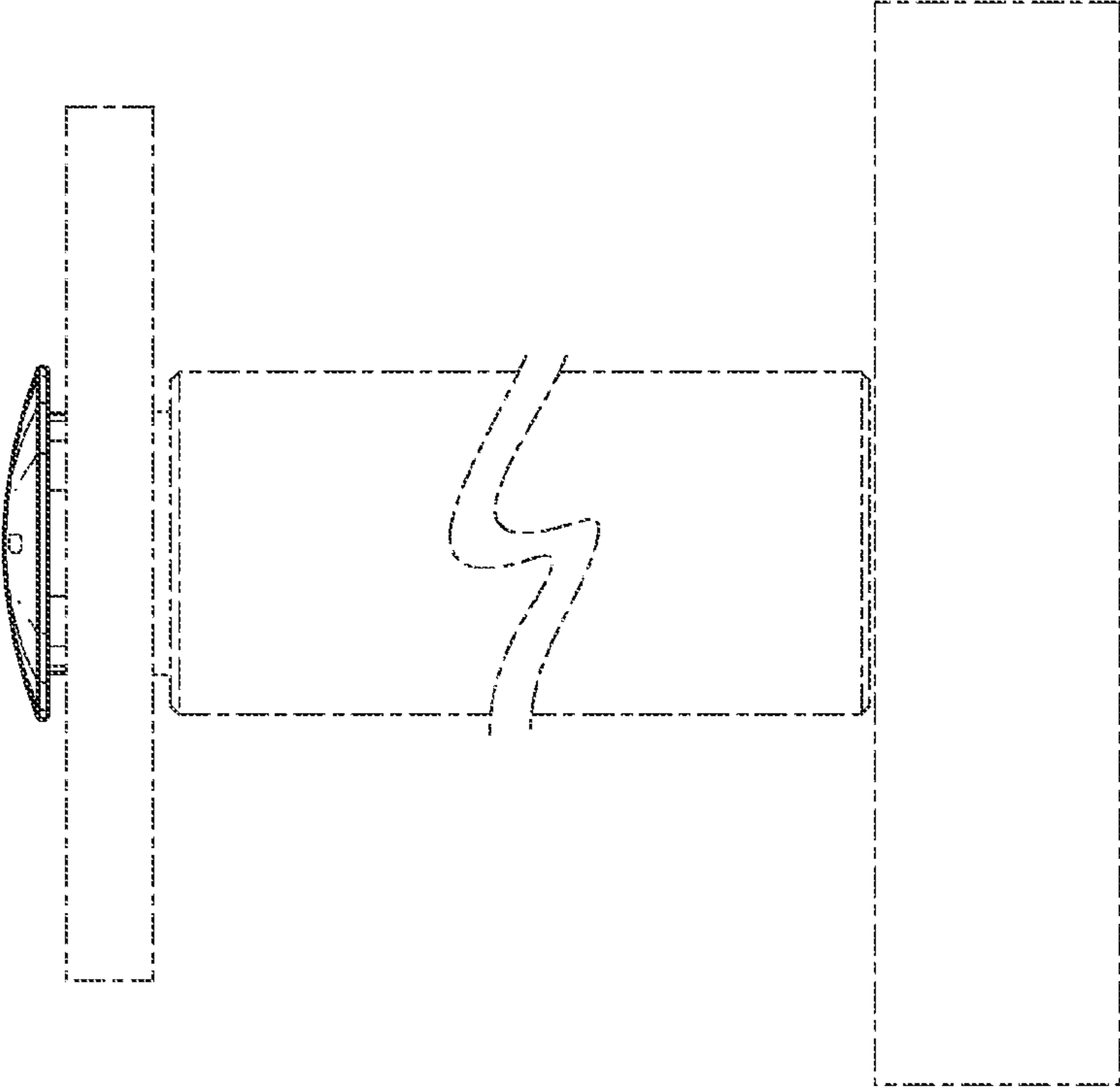
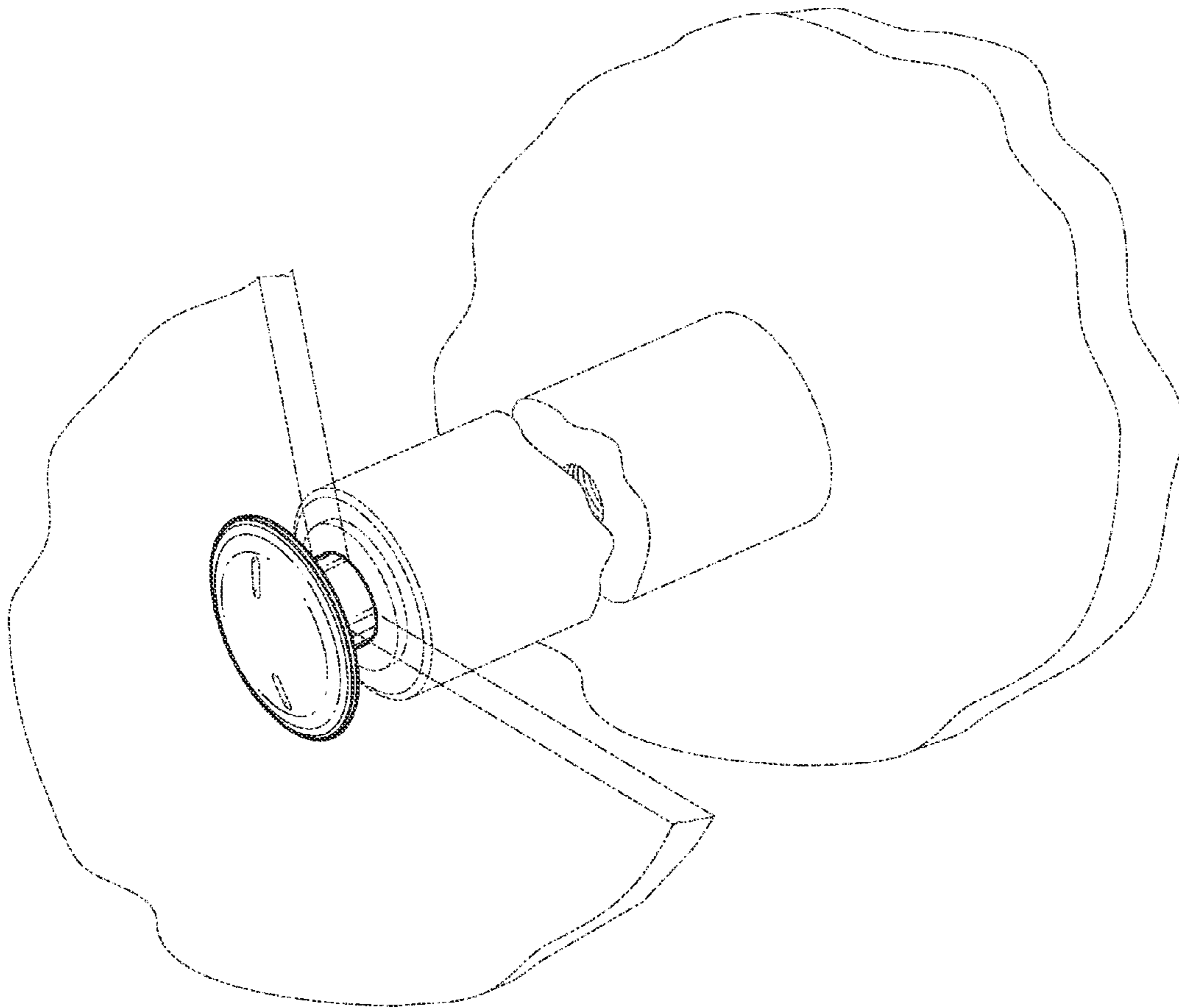
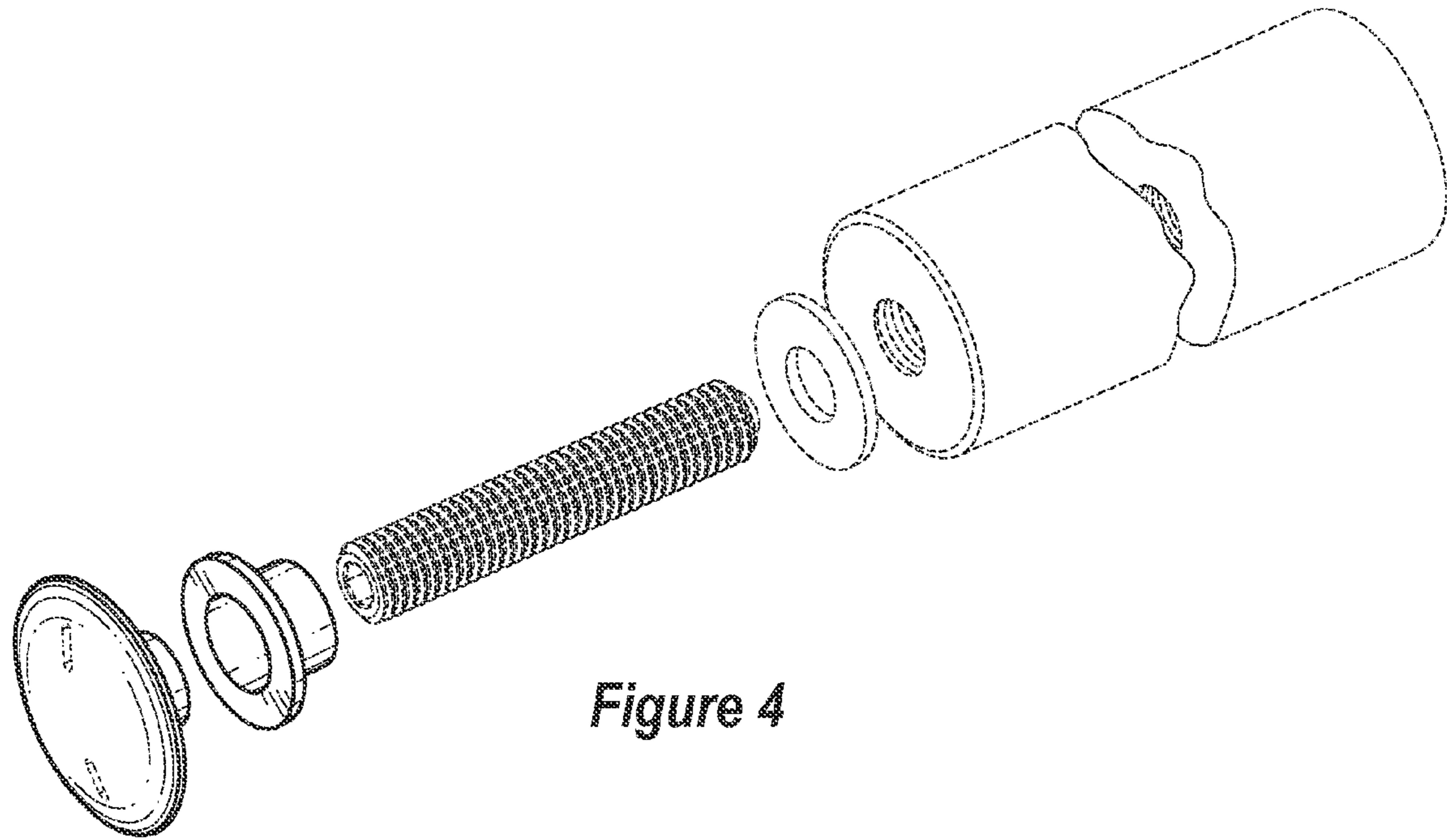


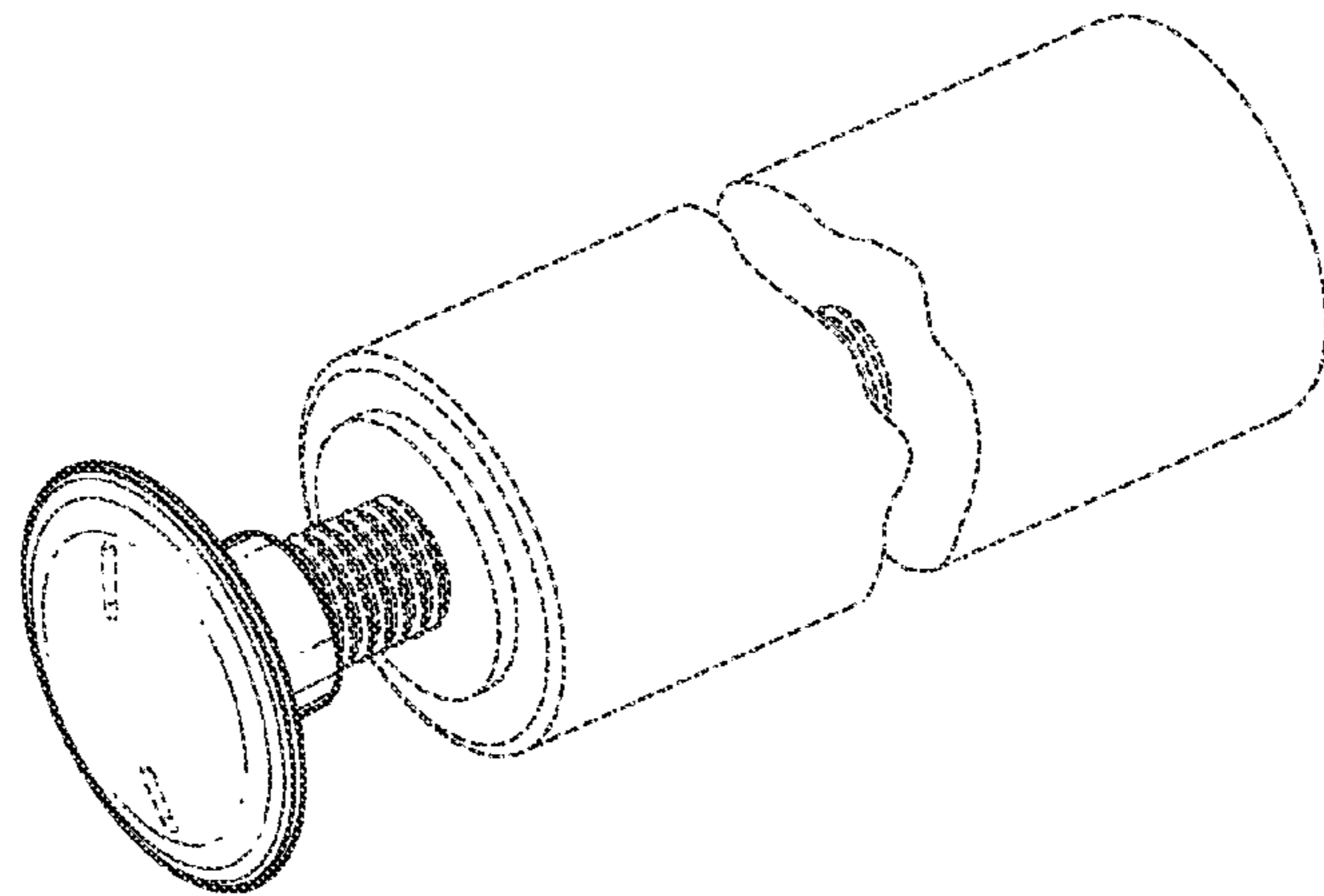
Figure 2



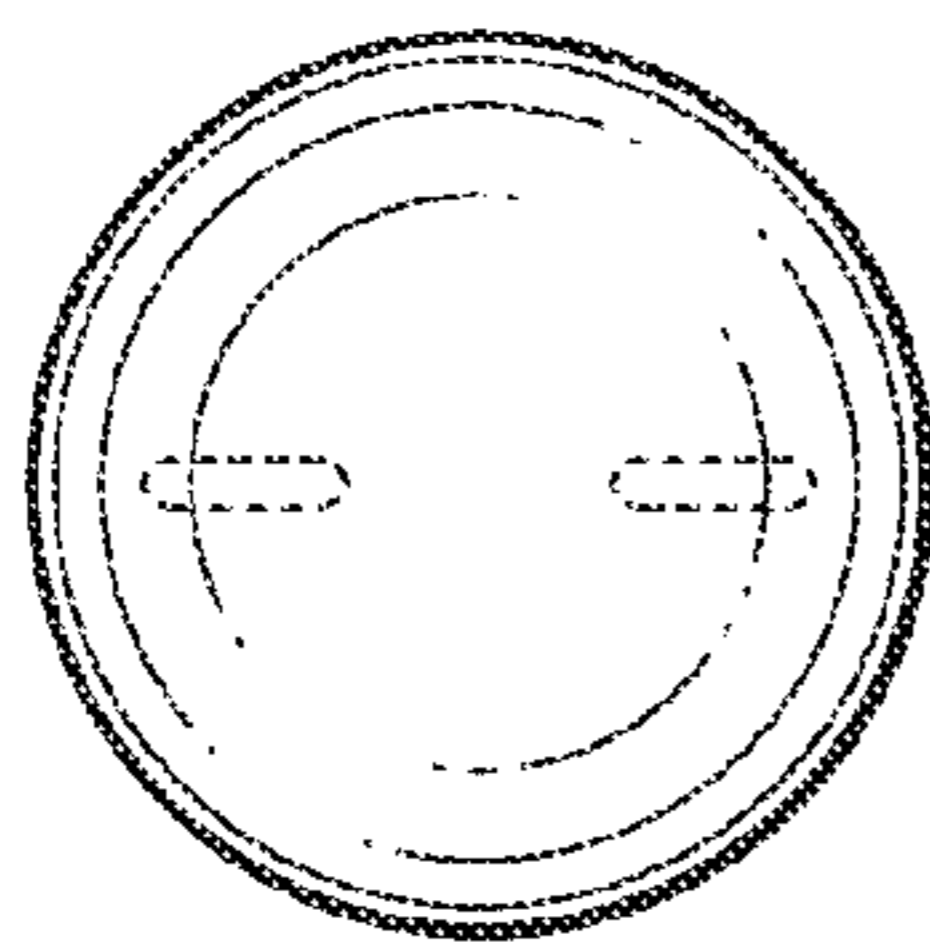
*Figure 3*



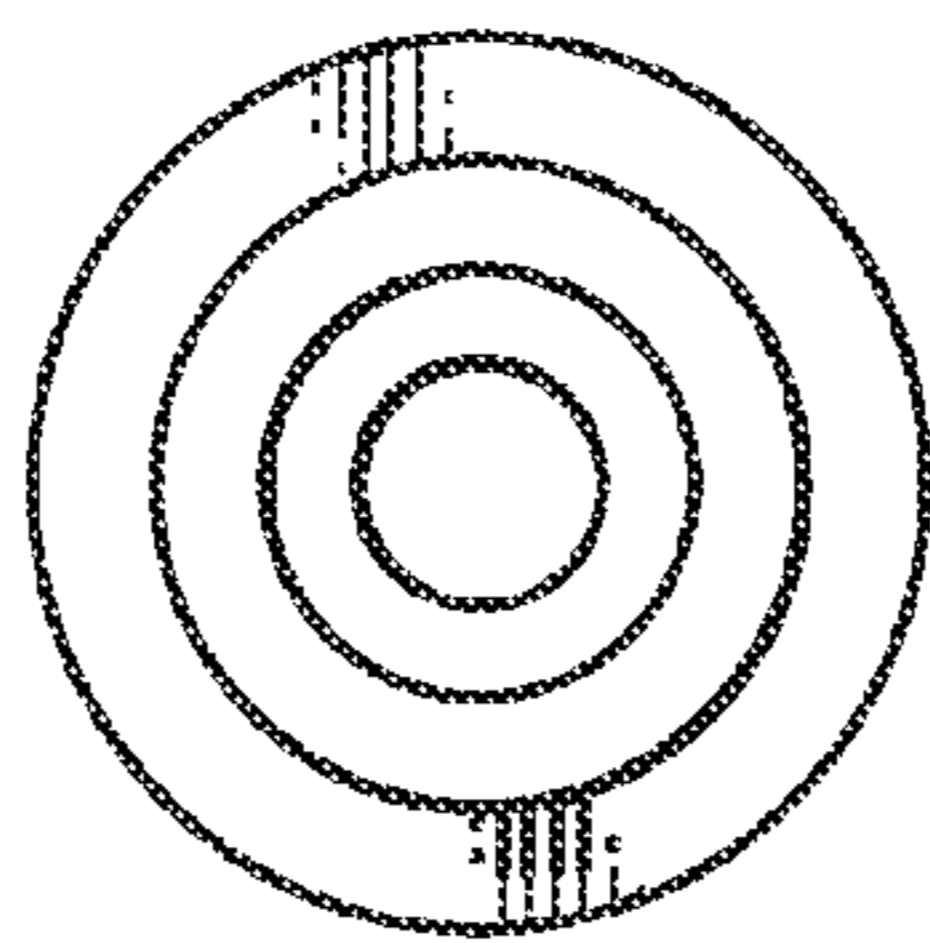
*Figure 4*



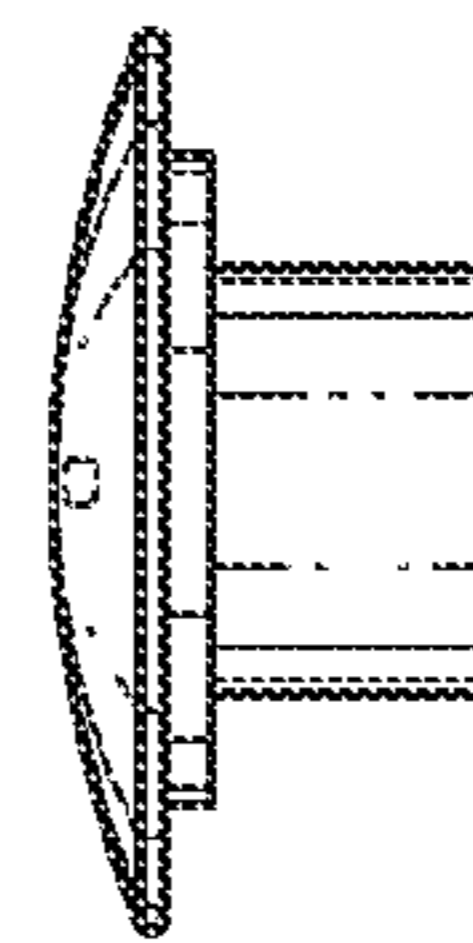
*Figure 5*



*Figure 6*



*Figure 7*



*Figure 8*