



US00D611798S

(12) **United States Design Patent**  
**Le**

(10) **Patent No.:** **US D611,798 S**  
(45) **Date of Patent:** **\*\* Mar. 16, 2010**

(54) **PADLOCKABLE L-HANDLE INCLUDING A KEY LOCK**

(75) Inventor: **Tam Le**, Santa Ana, CA (US)

(73) Assignee: **Sierra Pacific Engineering and Products**, Rancho Domingo, CA (US)

(\*\*) Term: **14 Years**

(21) Appl. No.: **29/314,166**

(22) Filed: **Mar. 9, 2009**

(51) **LOC (9) Cl.** ..... **08-07**

(52) **U.S. Cl.** ..... **D8/331**

(58) **Field of Classification Search** ..... D8/330,  
D8/331, 343, 300–303, 313; 70/14, 20, 31,  
70/51, 52, 205, 207, 210, 212, 218, 224  
See application file for complete search history.

(56) **References Cited**

U.S. PATENT DOCUMENTS

6,068,308	A *	5/2000	Molzer	.....	292/336.3
6,318,770	B1 *	11/2001	Molzer	.....	292/336.3
6,526,788	B2 *	3/2003	Finkelstein et al.	.....	70/129
6,733,050	B1 *	5/2004	Yao	.....	292/169
6,748,776	B2 *	6/2004	Bullock et al.	.....	70/212
D502,859	S *	3/2005	Peng et al.	.....	D8/331
6,935,149	B1 *	8/2005	Peng et al.	.....	70/472

D529,783	S *	10/2006	Corcino	.....	D8/301
D545,172	S *	6/2007	Kaiser et al.	.....	D8/331
D570,188	S *	6/2008	Luo	.....	D8/330
D581,245	S *	11/2008	Conway	.....	D8/330
D581,246	S *	11/2008	Conway	.....	D8/330

\* cited by examiner

*Primary Examiner*—Prabhakar Deshmukh

(57) **CLAIM**

I claim the ornamental design for a padlockable L-handle including a key lock, as shown and described.

**DESCRIPTION**

FIG. 1 is a right front perspective view of the padlockable L-handle including a key lock;

FIG. 2 is a front elevational view;

FIG. 3 is a rear elevational view;

FIG. 4 is a top plan view;

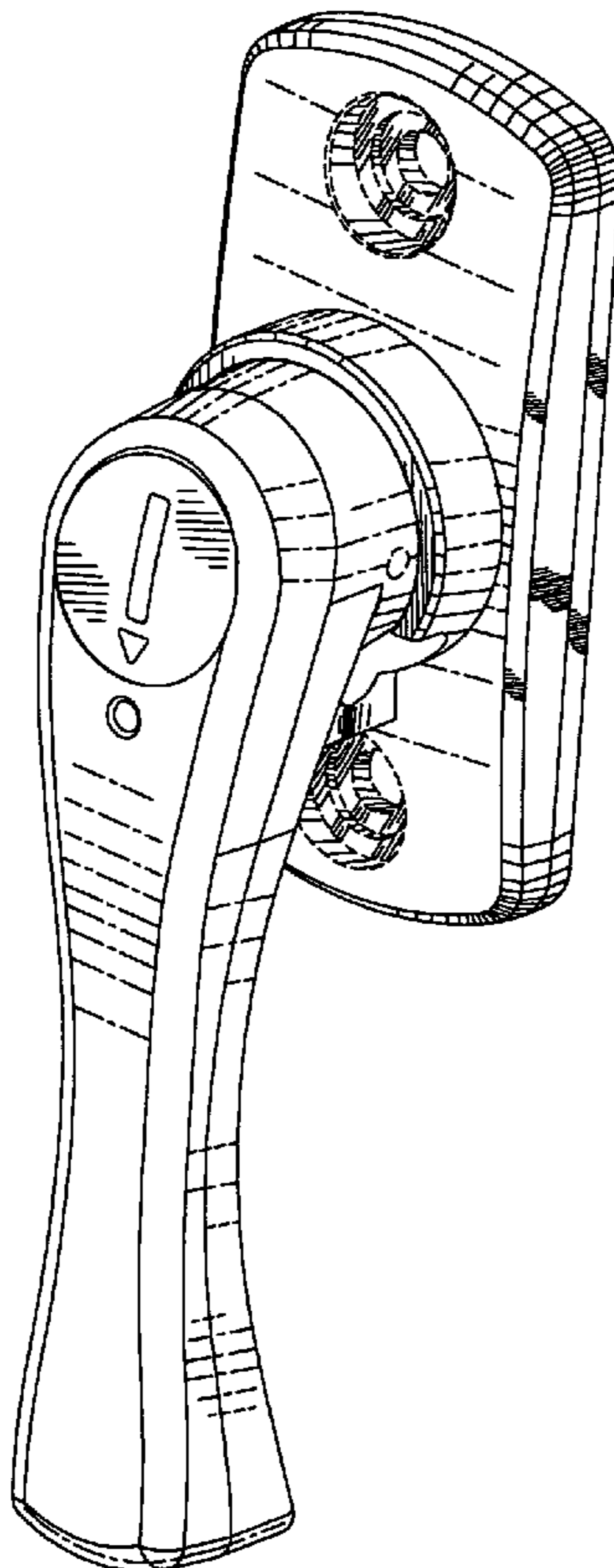
FIG. 5 is a bottom plan view;

FIG. 6 is a right side elevational view; and,

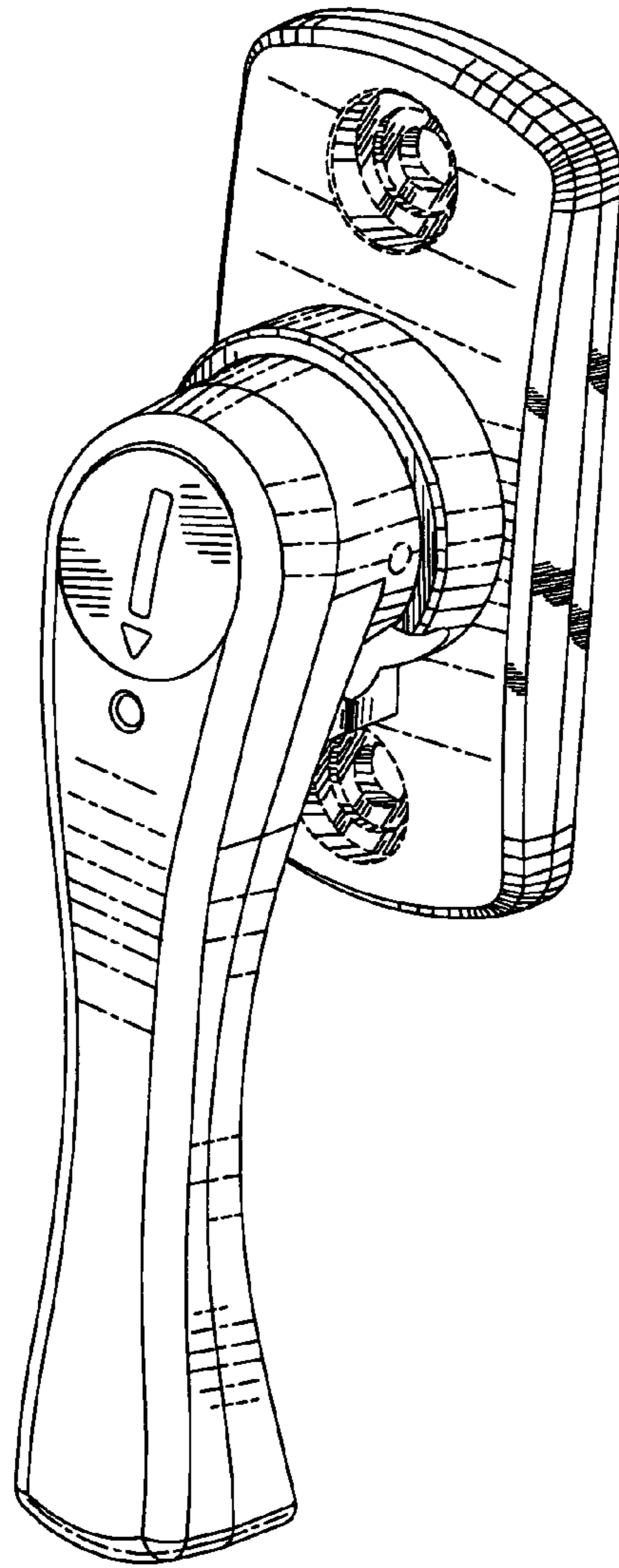
FIG. 7 is a left side elevational view.

Thus broken lines appearing in the drawing figures are for illustrative purposes only and form no part of the disclosed ornamental design.

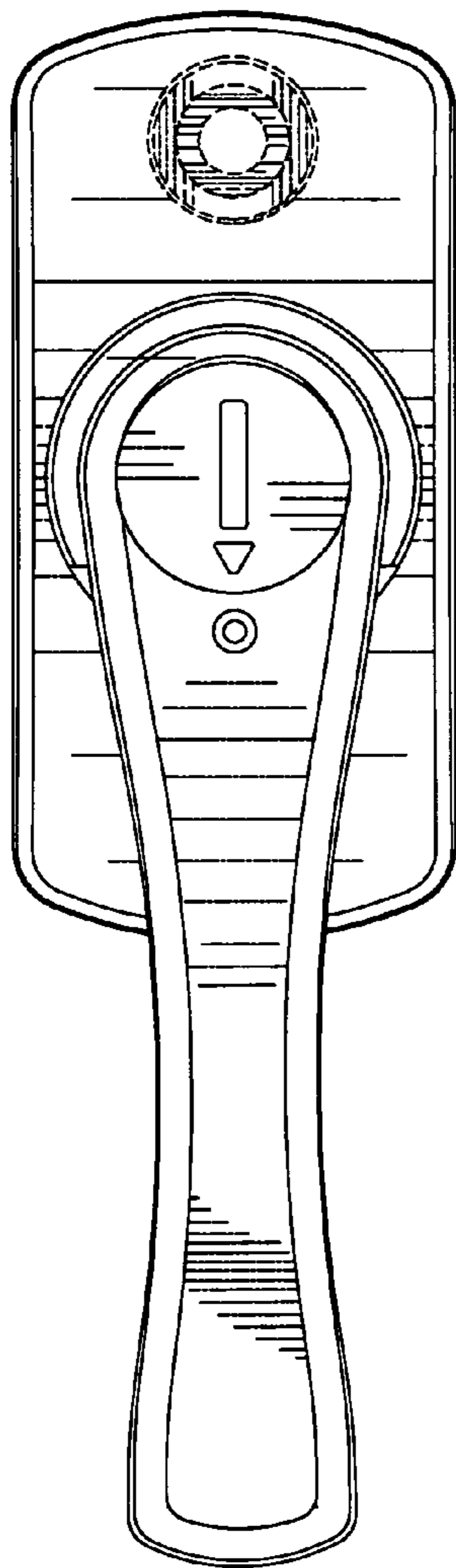
**1 Claim, 4 Drawing Sheets**



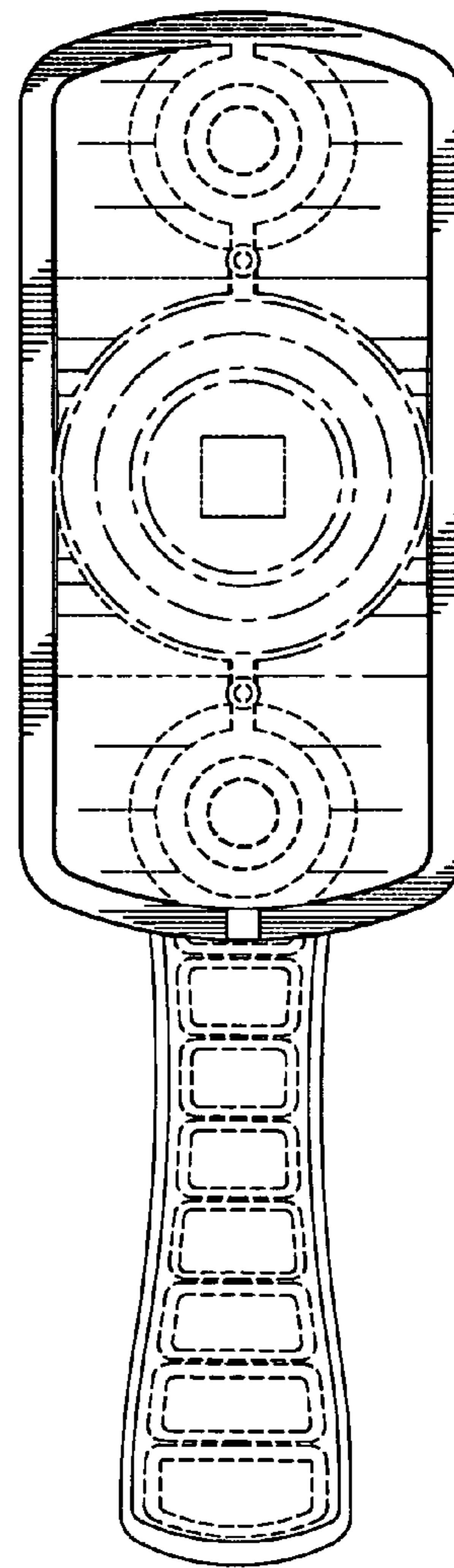
***FIG. 1***



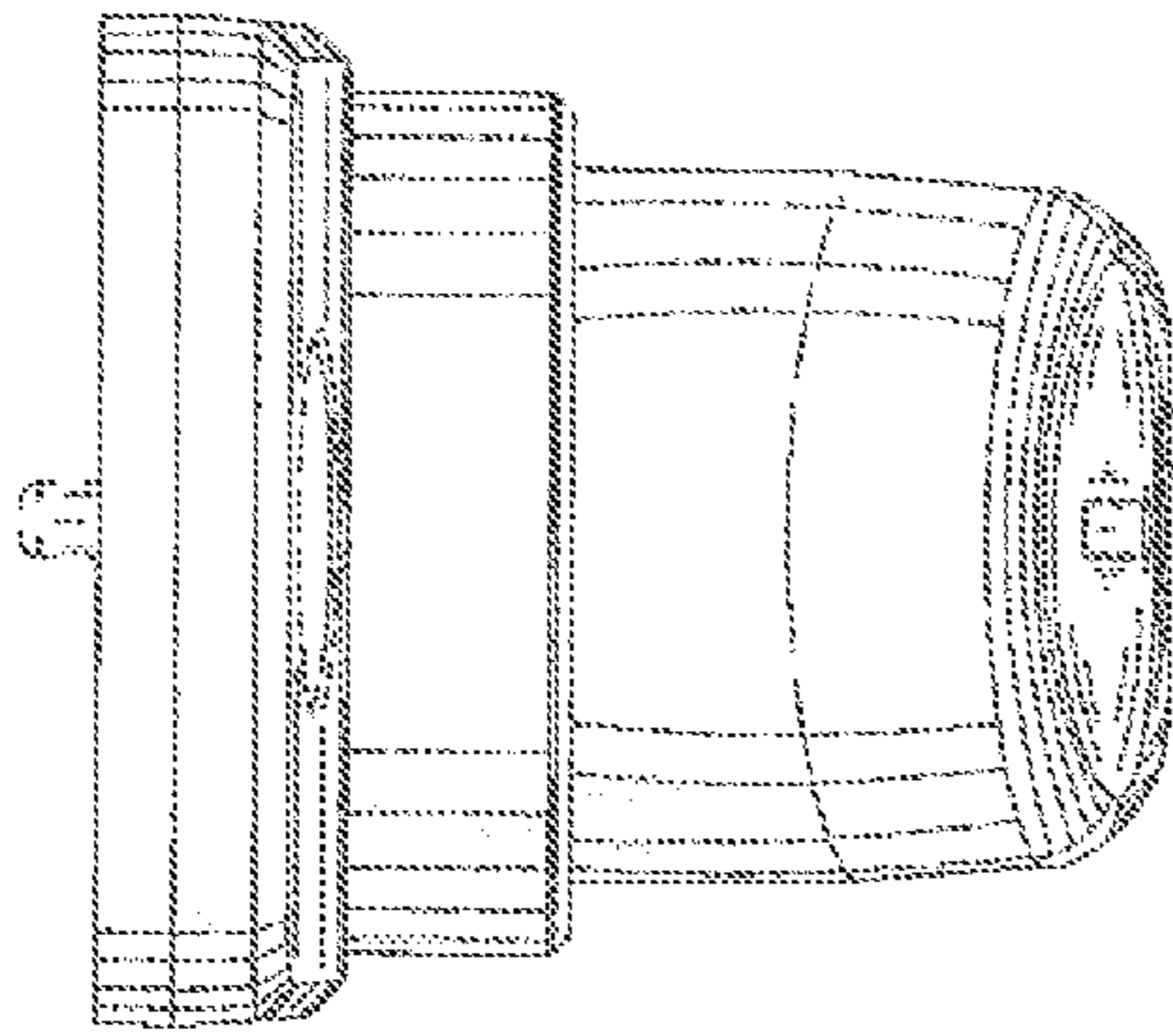
**FIG. 2**



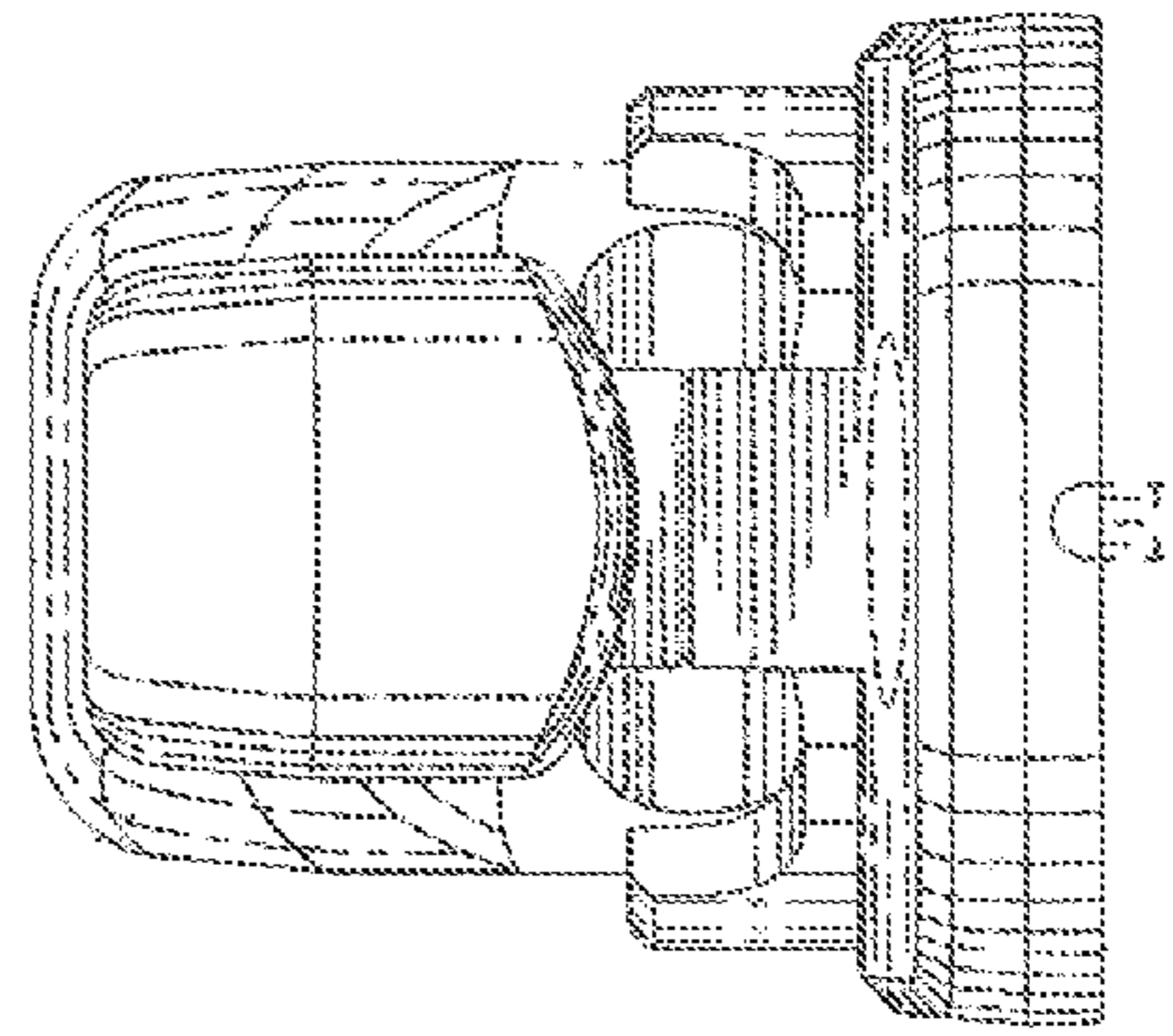
**FIG. 3**



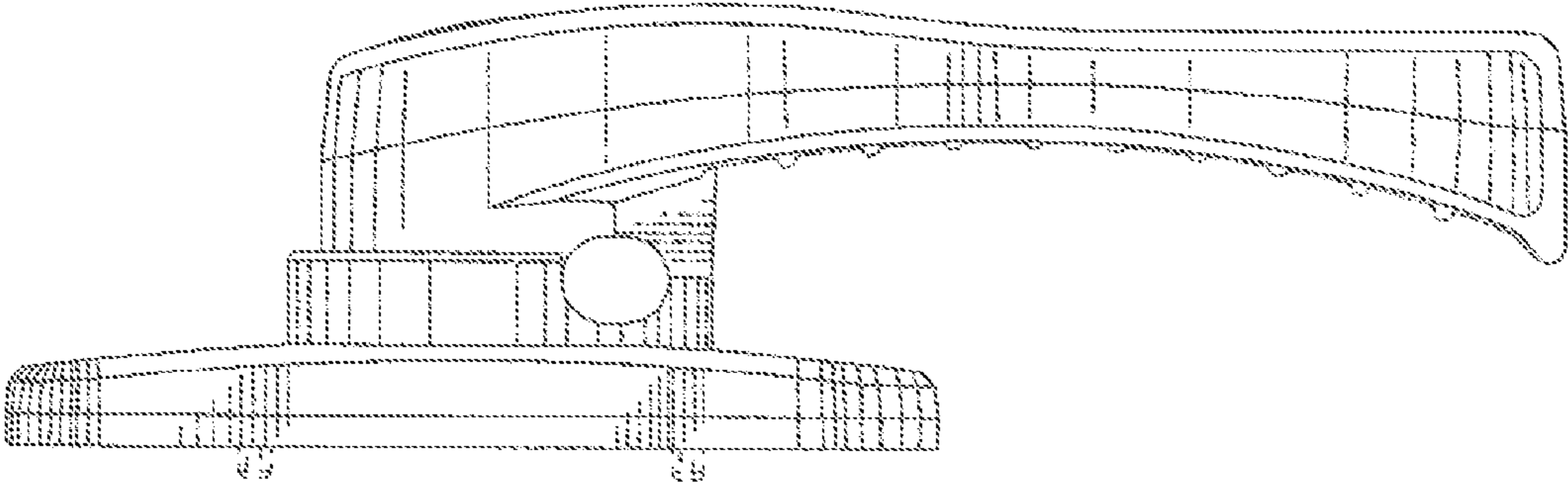
**FIG. 4**



**FIG. 5**



**FIG. 7**



**FIG. 6**

