



US00D611796S

(12) **United States Design Patent**
Davidson

(10) **Patent No.:** **US D611,796 S**
(45) **Date of Patent:** **** Mar. 16, 2010**

(54) **HAMMER**

7,350,440 B2 * 4/2008 Casolco 81/20
7,467,572 B2 * 12/2008 Fisher et al. 81/25

(75) Inventor: **James D. Davidson**, St. Charles, IL (US)

(73) Assignee: **Sears Brands, L.L.C.**, Hoffman Estates, IL (US)

(**) Term: **14 Years**

(21) Appl. No.: **29/325,191**

(22) Filed: **Sep. 26, 2008**

(51) **LOC (9) Cl.** **08-02**

(52) **U.S. Cl.** **D8/75**

(58) **Field of Classification Search** D8/75,
D8/76, 77, 78, 79, 80, 81; 81/20, 21, 22,
81/23; 7/144, 145, 146

See application file for complete search history.

(56) **References Cited**

U.S. PATENT DOCUMENTS

D93,990	S	*	12/1934	McKnight	D8/81
2,501,757	A	*	3/1950	Cagle	7/145
4,268,927	A	*	5/1981	Bridwell	7/143
D303,208	S	*	9/1989	Chung	D8/81
5,119,521	A	*	6/1992	Clontz	7/164
D375,033	S	*	10/1996	Edwards	D8/75
5,826,466	A	*	10/1998	Weissbach	81/26
D517,888	S	*	3/2006	DeBoer et al.	D8/81

OTHER PUBLICATIONS

Roy E. Davis & Company Catalog, 1982, p. 286, Stanley "Nail Hammer" at bottom of page in center column.*

* cited by examiner

Primary Examiner—Philip S Hyder
Assistant Examiner—Roselynn Cody

(74) *Attorney, Agent, or Firm*—Eric J. Maiers; Greenberg Traurig, LLP

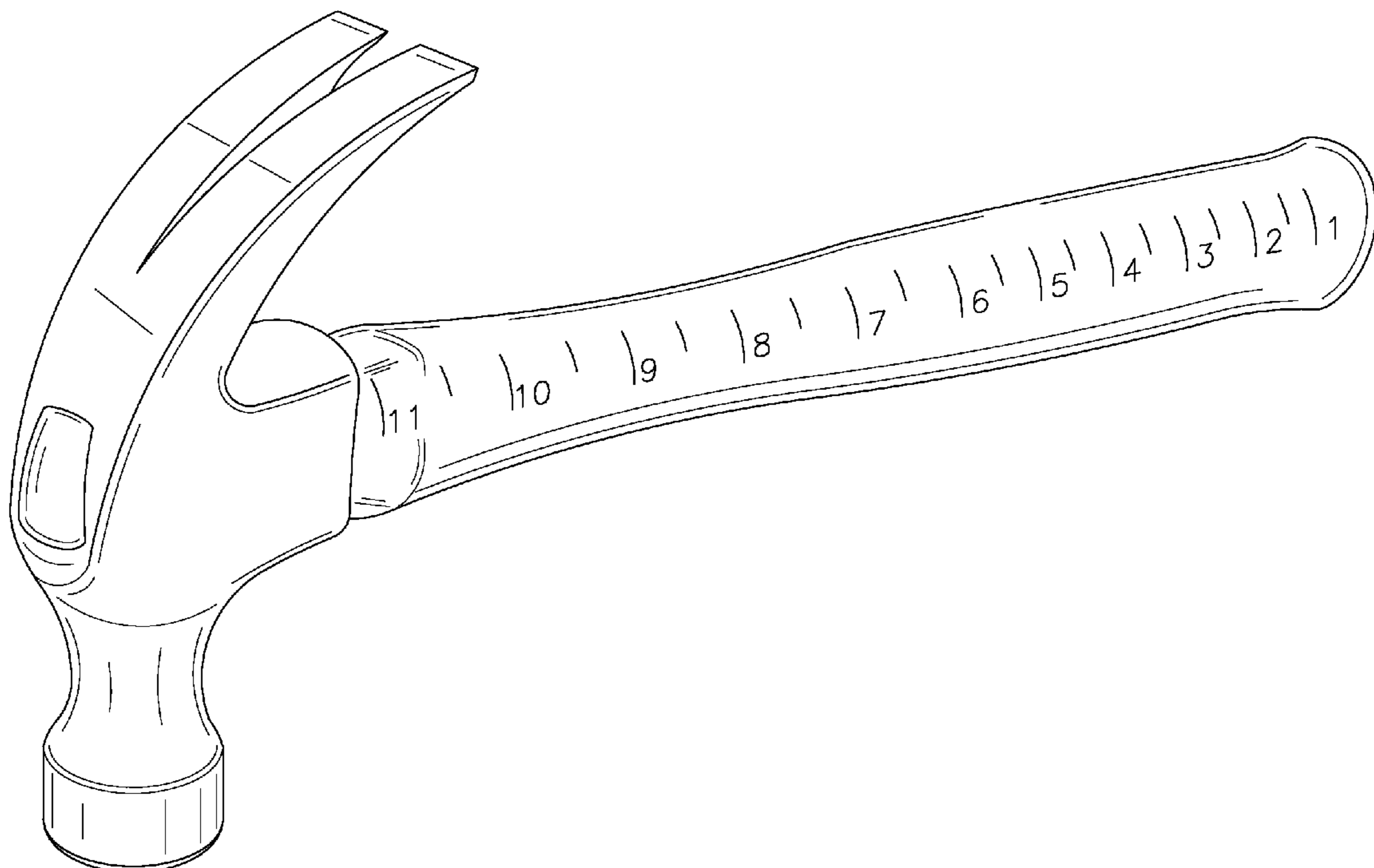
(57) **CLAIM**

What is claimed is the ornamental design for a hammer, as shown and described.

DESCRIPTION

FIG. 1 is an isometric view of a hammer;
FIG. 2 is a first side-view of the hammer;
FIG. 3 is a second side-view of the hammer;
FIG. 4 is a first end-view of the hammer;
FIG. 5 is a second end-view of the hammer;
FIG. 6 is a bottom view of the hammer; and,
FIG. 7 is a top view of the hammer.

1 Claim, 5 Drawing Sheets



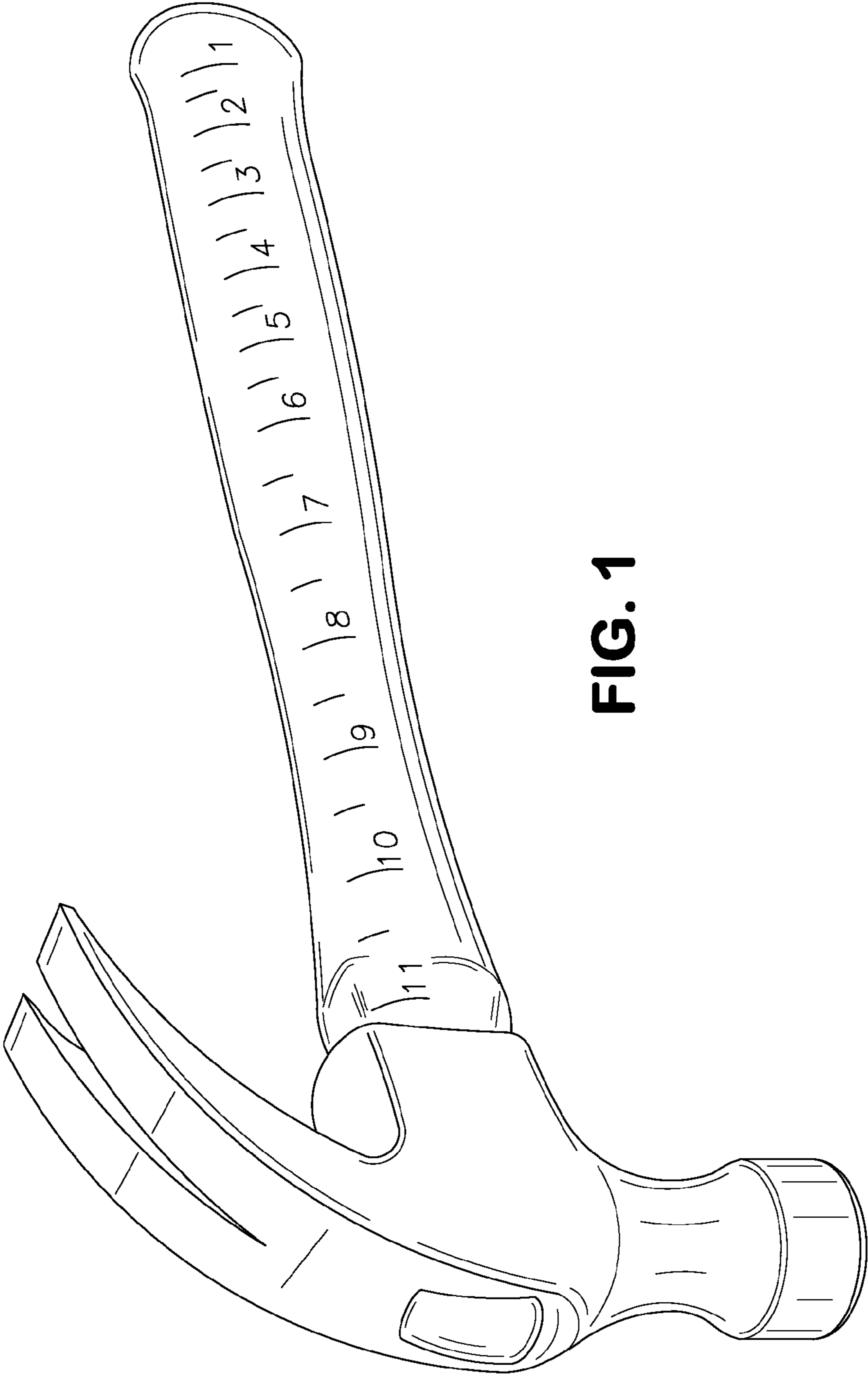


FIG. 1

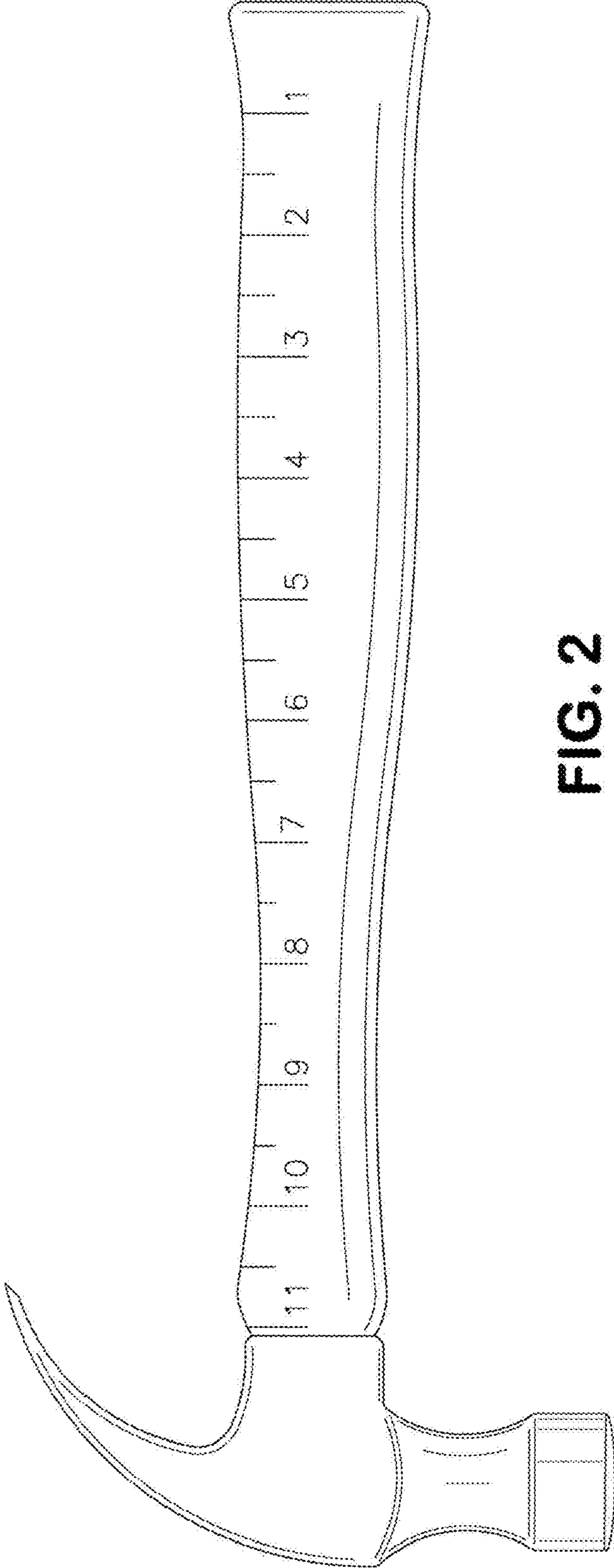


FIG. 2

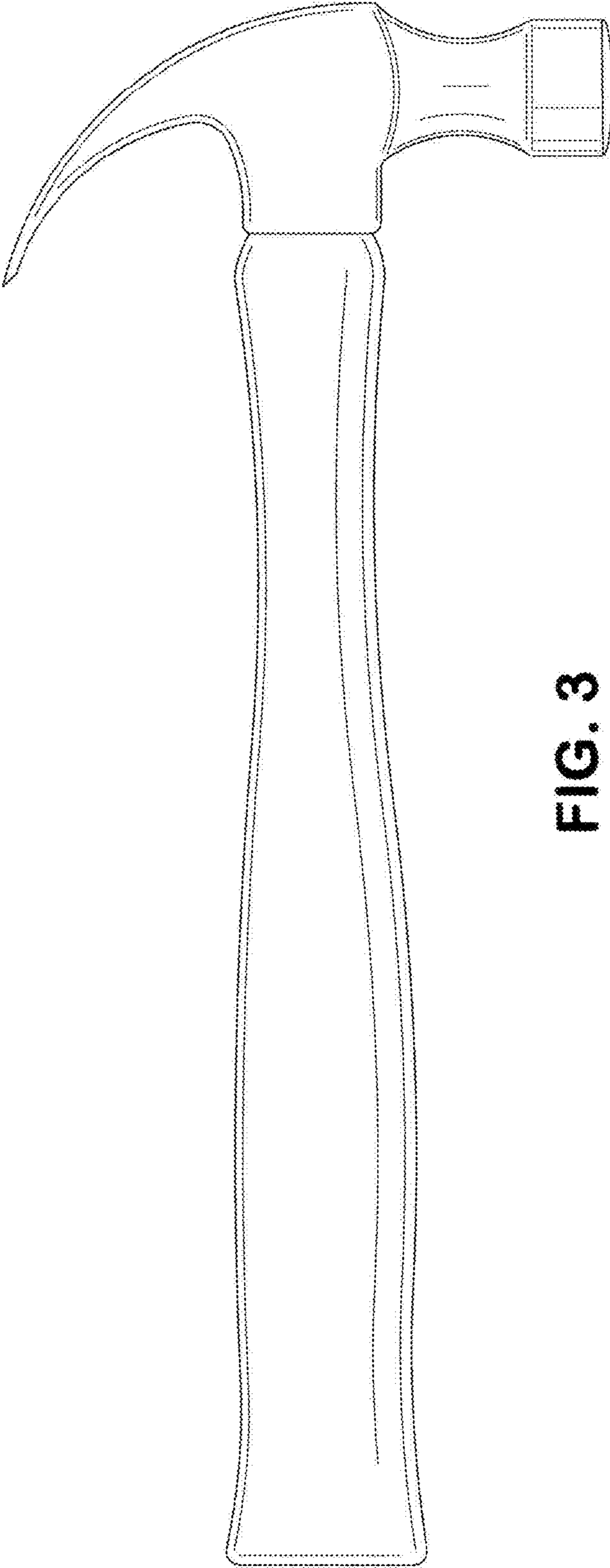


FIG. 3

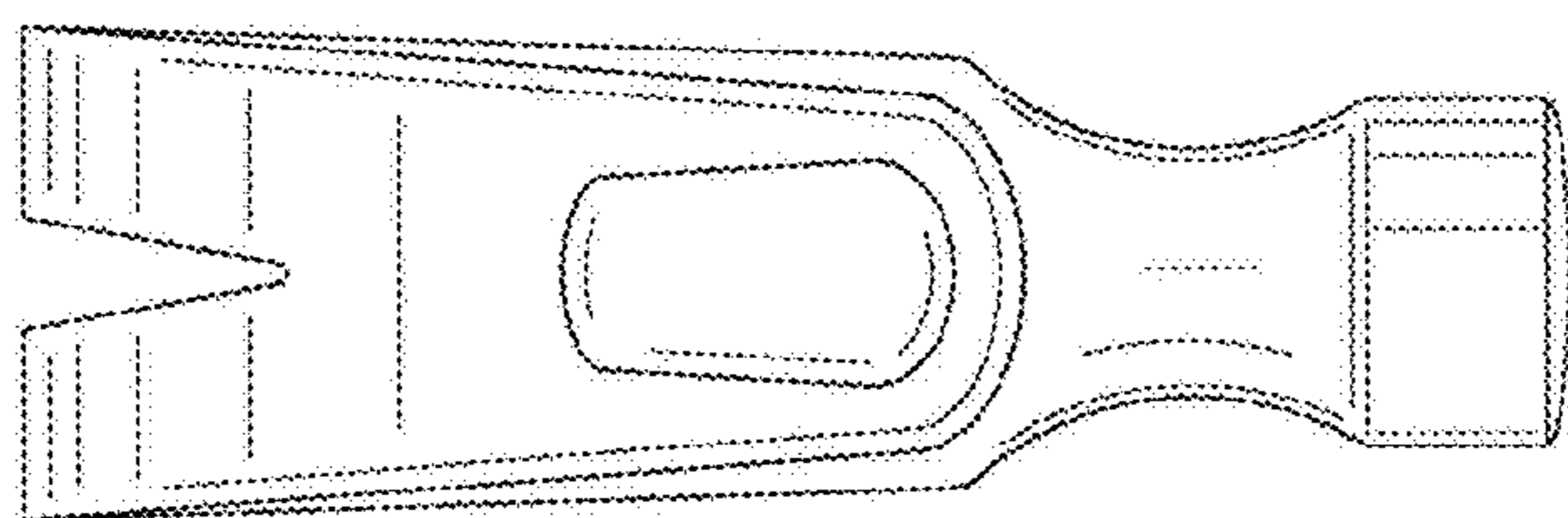


FIG. 5

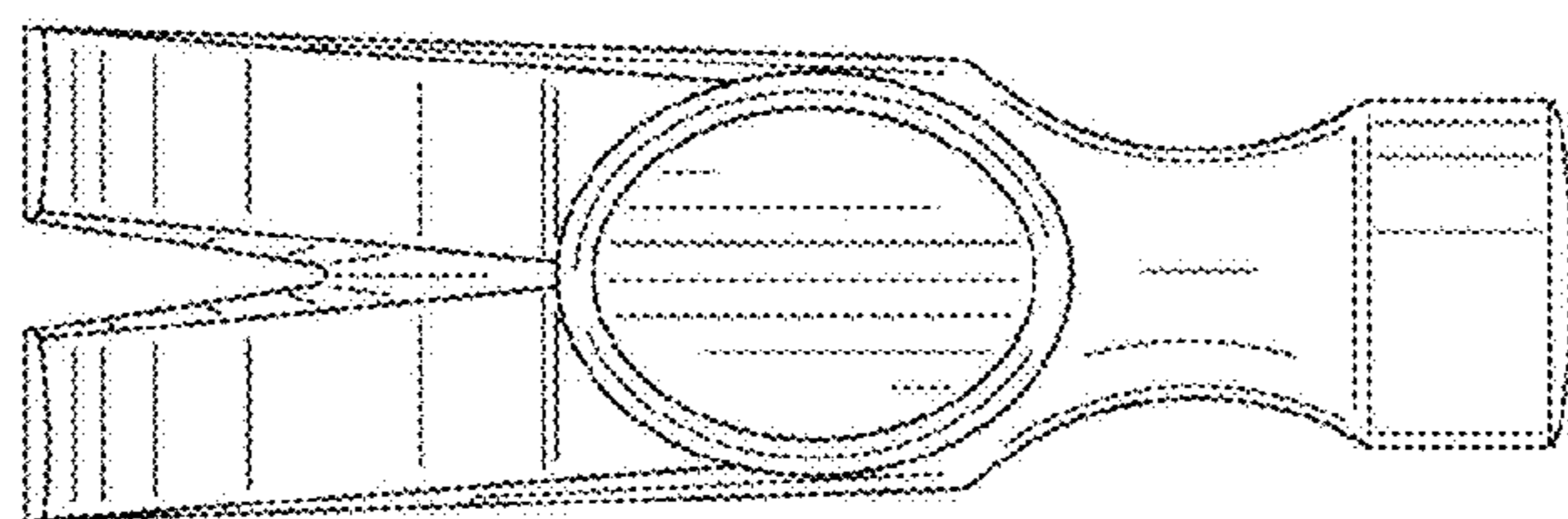


FIG. 4

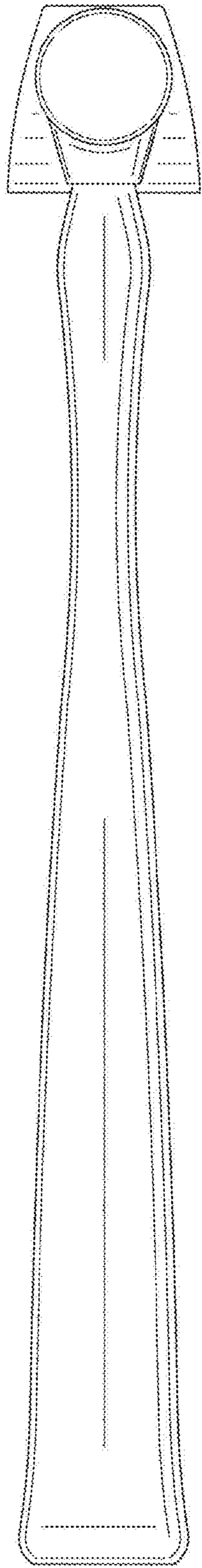


FIG. 6

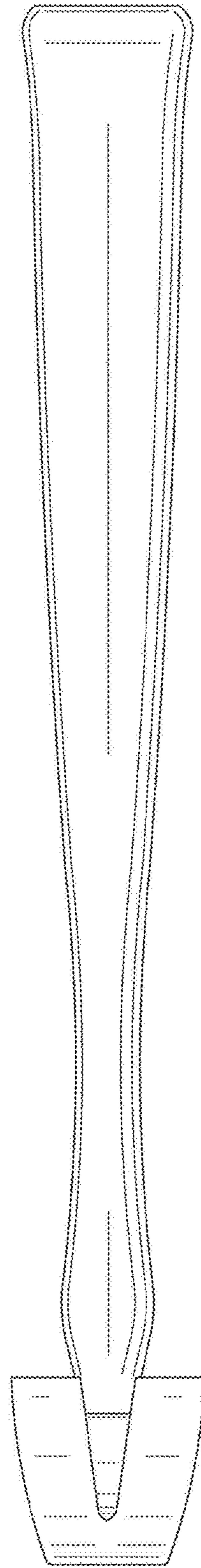


FIG. 7