



US00D611795S

(12) **United States Design Patent**
Misaki

(10) **Patent No.:** **US D611,795 S**
(45) **Date of Patent:** **** Mar. 16, 2010**

(54) **PORTABLE ELECTRIC SANDER**

(75) Inventor: **Shingo Misaki, Anjo (JP)**

(73) Assignee: **Makita Corporation, Anjo (JP)**

(**) Term: **14 Years**

(21) Appl. No.: **29/322,015**

(22) Filed: **Jul. 28, 2008**

(30) **Foreign Application Priority Data**

Feb. 5, 2008 (JP) 2008-002350

(51) **LOC (9) Cl.** **08-01**

(52) **U.S. Cl.** **D8/62; D8/68**

(58) **Field of Classification Search** D32/15,
D32/17, 19; D8/67, 62, 61; D4/102; 451/456,
451/451, 359, 358, 357, 356, 355, 354, 353,
451/351, 344; 310/50; 173/170

See application file for complete search history.

(56) **References Cited**

U.S. PATENT DOCUMENTS

D200,588 S *	3/1965	Brown	D8/62
D202,640 S *	10/1965	Brown	D8/62
D204,772 S *	5/1966	Browm	D8/62
D357,849 S *	5/1995	Izumisawa	D8/62
D381,570 S *	7/1997	Sung	D8/62
D385,765 S *	11/1997	Sung	D8/62
D405,334 S *	2/1999	Sung	D8/62
D430,995 S *	9/2000	Izumisawa	D8/62

D452,638 S *	1/2002	Chen	D8/62
D452,805 S *	1/2002	Chen	D8/62
D459,643 S *	7/2002	Morgan	D8/68
D488,595 S *	4/2004	Sun	D32/15
D515,895 S *	2/2006	Chen	D8/68
D525,752 S *	7/2006	Bakker	D32/19
D538,125 S *	3/2007	Pan	D8/68

FOREIGN PATENT DOCUMENTS

JP S 27-44 7/1980

* cited by examiner

Primary Examiner—Cathron C Brooks

Assistant Examiner—Austin Murphy

(74) *Attorney, Agent, or Firm*—Olliff & Berridge, PLC

(57) **CLAIM**

The ornamental design for a portable electric sander, as shown and described.

DESCRIPTION

FIG. 1 is a perspective view of top, front and left side of a portable electric sander showing my new design;

FIG. 2 is a front view thereof;

FIG. 3 is a rear view thereof;

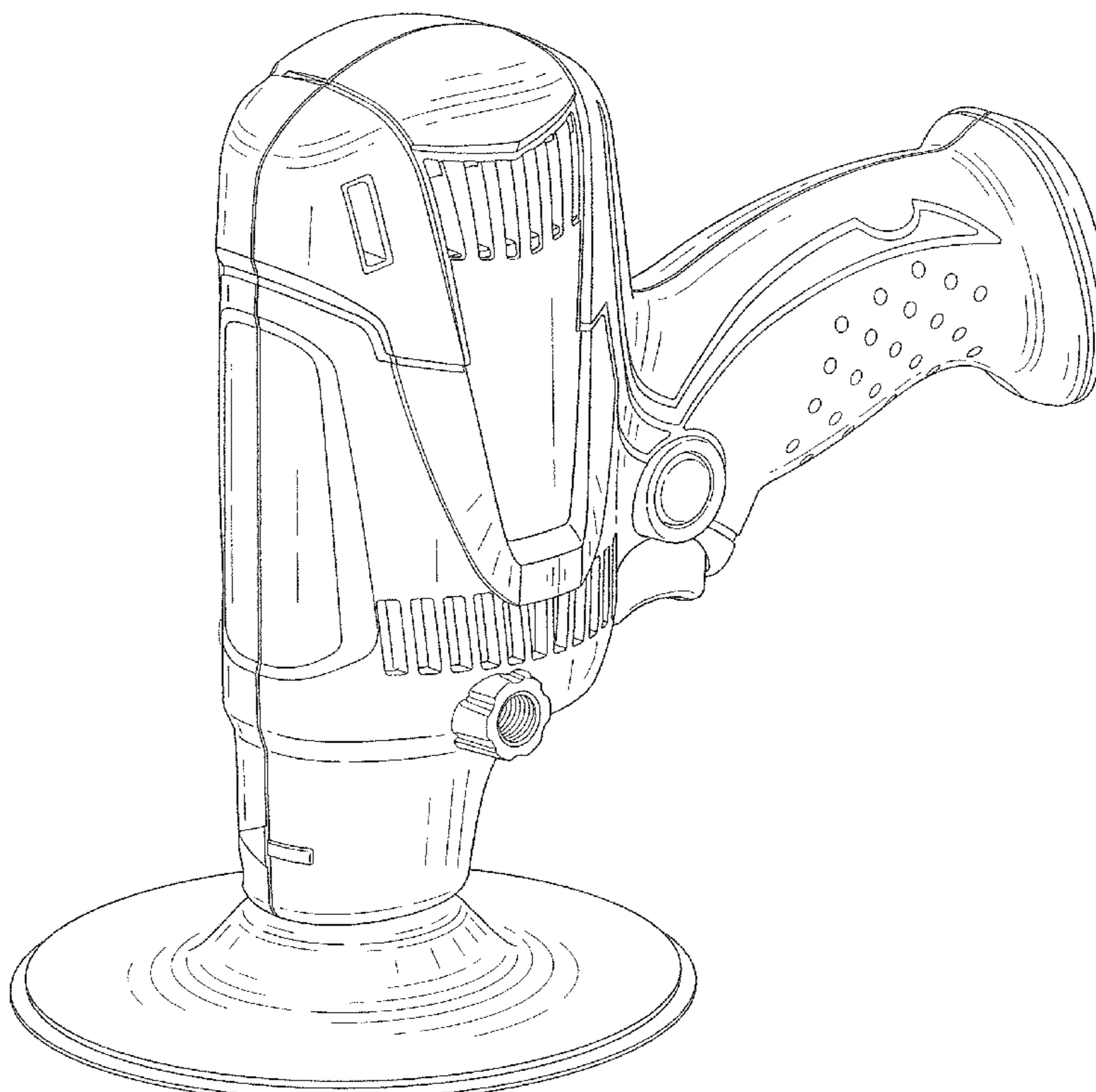
FIG. 4 is a top plan view thereof;

FIG. 5 is a bottom view thereof;

FIG. 6 is a left side view thereof; and,

FIG. 7 is a right side view thereof.

1 Claim, 7 Drawing Sheets



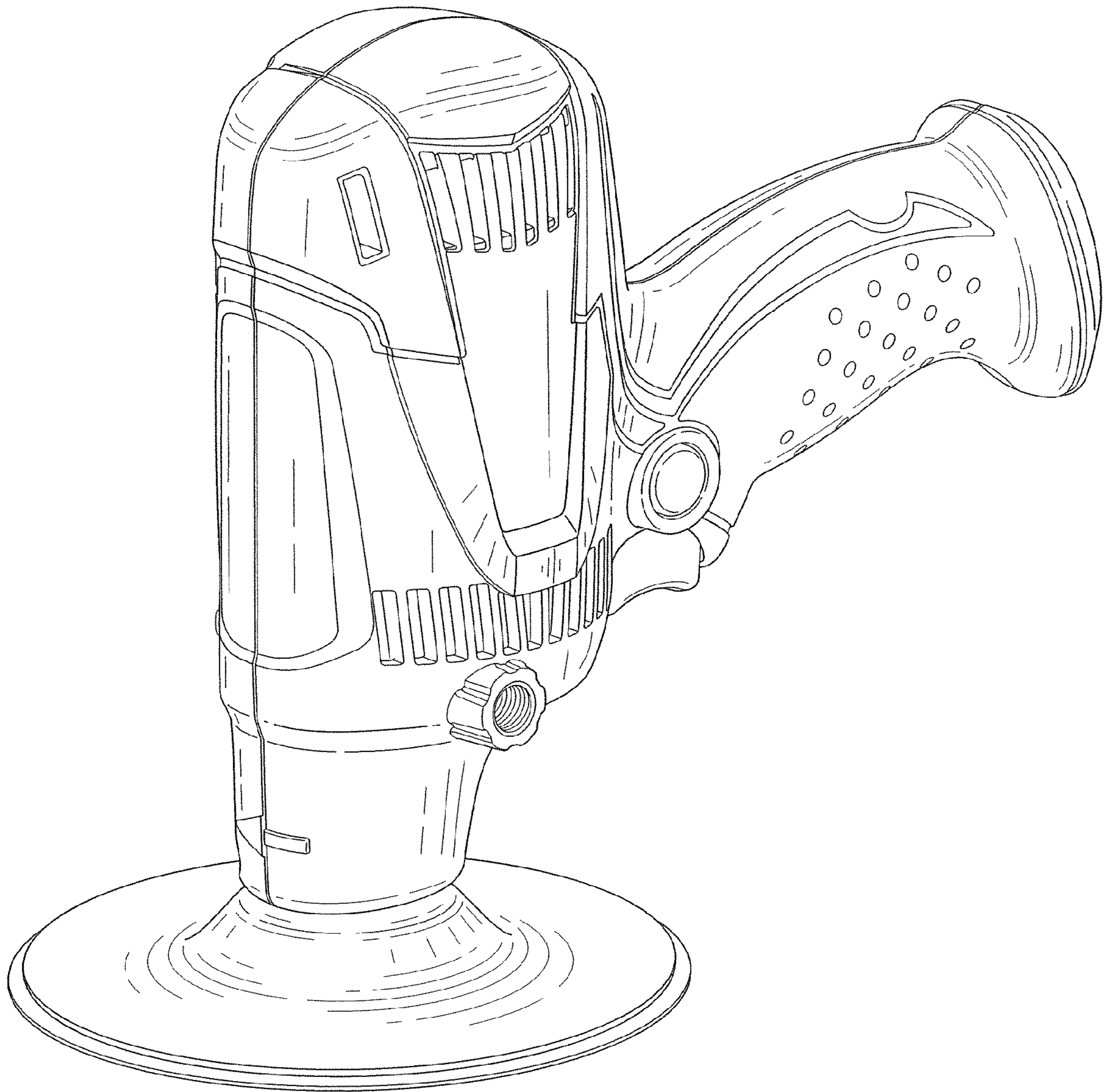


FIG. 1

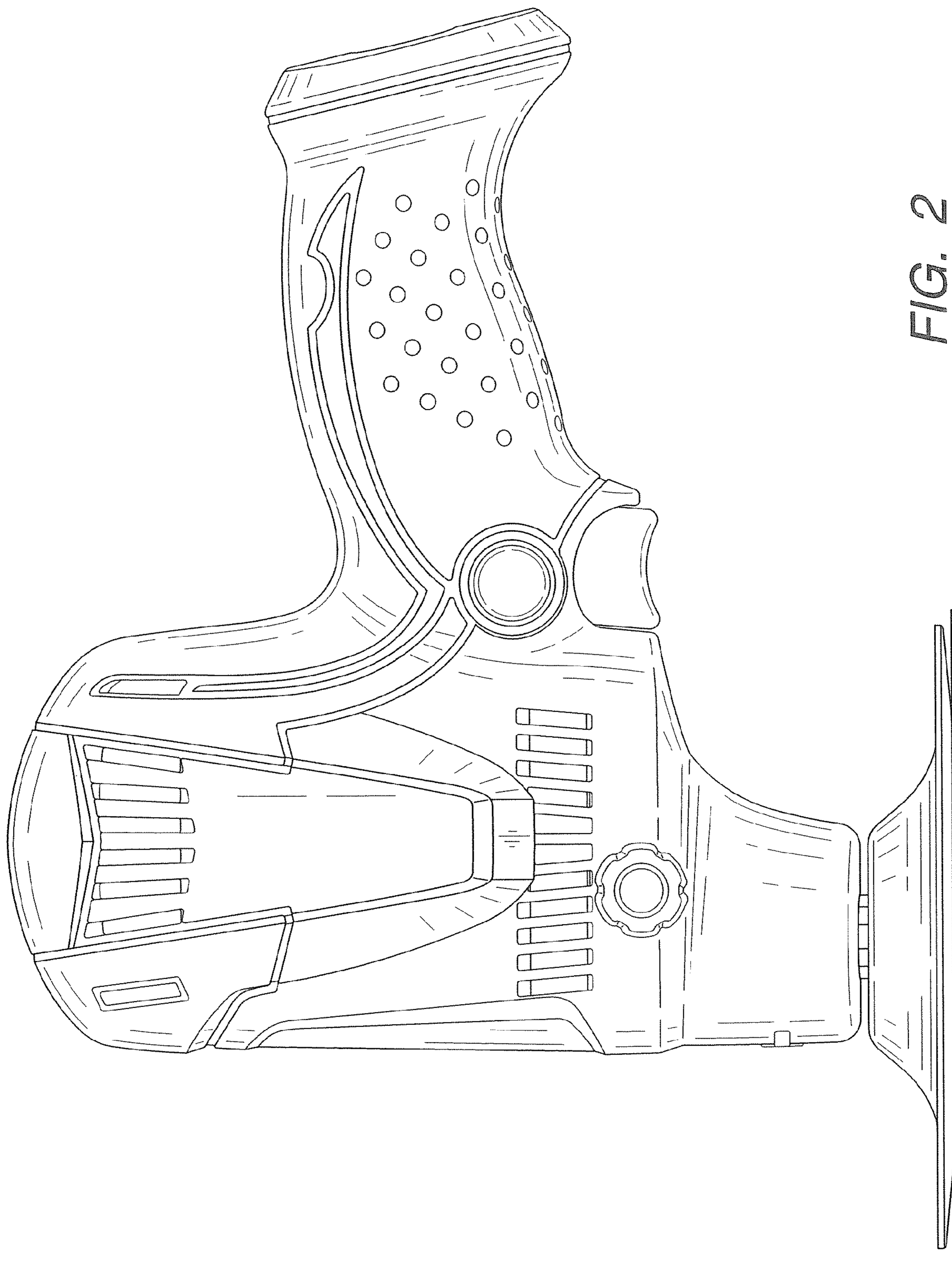


FIG. 2

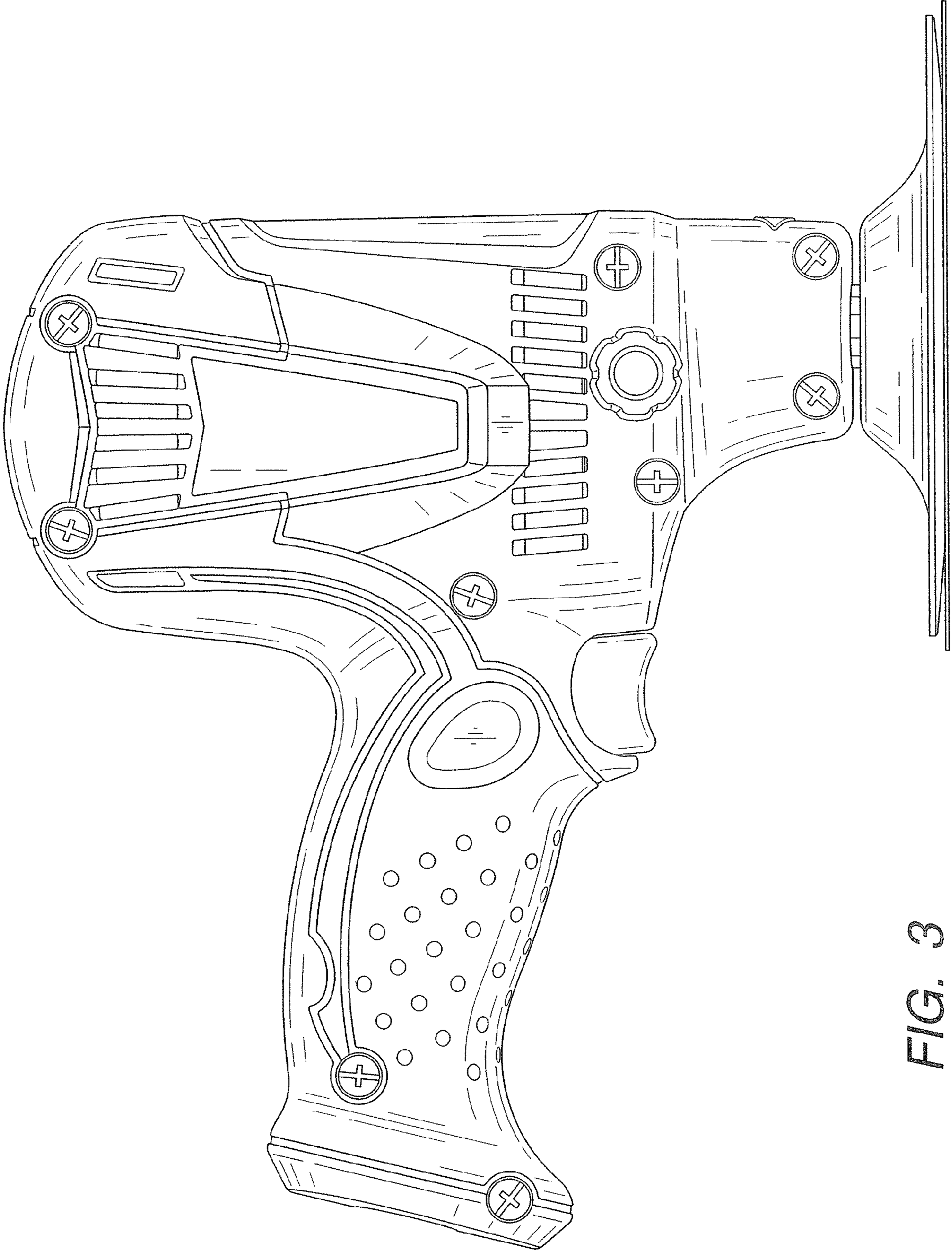


FIG. 3

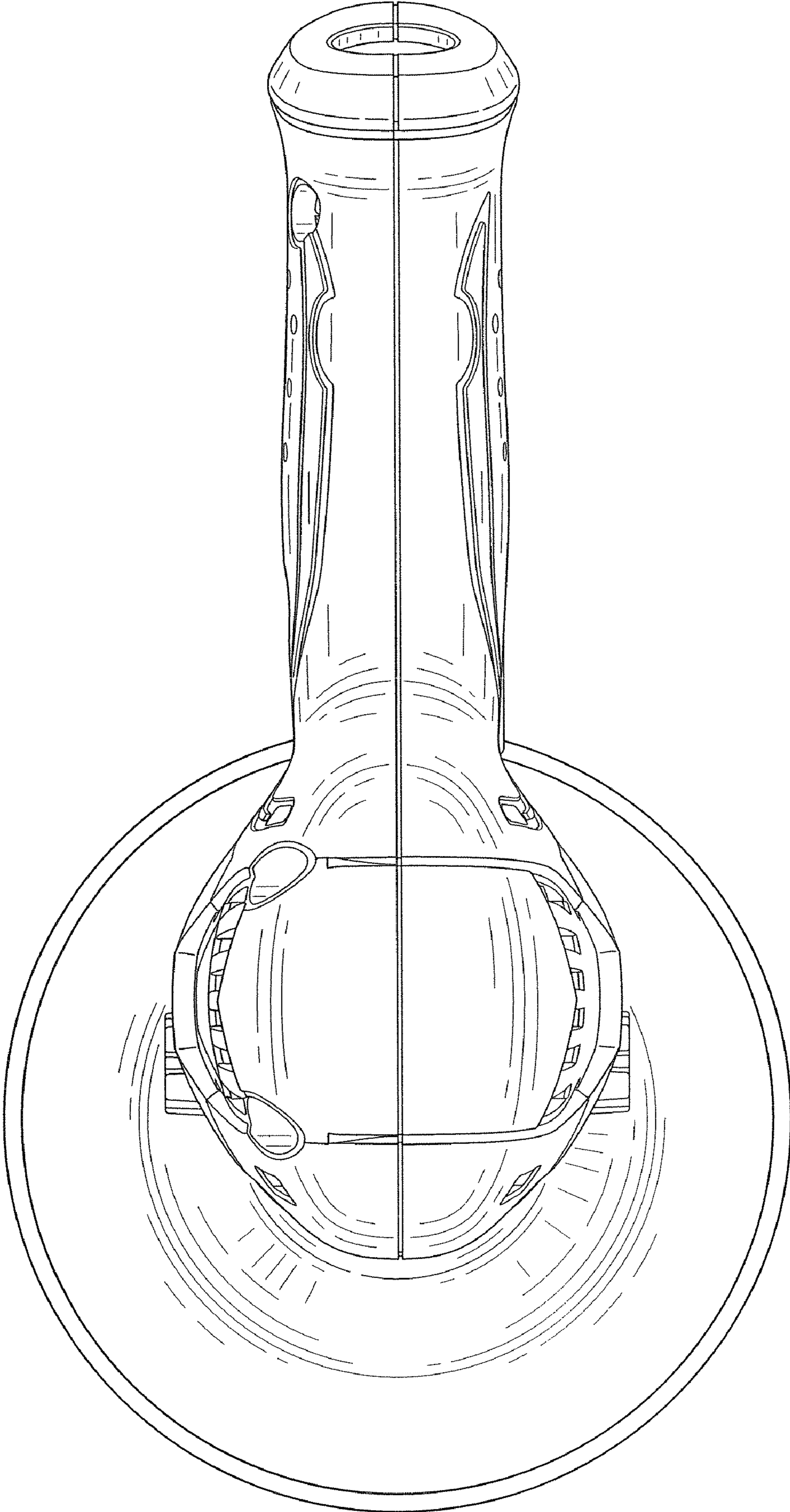


FIG. 4

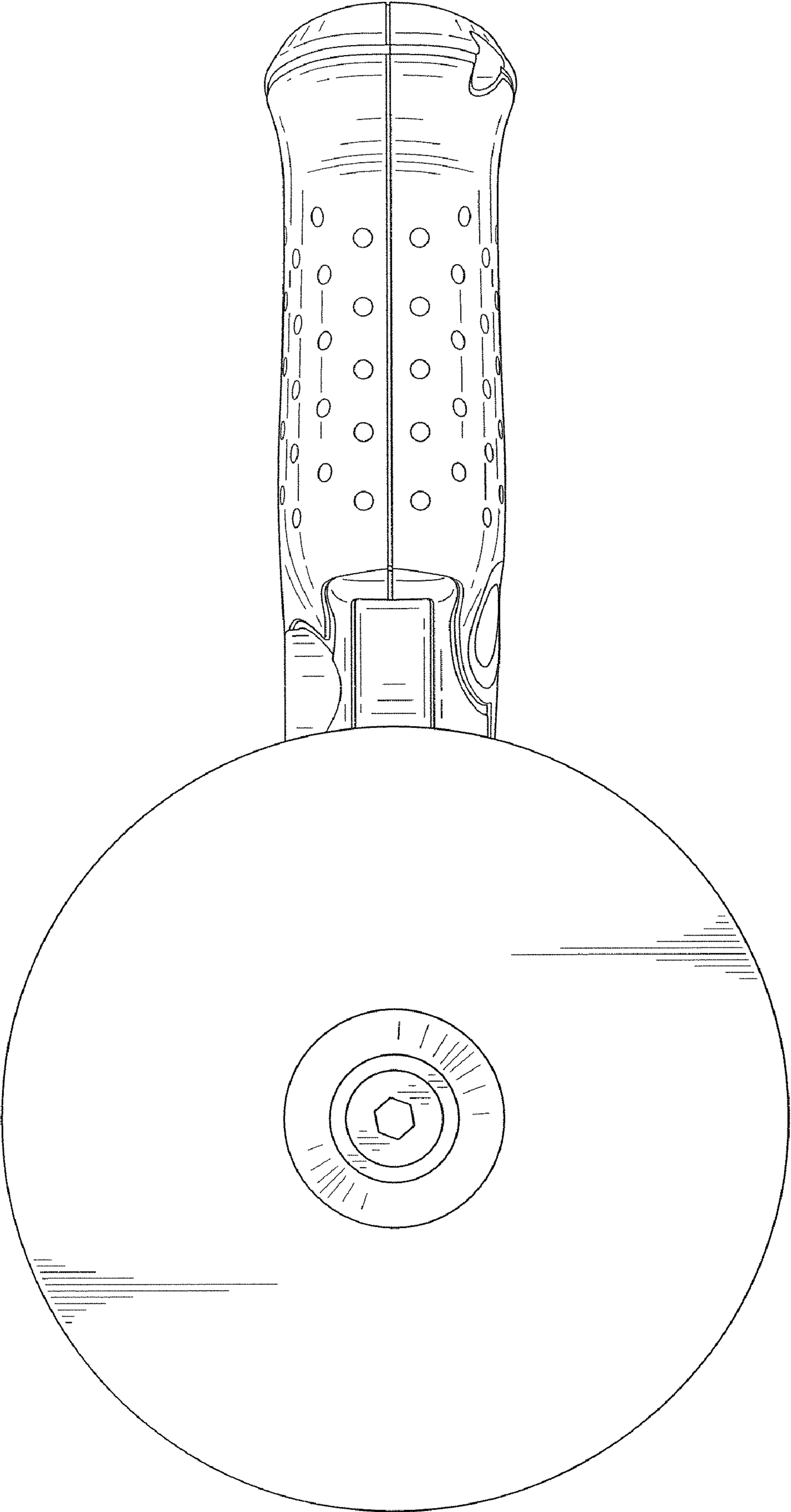


FIG. 5

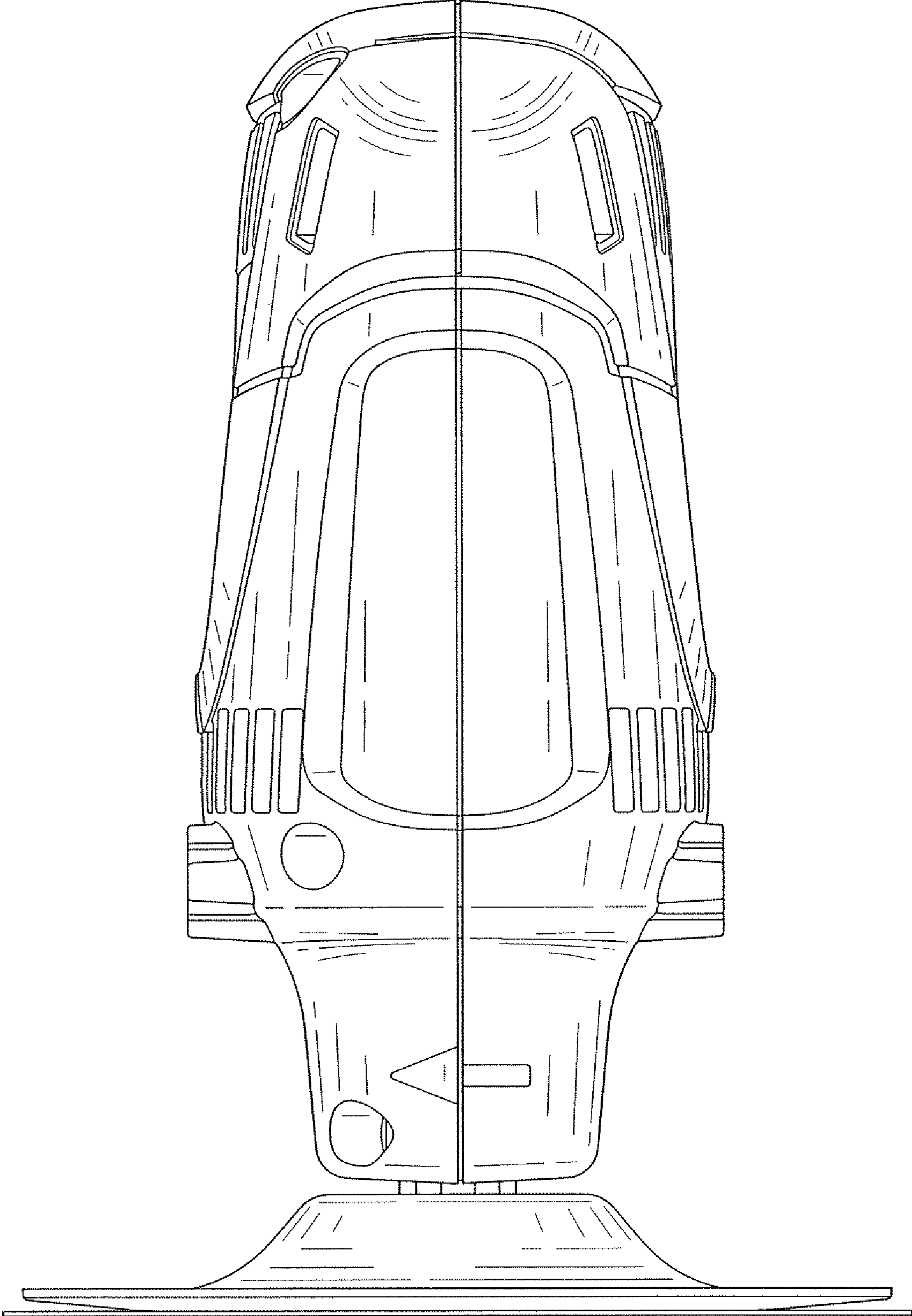


FIG. 6

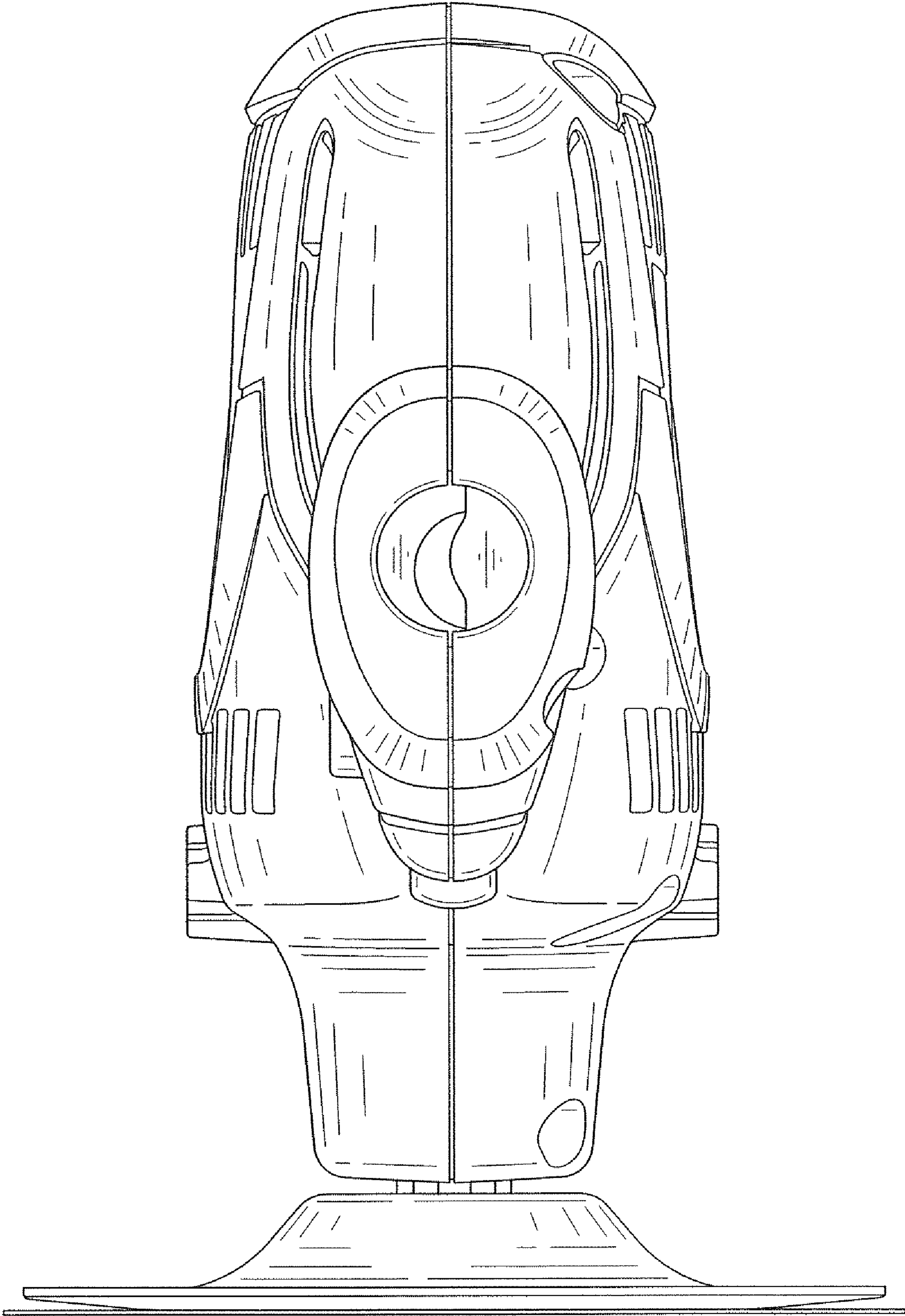


FIG. 7