



US00D611792S

(12) **United States Design Patent**  
**Bellisario**

(10) **Patent No.:** **US D611,792 S**  
(45) **Date of Patent:** **\*\* \*Mar. 16, 2010**

(54) **SCISSOR AND COMB COMBINATION**

(76) Inventor: **Enrico Bellisario**, 9009 Barnes Lake Rd., N. Huntingdon, PA (US) 15642

(\*) Notice: This patent is subject to a terminal disclaimer.

(\*\*) Term: **14 Years**

(21) Appl. No.: **29/294,281**

(22) Filed: **Jan. 2, 2008**

(51) **LOC (9) Cl.** ..... **08-07**

(52) **U.S. Cl.** ..... **D8/57**

(58) **Field of Classification Search** ..... D8/5,  
D8/14, 57, 58, 105, 107; 30/131, 195, 229,  
30/194, 230–235, 268, 350, 254–258; 7/135,  
7/136

See application file for complete search history.

(56) **References Cited**

**U.S. PATENT DOCUMENTS**

84,860	A	12/1868	Craig	.....	30/233
434,145	A *	8/1890	Gamble	.....	30/131
681,740	A *	9/1901	Sansone	.....	7/136
716,454	A *	12/1902	Martin	.....	7/136
1,115,104	A *	10/1914	Prikla	.....	7/136
1,639,617	A *	8/1927	Seavey	.....	30/131
1,726,390	A *	8/1929	Erhard et al.	.....	7/136
1,806,486	A *	5/1931	Mirafuentes	.....	30/254
2,008,631	A *	7/1935	Udkovich	.....	30/195
2,489,168	A *	11/1949	Tuck	.....	30/341
2,677,179	A *	5/1954	Servilla	.....	30/256
3,914,866	A *	10/1975	Applegate	.....	D8/57
4,170,064	A *	10/1979	Senk	.....	30/195
4,805,305	A	2/1989	Davis	.....	30/195
D303,919	S	10/1989	Pate	.....	D8/57
D314,248	S	1/1991	Jokinen	.....	D28/25
5,107,591	A	4/1992	Sato	.....	30/195

D333,764	S	3/1993	Moi	.....	D8/57
5,259,114	A	11/1993	Shorter	.....	30/195
D380,130	S *	6/1997	Hauser	.....	D8/57
D407,527	S	3/1999	Bellisario	.....	D28/25
5,875,553	A *	3/1999	Geib et al.	.....	30/226
D429,982	S *	8/2000	Kamrath	.....	D8/57
6,141,877	A *	11/2000	Suetsugu	.....	30/195
6,526,663	B1 *	3/2003	Simmons et al.	.....	30/195
6,651,345	B1 *	11/2003	Adachi	.....	30/195
D537,312	S *	2/2007	Nenadich et al.	.....	D8/57

\* cited by examiner

*Primary Examiner*—Cathron C Brooks  
*Assistant Examiner*—Deanna Fluegeman

(57) **CLAIM**

The ornamental design for a scissor and comb combination, as shown and described.

**DESCRIPTION**

FIG. 1. is a side elevational view of the upper and lower member of my new design shown separately for clarity.

FIG. 2 is the reverse side elevational view of the upper and lower member of my new design to show clarity,

FIG. 3 is a side elevational view of the assembled new design in the open position of my new design.

FIG. 4 is a side elevational view of the lower member of my new design shown separately for clarity.

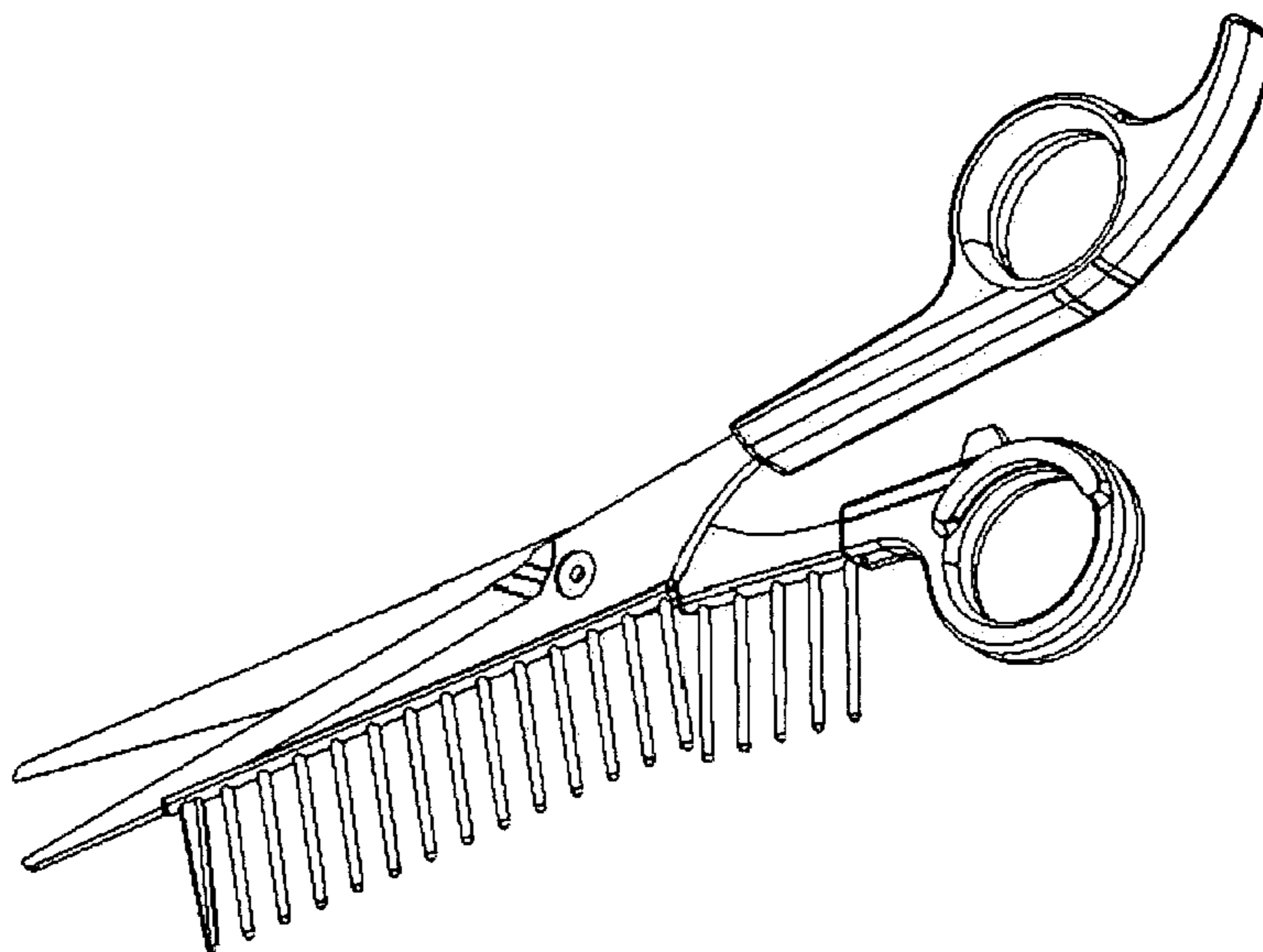
FIG. 5 is a side elevational view of my new design in a closed position.

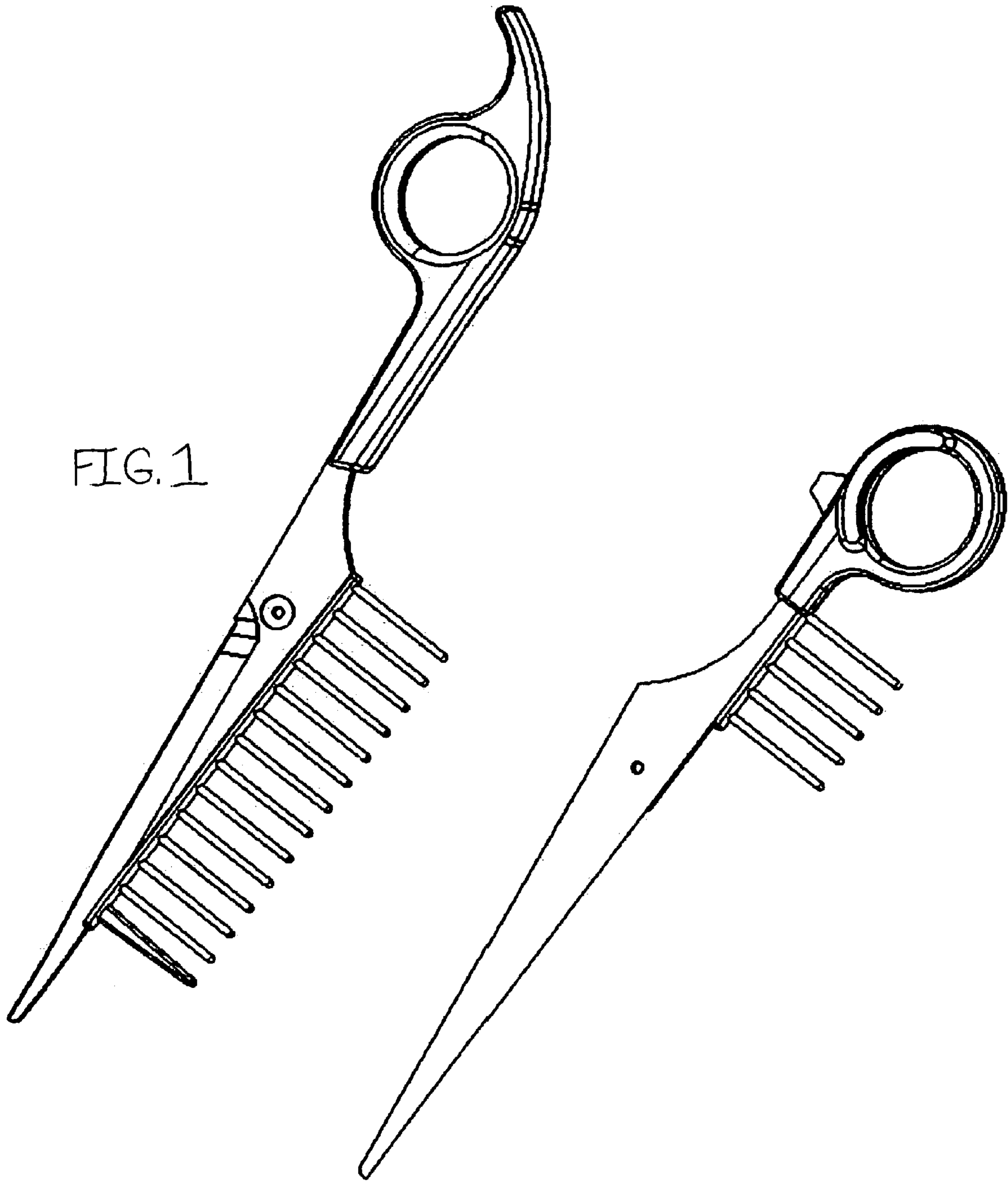
FIG. 6 is a side elevational view of the assembled new design in a semi-closed position.

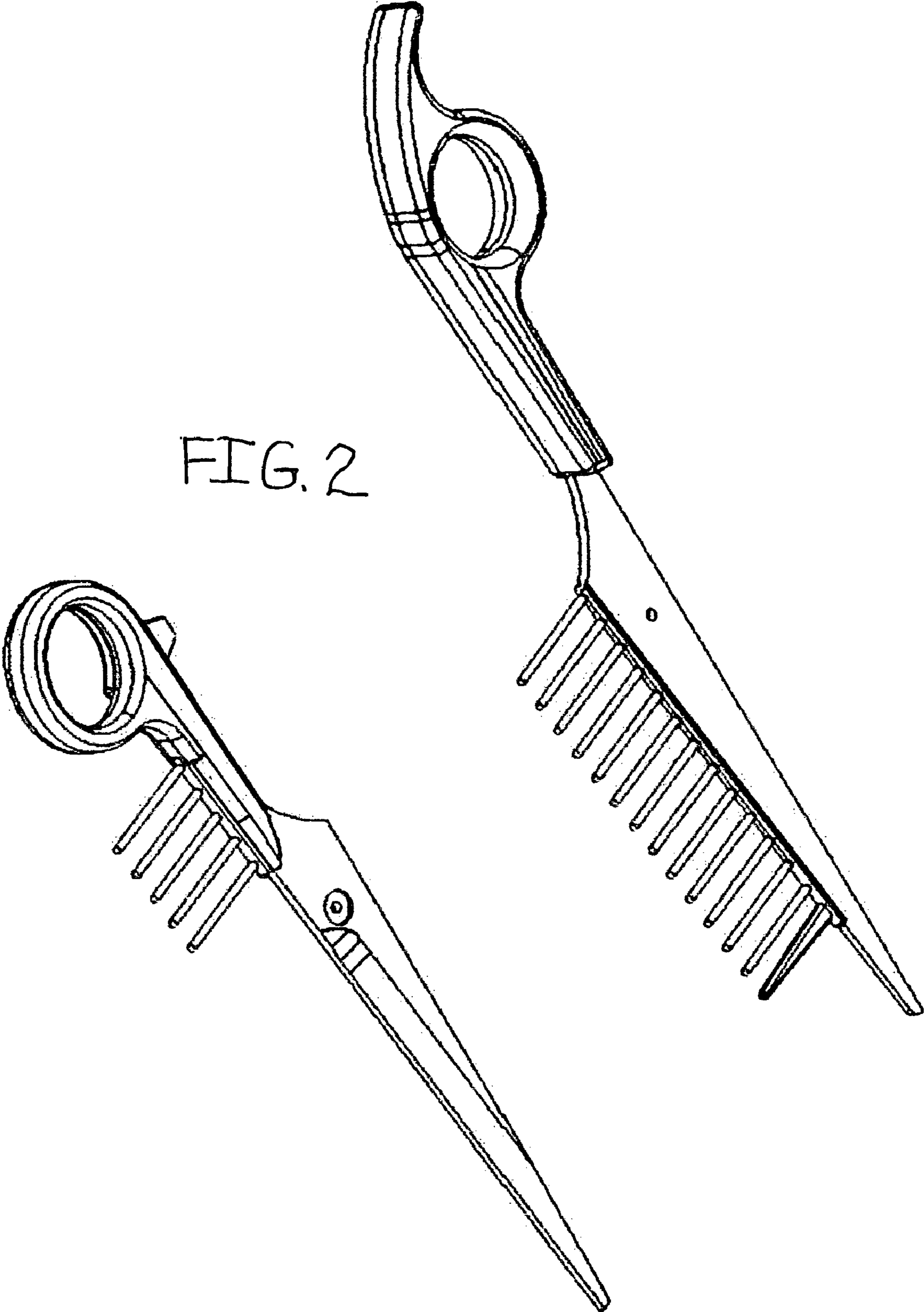
FIG. 7 is the opposite side elevational view of the lower member of my new design shown separately for clarity; and,

FIG. 8 is an enlarged view of the lower member of the thumb rest of my new design.

**1 Claim, 8 Drawing Sheets**







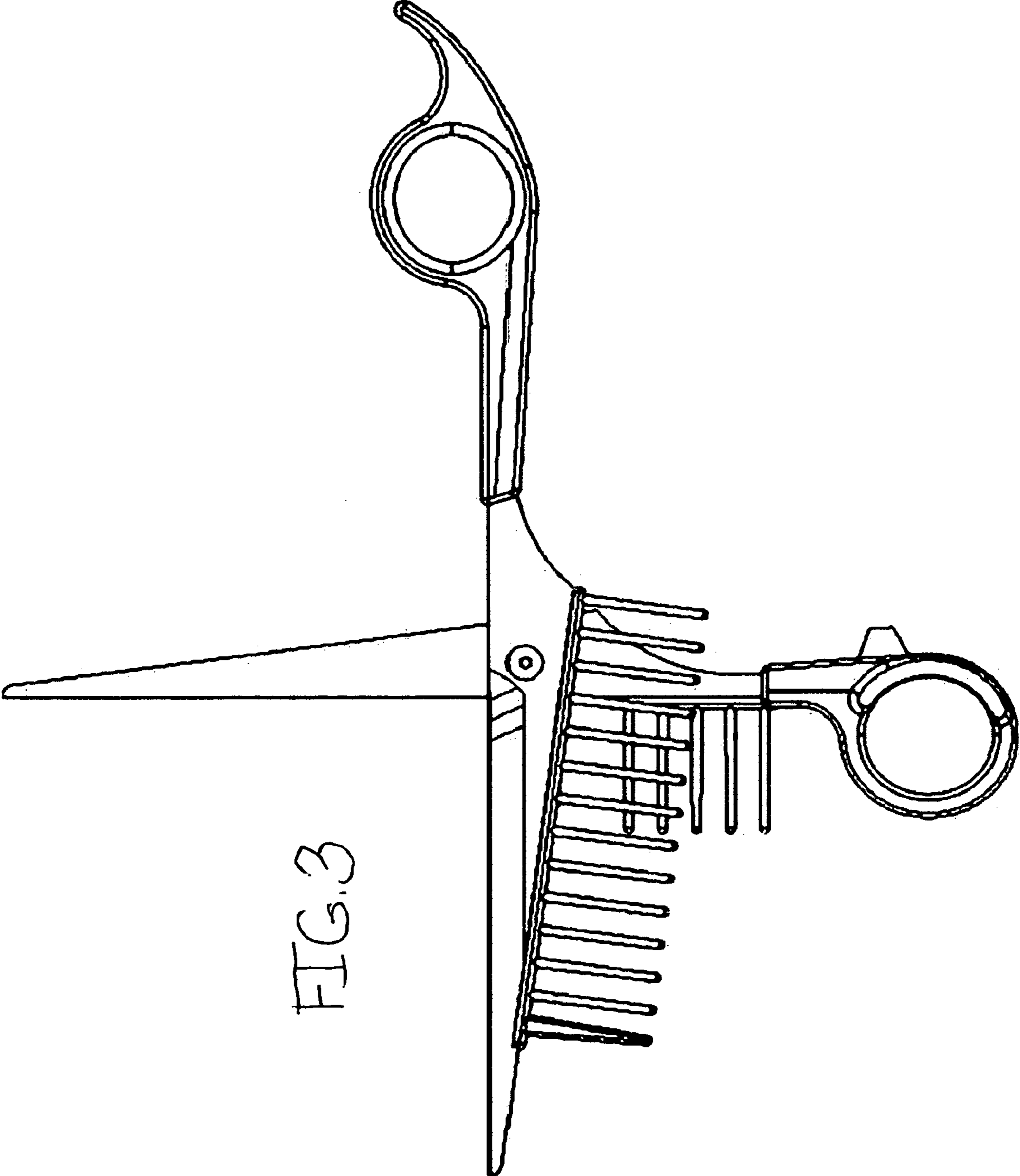


FIG. 3

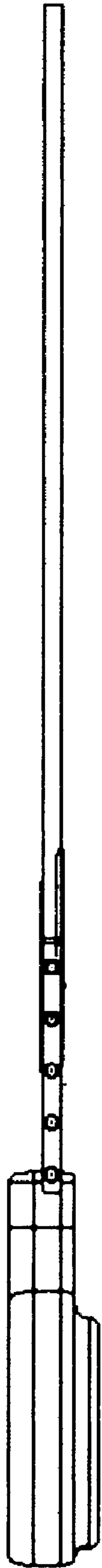


FIG. 4

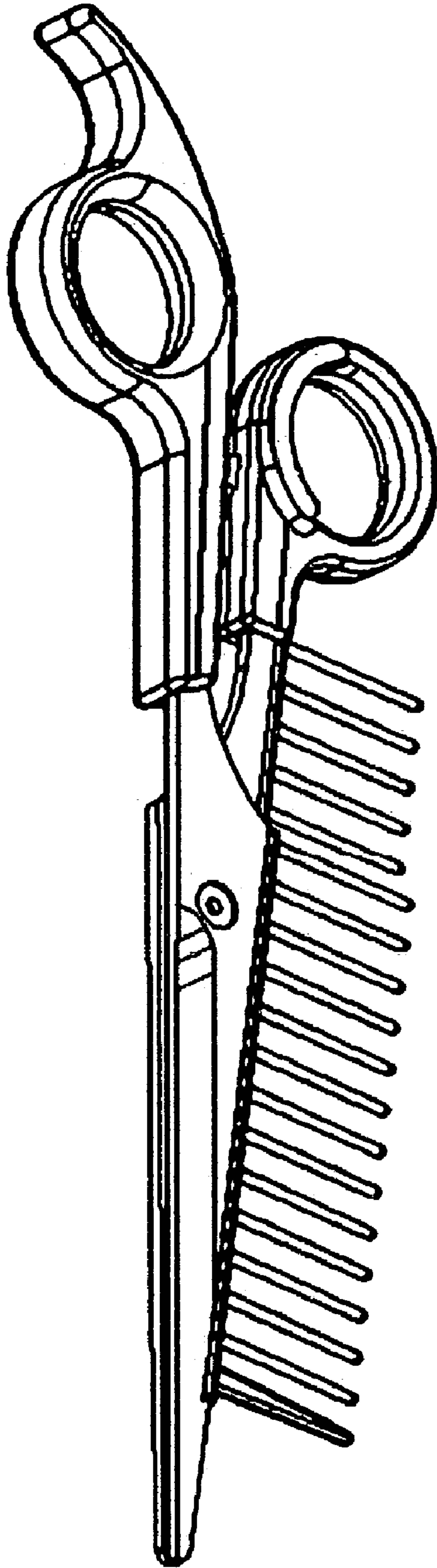


FIG. 5

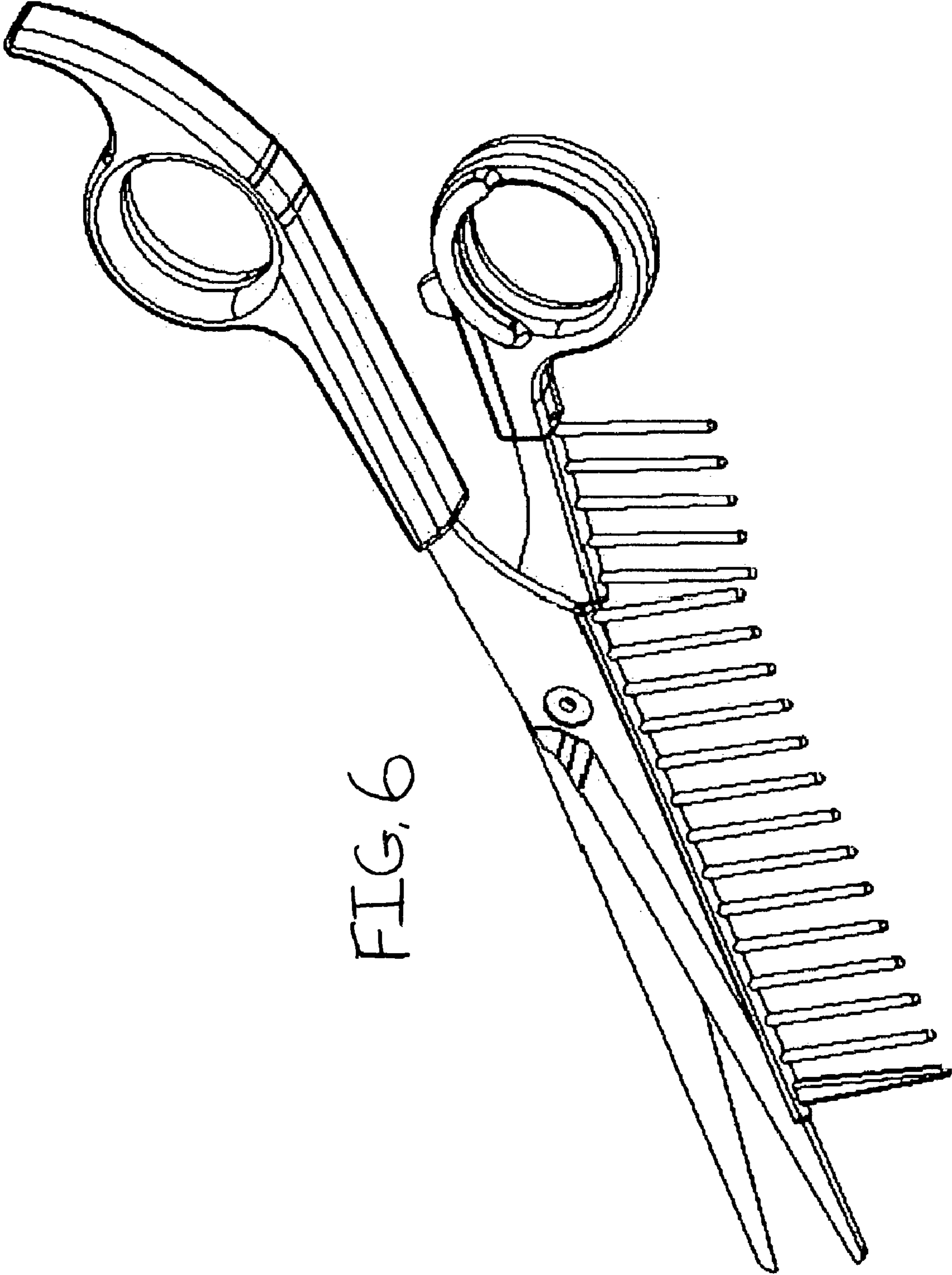


FIG. 6

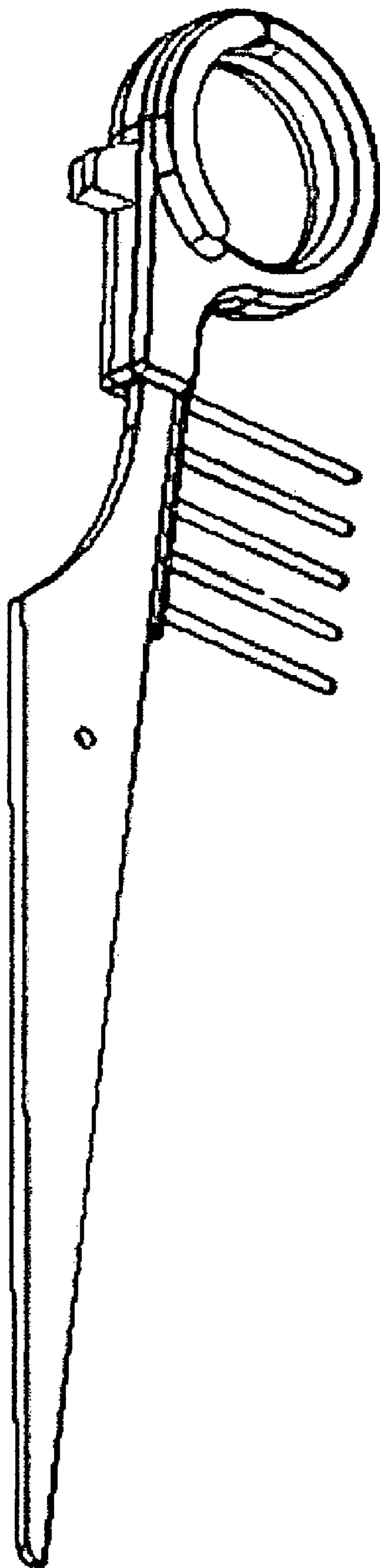


FIG. 7



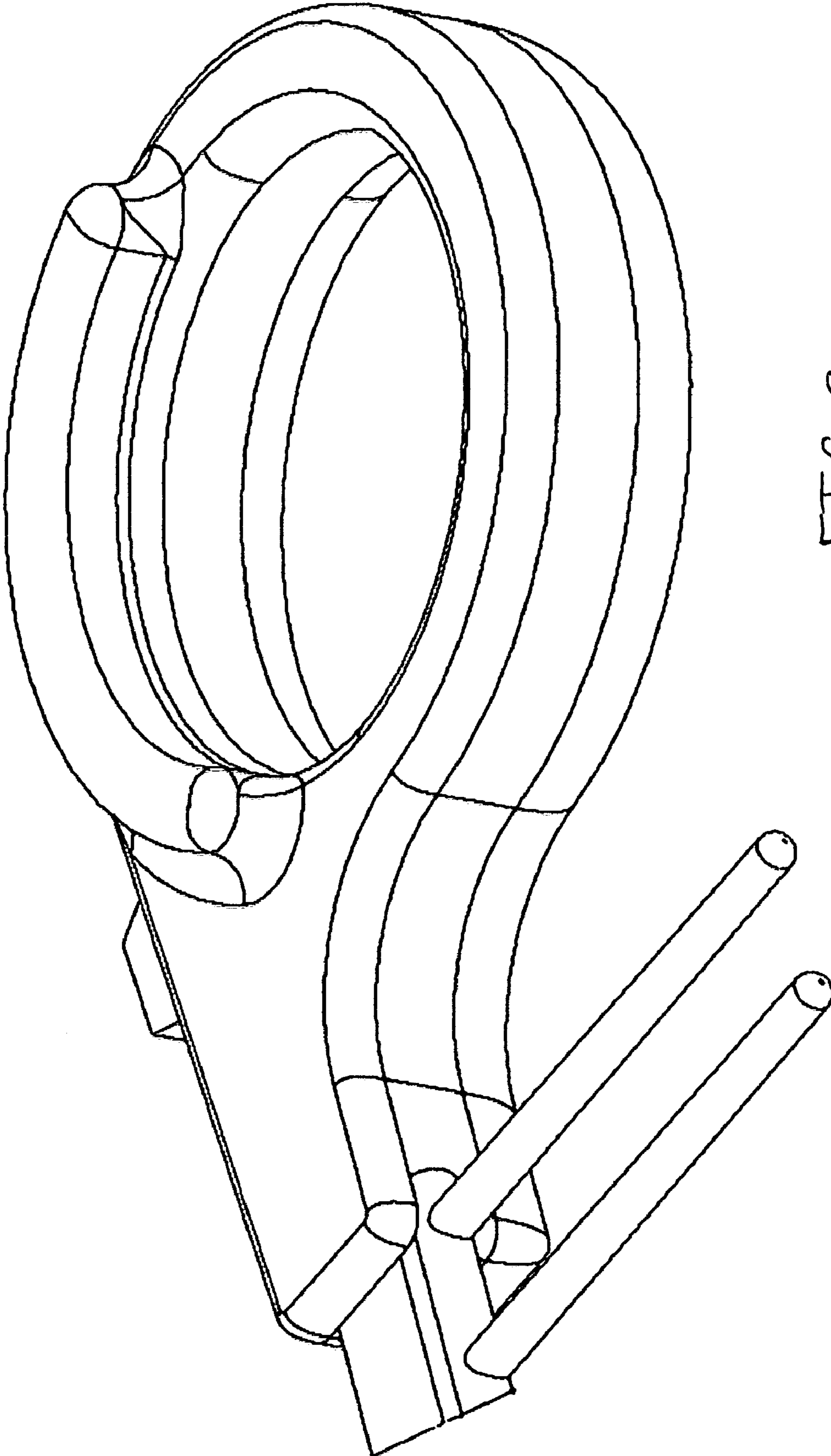


FIG. 8