



US00D611789S

(12) **United States Design Patent**
Taylor, Jr.

(10) **Patent No.:** **US D611,789 S**
(45) **Date of Patent:** **** Mar. 16, 2010**

(54) **SOCKET**

(76) Inventor: **James W. Taylor, Jr.**, 1047 Kristen Dr.,
Medford, OR (US) 97504

(**) Term: **14 Years**

(21) Appl. No.: **29/344,173**

(22) Filed: **Sep. 24, 2009**

(51) **LOC (9) Cl.** **08-05**

(52) **U.S. Cl.** **D8/29**

(58) **Field of Classification Search** D8/21-29,
D8/81-87, 102-107, 98, 99, 55, 93, 94; 81/60-63.2,
81/177.1, 177.85, 177.8, 489, 125.1, 121.1,
81/119-120, 176.1, 186, 177.9, 185.1, 176.2,
81/165, 170, 3.35, 58, 3.345, 155; 206/378;
16/429, 441, 124.06; 7/100, 138, 168, 157
See application file for complete search history.

(56) **References Cited**

U.S. PATENT DOCUMENTS

| | | | | |
|-----------|-----|---------|---------------|---------|
| 3,079,819 | A | 3/1963 | Wing | |
| 3,127,799 | A * | 4/1964 | Bergquist | 81/62 |
| 3,273,430 | A | 9/1966 | Knutsen | |
| 3,466,956 | A | 9/1969 | Bowers | |
| 3,715,168 | A * | 2/1973 | Kuhn | 408/204 |
| 3,903,764 | A | 9/1975 | Anderson | |
| 4,126,063 | A | 11/1978 | Palmer | |
| 4,765,211 | A | 8/1988 | Colvin | |
| 4,882,957 | A | 11/1989 | Wright | |
| 4,920,834 | A * | 5/1990 | Womack et al. | 81/165 |
| 4,955,262 | A * | 9/1990 | Womack et al. | 81/165 |
| 4,970,917 | A * | 11/1990 | McCollom | 81/53.2 |
| 5,012,706 | A | 5/1991 | Wright | |
| 5,284,073 | A | 2/1994 | Wright | |

| | | | | |
|--------------|------|---------|-------------|----------|
| D506,908 | S * | 7/2005 | Hsien | D8/29 |
| D526,172 | S * | 8/2006 | Lin | D8/29 |
| 7,127,969 | B2 * | 10/2006 | Hsieh | 81/121.1 |
| D550,050 | S * | 9/2007 | Peng | D8/29 |
| 7,406,895 | B2 * | 8/2008 | Hu | 81/121.1 |
| 7,523,688 | B2 | 4/2009 | Putney | |
| D599,634 | S * | 9/2009 | Taylor, Jr. | D8/29 |
| 2003/0126960 | A1 * | 7/2003 | Chen | 81/121.1 |

* cited by examiner

Primary Examiner—Raphael Barkai

Assistant Examiner—Randall H Gholson

(74) *Attorney, Agent, or Firm*—Gerald D. Haynes

(57) **CLAIM**

The ornamental design for a socket, as shown and described.

DESCRIPTION

FIG. 1 is a side perspective view of a socket showing my new design;

FIG. 2 is a top view thereof;

FIG. 3 is a bottom view thereof;

FIG. 4 is a left side view thereof;

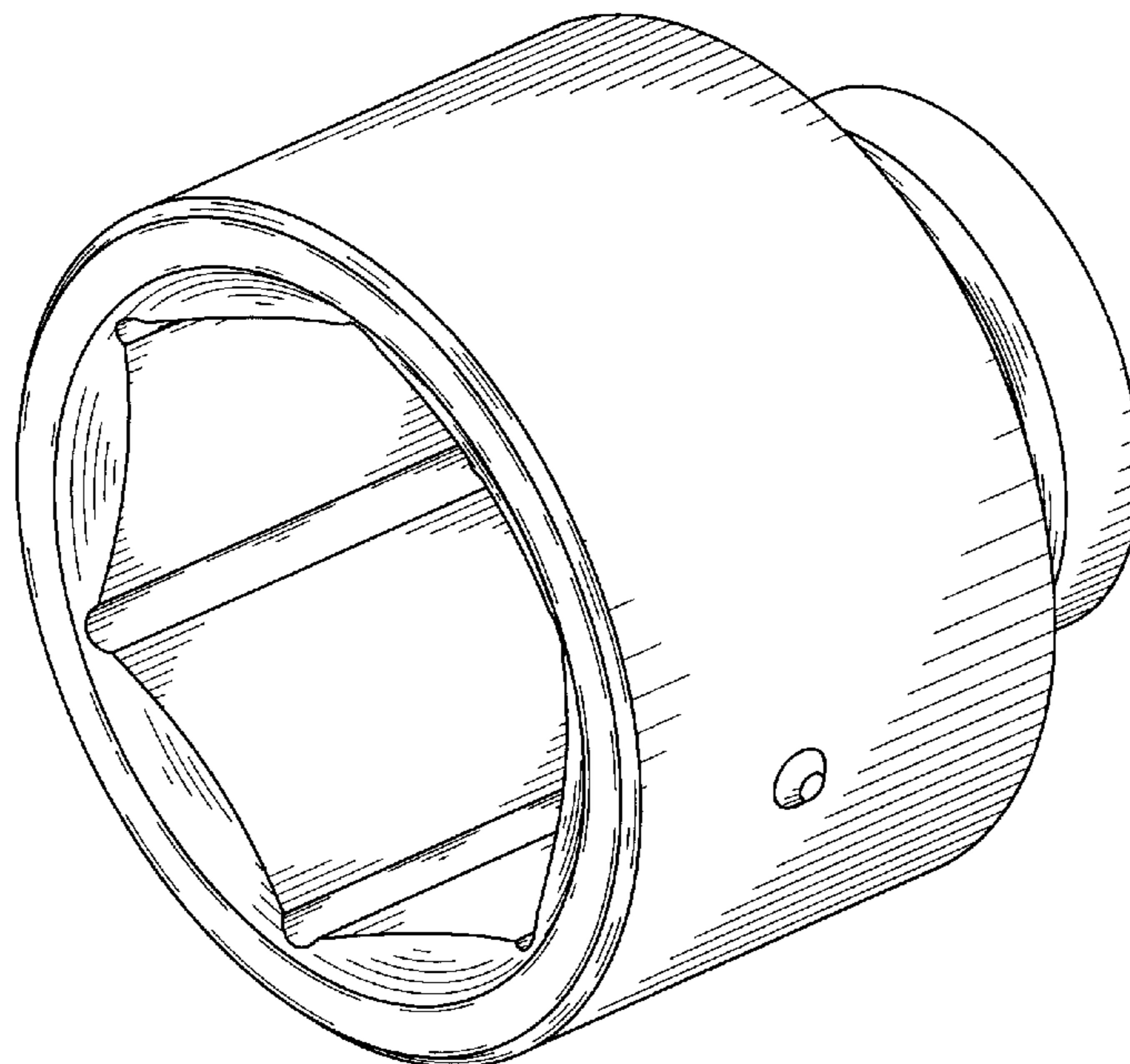
FIG. 5 is a right side view thereof, the front view and rear view being mirror images thereof;

FIG. 6 is a perspective view showing the socket and set screw separately for ease of illustration; and,

FIG. 7 is another perspective view thereof.

The broken lines shown in the drawings are included for the purpose of illustrating the environment of the socket and form no part of the claimed design.

1 Claim, 4 Drawing Sheets



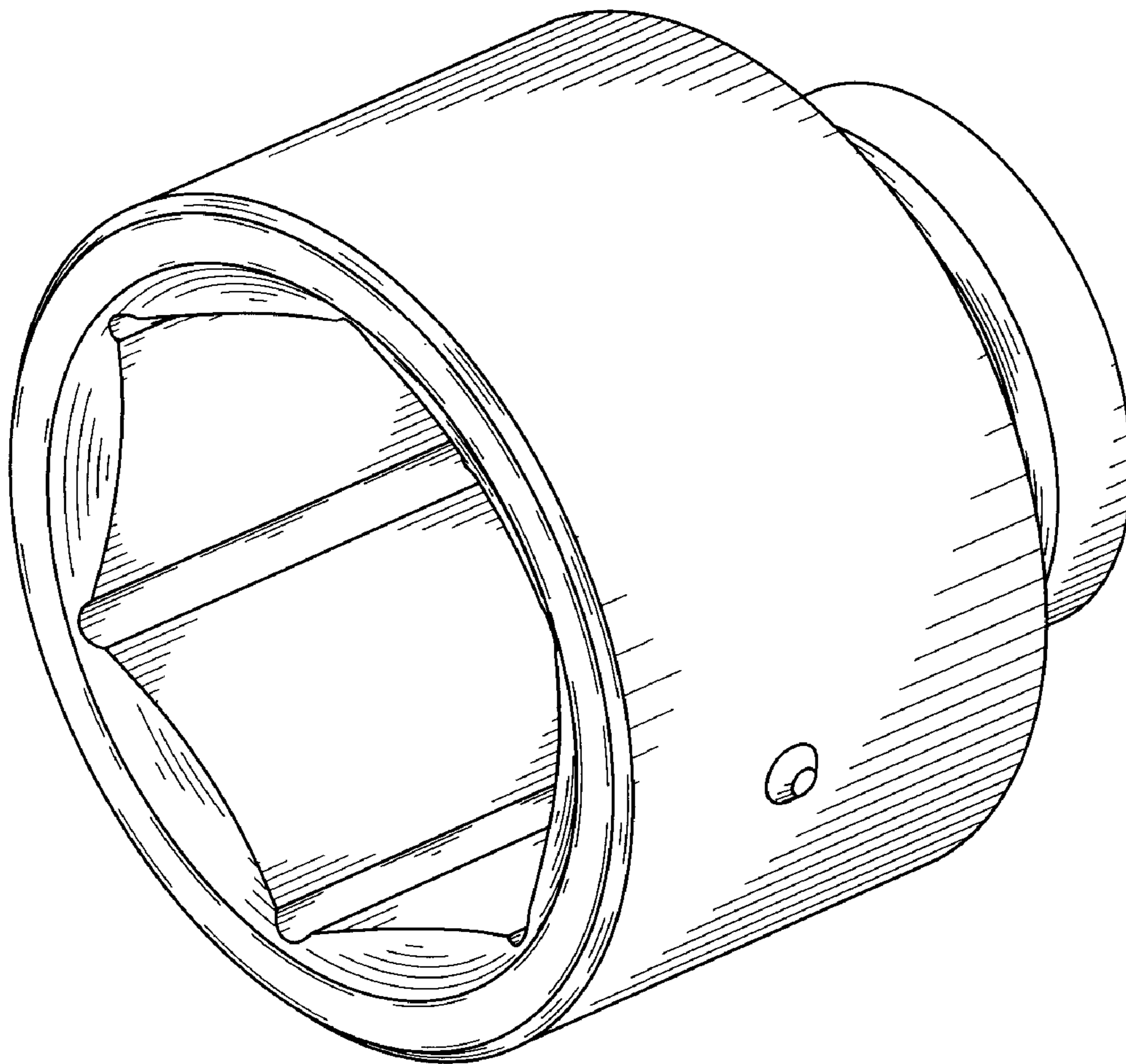


FIG. 1

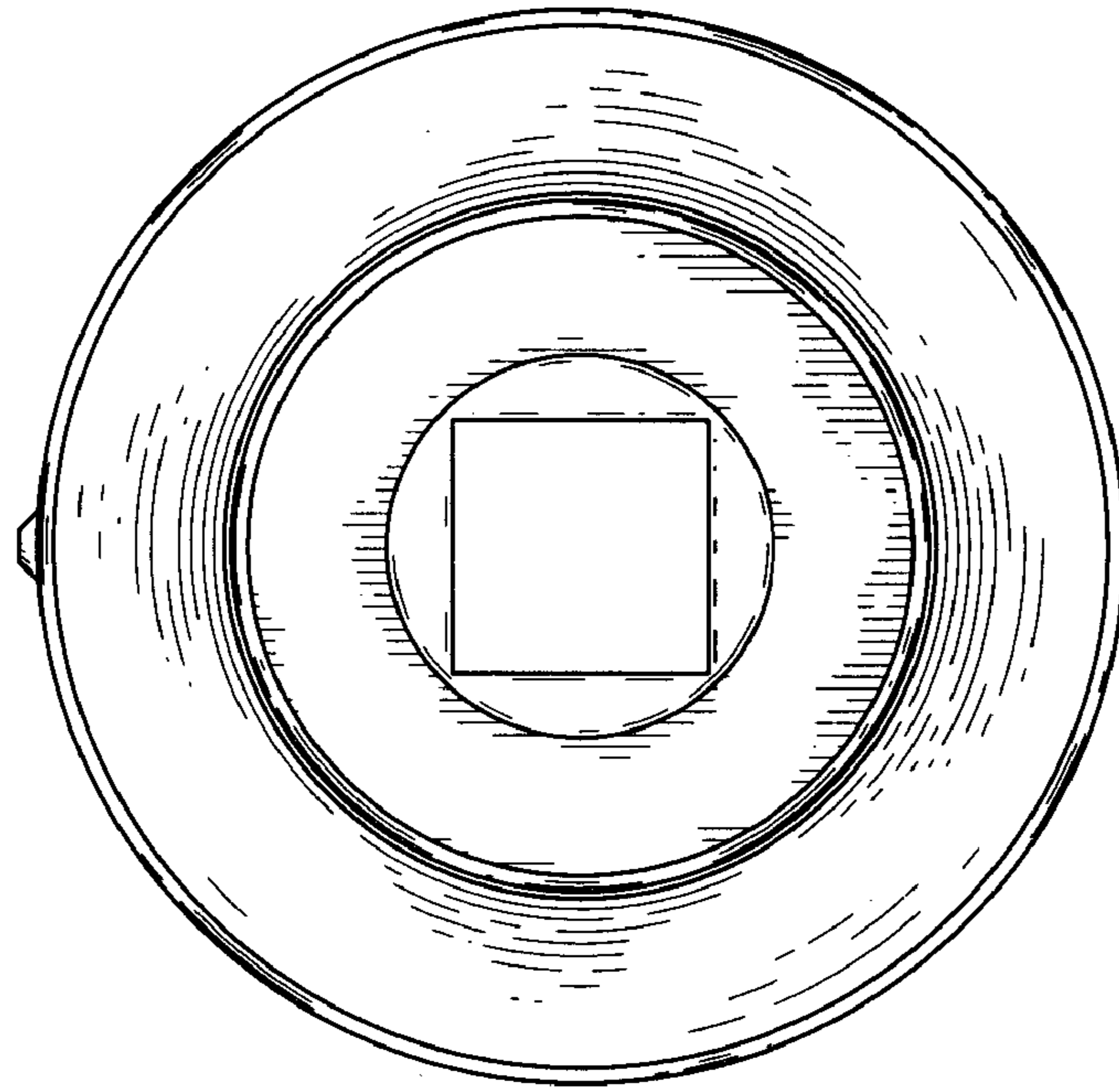


FIG. 2

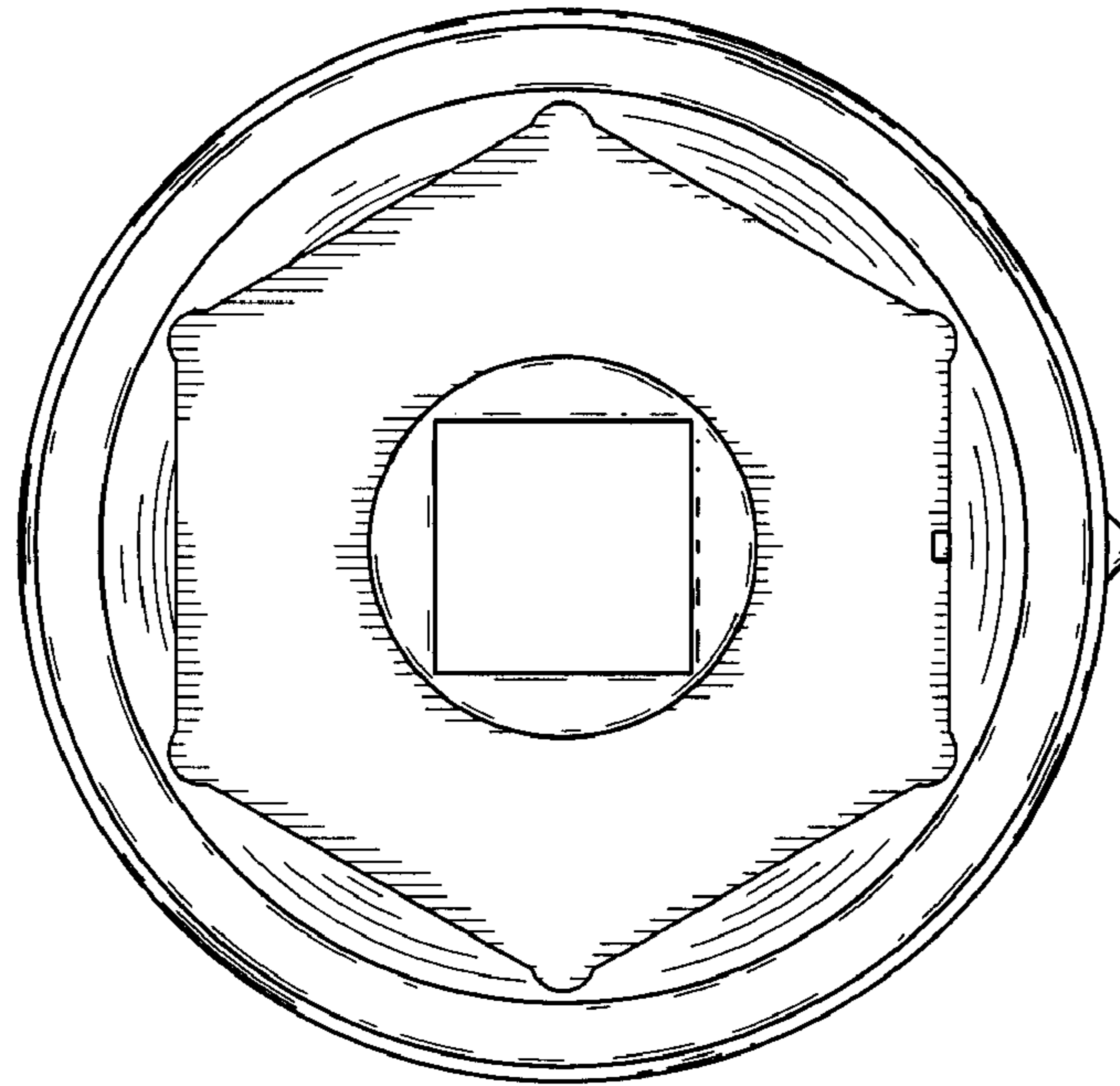


FIG. 3

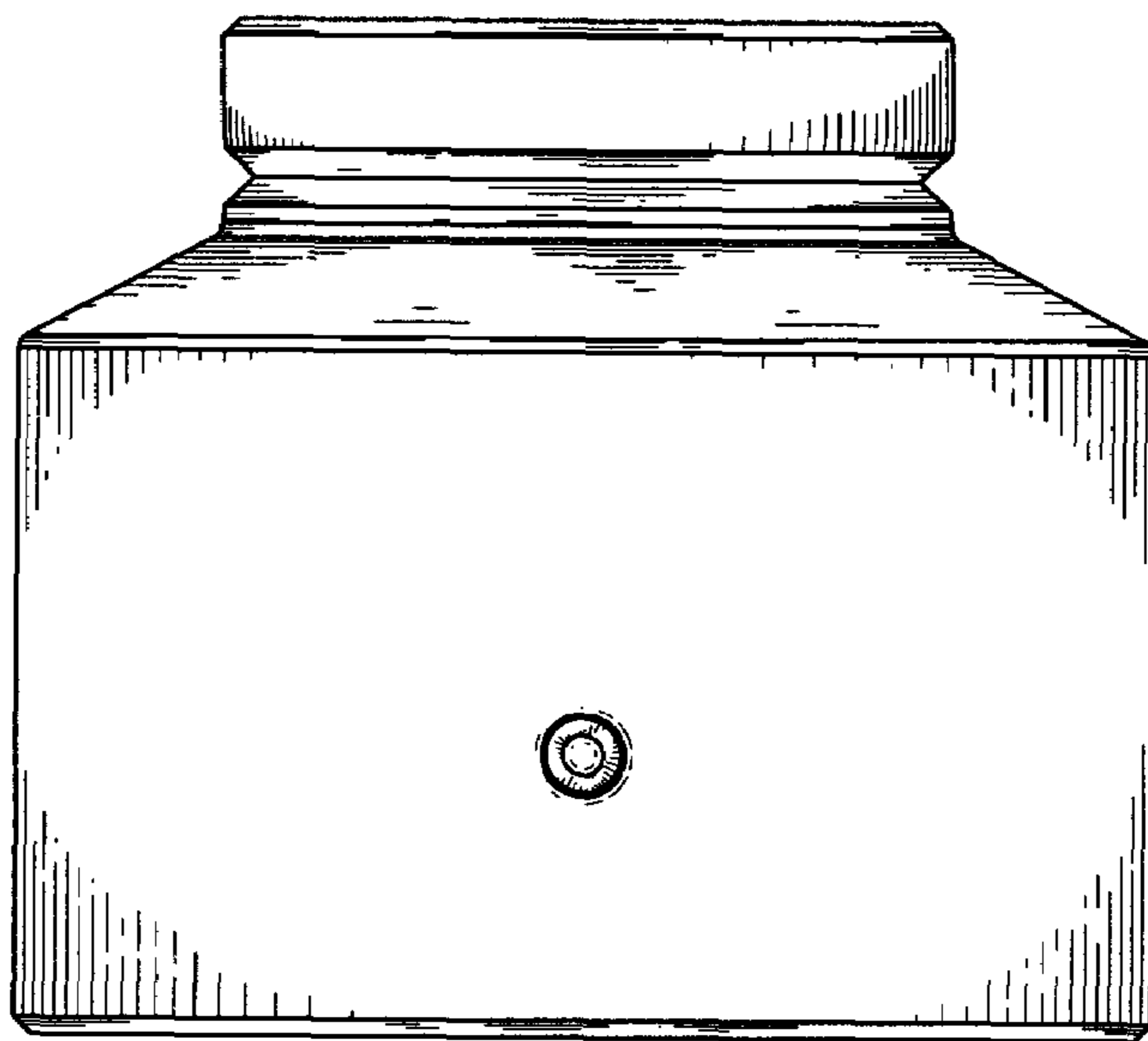


FIG. 4

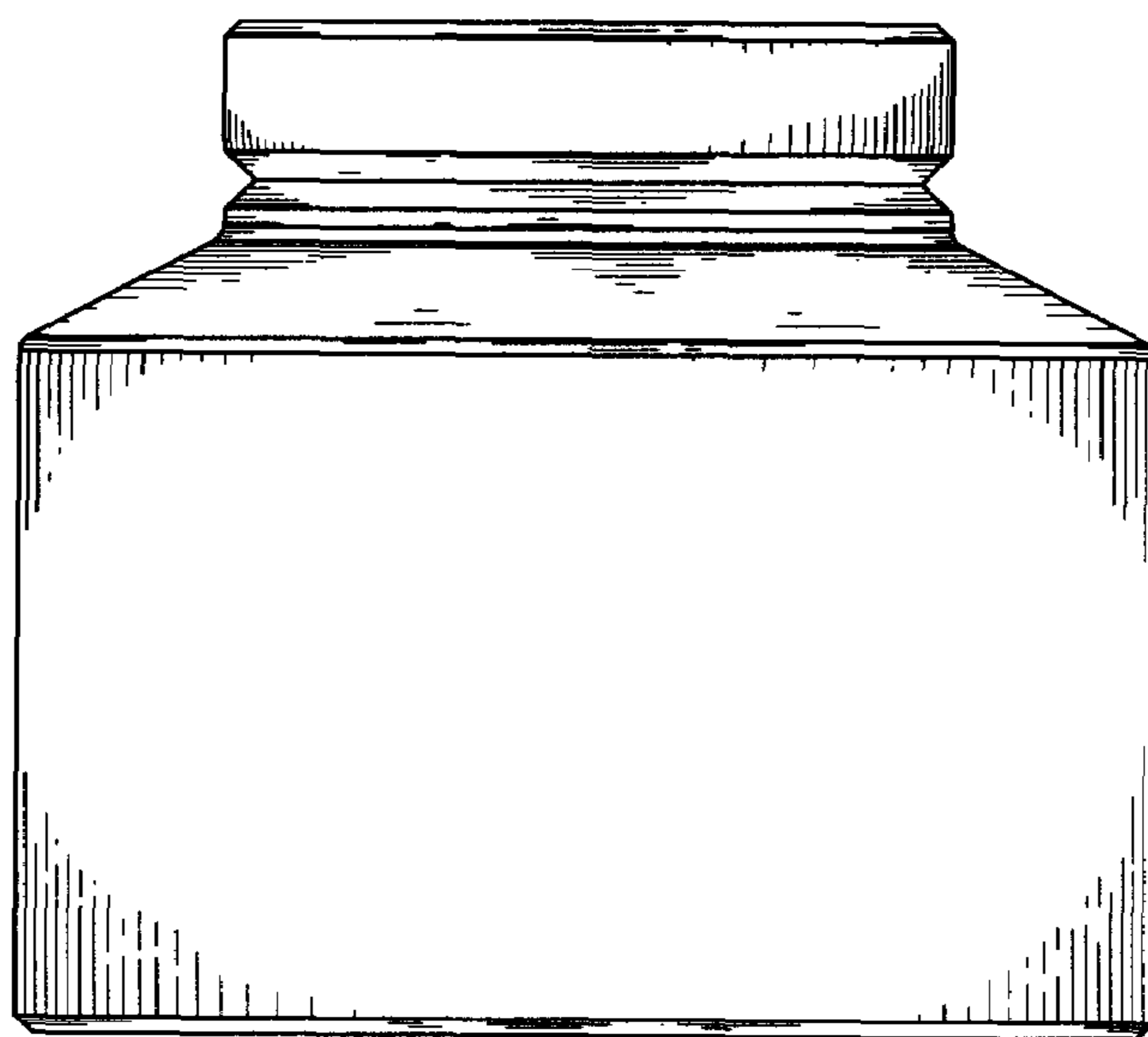


FIG. 5

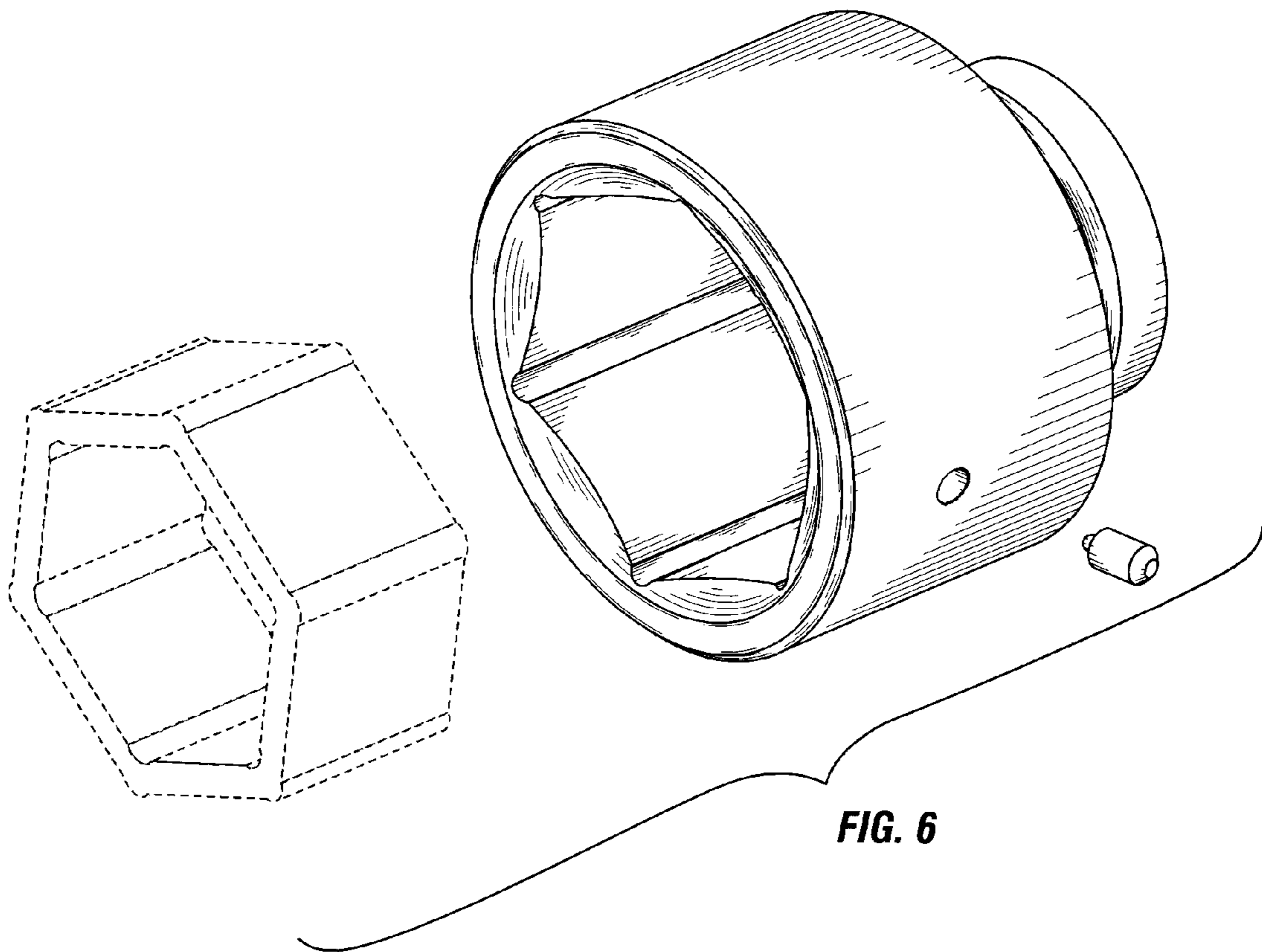


FIG. 6

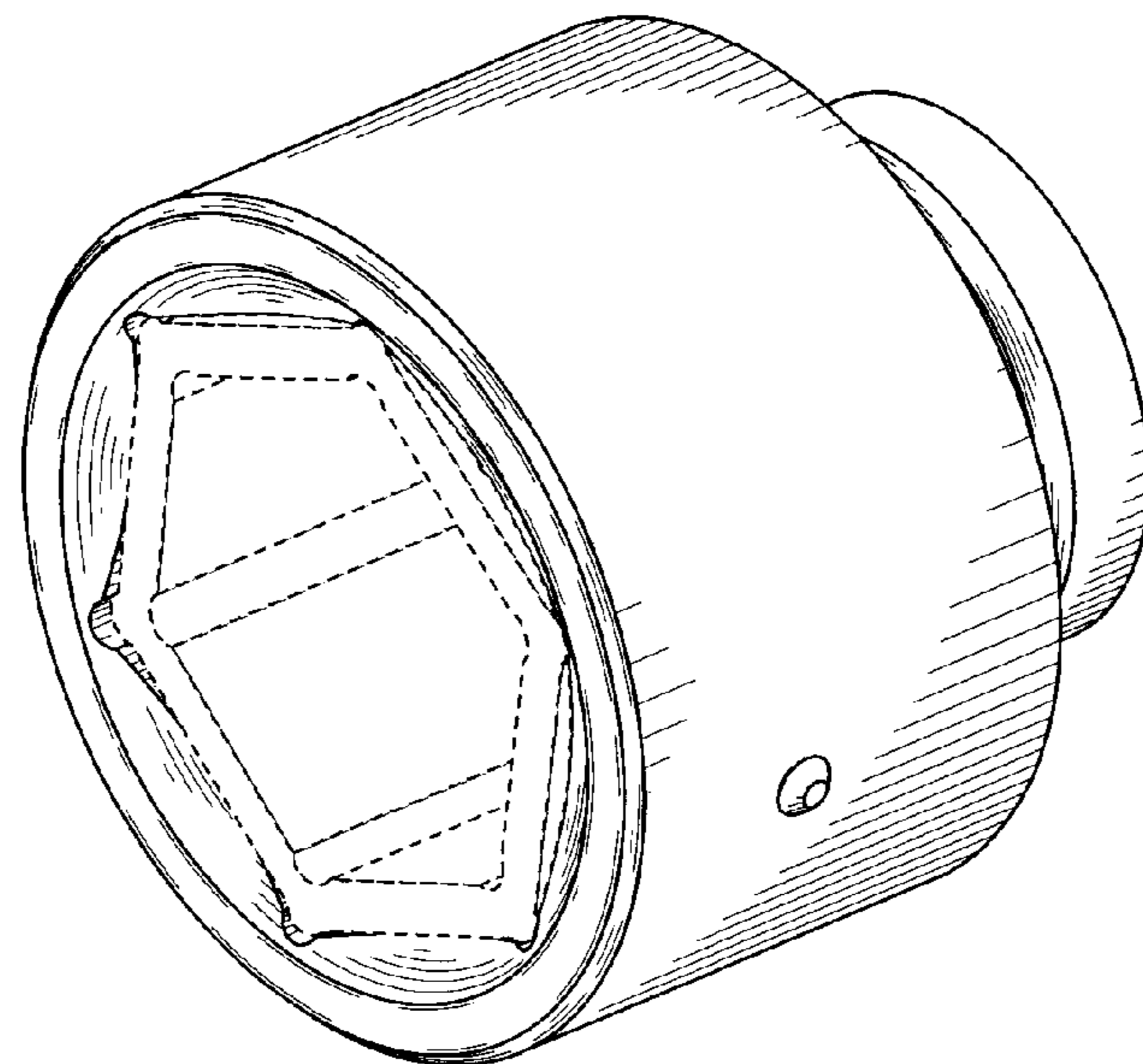


FIG. 7