



US00D611787S

(12) **United States Design Patent**
Knapp

(10) **Patent No.:** **US D611,787 S**

(45) **Date of Patent:** **** Mar. 16, 2010**

(54) **OXYGEN TANK KEY**

(76) Inventor: **Joshua E. Knapp**, 104 W. 70th St.,
Apartment 10B, New York, NY (US)
10023

(**) Term: **14 Years**

(21) Appl. No.: **29/294,255**

(22) Filed: **Dec. 31, 2007**

(51) **LOC (9) Cl.** **08-05**

(52) **U.S. Cl.** **D8/28; D23/250**

(58) **Field of Classification Search** D23/238–234,
D23/249–254; 4/675–678; 137/801; 16/110.1;
D8/308, 18, 21, 28; 81/119, 121.1, 58, 489
See application file for complete search history.

(56) **References Cited**

U.S. PATENT DOCUMENTS

D115,301	S	*	6/1939	Spexarth	D8/28
D117,071	S	*	10/1939	McIntosh	D23/238
3,465,379	A	*	9/1969	Forte	D23/252
D249,060	S	*	8/1978	Ratnik	D23/250
D285,948	S	*	9/1986	Mazzoleni	D8/17
D389,710	S	*	1/1998	Baber	D8/28

D519,342	S	*	4/2006	Hartman et al.	D8/28
D525,493	S	*	7/2006	Hsieh	D8/27

* cited by examiner

Primary Examiner—Robert A Delehanty

(74) *Attorney, Agent, or Firm*—Norman E. Lehrer

(57) **CLAIM**

The ornamental design for an “oxygen tank key,” as shown and described.

DESCRIPTION

FIG. 1 is a front elevational view of an “oxygen tank key” showing my new design;

FIG. 2 is a top plan view thereof;

FIG. 3 is a bottom plan view thereof;

FIG. 4 is a rear elevational view thereof;

FIG. 5 is a right side elevational view thereof;

FIG. 6 is a left side elevational view thereof; and,

FIG. 7 is a perspective view thereof.

The broken lines in FIG. 3, which define the bounds of the claimed design, form no part thereof.

1 Claim, 1 Drawing Sheet

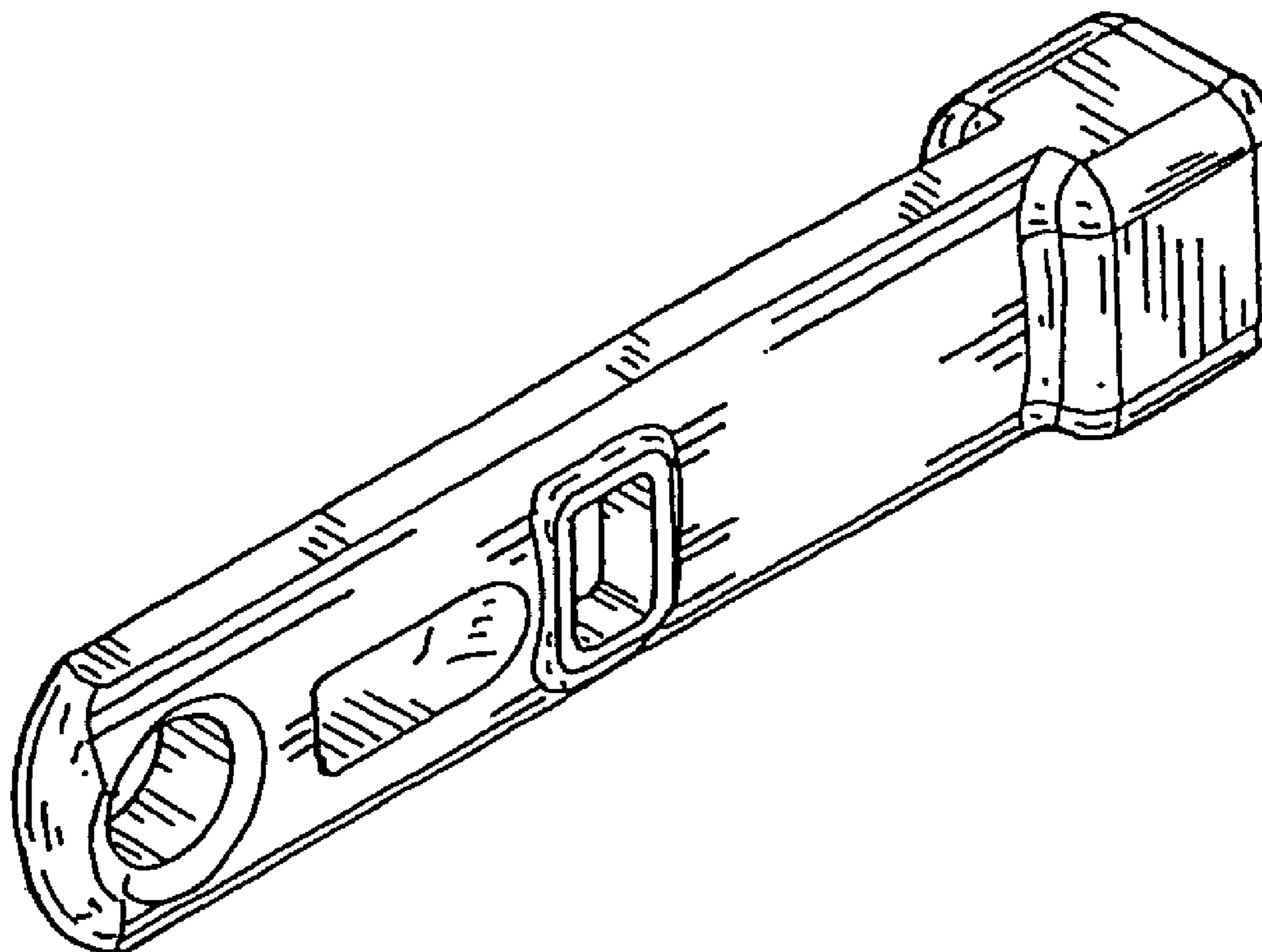


Fig. 1

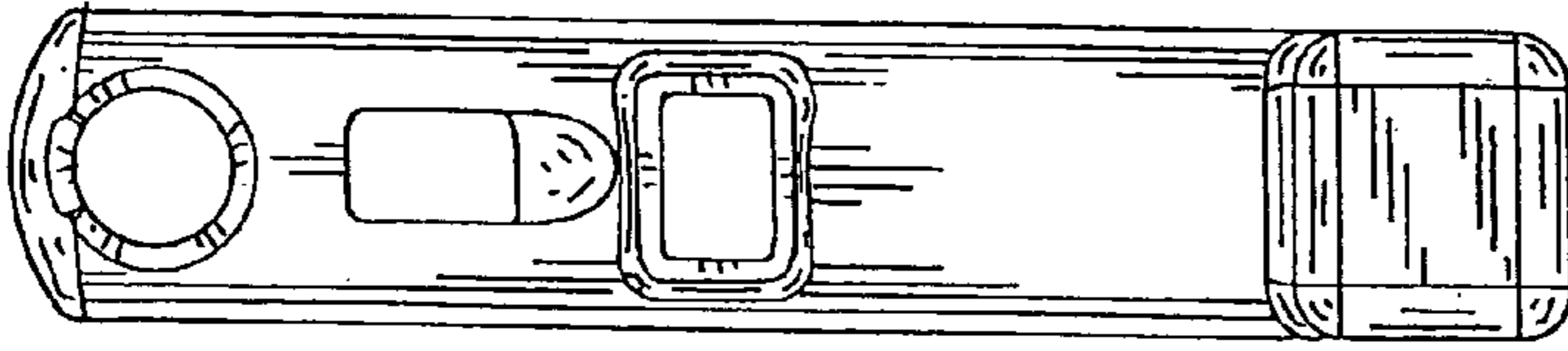


Fig. 2

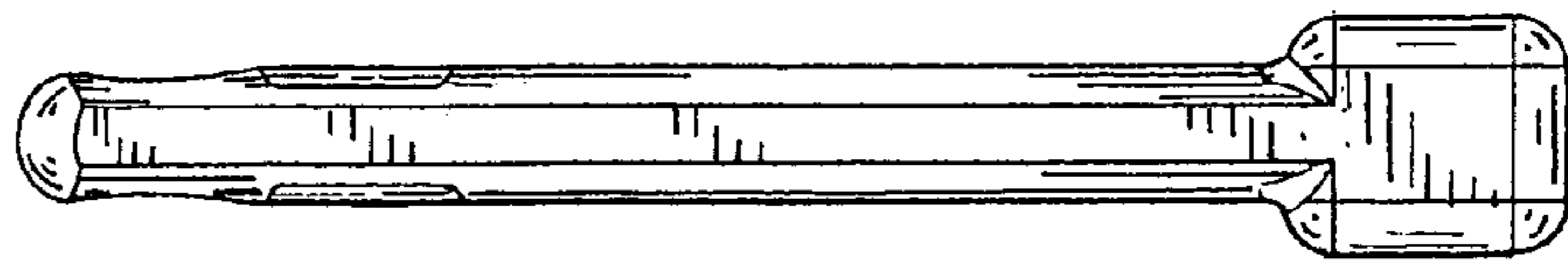


Fig. 3



Fig. 4

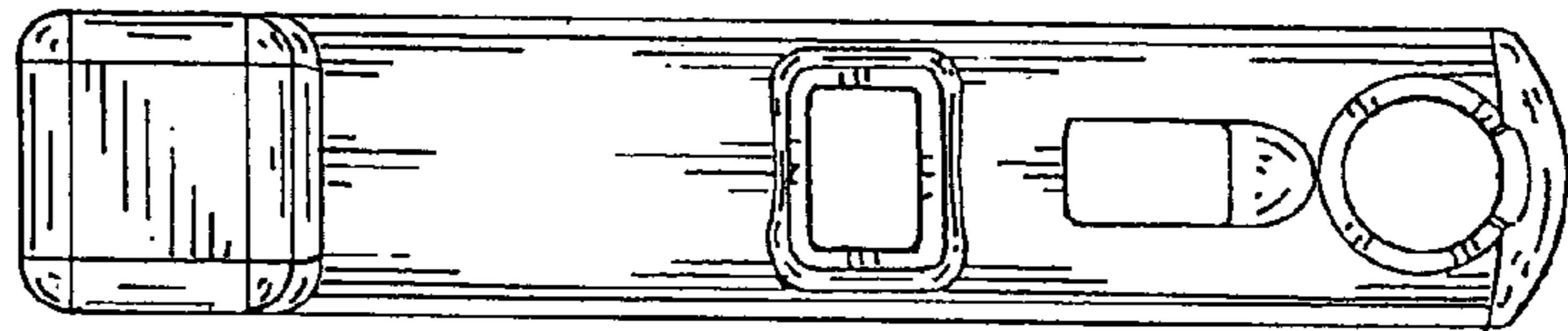


Fig. 5

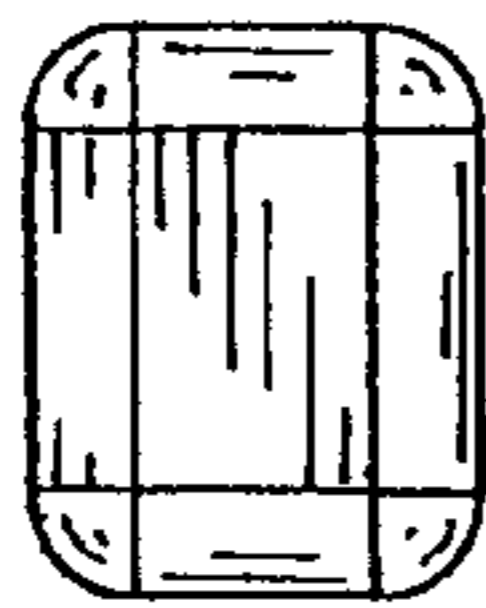


Fig. 6

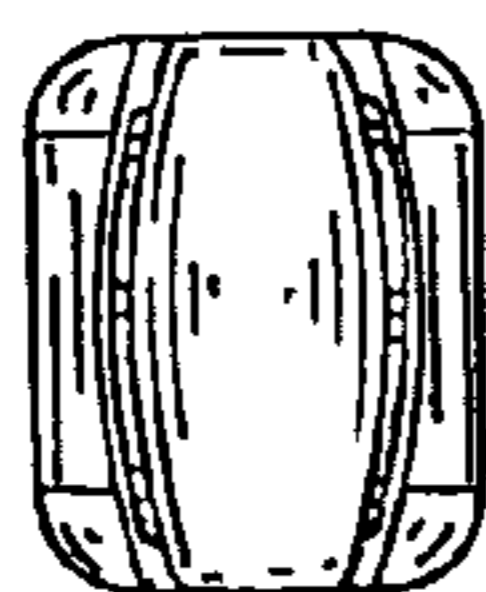


Fig. 7

