



US00D611786S

(12) **United States Design Patent**  
**Knapp**

(10) **Patent No.:** **US D611,786 S**

(45) **Date of Patent:** **\*\* Mar. 16, 2010**

(54) **OXYGEN TANK KEY**

D519,342 S \* 4/2006 Hartman et al. .... D8/28  
D525,493 S \* 7/2006 Hsieh ..... D8/27

(76) Inventor: **Joshua E. Knapp**, 104 W. 70<sup>th</sup> St.,  
Apartment 10B, New York, NY (US)  
10023

\* cited by examiner

*Primary Examiner*—Robert A Delehanty  
(74) *Attorney, Agent, or Firm*—Norman E. Lehrer

(\*\*) Term: **14 Years**

(57) **CLAIM**

(21) Appl. No.: **29/294,254**

The ornamental design for an “oxygen tank key,” as shown and described.

(22) Filed: **Dec. 31, 2007**

(51) **LOC (9) Cl.** ..... **08-05**

**DESCRIPTION**

(52) **U.S. Cl.** ..... **D8/28; D23/250**

FIG. 1 is a front elevational view of an “oxygen tank key” showing my new design;

(58) **Field of Classification Search** ..... D23/238–234,  
D23/249–254; 4/675–678; 137/801; 16/110.1;  
D8/308, 18, 21, 28; 81/119, 121.1, 58, 489  
See application file for complete search history.

FIG. 2 is a top plan view thereof;

FIG. 3 is a rear elevational view thereof;

FIG. 4 is a bottom plan view thereof;

FIG. 5 is a right side elevational view thereof, the left side being identical thereto; and,

FIG. 6 is a perspective view thereof.

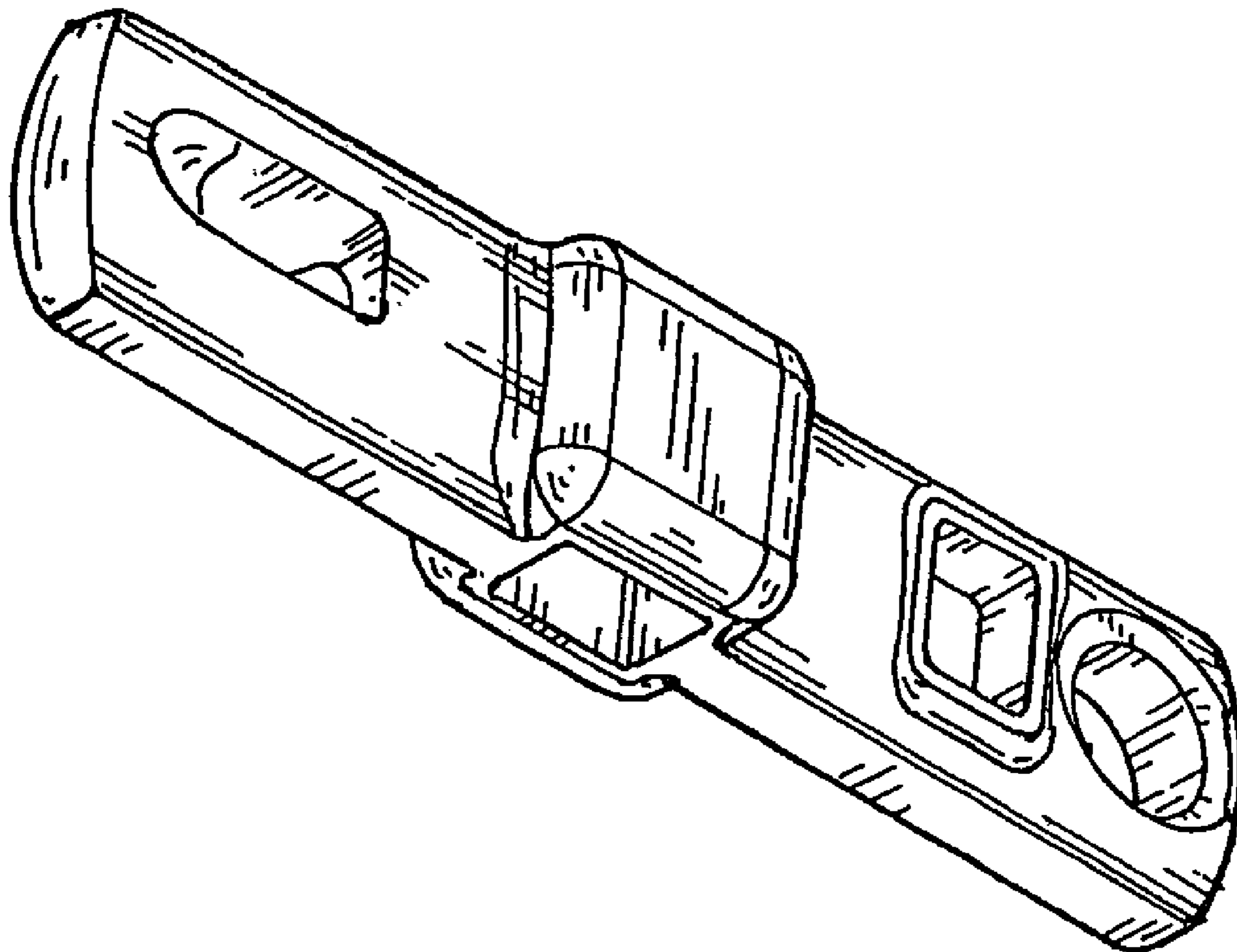
The broken lines in FIG. 4, which define the bounds of the claimed design, form no part thereof.

(56) **References Cited**

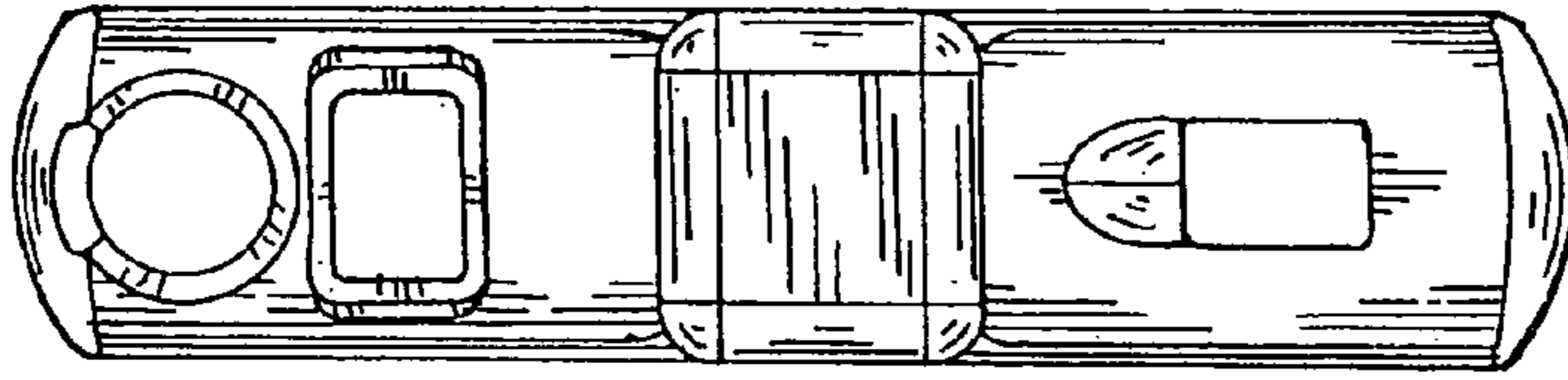
U.S. PATENT DOCUMENTS

D115,301 S *	6/1939	Spexarth .....	D8/28
D117,071 S *	10/1939	McIntosh .....	D23/238
3,465,379 A *	9/1969	Forte Joan M .....	D23/252
D249,060 S *	8/1978	Ratnik .....	D23/250
D285,948 S *	9/1986	Mazzoleni .....	D8/17
D389,710 S *	1/1998	Baber .....	D8/28

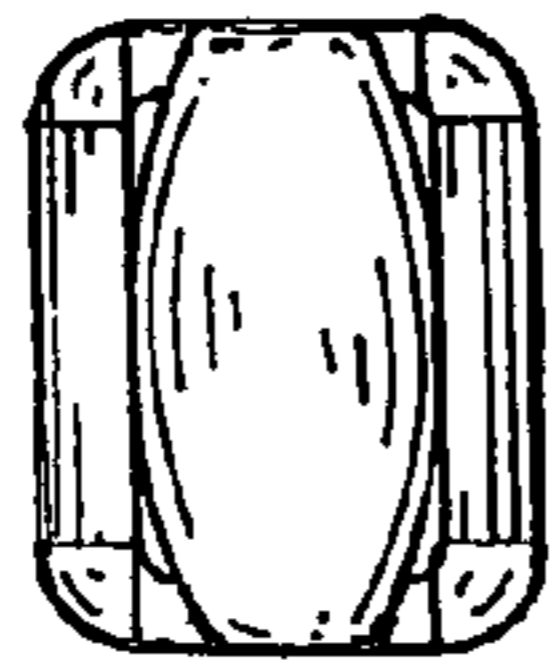
**1 Claim, 1 Drawing Sheet**



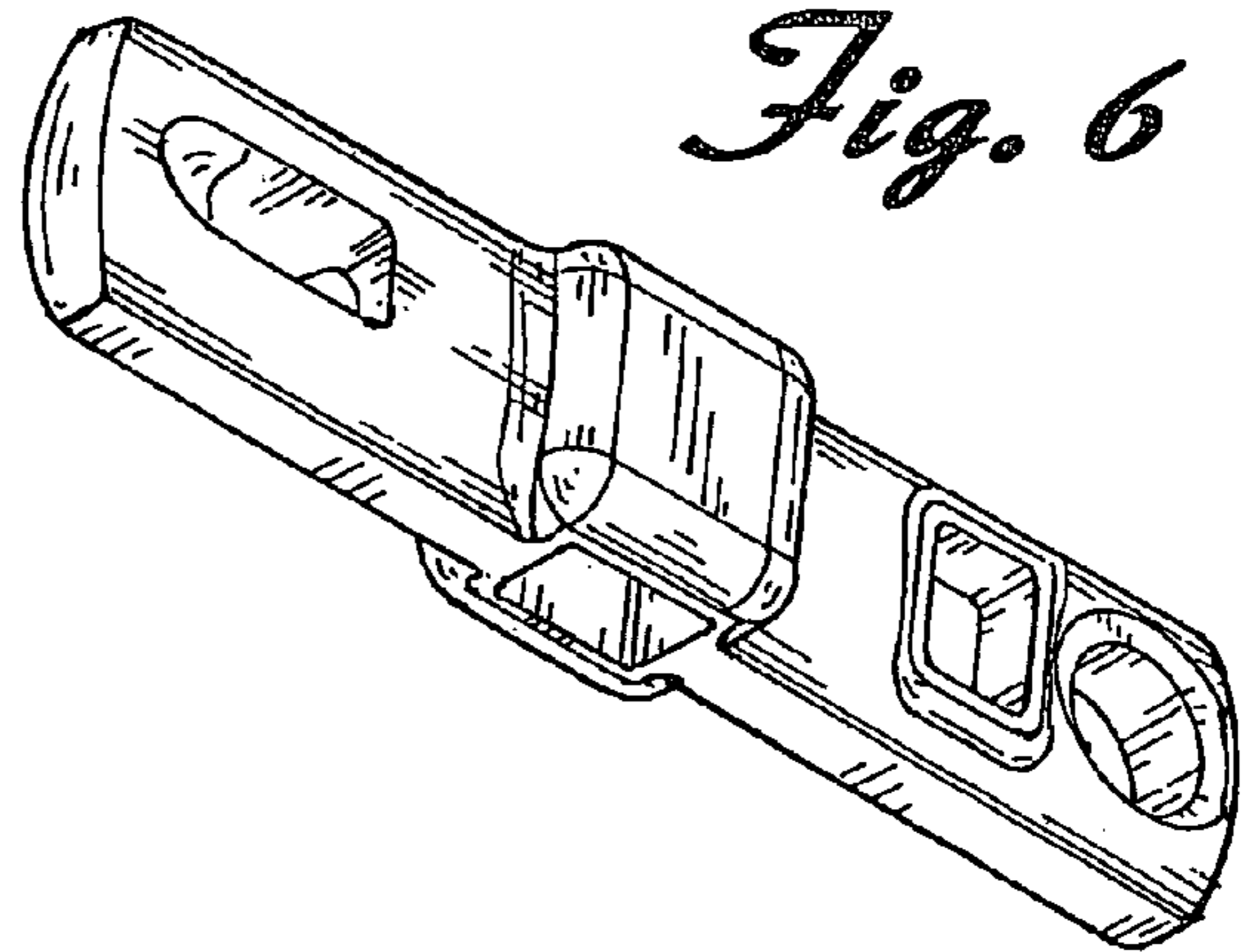
*Fig. 1*



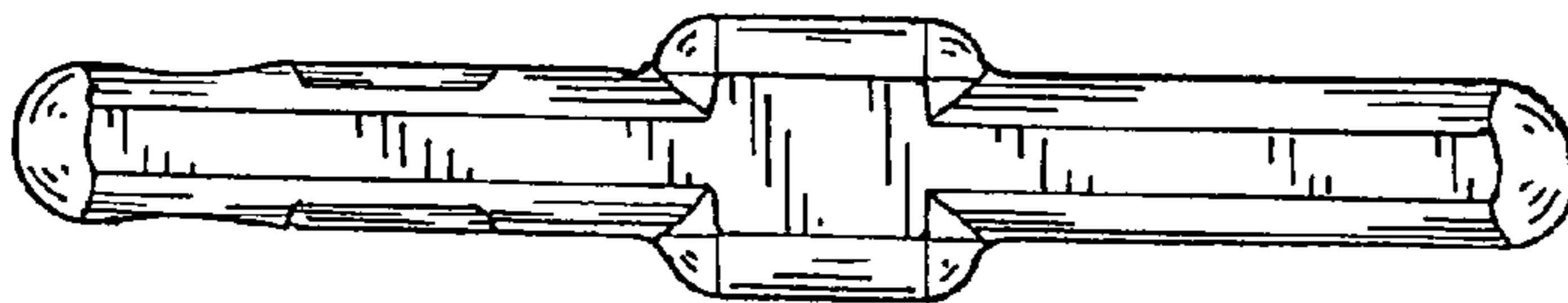
*Fig. 5*



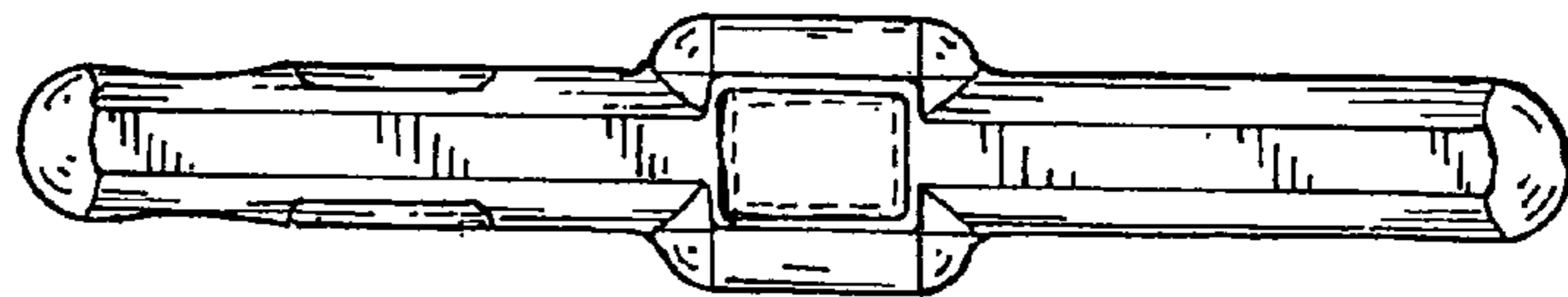
*Fig. 6*



*Fig. 2*



*Fig. 4*



*Fig. 3*

