



US00D611781S

(12) **United States Design Patent**  
**Sagedy**

(10) **Patent No.:** **US D611,781 S**  
(45) **Date of Patent:** **\*\* Mar. 16, 2010**

(54) **CHRISTMAS TREE WATERING DEVICE**

(76) Inventor: **Robert S. Sagedy**, 60 G St., Seaside Park, NJ (US) 08752

(\*\*) Term: **14 Years**

(21) Appl. No.: **29/325,106**

(22) Filed: **Sep. 25, 2008**

(51) **LOC (9) Cl.** ..... **08-01**

(52) **U.S. Cl.** ..... **D8/1**

(58) **Field of Classification Search** ..... D8/1;  
47/40.5, 48.5; D11/130; D7/700

See application file for complete search history.

(56) **References Cited**

U.S. PATENT DOCUMENTS

|           |     |         |                  |         |
|-----------|-----|---------|------------------|---------|
| 4,850,137 | A * | 7/1989  | Foster           | 47/79   |
| D338,600  | S * | 8/1993  | Baezzo           | D8/1    |
| 5,349,997 | A   | 9/1994  | Rial             |         |
| 5,410,839 | A   | 5/1995  | Granger          |         |
| D359,889  | S * | 7/1995  | Hayes            | D8/1    |
| 5,473,838 | A * | 12/1995 | Denbigh          | 47/40.5 |
| D373,939  | S   | 9/1996  | Swerdlick et al. |         |
| D375,026  | S * | 10/1996 | Ronald           | D8/1    |
| 5,615,516 | A * | 4/1997  | Brown            | 47/40.5 |
| D380,946  | S * | 7/1997  | Peaphon          | D8/1    |
| 5,661,926 | A * | 9/1997  | Granger          | 47/40.5 |
| 5,791,083 | A   | 8/1998  | Giangrossi       |         |
| 5,809,691 | A * | 9/1998  | Frantz           | 47/40.5 |
| 5,867,929 | A * | 2/1999  | Jung et al.      | 47/40.5 |
| 5,894,695 | A * | 4/1999  | Stellatos        | 47/40.5 |
| D417,596  | S * | 12/1999 | Crowder          | D8/1    |
| 6,073,390 | A   | 6/2000  | Baudier          |         |
| 6,082,043 | A * | 7/2000  | Andrews          | 47/40.5 |
| D436,006  | S * | 1/2001  | DeMarino         | D8/1    |

|              |      |         |                  |         |
|--------------|------|---------|------------------|---------|
| 6,167,651    | B1   | 1/2001  | Luddy            |         |
| D448,632     | S *  | 10/2001 | D'eath           | D8/1    |
| 6,347,479    | B1 * | 2/2002  | Greenberg et al. | 47/48.5 |
| 6,367,195    | B1 * | 4/2002  | Heyworth         | 47/40.5 |
| D465,388     | S *  | 11/2002 | Rhea             | D8/1    |
| 6,966,334    | B2 * | 11/2005 | Bolster          | 137/434 |
| D555,991     | S *  | 11/2007 | Shepardson       | D8/1    |
| D565,912     | S *  | 4/2008  | Diekmann et al.  | D8/1    |
| 2004/0148852 | A1 * | 8/2004  | Musak            | 47/40.5 |
| 2004/0261854 | A1 * | 12/2004 | Bolster          | 137/434 |
| 2005/0204617 | A1 * | 9/2005  | Sowers           | 47/40.5 |

\* cited by examiner

*Primary Examiner*—Holly H Baynham

*Assistant Examiner*—Sheryl Lane

(57) **CLAIM**

The ornamental design for a Christmas tree watering device, as shown.

**DESCRIPTION**

FIG. 1 is a perspective view of a Christmas tree watering device;

FIG. 2 is a side view thereof;

FIG. 3 is a back view thereof;

FIG. 4 is a front view thereof;

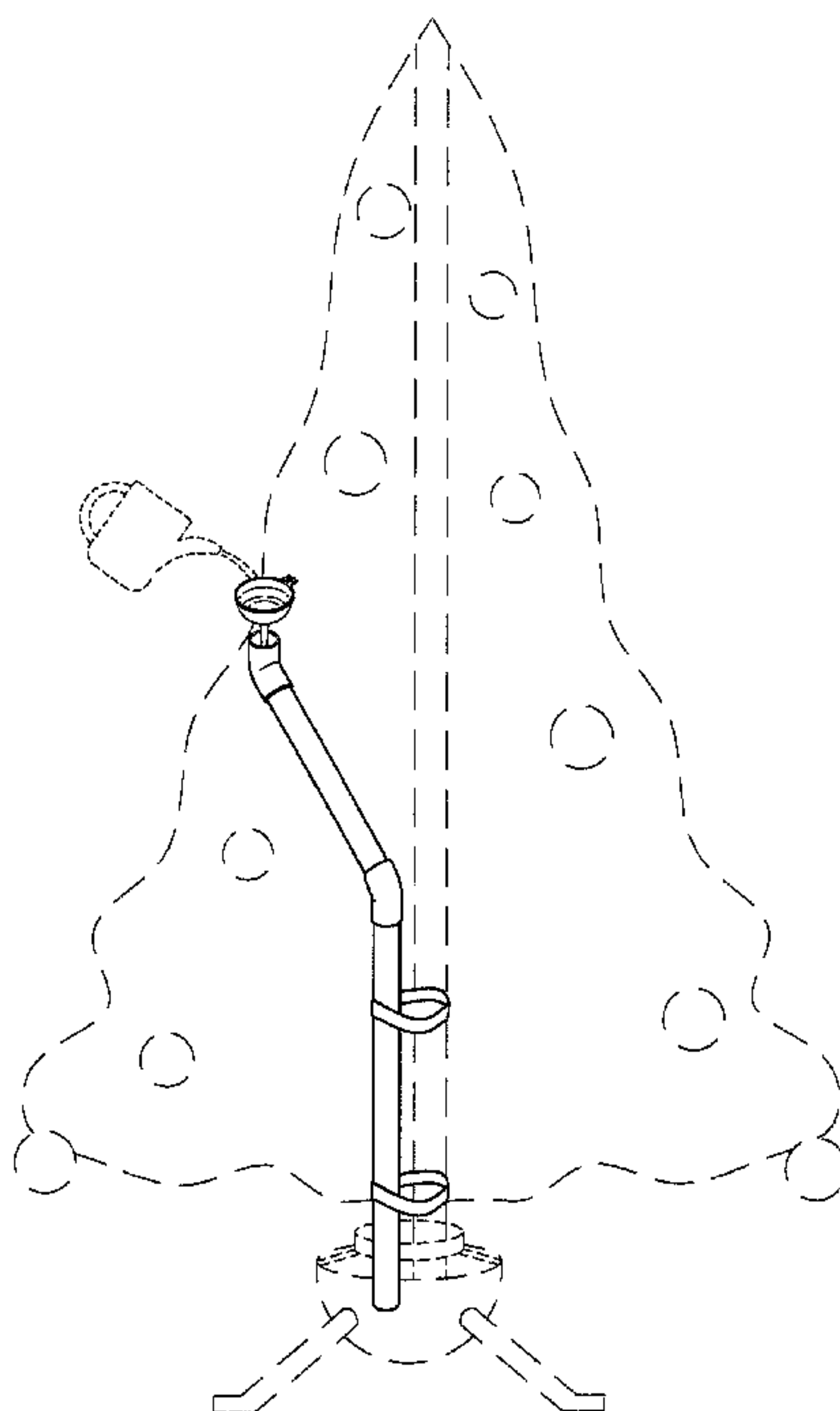
FIG. 5 is a top view thereof;

FIG. 6 is a bottom view thereof; and,

FIG. 7 is a perspective view thereof.

The broken line showing of the Christmas tree is included for the purpose of illustrating environment and forms no part of the claimed design.

**1 Claim, 5 Drawing Sheets**



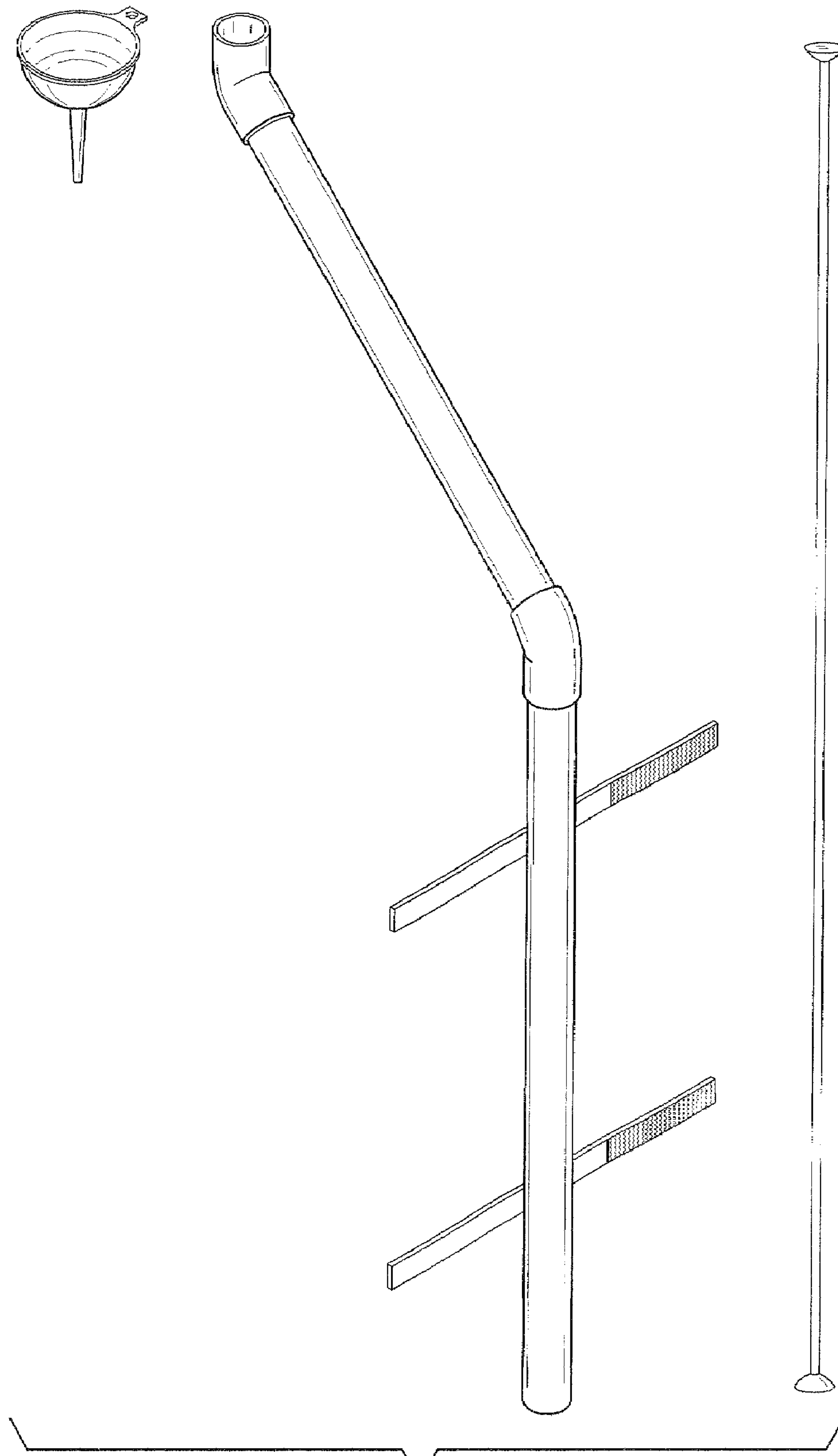


FIG. 1

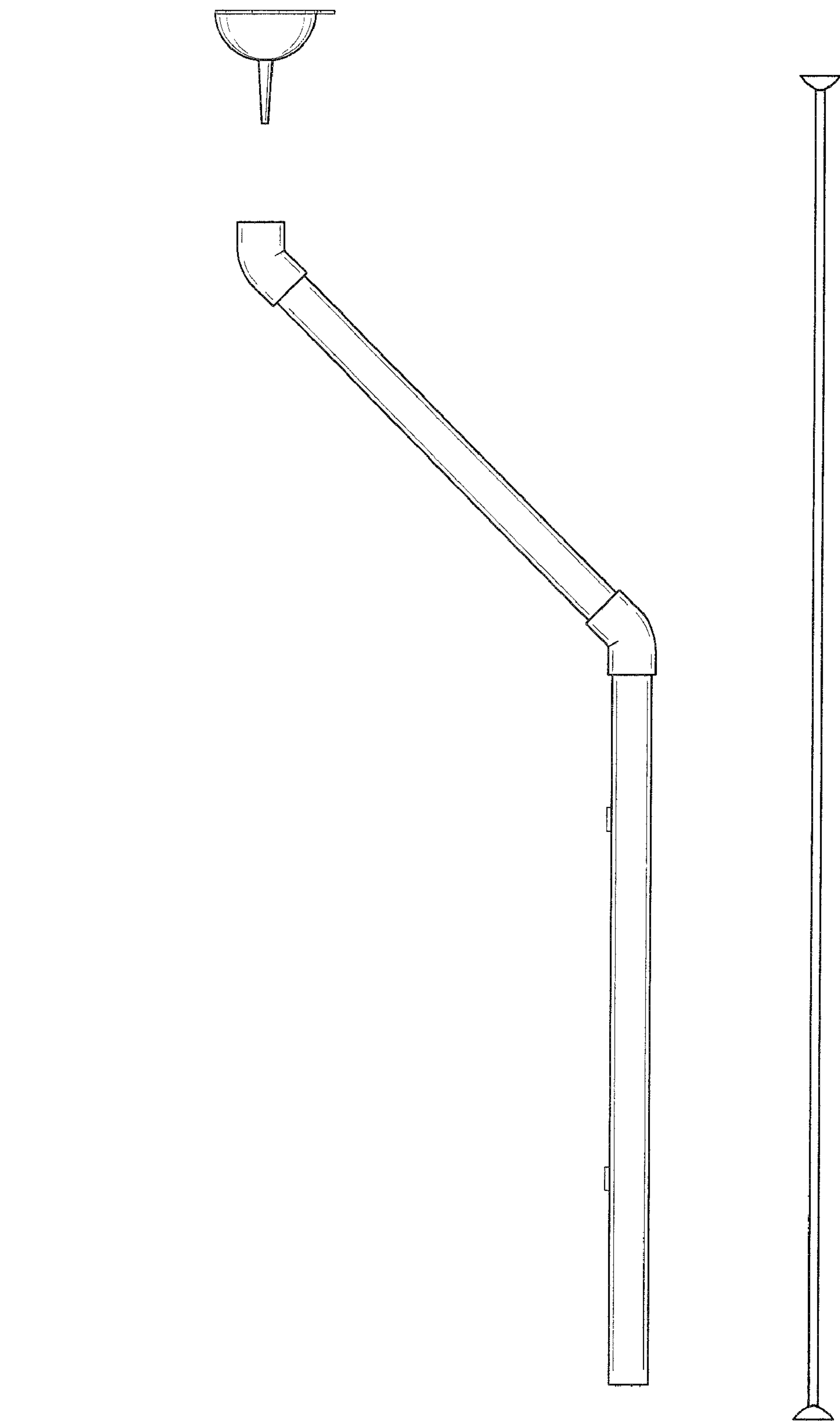


FIG. 2

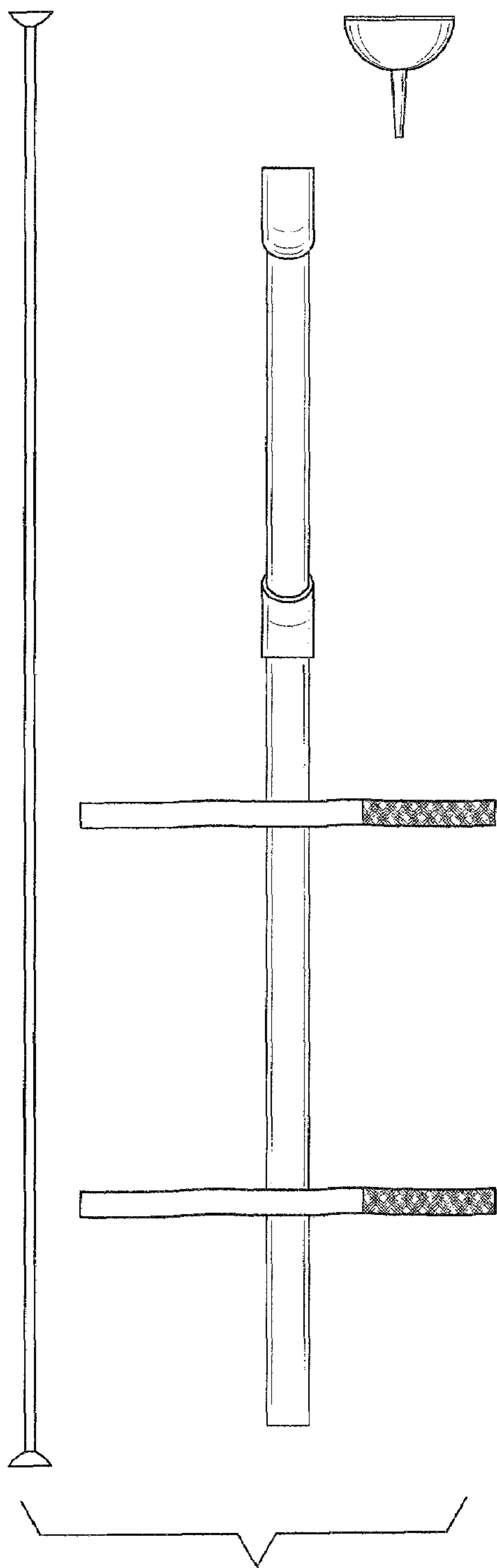


FIG. 3

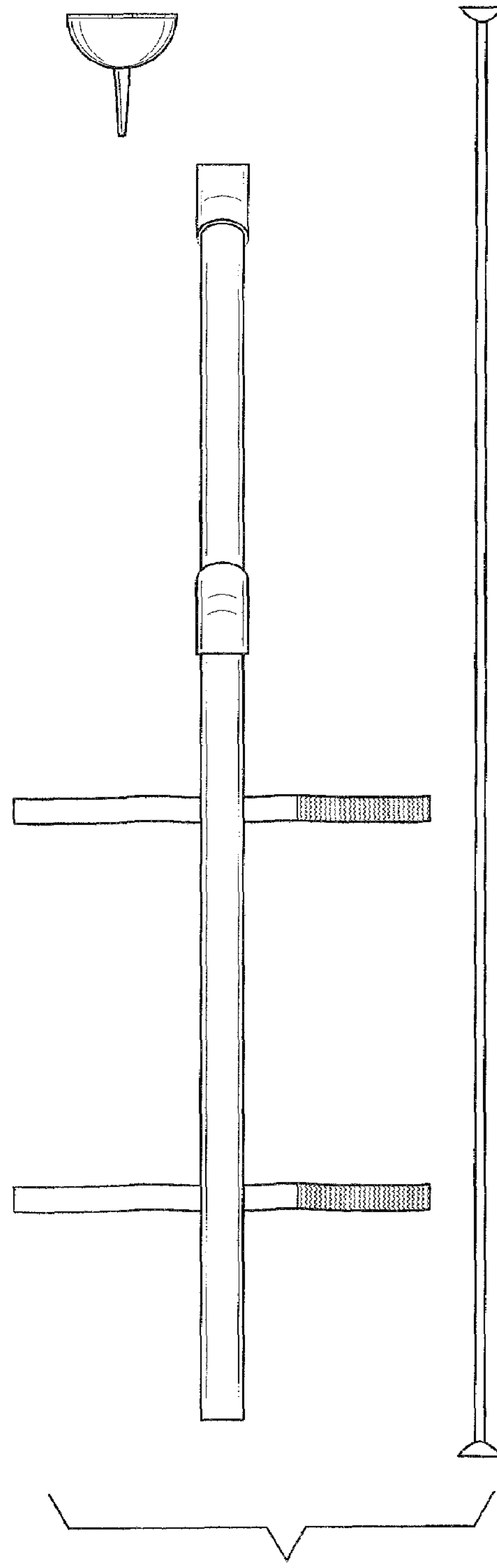


FIG. 4

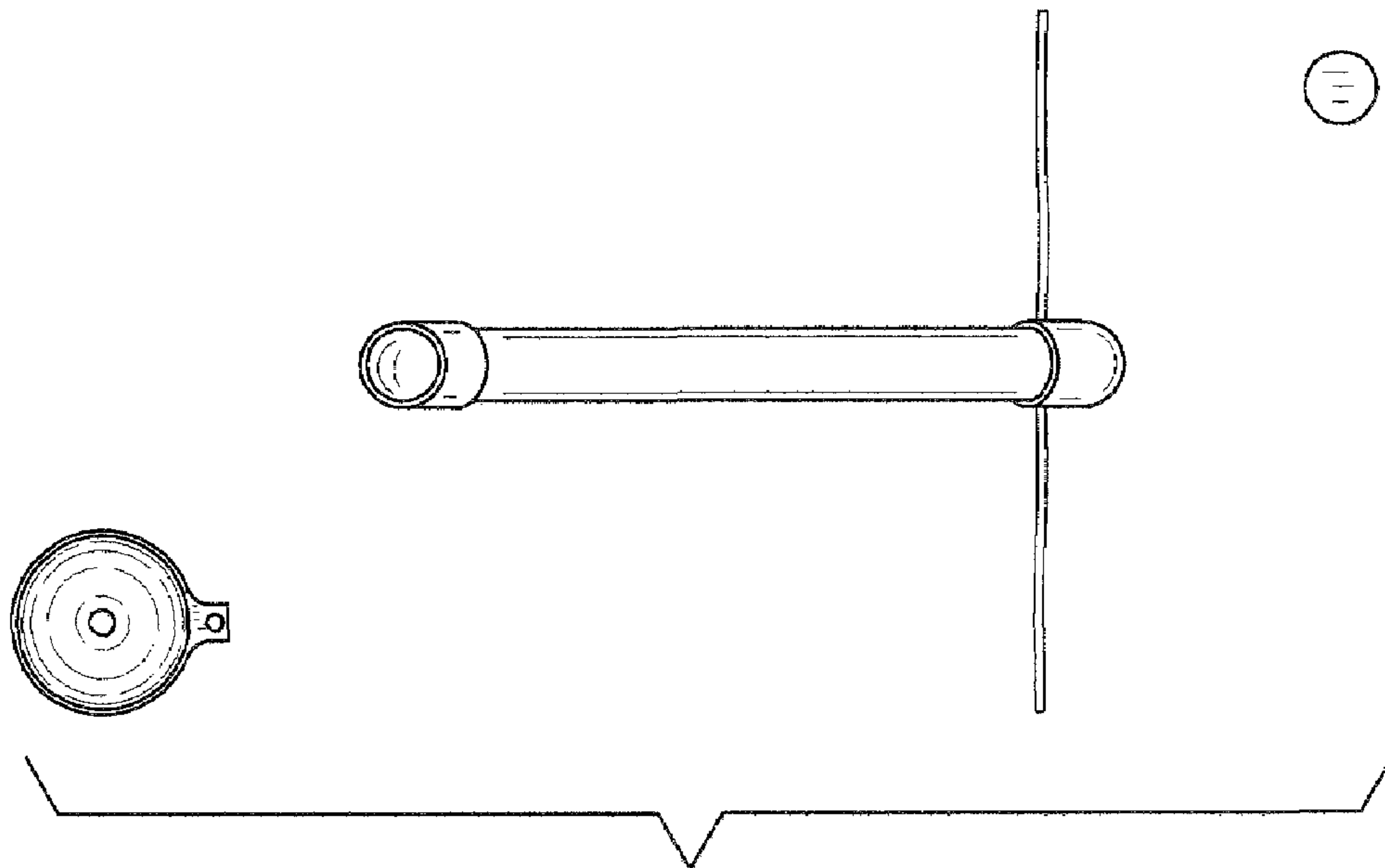


FIG. 5

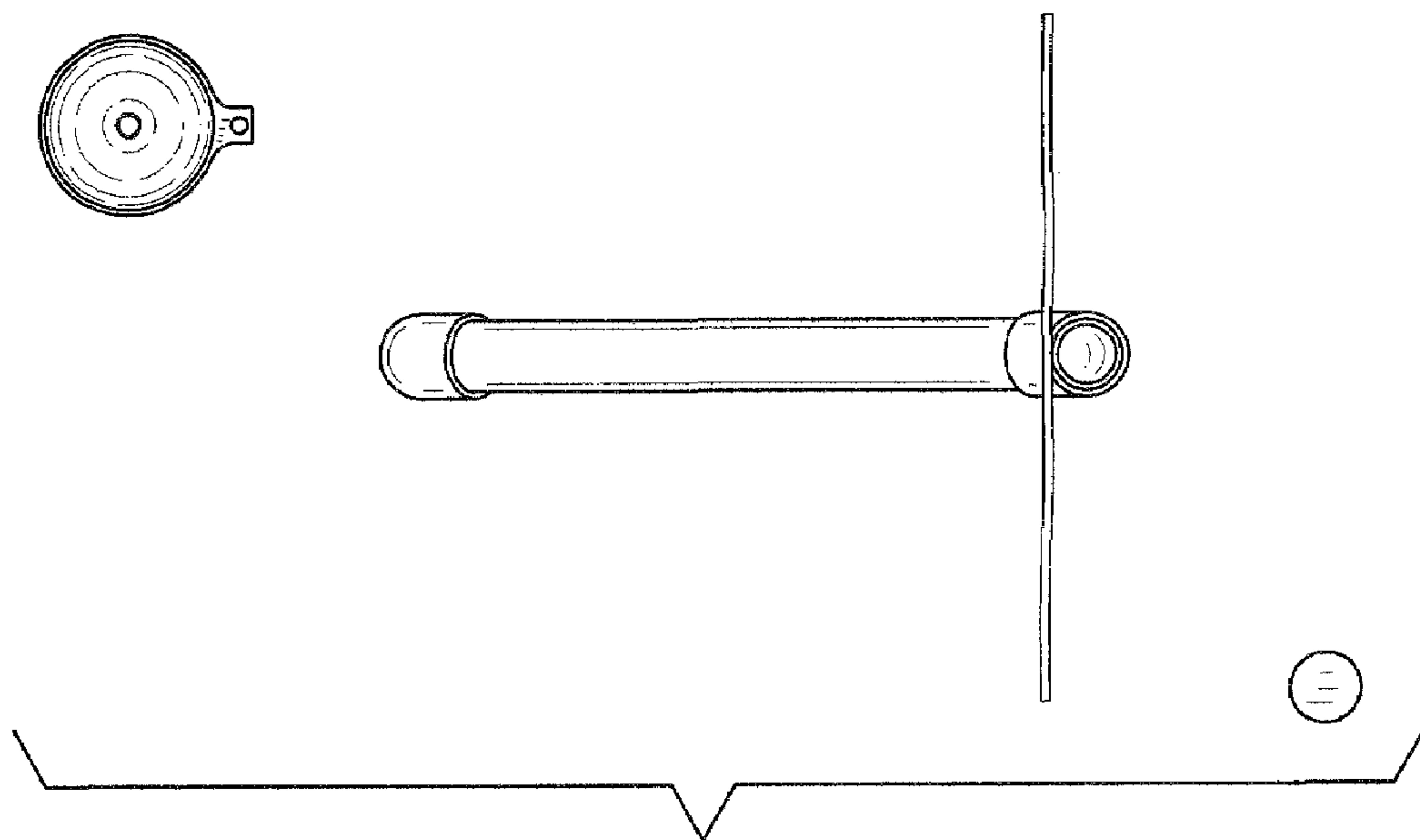


FIG. 6

FIG. 7

