



US00D611780S

(12) **United States Design Patent**
Laib

(10) **Patent No.:** **US D611,780 S**
(45) **Date of Patent:** **** Mar. 16, 2010**

(54) **VEGETABLE PEELER**

(75) Inventor: **Douglas M. Laib**, Orlando, FL (US)

(73) Assignee: **Dart Industries Inc.**, Orlando, FL (US)

(**) Term: **14 Years**

(21) Appl. No.: **29/314,660**

(22) Filed: **Apr. 16, 2009**

(51) **LOC (9) Cl.** **07-04**

(52) **U.S. Cl.** **D7/695**

(58) **Field of Classification Search** D7/693-695,
D7/393, 395; 30/120.1, 280, 304, 123.5,
30/294, 279.6; 99/495, 584, 588; 241/92-95,
241/169, 168, 169.1, 273.1-273.5

See application file for complete search history.

(56) **References Cited**

U.S. PATENT DOCUMENTS

D332,034 S *	12/1992	Viemeister	D7/695
D354,888 S *	1/1995	Cousins	D7/695
D407,277 S *	3/1999	Cousins	D7/695
D407,278 S *	3/1999	Cousins	D7/695
D420,867 S *	2/2000	Lion et al.	D7/695

FOREIGN PATENT DOCUMENTS

DE 20 2004 012 171 U1 1/2006

* cited by examiner

Primary Examiner—Terry A Wallace

(74) *Attorney, Agent, or Firm*—John A. Doninger

(57) **CLAIM**

The ornamental design for a vegetable peeler, as shown and described.

DESCRIPTION

FIG. 1 is a bottom, side and front perspective view of the first embodiment of a vegetable peeler with a blade shown in phantom lines showing my new design;

FIG. 2 is a front elevation view thereof;

FIG. 3 is a right side elevation view thereof;

FIG. 4 is a rear elevation view thereof;

FIG. 5 is a left side elevation view thereof;

FIG. 6 is a top plan view thereof;

FIG. 7 is a bottom plan view thereof;

FIG. 8 is a bottom, side and front perspective view thereof in an alternate embodiment, the blade shown in phantom lines showing my new design.

FIG. 9 is a front elevation view thereof;

FIG. 10 is a right side elevation view thereof;

FIG. 11 is a rear elevation view thereof;

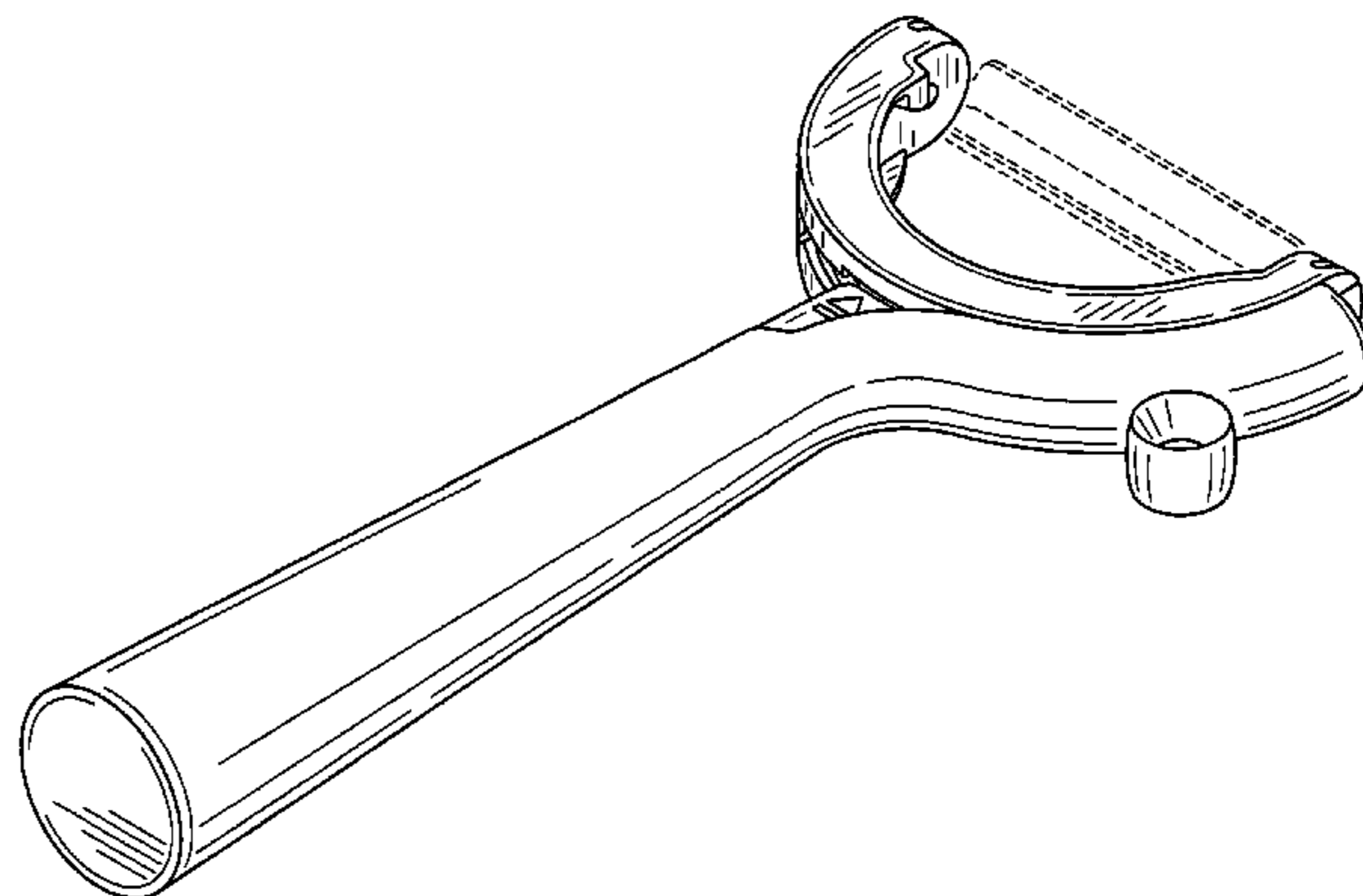
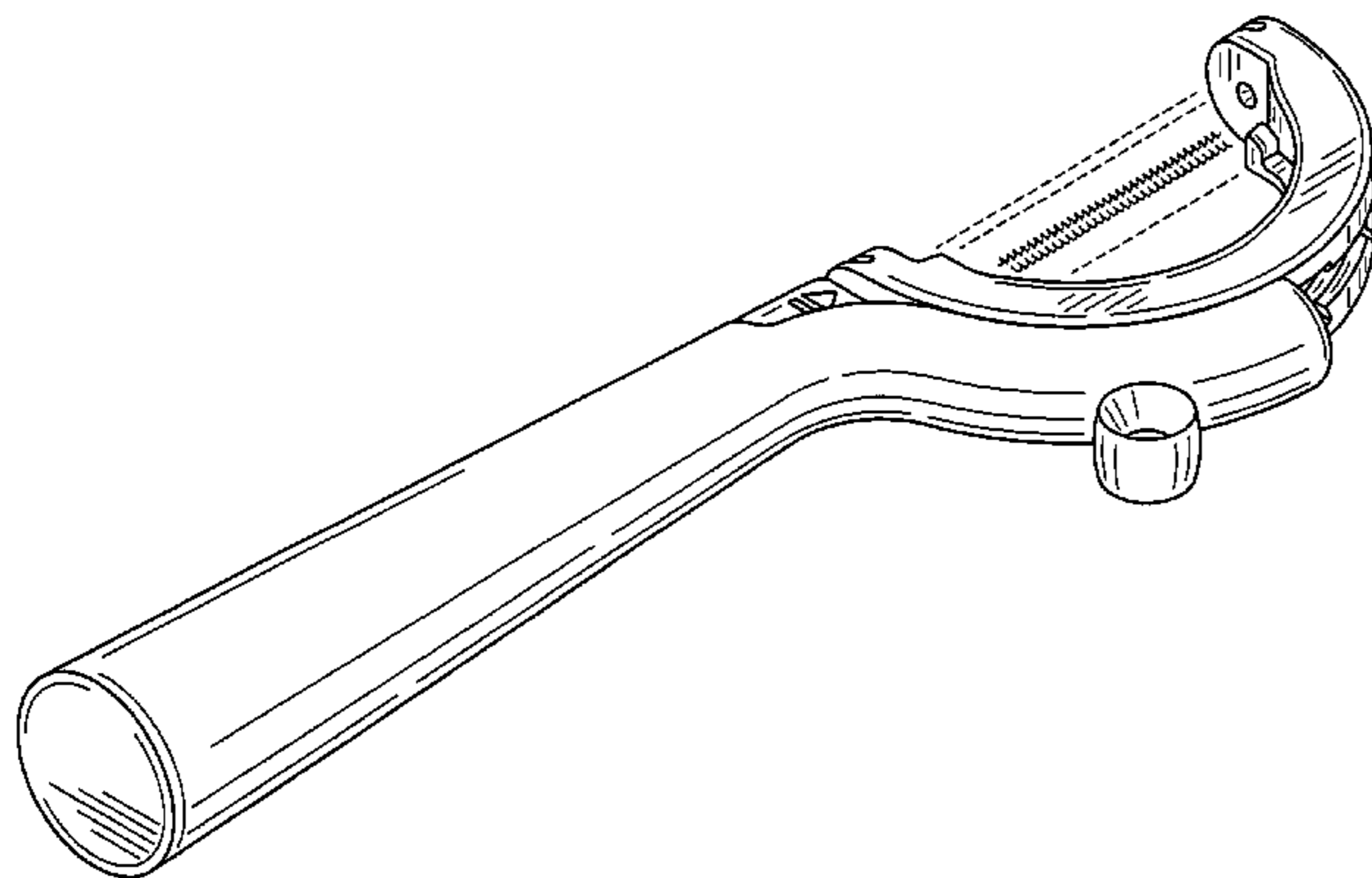
FIG. 12 is a left side elevation view thereof;

FIG. 13 is a top plan view thereof; and,

FIG. 14 is a bottom plan view thereof.

The broken lines of the blade are for illustrative purposes only and form no part of the claimed design.

1 Claim, 6 Drawing Sheets



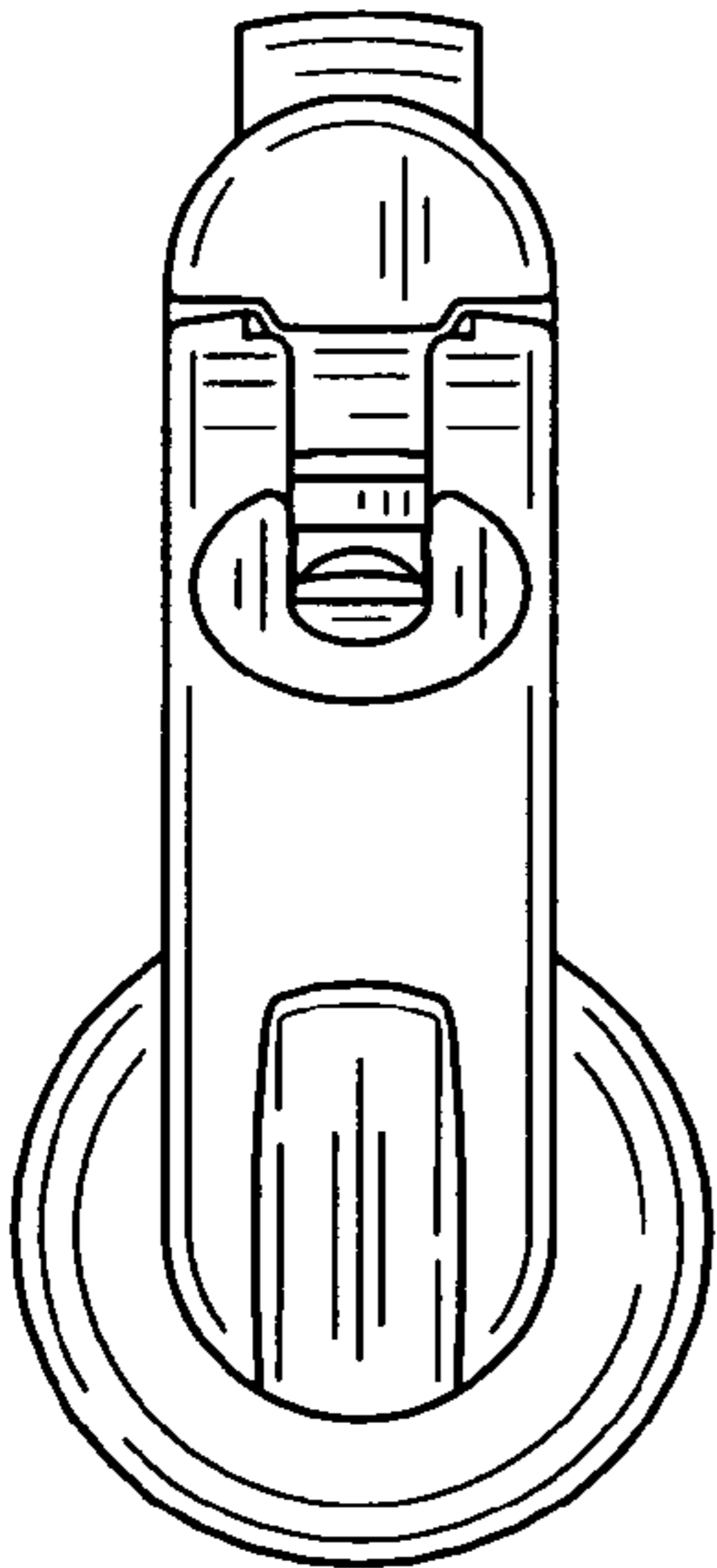


FIG. 6

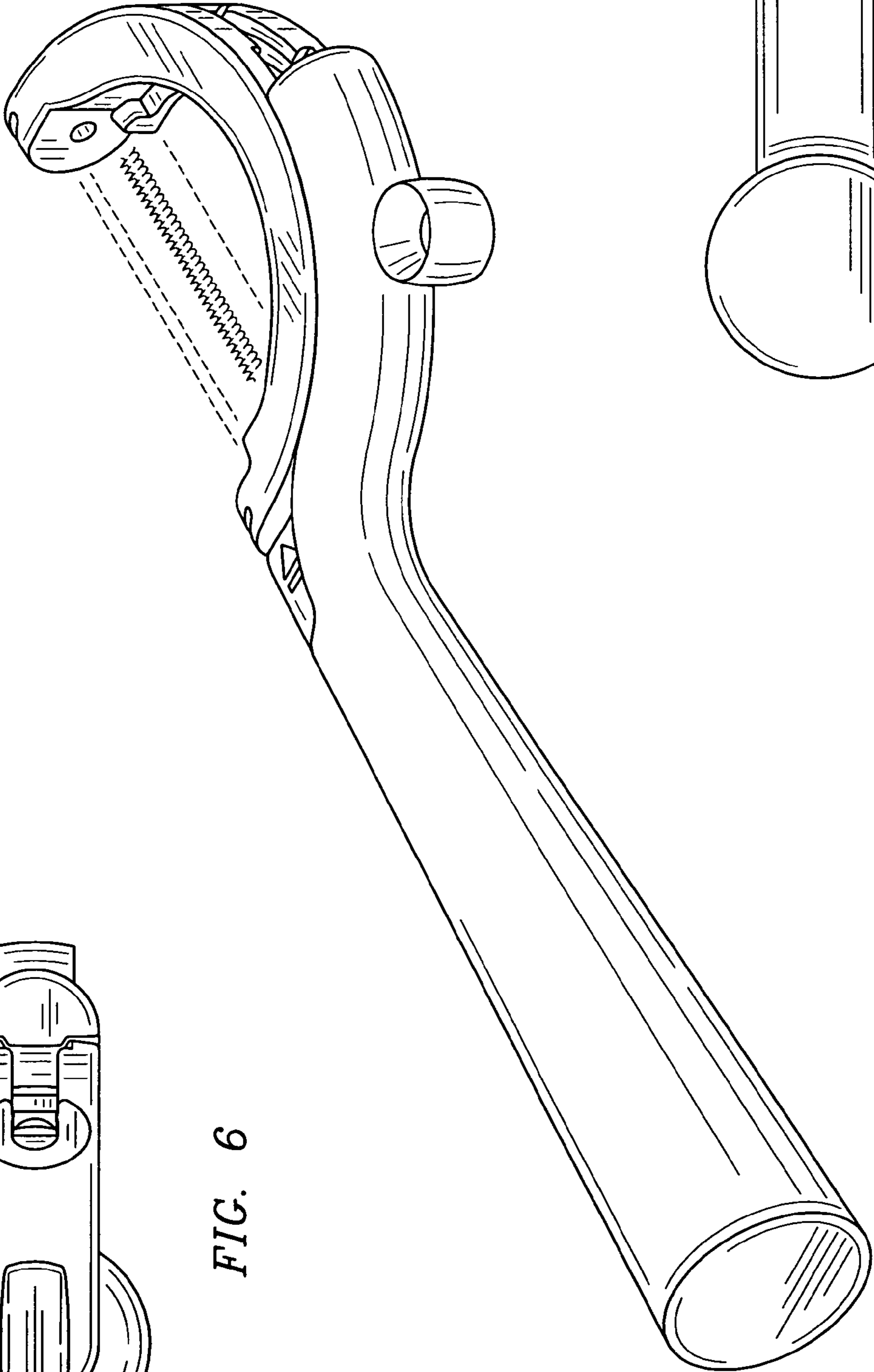


FIG. 1

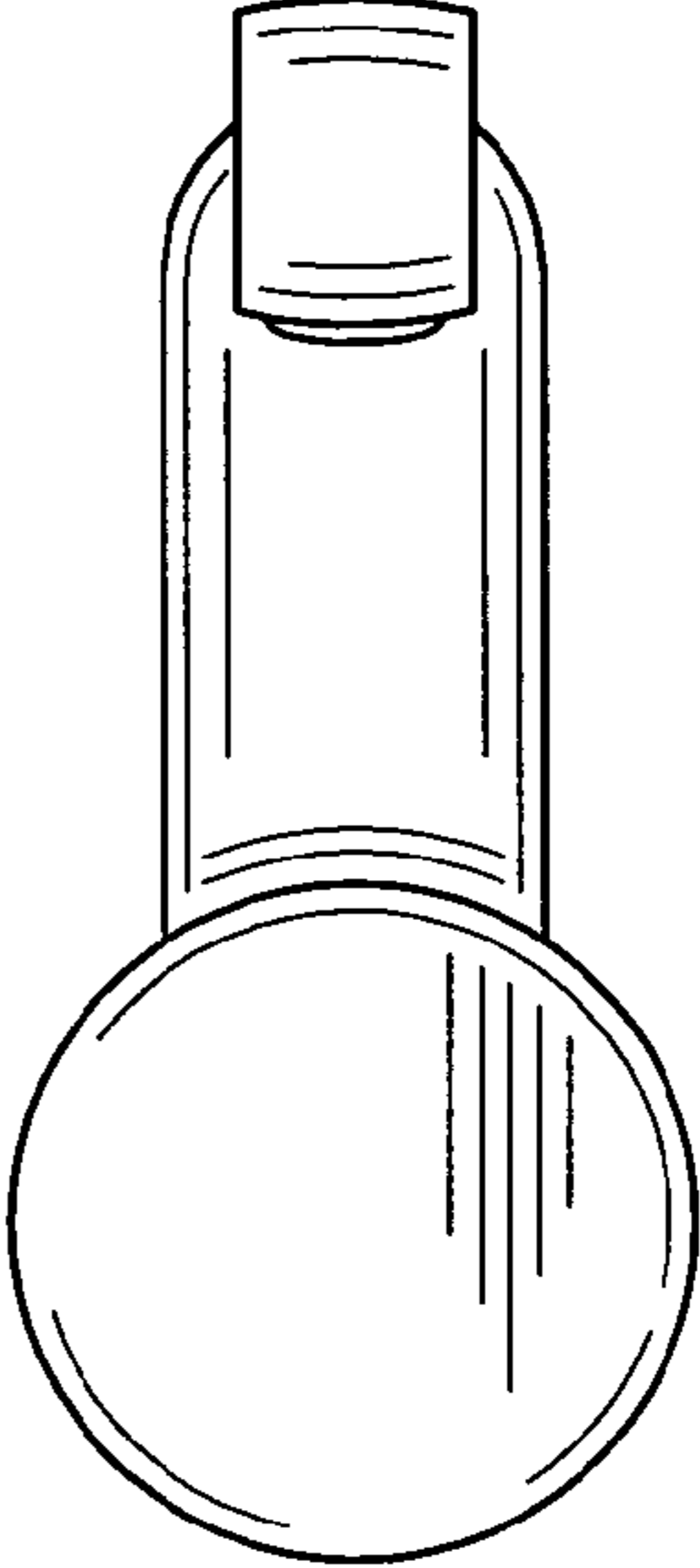


FIG. 7

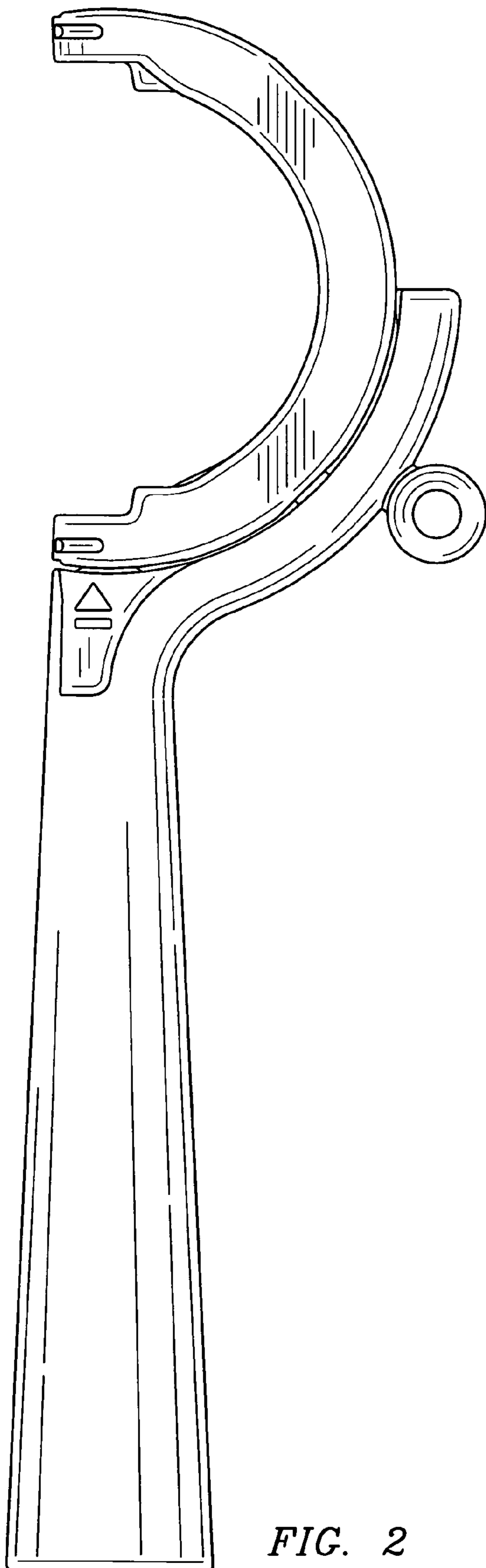
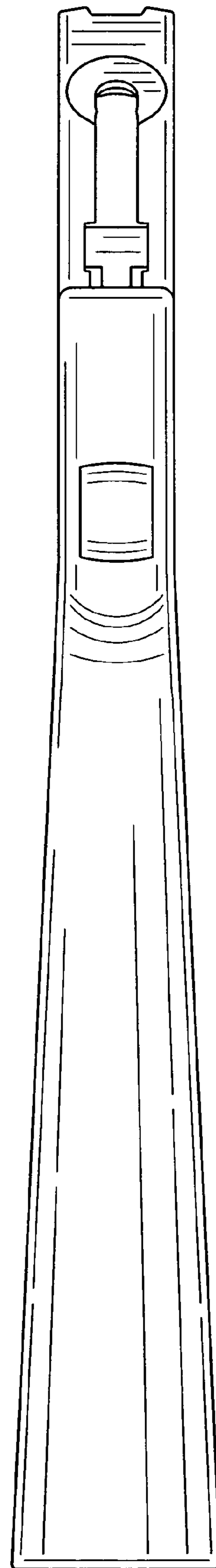


FIG. 3



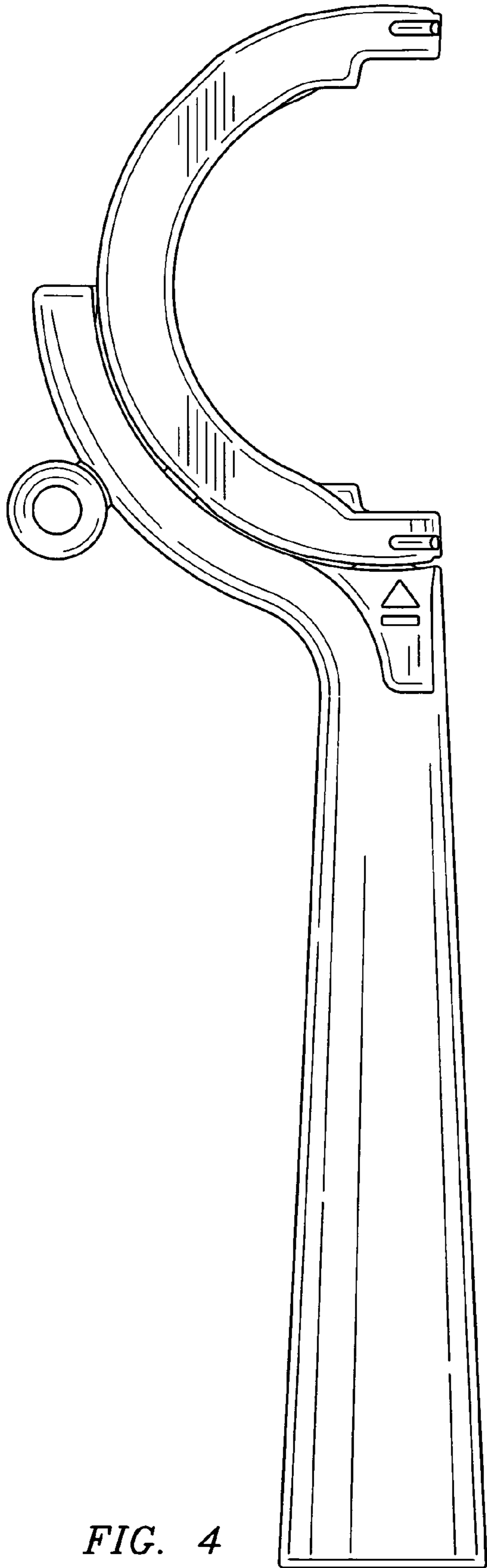


FIG. 4

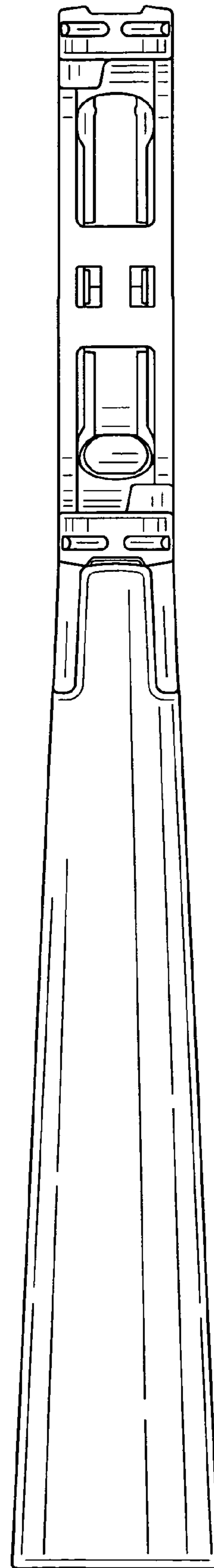


FIG. 5

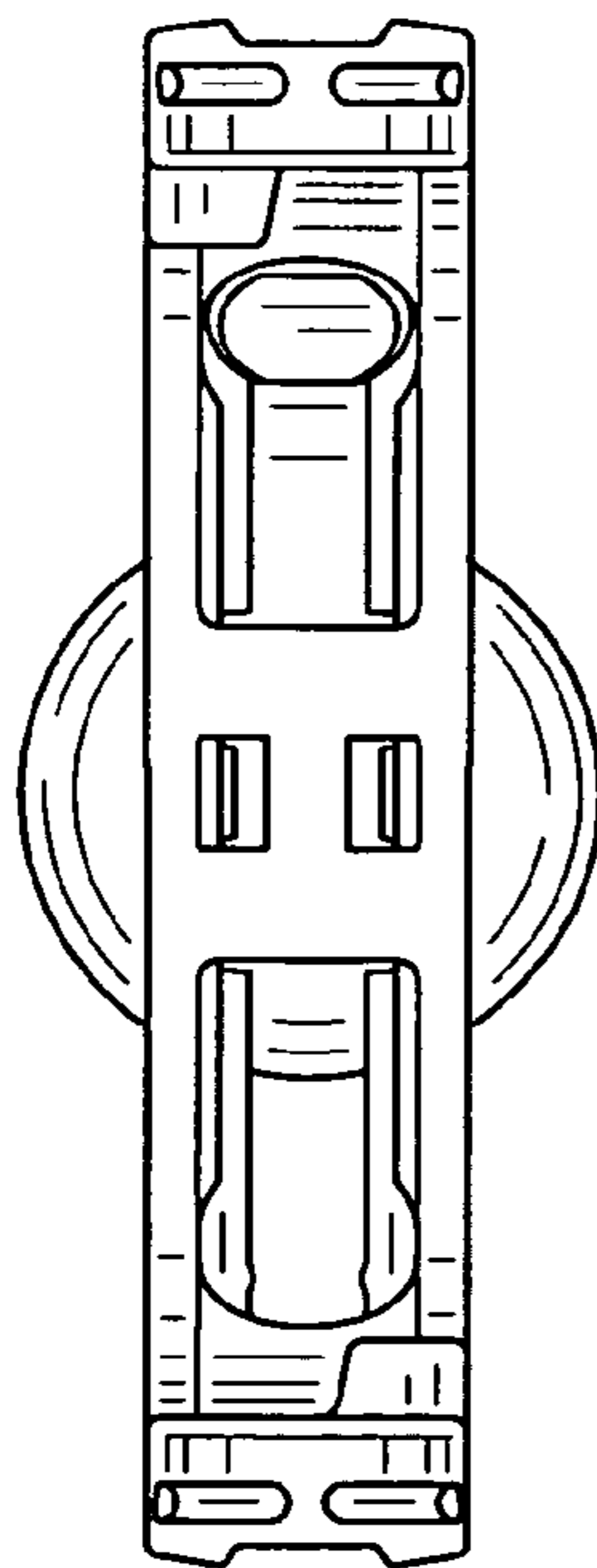


FIG. 13

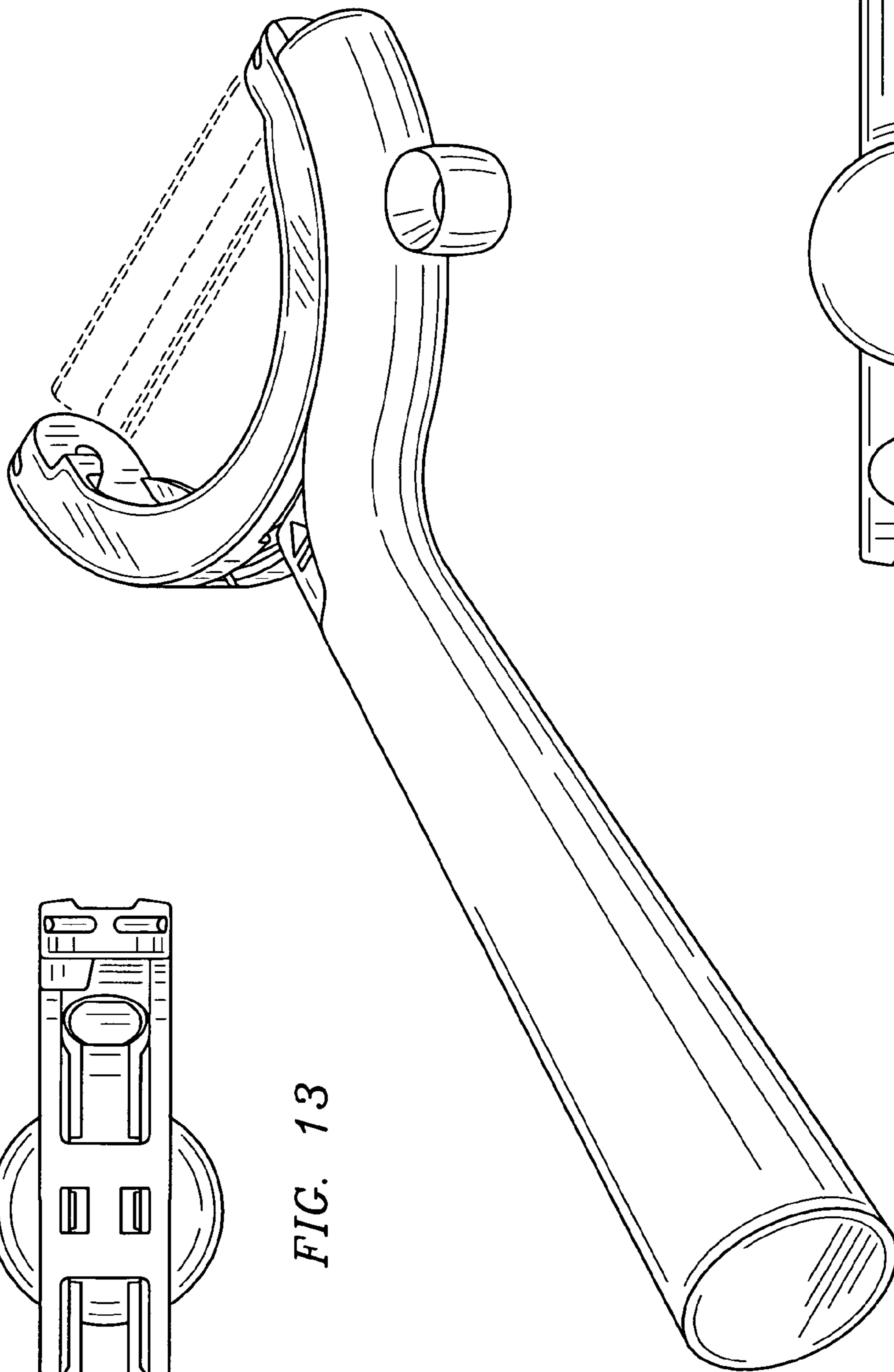


FIG. 8

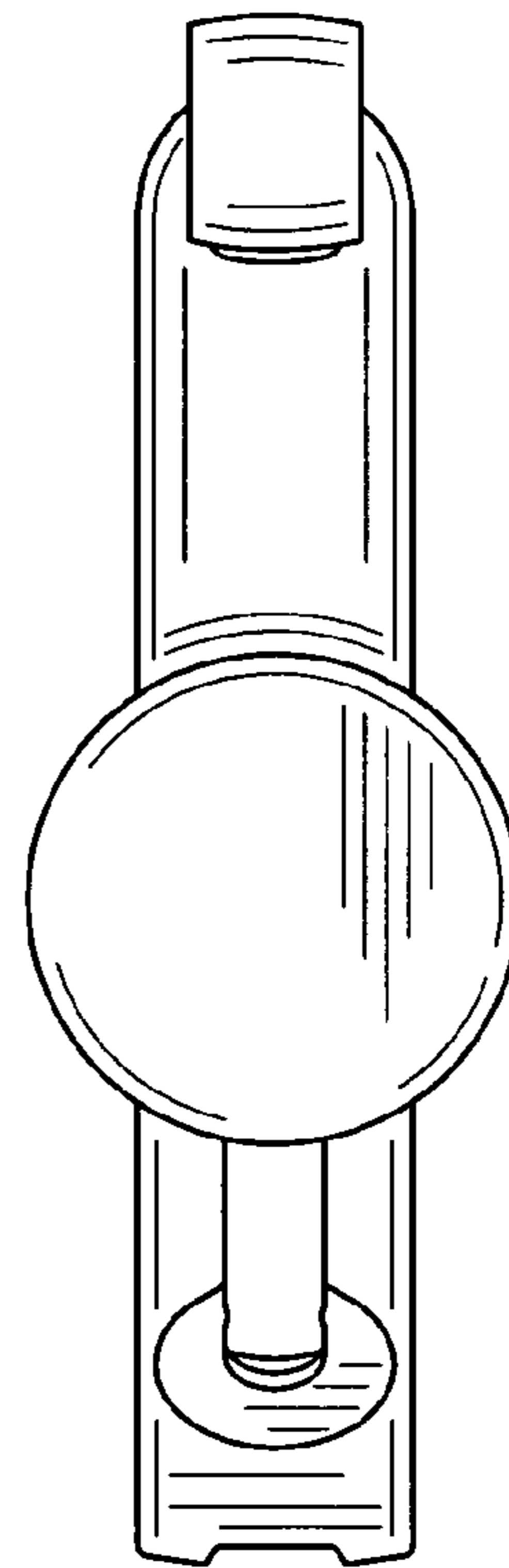


FIG. 14

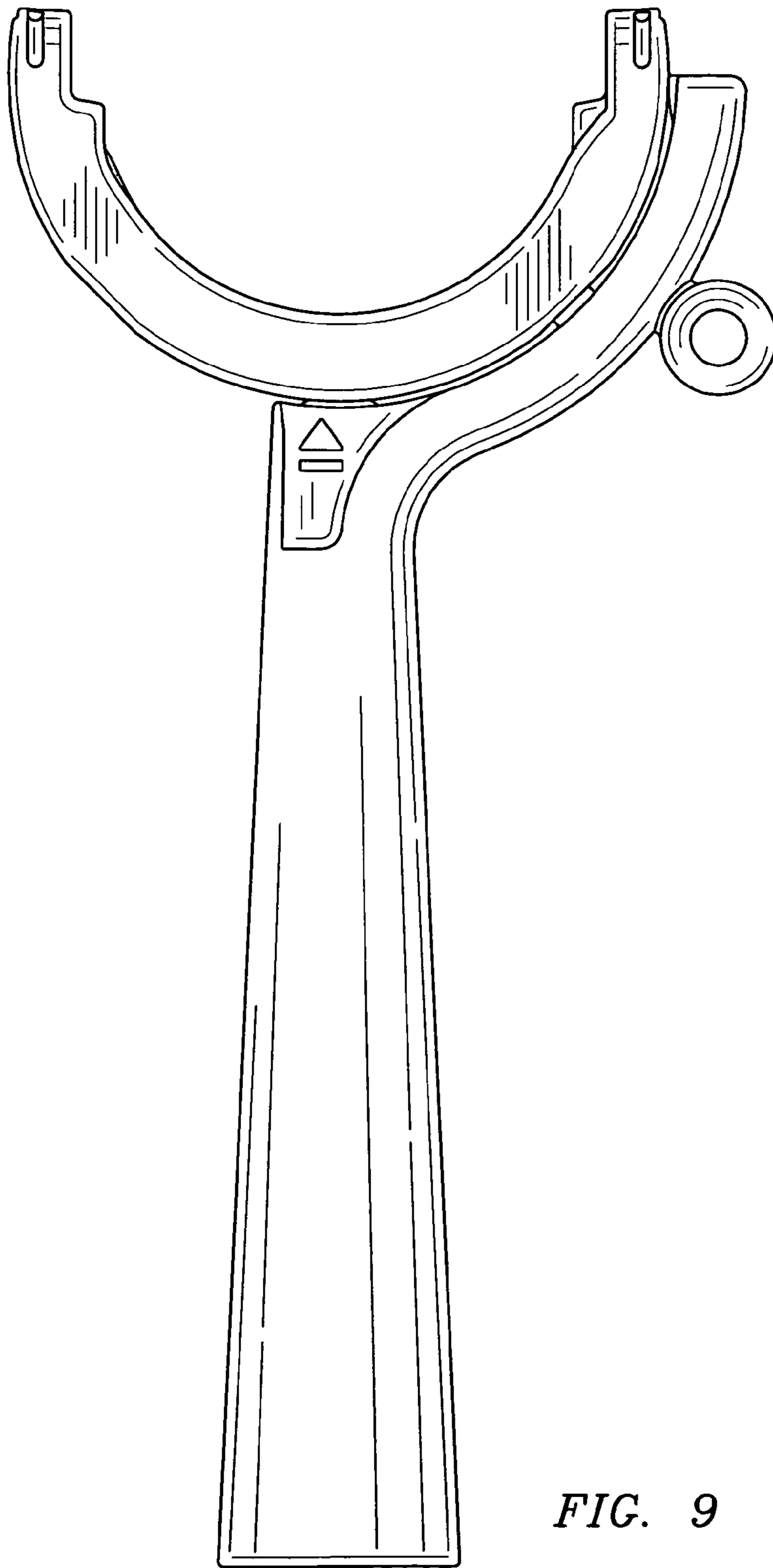


FIG. 9

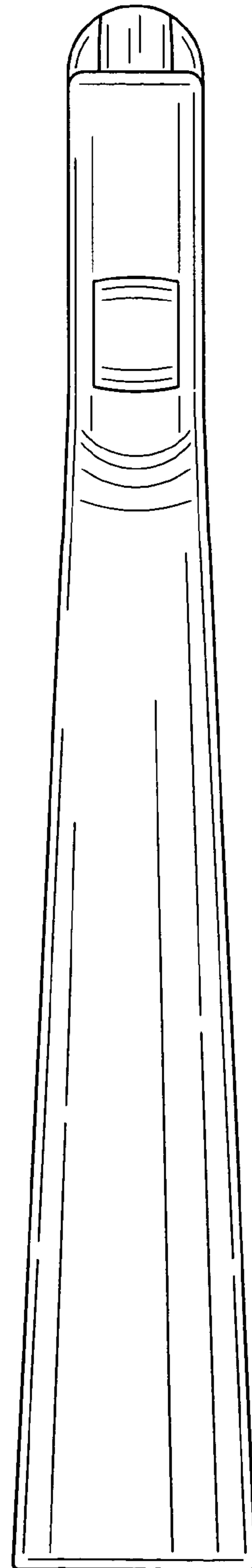


FIG. 10

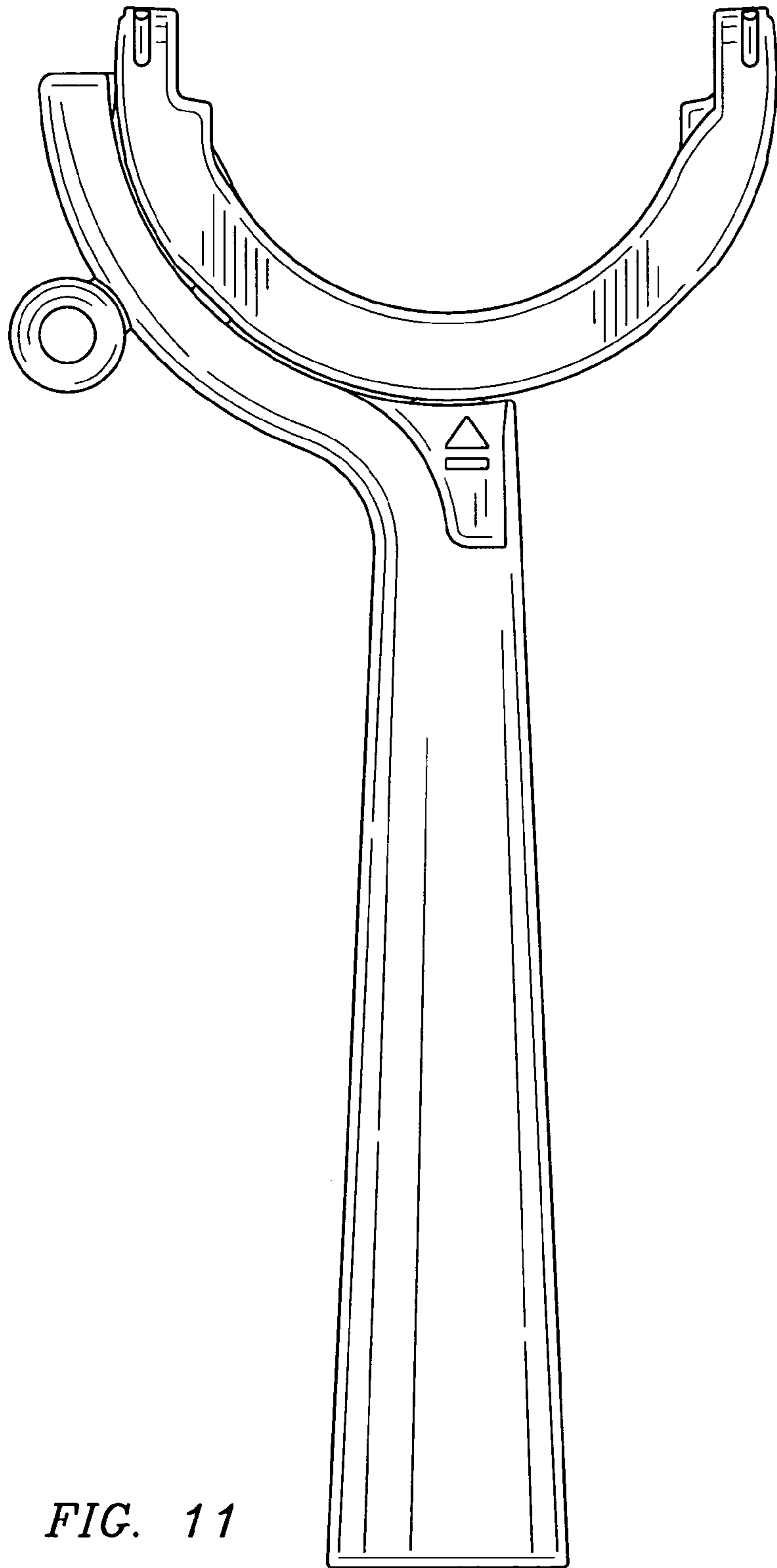


FIG. 11

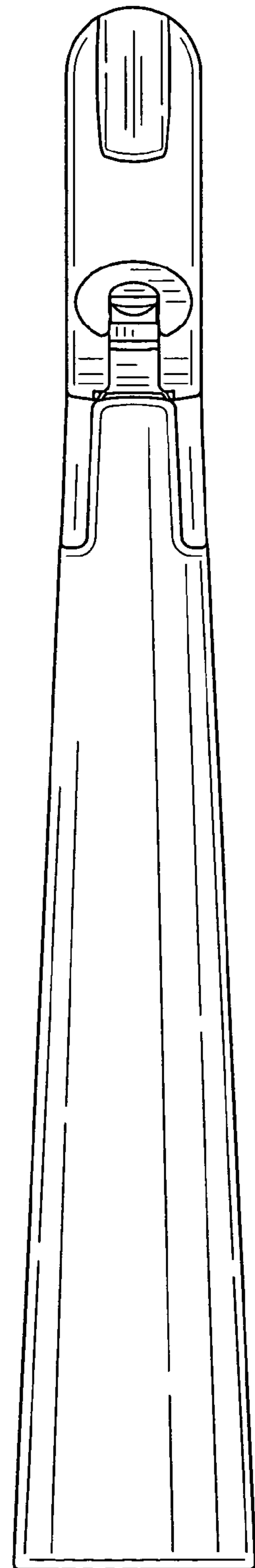


FIG. 12