



US00D611763S

(12) **United States Design Patent**
Tipton et al.

(10) **Patent No.:** **US D611,763 S**
(45) **Date of Patent:** **** Mar. 16, 2010**

(54) **IGNITOR FOR CHARCOAL BRIQUETTES WITH PROPANE BURNER**

(76) Inventors: **Rickey Tipton**, 2834 Alpine St., Kalamazoo, MI (US) 49004; **Theresa Tipton**, 2834 Alpine St., Kalamazoo, MI (US) 49004

(**) Term: **14 Years**

(21) Appl. No.: **29/345,372**

(22) Filed: **Oct. 14, 2009**

(51) **LOC (9) Cl.** **07-99**

(52) **U.S. Cl.** **D7/417; D7/416**

(58) **Field of Classification Search** D7/416, D7/417, 402, 407; 166/620; 126/25 B, 146
See application file for complete search history.

(56) **References Cited**

U.S. PATENT DOCUMENTS

D196,827	S	*	11/1963	Jarvis	D7/417
D198,486	S	*	6/1964	Grandaeff	D7/417
3,453,975	A	*	7/1969	Gunter	126/25 B
3,589,312	A		6/1971	Cooper		
3,605,653	A		9/1971	Donnell		
3,903,866	A	*	9/1975	Polinski	126/25 B
3,974,821	A	*	8/1976	Storandt	126/25 B
4,026,265	A	*	5/1977	Spadaro	126/25 B
4,094,649	A	*	6/1978	Osterried	126/25 B
4,227,510	A	*	10/1980	Frazier et al.	126/25 B
4,282,854	A	*	8/1981	Byars	126/25 B
D262,053	S	*	11/1981	Gavino	D7/417
4,321,907	A	*	3/1982	Sutter	126/25 B
4,417,565	A	*	11/1983	Karpinia	126/25 B
4,461,270	A	*	7/1984	Sutter	126/25 B

D277,224	S	*	1/1985	Cole et al.	D7/417
4,522,585	A		6/1985	Martin		
4,531,507	A	*	7/1985	Gerson	126/25 B
4,604,986	A	*	8/1986	Barnes	126/25 B
4,891,005	A		1/1990	Carter		
4,909,237	A	*	3/1990	Karpinia	126/25 B
5,094,223	A		3/1992	Gonzalez		
5,135,390	A		8/1992	Rodriguez		
5,197,455	A	*	3/1993	Tessien	126/25 B
D346,530	S		5/1994	Elliott et al.		
D366,392	S	*	1/1996	Stephen et al.	D7/417
6,227,843	B1		5/2001	Pedersen et al.		
D459,945	S	*	7/2002	Bodum	D7/417
D471,762	S	*	3/2003	McClaskey et al.	D7/417
D497,772	S	*	11/2004	Bodum	D7/417
6,957,649	B1		10/2005	Bourgeois		

* cited by examiner

Primary Examiner—Marianne Pandozzi

(57) **CLAIM**

The ornamental design for an ignitor for charcoal briquettes with propane burner, as shown and described.

DESCRIPTION

FIG. 1 is a perspective view of a ignitor for charcoal briquettes with propane burner showing my new design;

FIG. 2 is a side view thereof;

FIG. 3 is an opposite side view thereof;

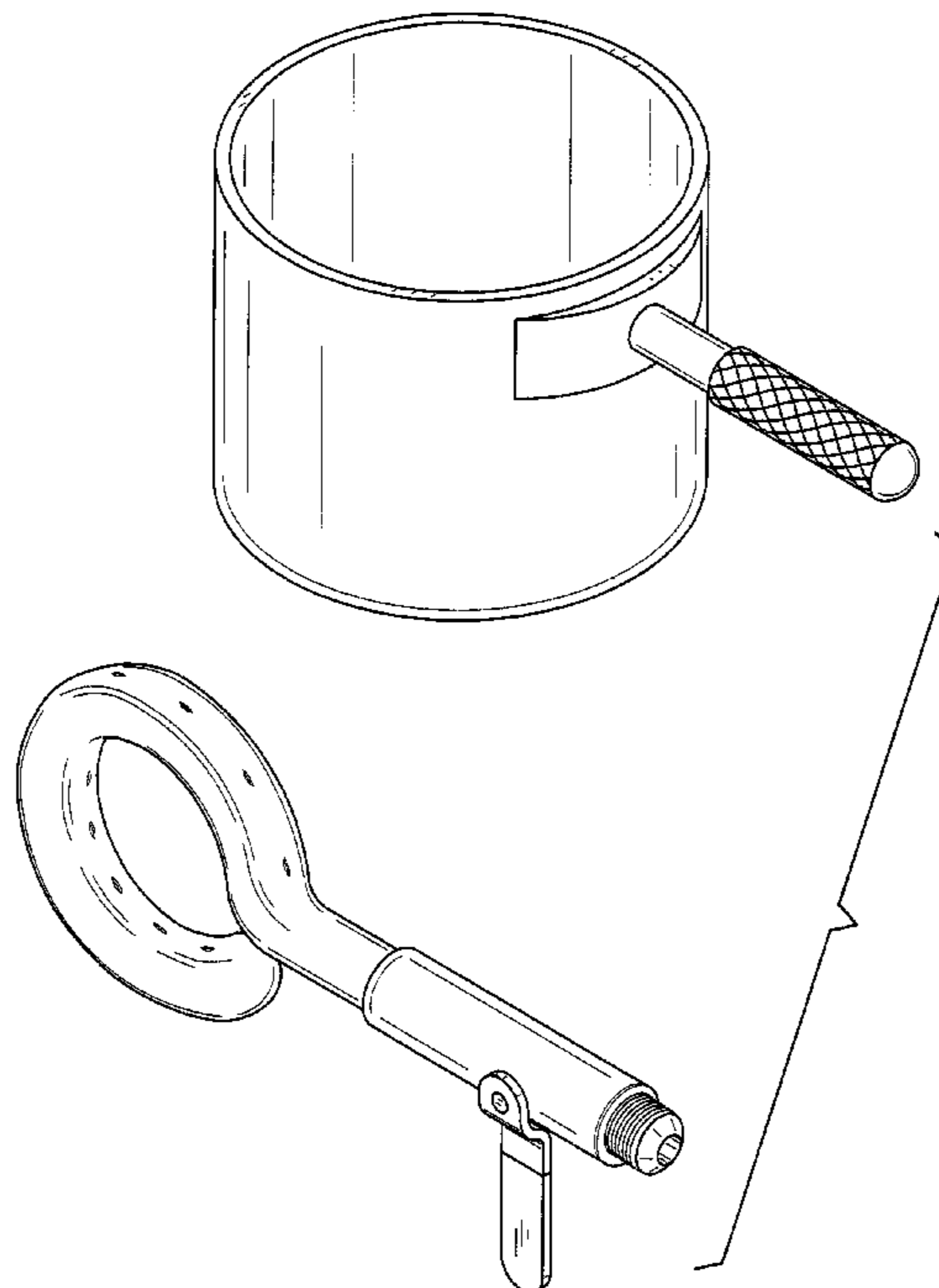
FIG. 4 is a front view thereof;

FIG. 5 is a back view thereof;

FIG. 6 is a top view thereof; and,

FIG. 7 is a bottom view thereof.

1 Claim, 7 Drawing Sheets



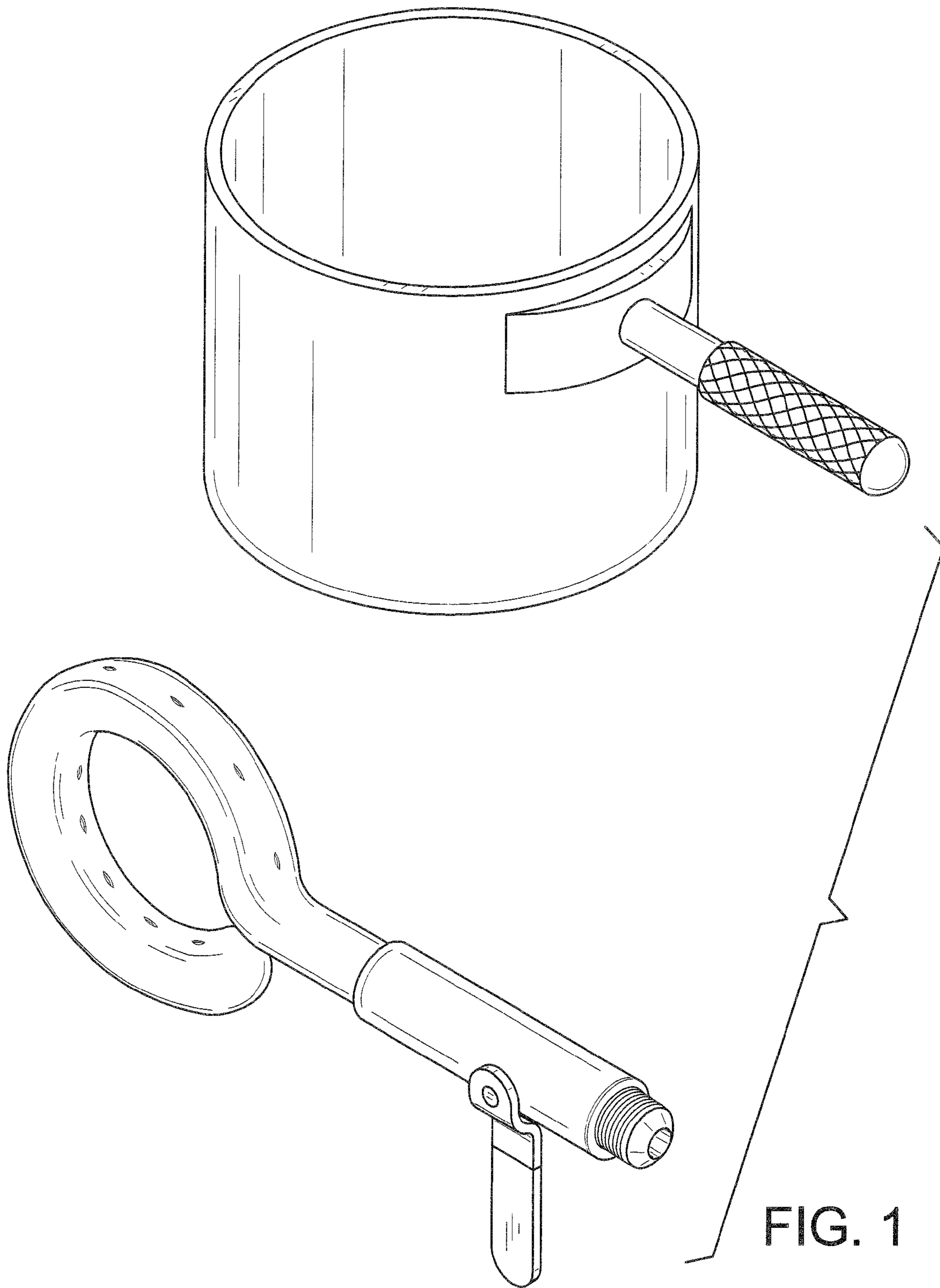


FIG. 1

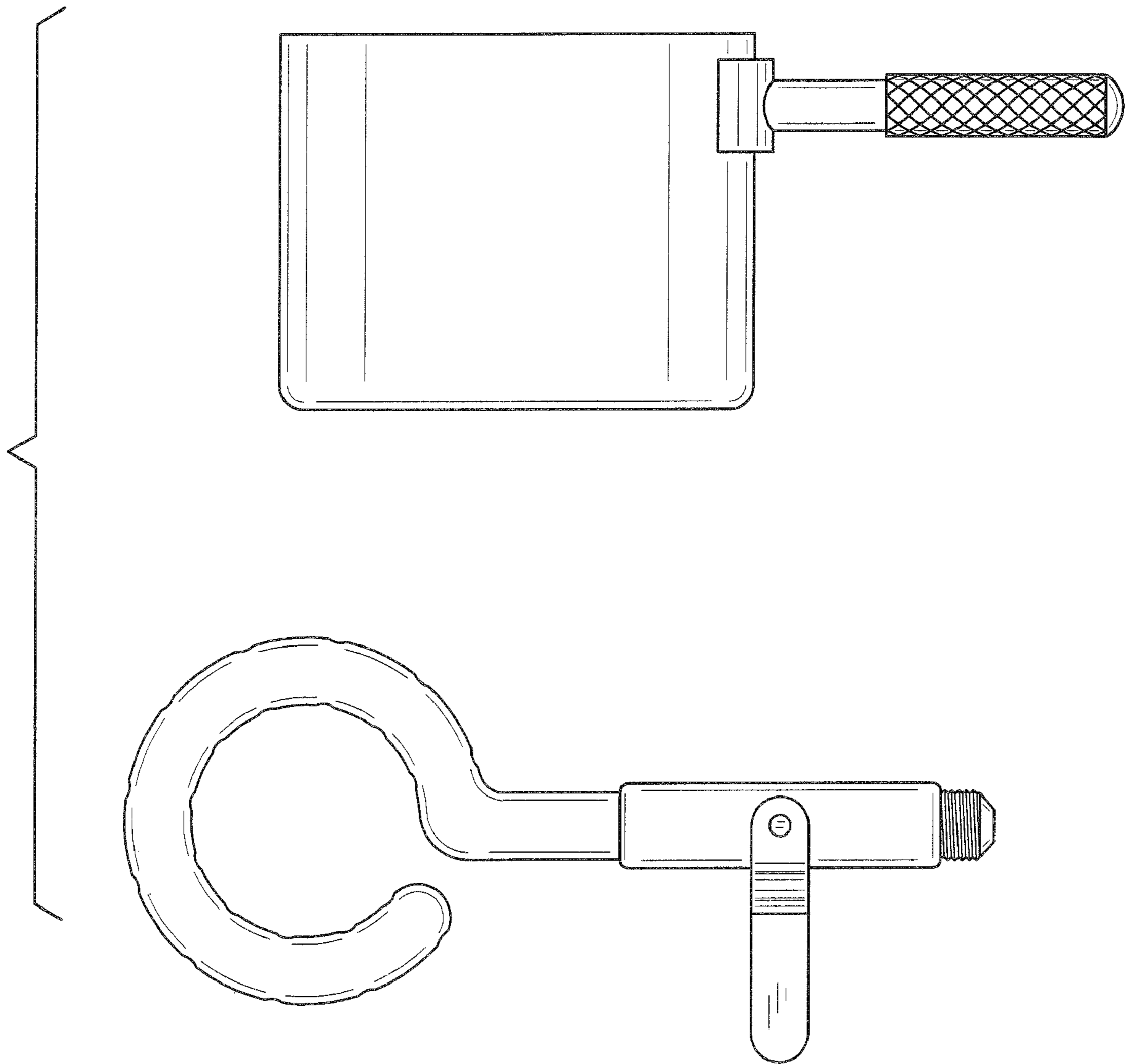


FIG. 2

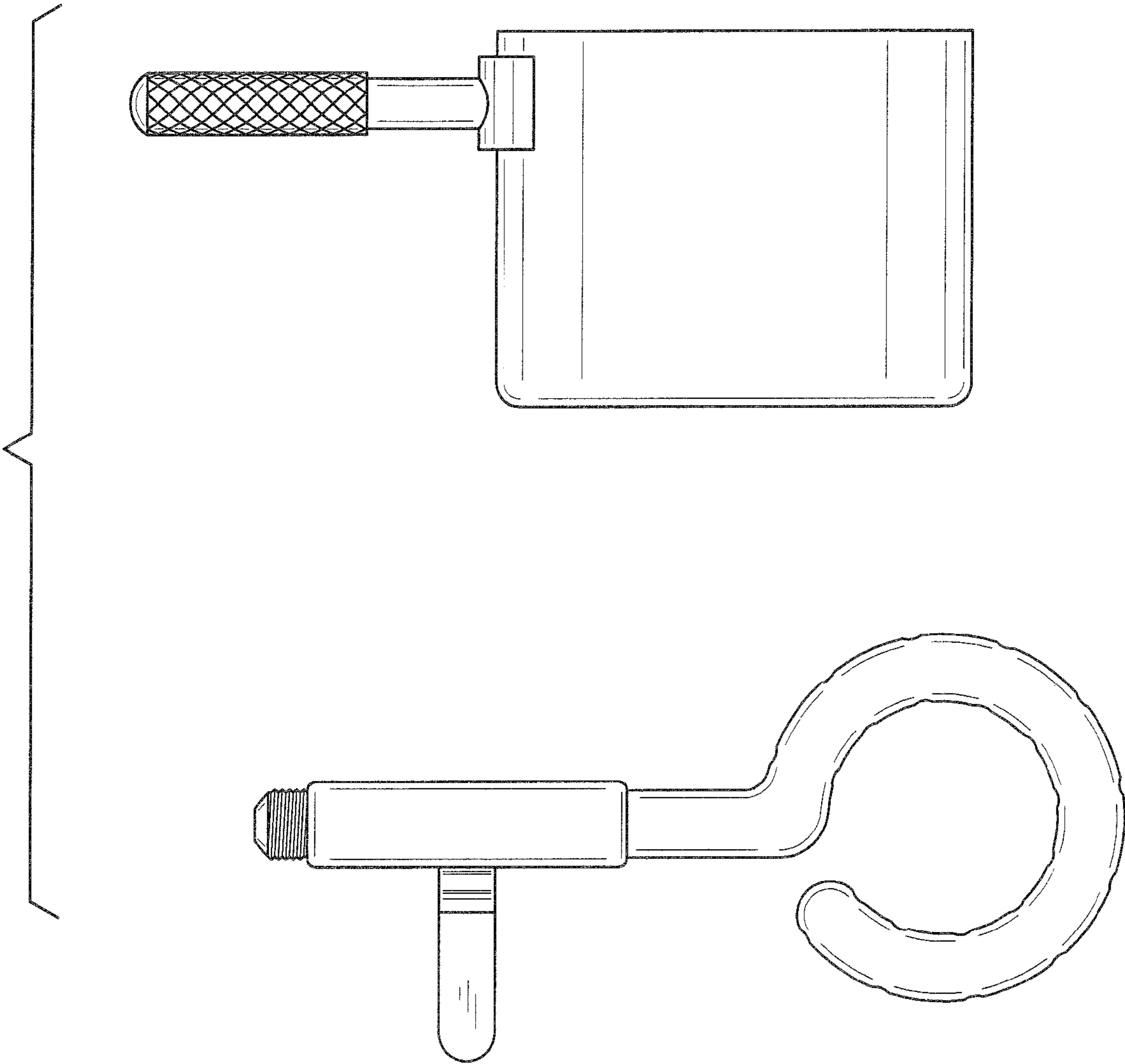


FIG. 3

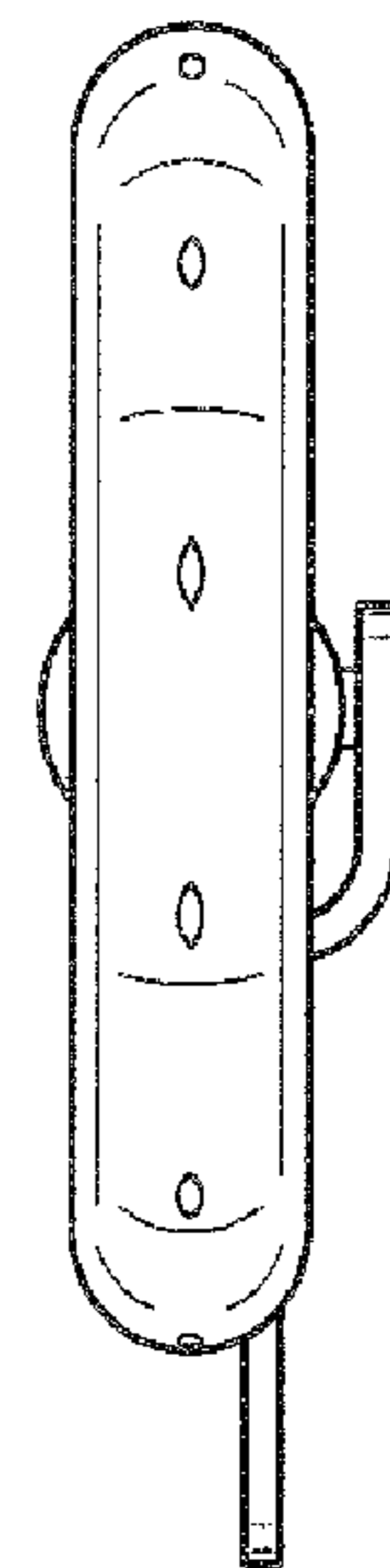
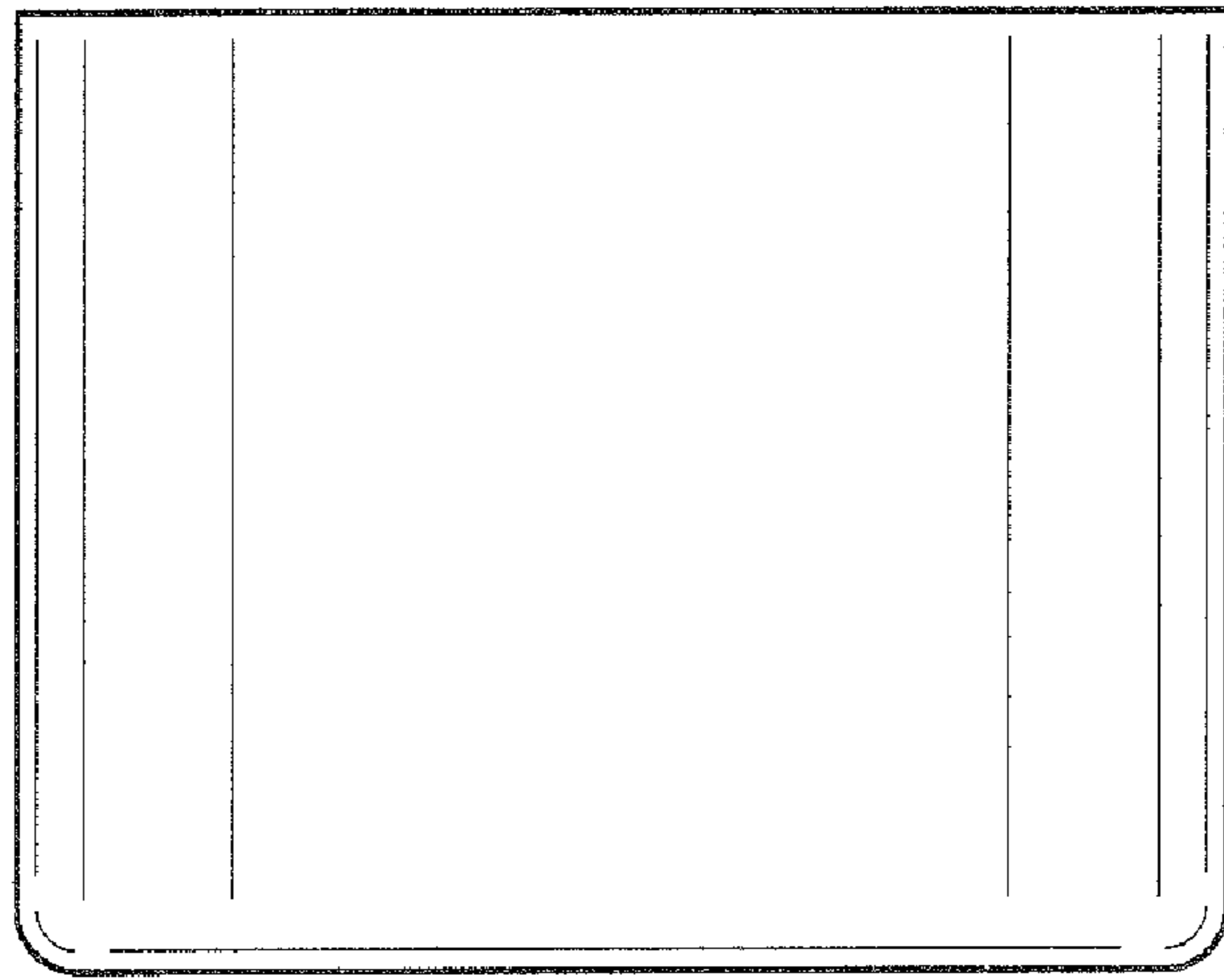


FIG. 4

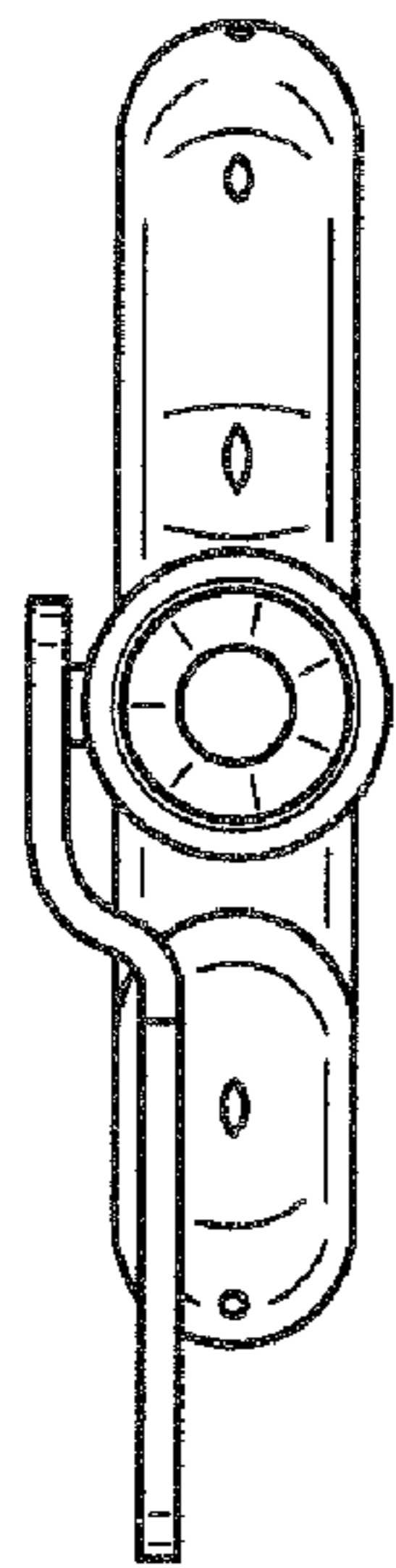
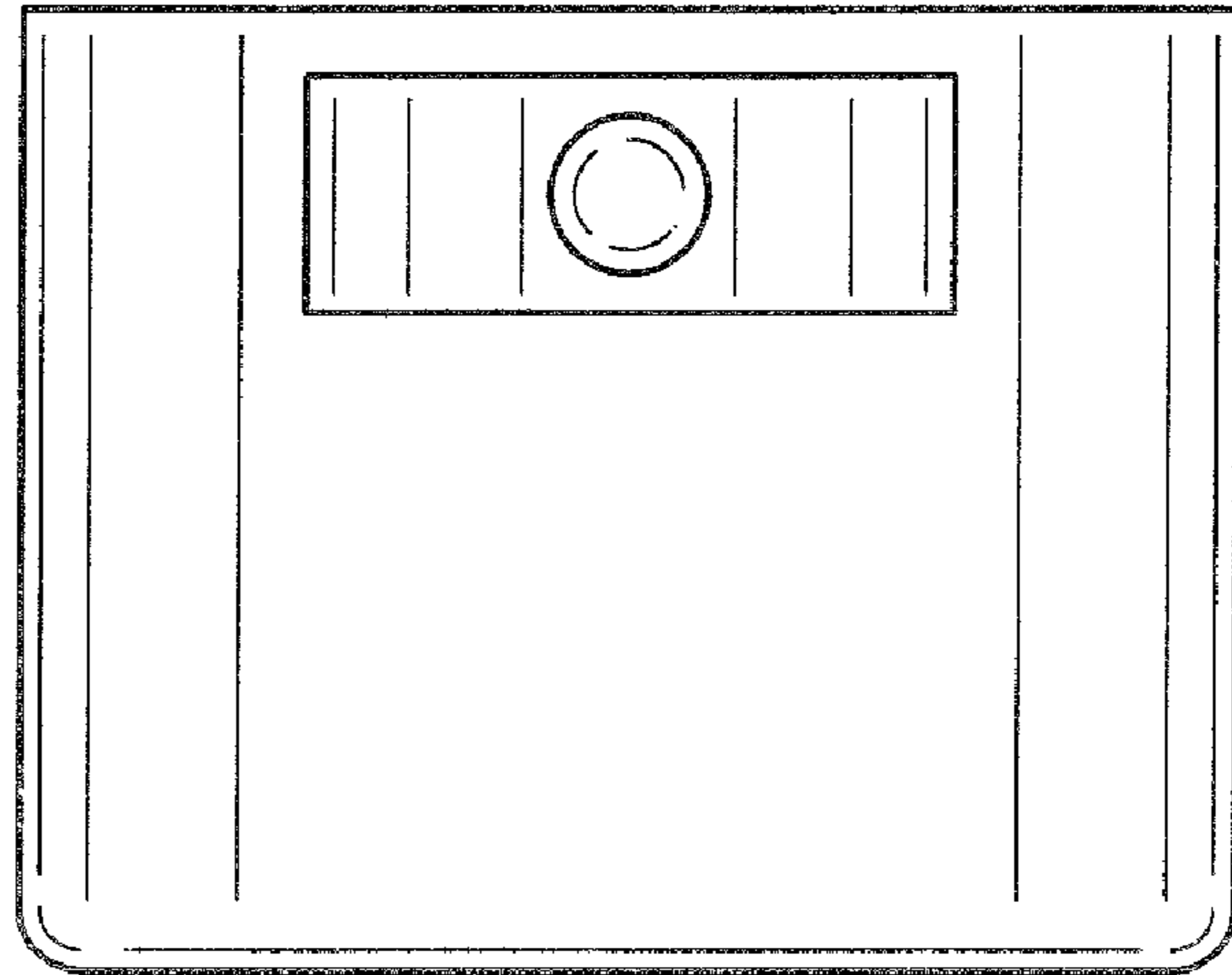


FIG. 5

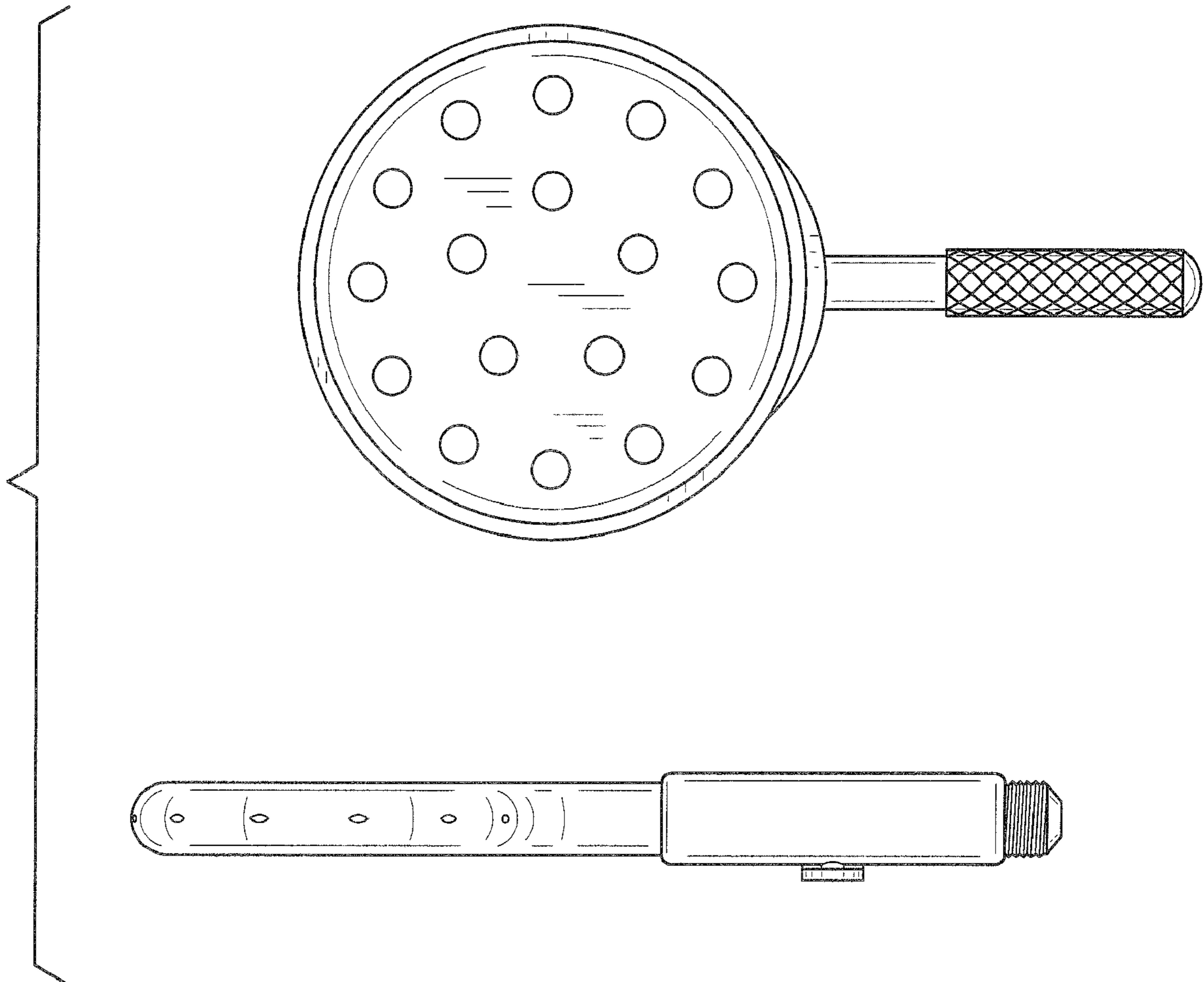


FIG. 6

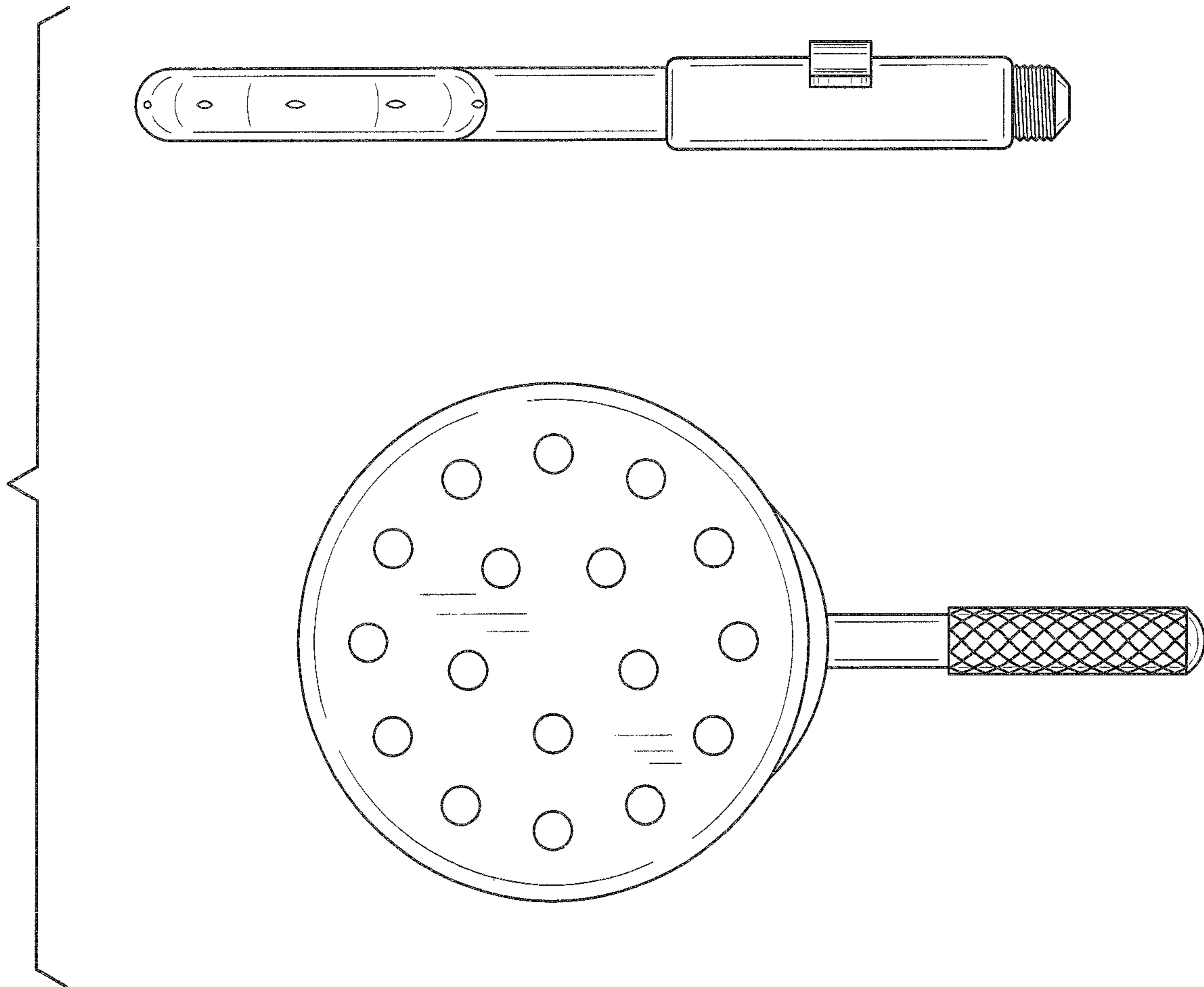


FIG. 7