



US00D611762S

(12) **United States Design Patent**
Liu et al.

(10) **Patent No.:** **US D611,762 S**
(45) **Date of Patent:** **** Mar. 16, 2010**

(54) **GRILL SURFACE**

(75) Inventors: **Tachi Liu**, Tai nan (TW); **Zhaohong Li**, Fujian (CN)

(73) Assignee: **Tsann Kuen (China) Enterprise Co., Ltd.**, Xiamen, Fujian (CN)

(**) Term: **14 Years**

(21) Appl. No.: **29/329,433**

(22) Filed: **Dec. 15, 2008**

(30) **Foreign Application Priority Data**

Jun. 13, 2008 (CN) 2008 3 0111674

(51) **LOC (9) Cl.** **07-02**

(52) **U.S. Cl.** **D7/409**

(58) **Field of Classification Search** D7/323, D7/328-332, 334-341, 347-349, 352-363, D7/402, 409, 609; 99/219, 331, 339-340, 99/349, 369, 372-376, 385-386, 389, 425, 99/444, 446, 466, 601, 618, 620; 126/25 R; 219/524-525, 620-622, 732-734; 269/295; 445/35

See application file for complete search history.

(56) **References Cited**

U.S. PATENT DOCUMENTS

2,896,307 A * 7/1959 Whiteley 445/35
3,664,256 A * 5/1972 Peirce 99/425
D229,532 S * 12/1973 Colato et al. D7/409
4,140,340 A * 2/1979 Cloutier 269/295

D256,654 S * 9/1980 Painter et al. D7/409
D283,195 S * 4/1986 Danley et al. D7/402
D297,393 S * 8/1988 Picozza et al. D7/359
4,784,109 A * 11/1988 Korpan 126/25 R
D367,205 S * 2/1996 O'Higgins D7/409
5,606,905 A * 3/1997 Boehm et al. 99/375
6,994,017 B2 * 2/2006 Lerner 99/376
D551,019 S * 9/2007 Dreimann et al. D7/409

* cited by examiner

Primary Examiner—Caron Veynar
Assistant Examiner—Ricky Pham

(57) **CLAIM**

The ornamental design for a grill surface, as shown and described.

DESCRIPTION

FIG. 1 is a perspective view of a grill surface showing our new design;

FIG. 2 is a top view of FIG. 1;

FIG. 3 is a rear view of FIG. 1;

FIG. 4 is a front view of FIG. 1;

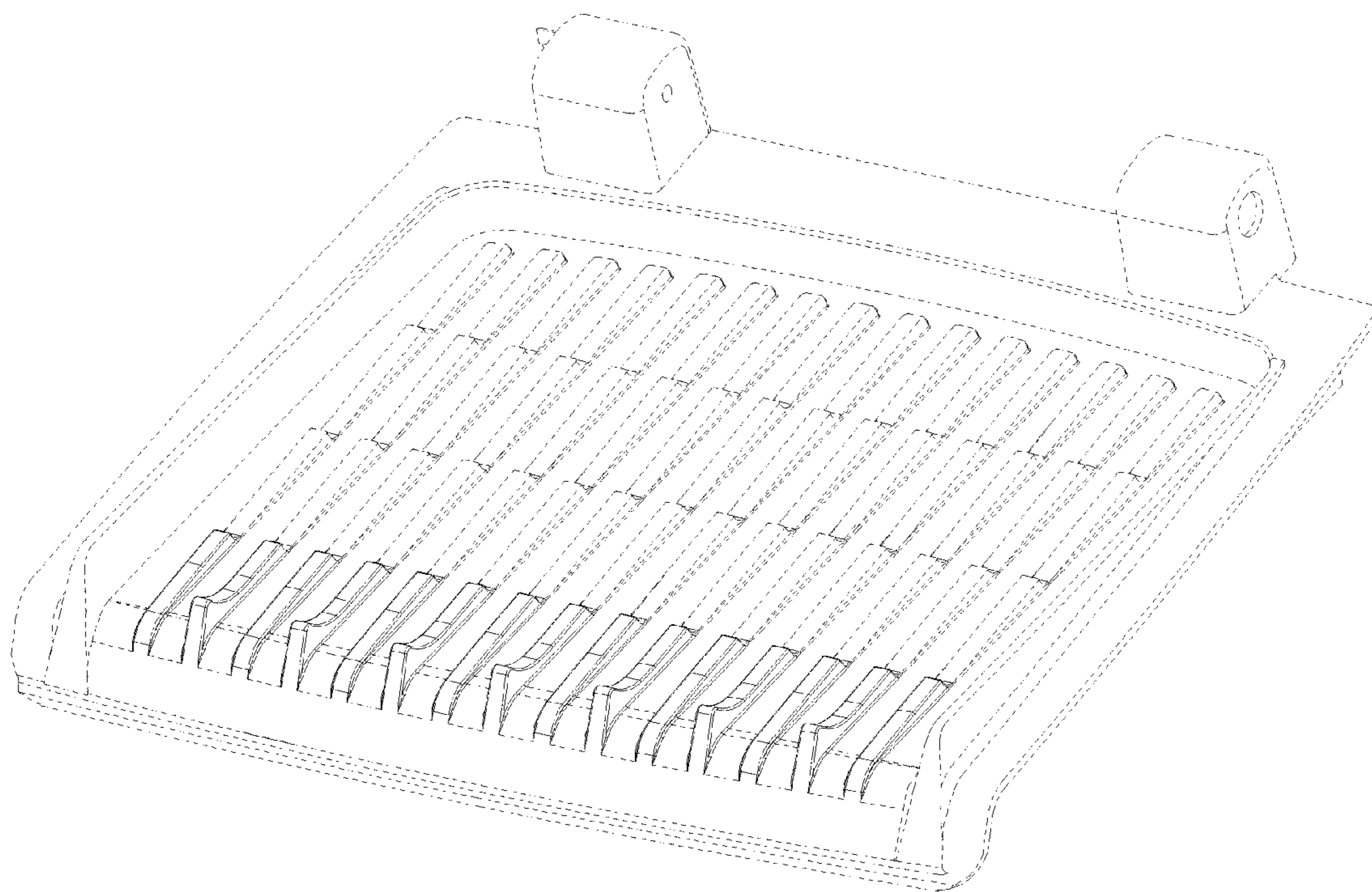
FIG. 5 is a right side view of FIG. 1;

FIG. 6 is a left side view of FIG. 1; and,

FIG. 7 is a bottom view of FIG. 1.

The subject matter in broken lines is provided for illustrative purposes only and is not considered part of the claimed design.

1 Claim, 5 Drawing Sheets



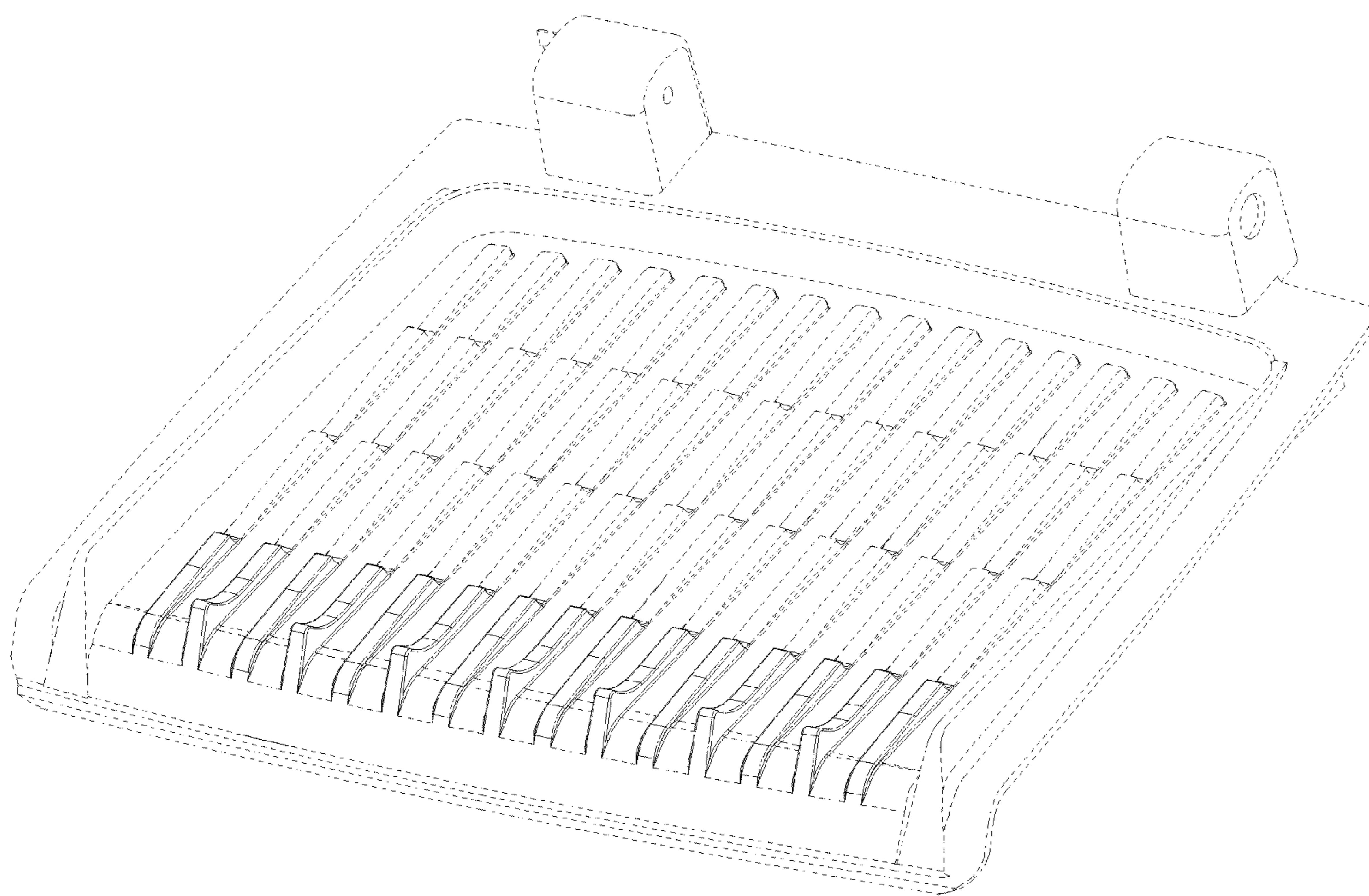


FIG. 1

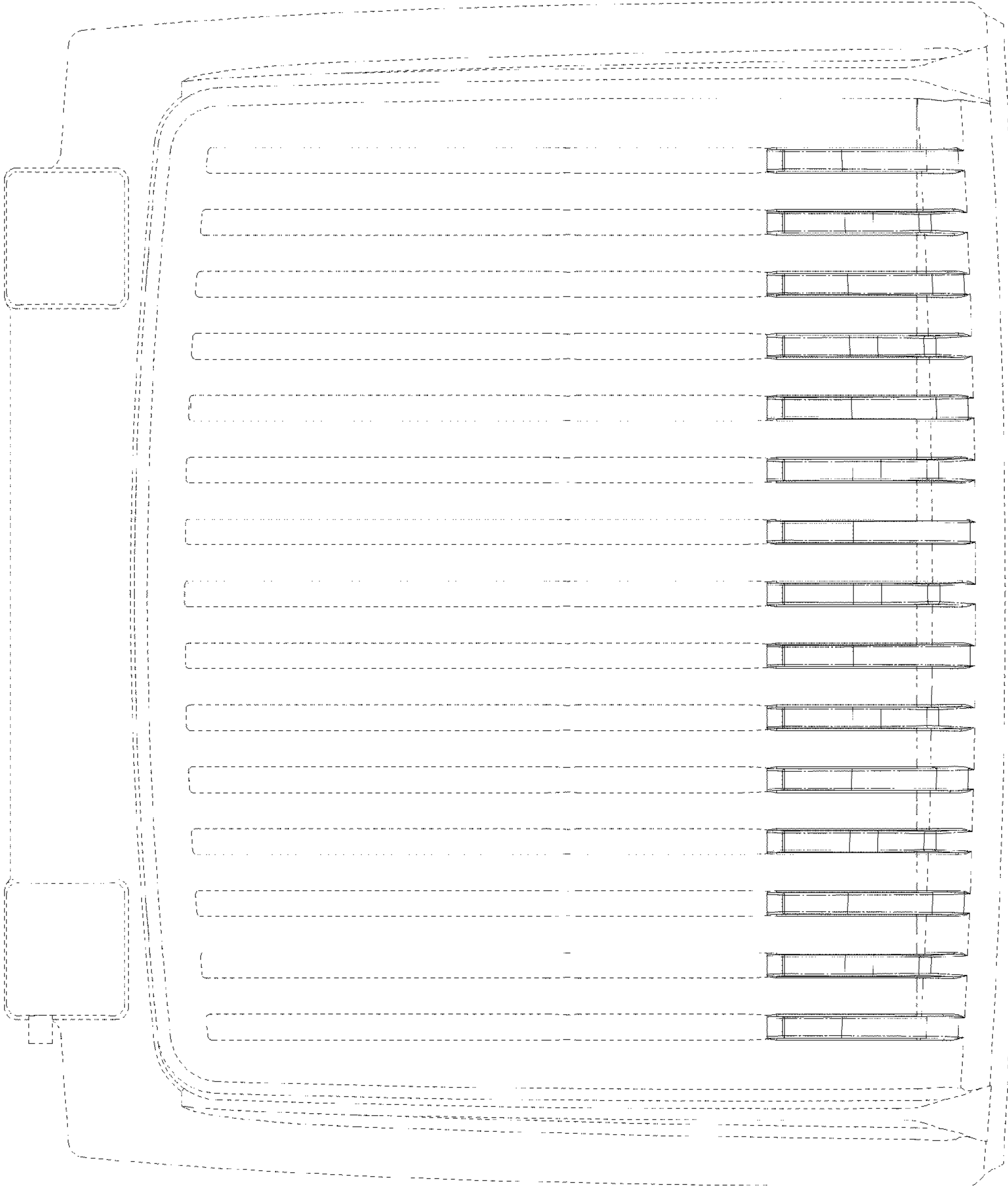


FIG. 2

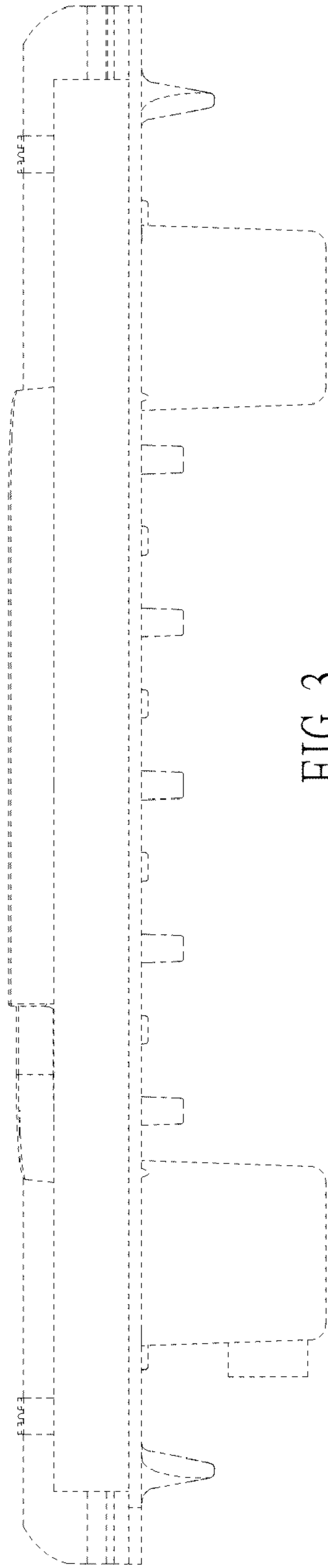


FIG. 3

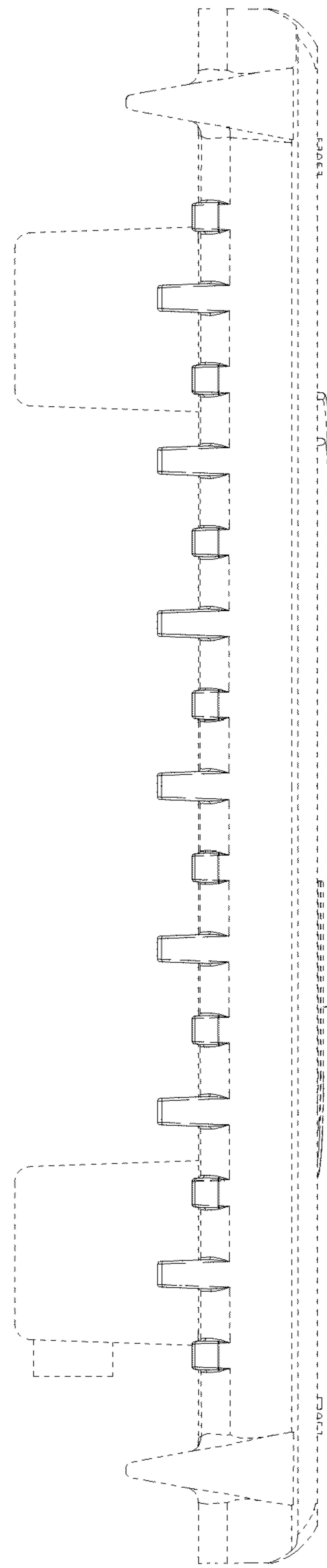


FIG. 4

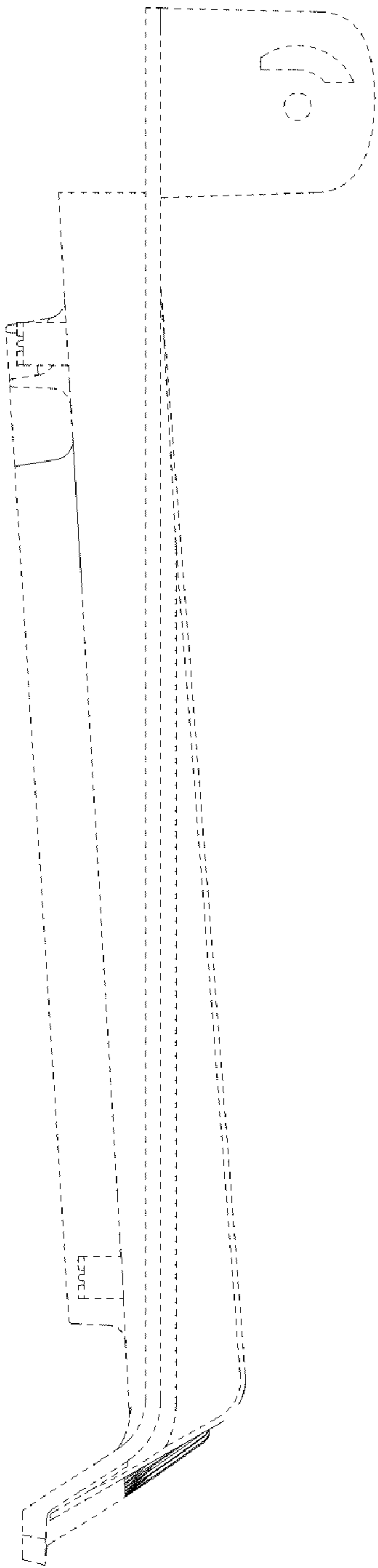


FIG. 5

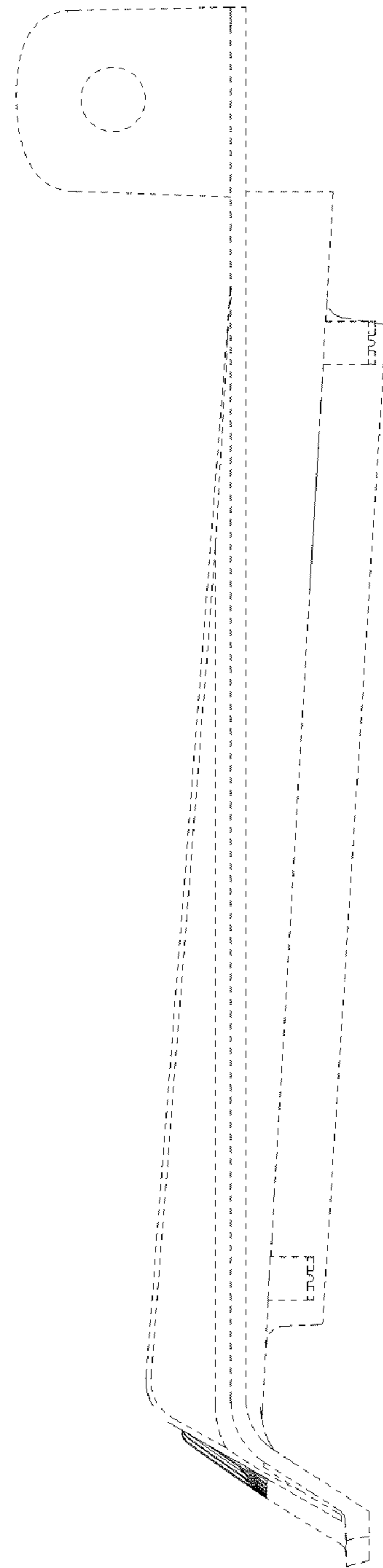


FIG. 6

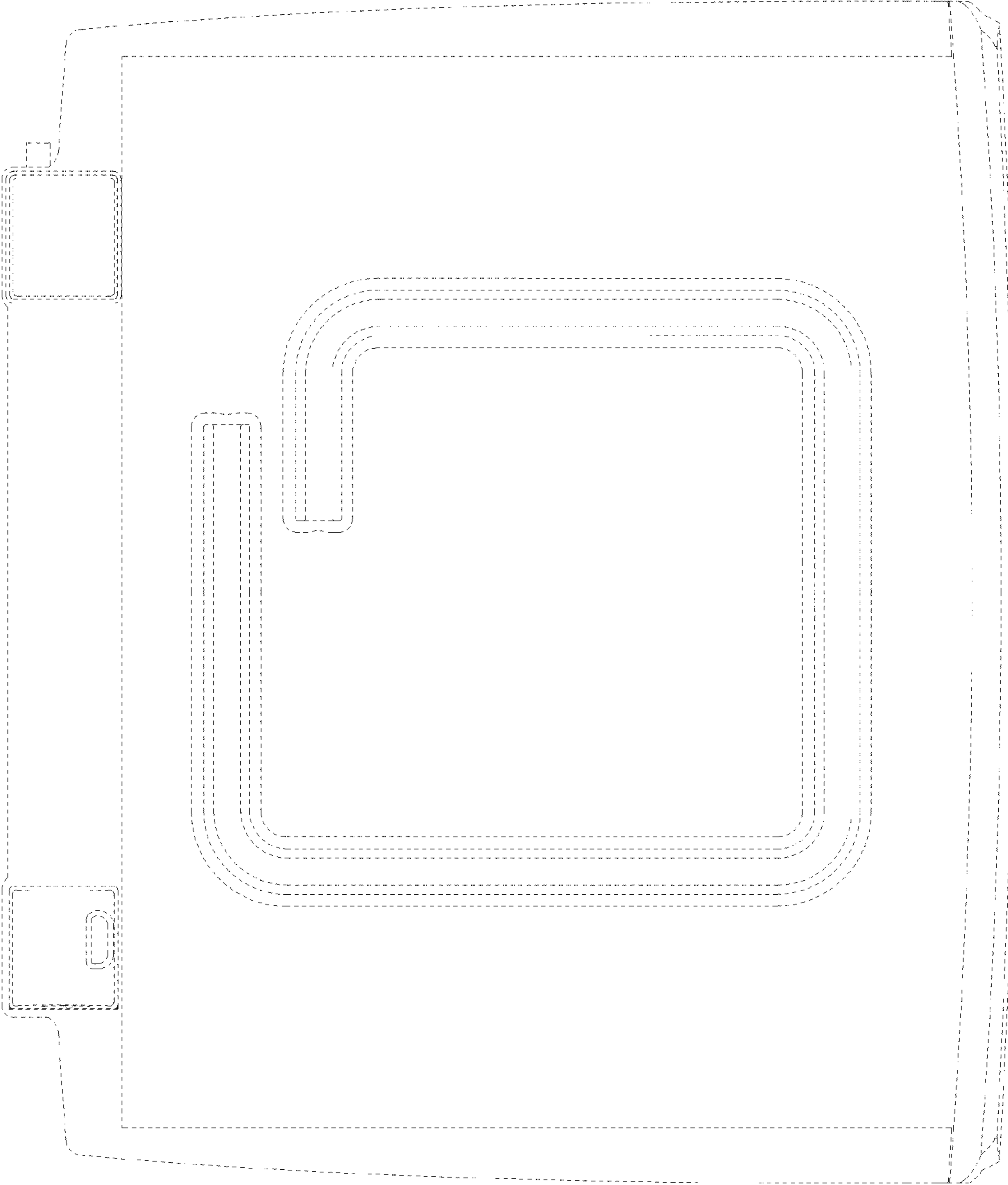


FIG. 7