



US00D611758S

(12) **United States Design Patent**  
**Seymour**

(10) **Patent No.:** **US D611,758 S**  
(45) **Date of Patent:** **\*\* Mar. 16, 2010**

(54) **DEEP FRYER**

FOREIGN PATENT DOCUMENTS

(75) Inventor: **Justun C. Seymour**, Eau Claire, WI  
(US)

CN 200630060898 3/2007

(73) Assignee: **National Presto Industries, Inc.**, Eau  
Claire, WI (US)

OTHER PUBLICATIONS

Presto® GranPappy® Electric Deep Fryer Advertisement, 1 page,  
copyright 2003.

(\*\*) Term: **14 Years**

(Continued)

(21) Appl. No.: **29/345,430**

*Primary Examiner*—Caron Veynar

*Assistant Examiner*—Ricky Pham

(22) Filed: **Oct. 15, 2009**

(74) *Attorney, Agent, or Firm*—Patterson, Thuente, Skaar &  
Christensen, P.A.

(51) **LOC (9) Cl.** ..... **07-02**

(52) **U.S. Cl.** ..... **D7/354**

(58) **Field of Classification Search** ..... D7/323,  
D7/330–331, 339, 347, 350–367, 378–379,  
D7/383–384, 391, 542–545; 99/324–325,  
99/329 R, 330–339; 219/432–433, 438–441,  
219/620–622, 725–730; 220/203.1, 203.7,  
220/303, 316, 356.1, 573.1–574, 769, 912;  
426/438, 441

(57) **CLAIM**

I claim the ornamental design for deep fryer, as shown.

See application file for complete search history.

**DESCRIPTION**

FIG. 1 is a perspective view of a deep fryer according to an  
embodiment of the invention.

FIG. 2 is a front view of the deep fryer of FIG. 1.

FIG. 3 is a rear view of the deep fryer of FIG. 1.

FIG. 4 is a side view of the deep fryer of FIG. 1.

FIG. 5 is a top view of the deep fryer of FIG. 1; and,

FIG. 6 is a bottom view of the deep fryer of FIG. 1.

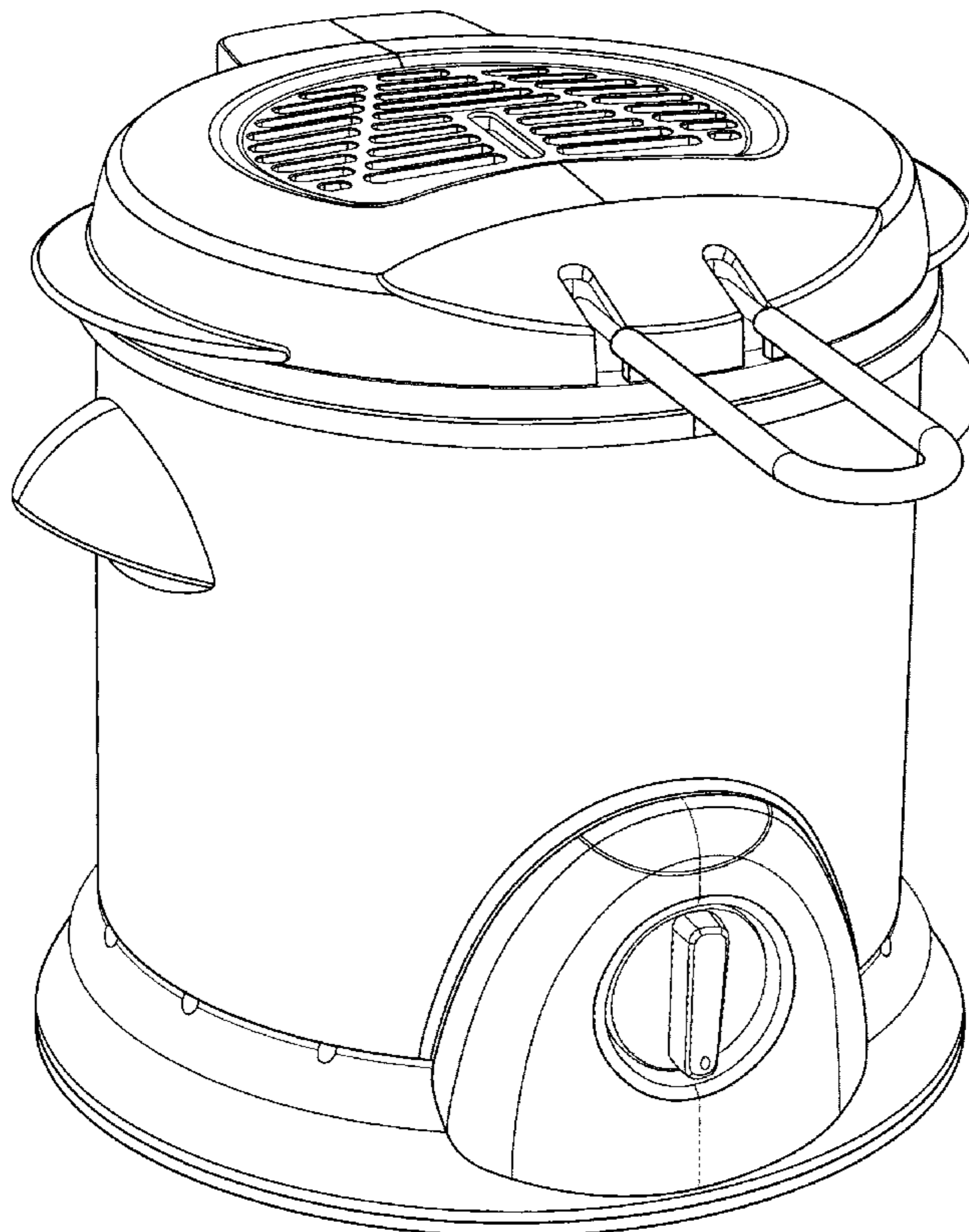
(56) **References Cited**

U.S. PATENT DOCUMENTS

D246,686 S 12/1977 Boldt  
D284,257 S 6/1986 Greb et al.

(Continued)

**1 Claim, 6 Drawing Sheets**



# US D611,758 S

Page 2

## U.S. PATENT DOCUMENTS

D323,762 S 2/1992 Barrault  
D369,505 S 5/1996 Philippe  
D380,504 S 7/1997 Yang  
D382,767 S 8/1997 Lien  
D416,166 S 11/1999 Hirose et al.  
D418,360 S 1/2000 Kei  
D418,361 S 1/2000 Utsugi  
D431,150 S 9/2000 Kalina et al.  
D444,666 S 7/2001 Kalina et al.  
D444,994 S 7/2001 Kalina et al.  
D458,507 S 6/2002 Meelen  
D525,478 S \* 7/2006 Averty ..... D7/354  
D532,248 S \* 11/2006 Allende Fritsch ..... D7/354  
D549,517 S 8/2007 Moran  
D552,921 S 10/2007 Garman et al.  
D557,552 S \* 12/2007 Matras ..... D7/354  
D560,424 S \* 1/2008 McLemore ..... D7/355  
D568,092 S 5/2008 Boes et al.

D581,206 S 11/2008 Roussard  
D585,238 S 1/2009 Tseng  
D588,398 S 3/2009 Pan  
D598,700 S 8/2009 Seymour  
D600,066 S 9/2009 Seymour  
D600,971 S \* 9/2009 Garpelin ..... D7/354

## OTHER PUBLICATIONS

Presto® FryDaddy® Electric Deep Fryer Advertisement, 1 page, copyright 2007.

Presto® FryDaddy® Plus Electric Deep Fryer Advertisement, 1 page, copyright 1990.

Presto® FryBaby® Electric Deep Fryer Advertisement, copyright 1984.

Presto® DualDaddy™ Electric Deep Fryer computer printout, <http://www.gopresto.com/products/products.php?stock=05450>, printed Feb. 26, 2009, 1 page, copyright 2008.

\* cited by examiner

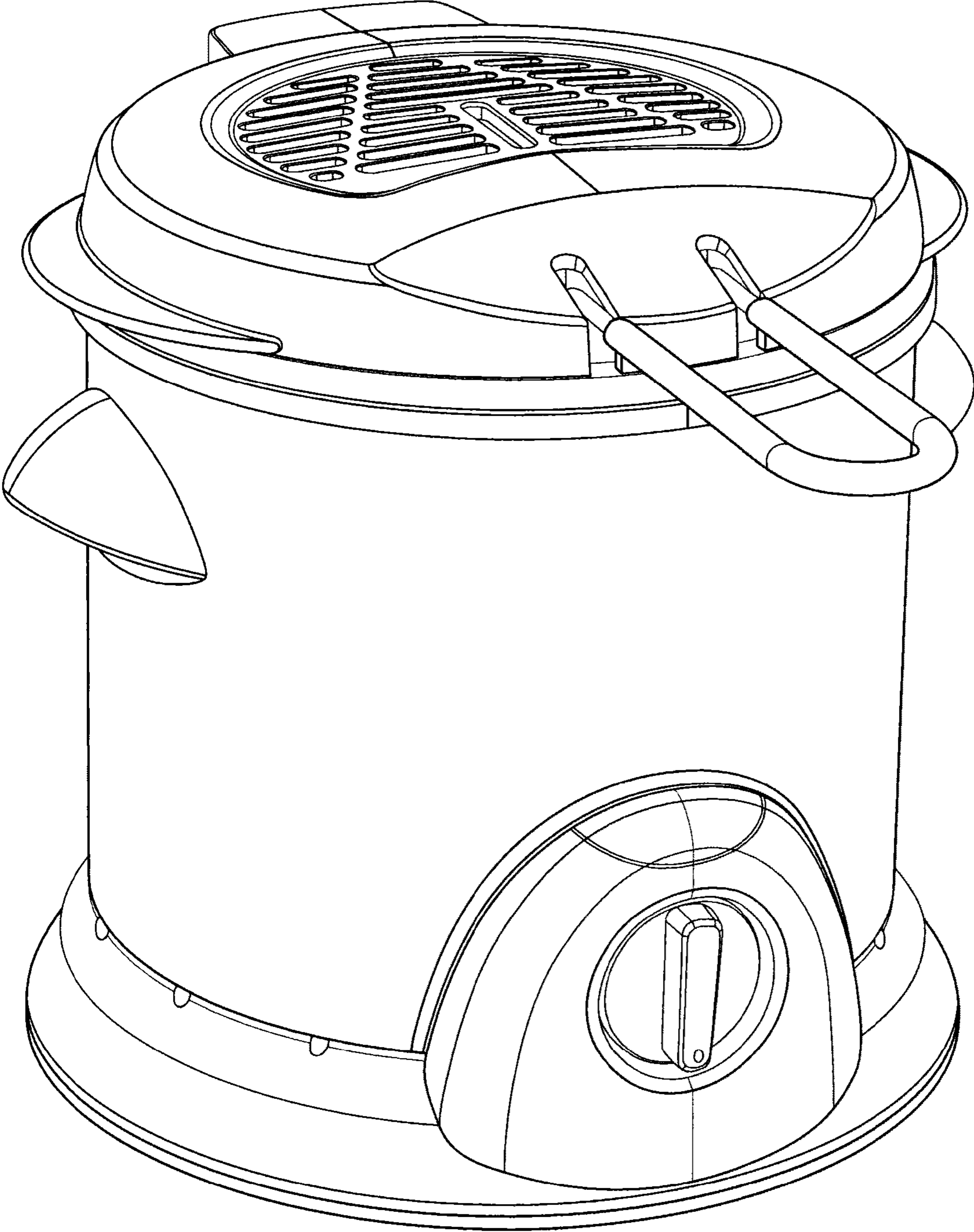


Fig. 1

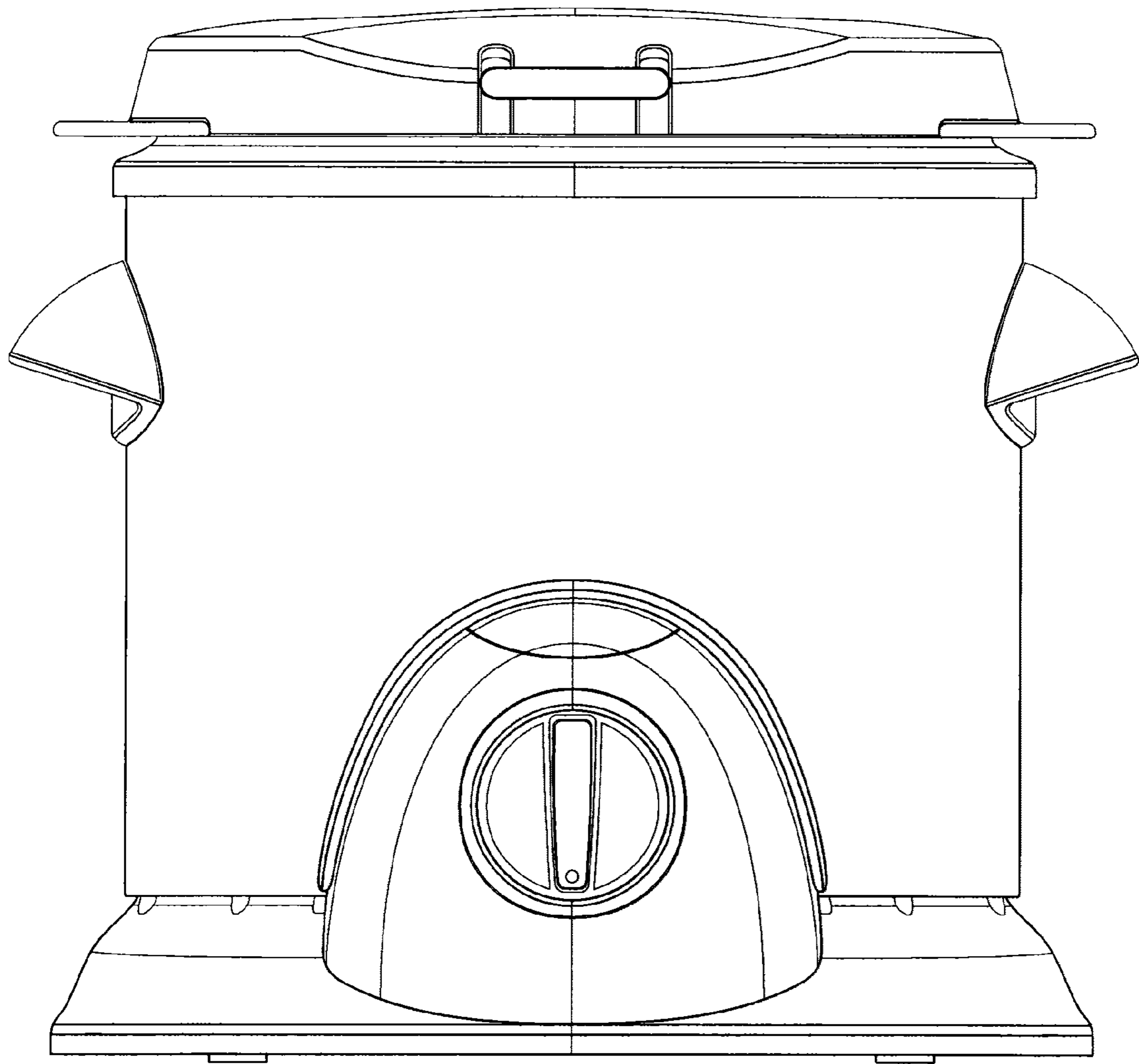


Fig. 2

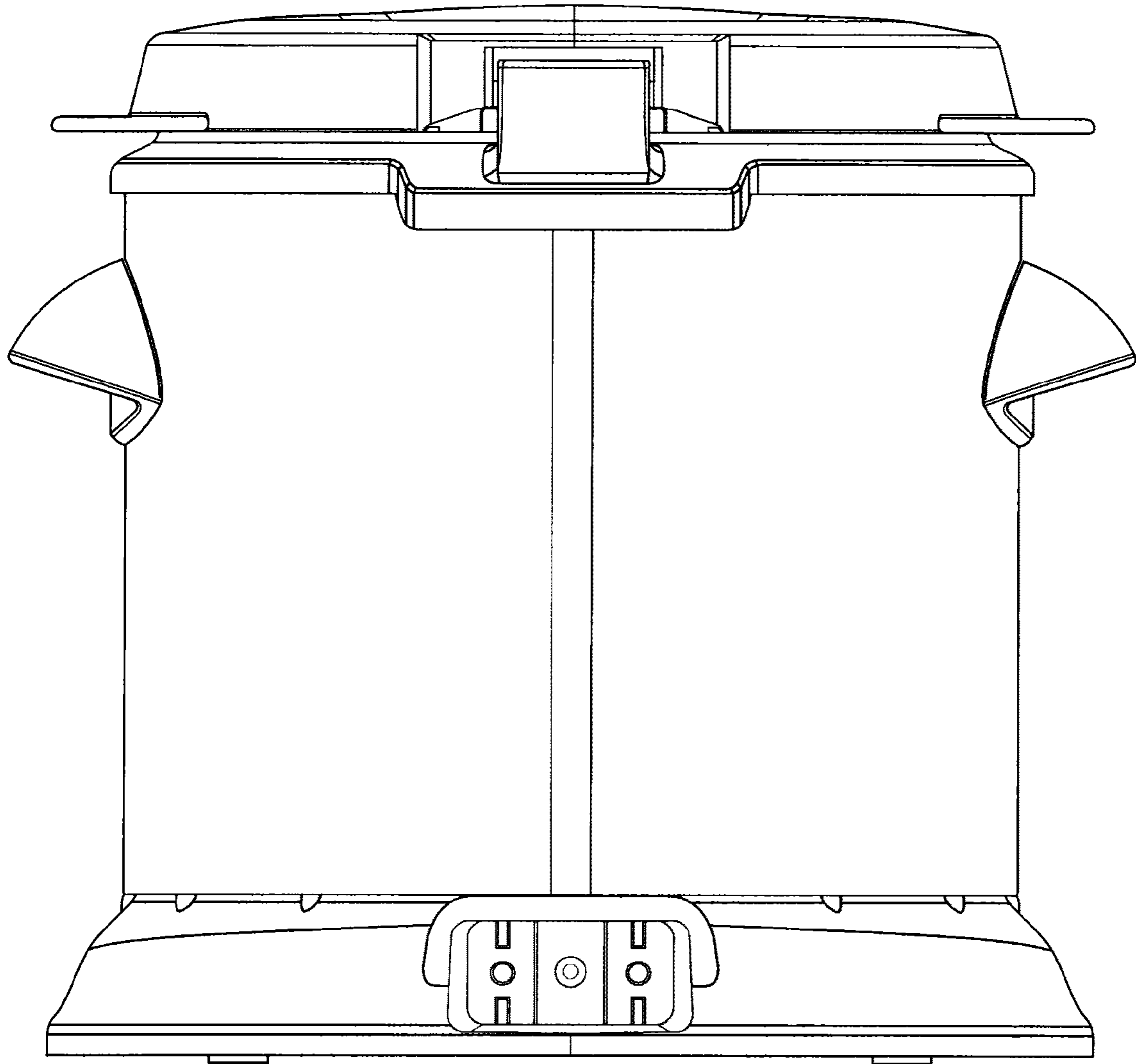


Fig. 3

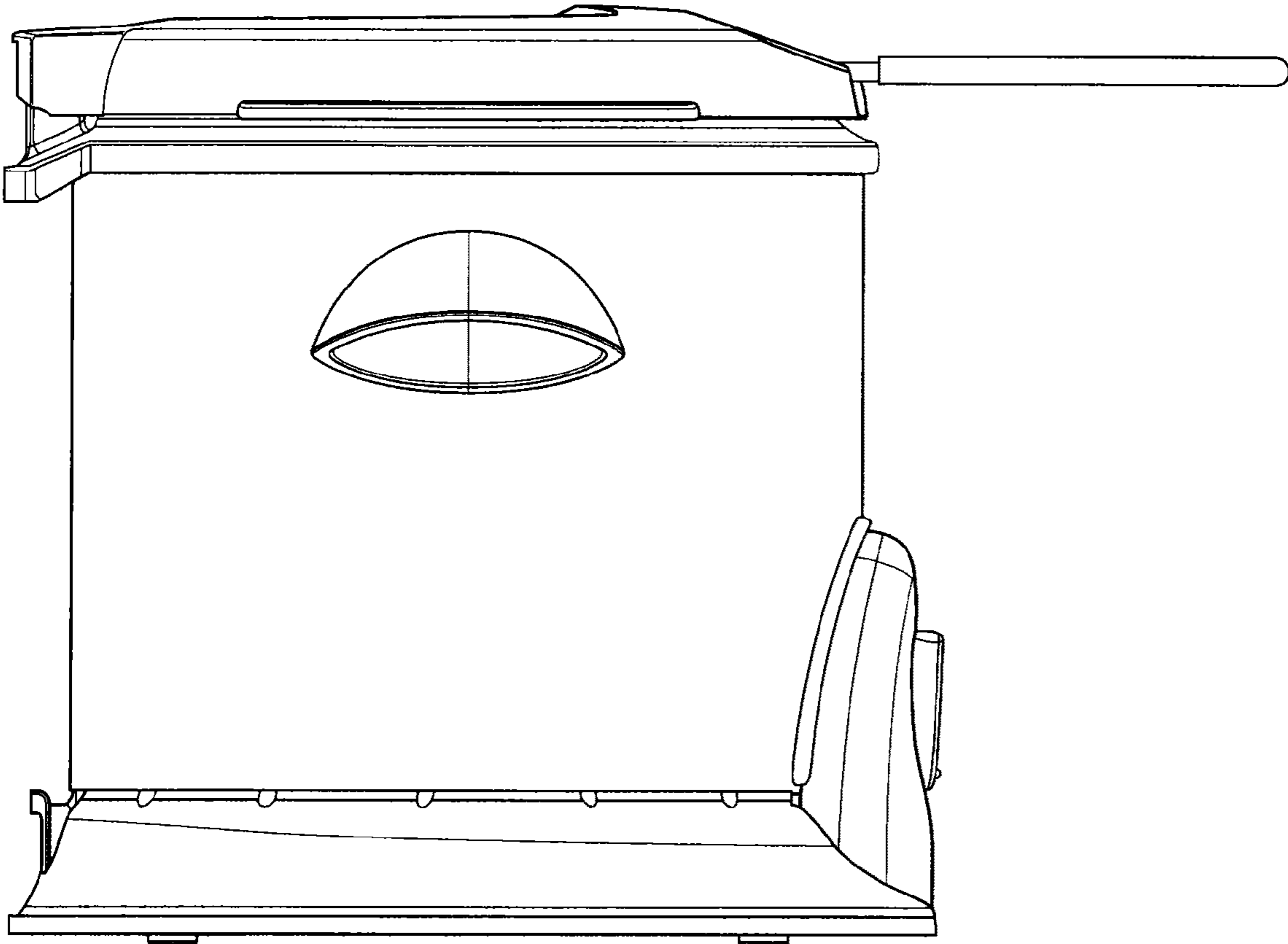


Fig. 4

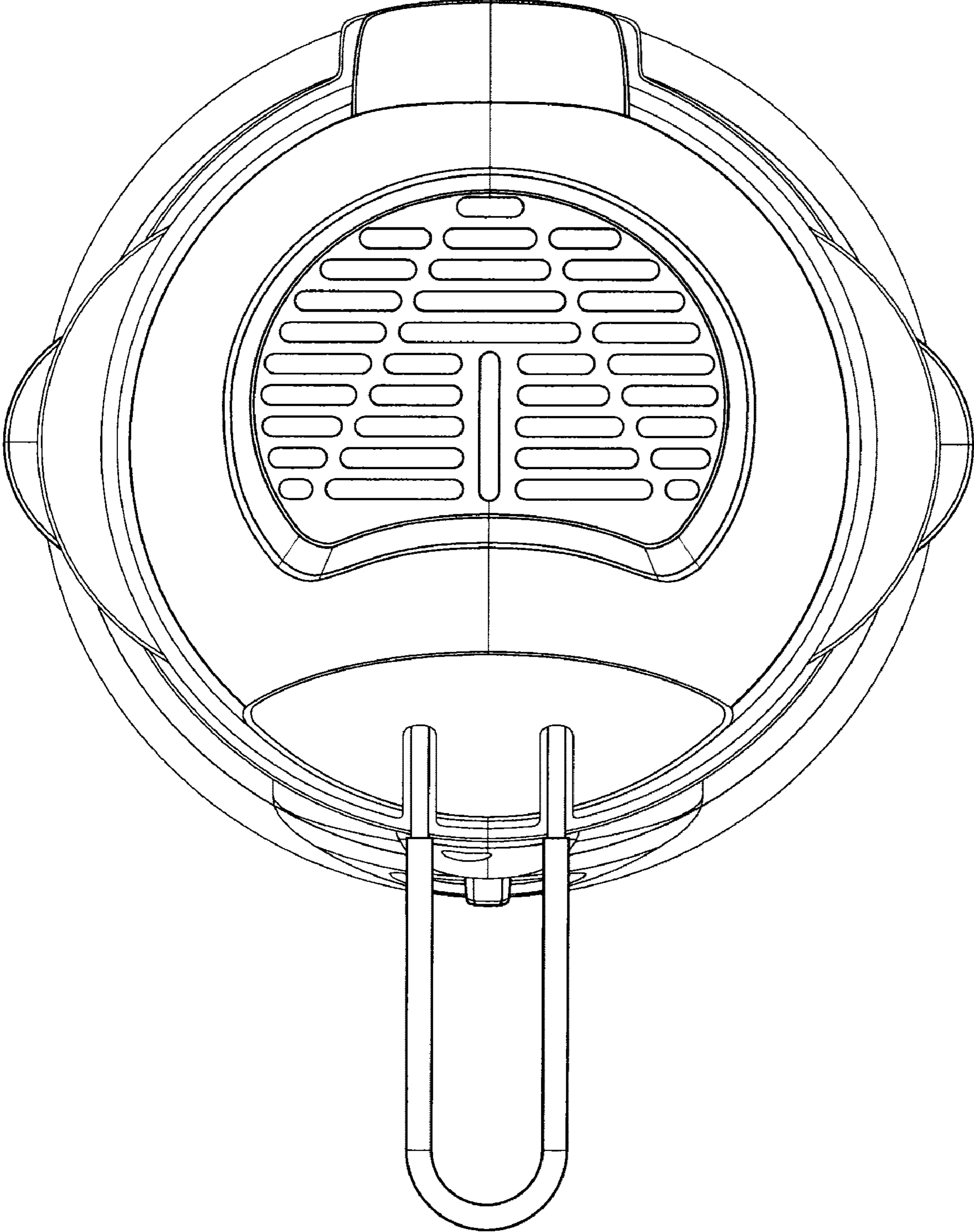


Fig. 5

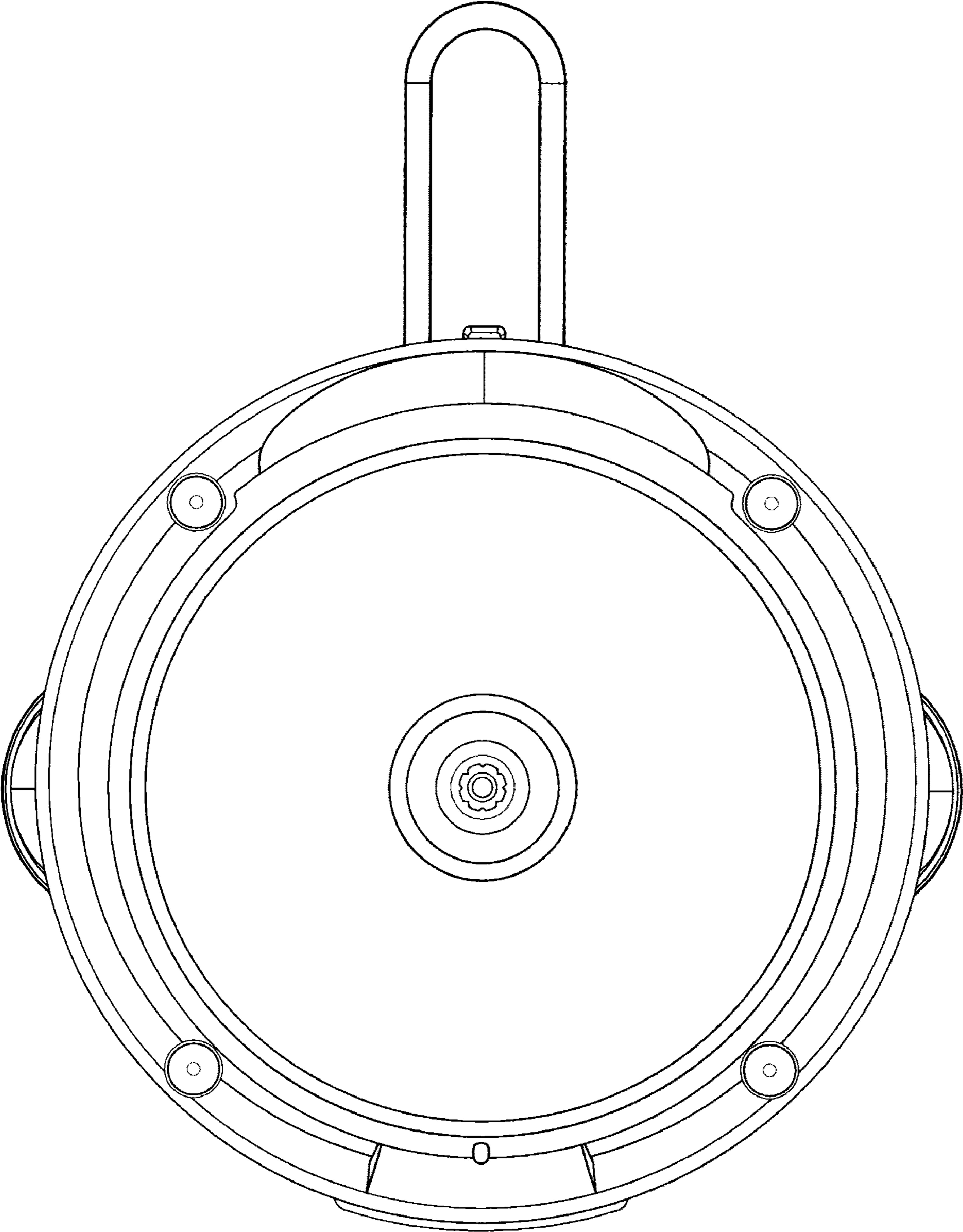


Fig. 6