



US00D611755S

(12) **United States Design Patent**  
**Yalcin et al.**

(10) **Patent No.:** **US D611,755 S**  
(45) **Date of Patent:** **\*\* \*Mar. 16, 2010**

(54) **BUILT IN OVEN**

(75) Inventors: **Mustafa Yalcin**, Istanbul (TR); **Ozgur Mutlu Oz**, Istanbul (TR); **Tugce Karaca**, Istanbul (TR); **Deger Demircan**, Istanbul (TR); **Soner Ilgin**, Istanbul (TR); **Savas Onur Eroglu**, Istanbul (TR); **Ahmet Burak Veyisoglu**, Istanbul (TR); **Onur Onrat**, Istanbul (TR); **Ali Ihsan Incukur**, Istanbul (TR); **Gizem Durakoglu**, Istanbul (TR); **Ahmet Tabak**, Istanbul (TR)

(73) Assignee: **Arcelik Anonim Sirketi**, Istanbul (TR)

(\*) Notice: This patent is subject to a terminal disclaimer.

(\*\*) Term: **14 Years**

(21) Appl. No.: **29/330,076**

(22) Filed: **Dec. 29, 2008**

(51) **LOC (9) Cl.** ..... **07-02**

(52) **U.S. Cl.** ..... **D7/349**

(58) **Field of Classification Search** ..... D7/349, D7/339-341, 346-348, 350.1, 350.2, 350.3, D7/350.4, 402-407; 126/19 R, 39 B, 39 C, 126/39 R, 273 R, 50, 19 M, 275 E, 273 A; 219/756-758, 391, 402, 393; 99/DIG. 14

See application file for complete search history.

(56) **References Cited**

U.S. PATENT DOCUMENTS

D180,099 S *	4/1957	Perl .....	D7/349
D523,685 S *	6/2006	Jung et al. ....	D7/340
D526,527 S *	8/2006	Jung et al. ....	D7/348
D530,561 S *	10/2006	Kim .....	D7/351
D552,920 S *	10/2007	Chung et al. ....	D7/348
D580,698 S *	11/2008	Kim et al. ....	D7/348

\* cited by examiner

*Primary Examiner*—Catherine R Oliver

(74) *Attorney, Agent, or Firm*—Venable, Campillo, Logan & Meaney, P.C.

(57) **CLAIM**

The ornamental design for an built in oven, as shown and described.

**DESCRIPTION**

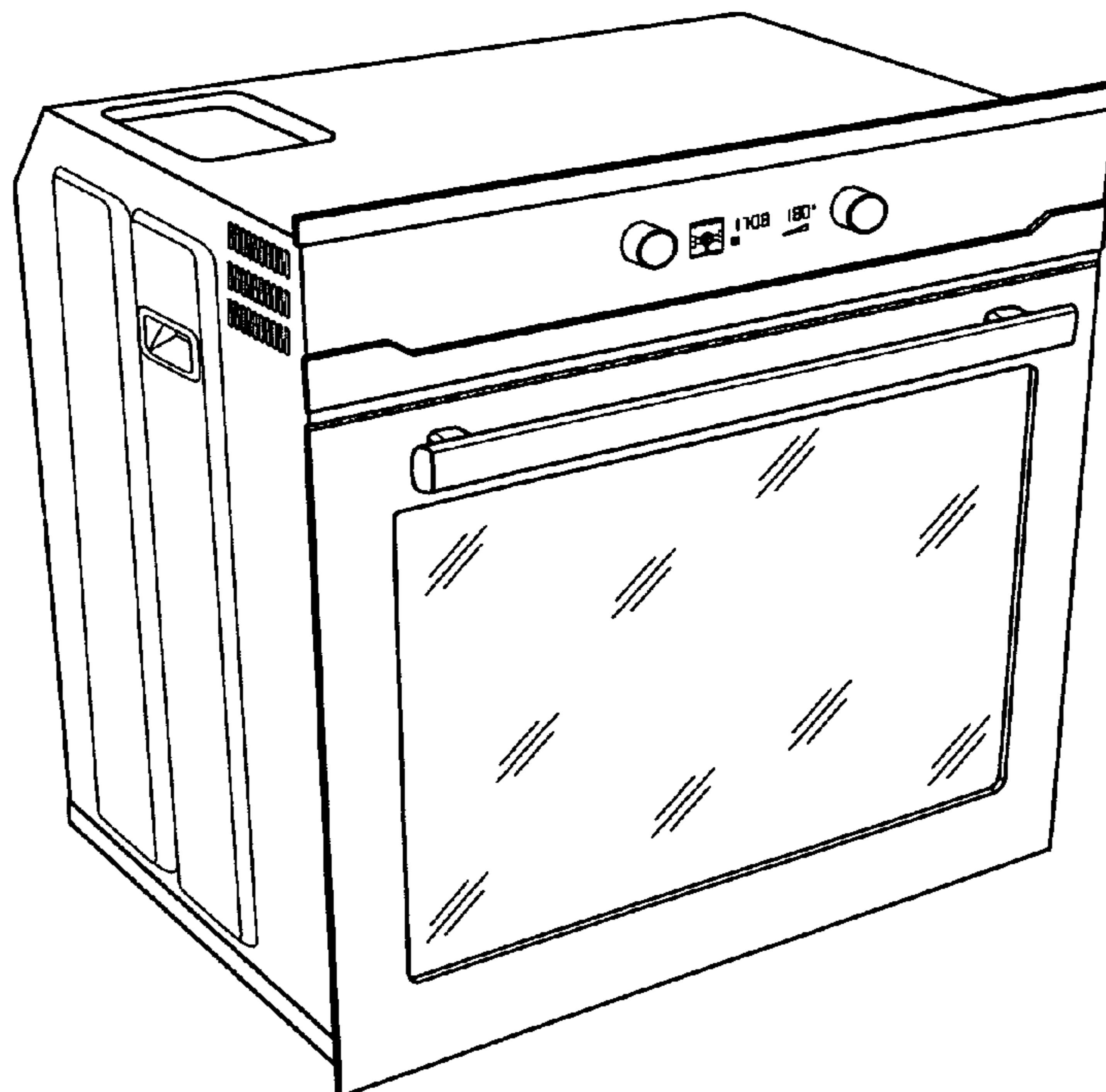
FIG. 1 is a front view thereof;

FIG. 2 is a front perspective view thereof;

FIG. 3 is a top view thereof; and,

FIG. 4 is first side view thereof (the second side is a mirror image thereof).

**1 Claim, 2 Drawing Sheets**



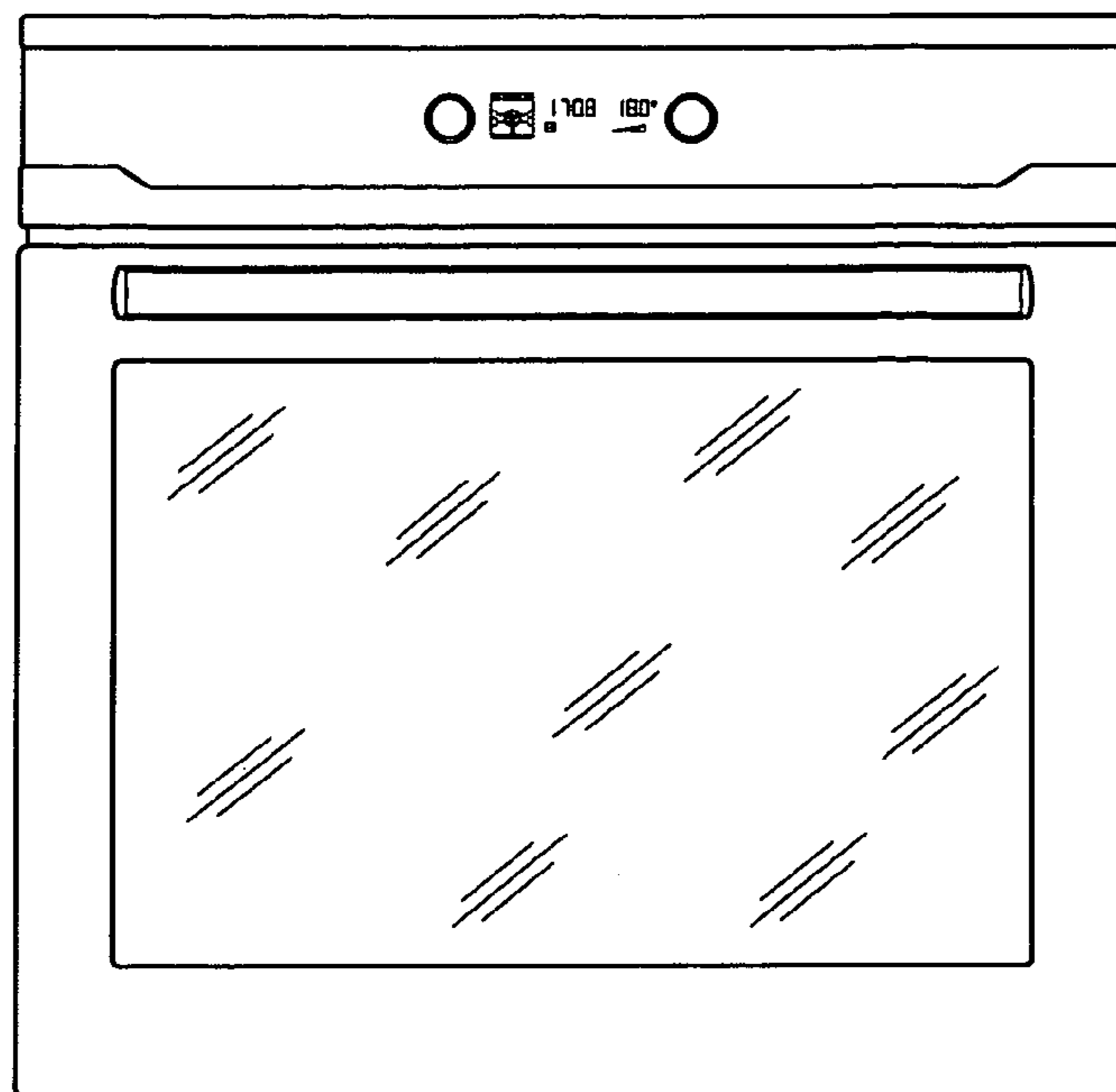


Fig. 1

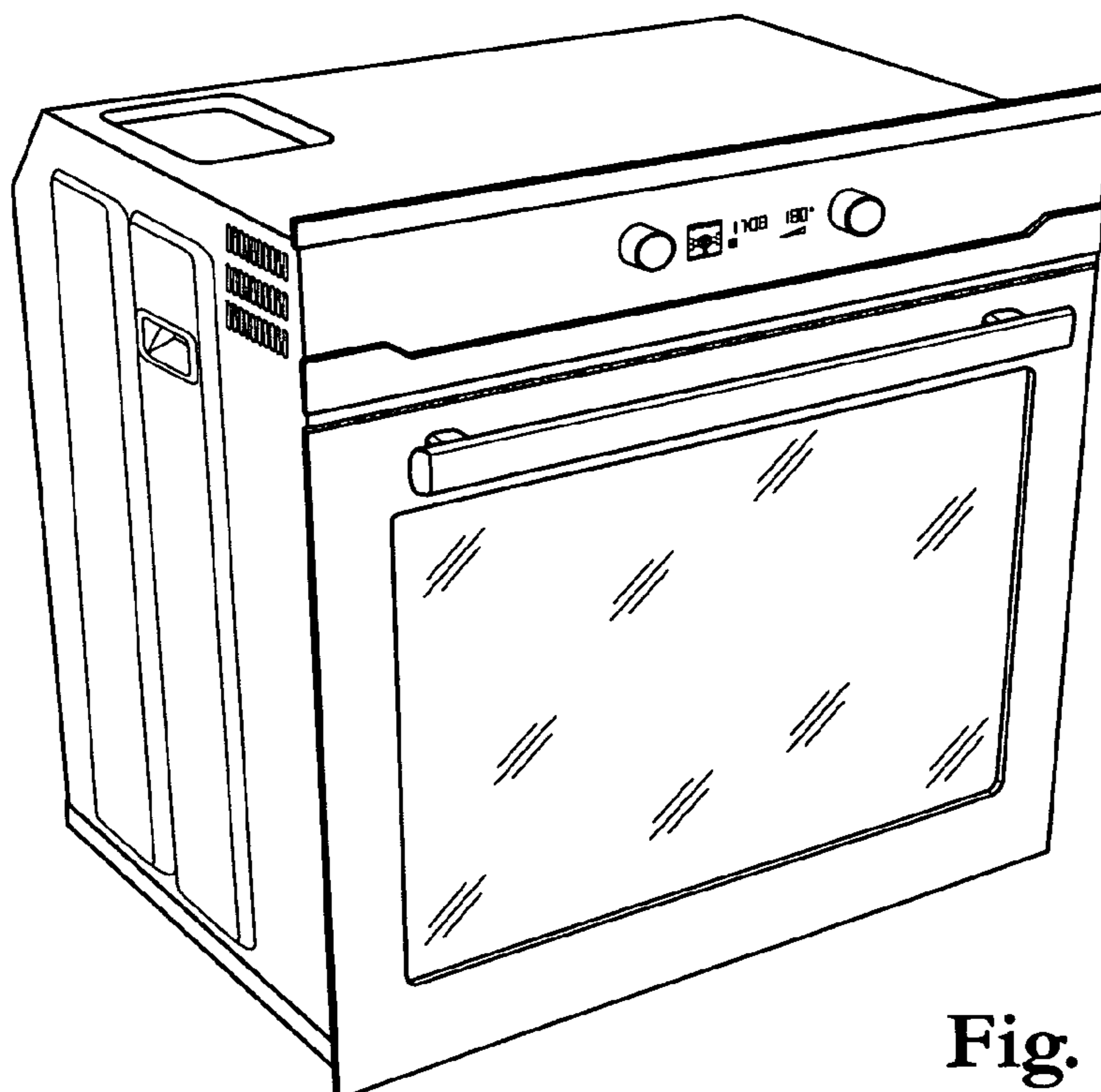


Fig. 2

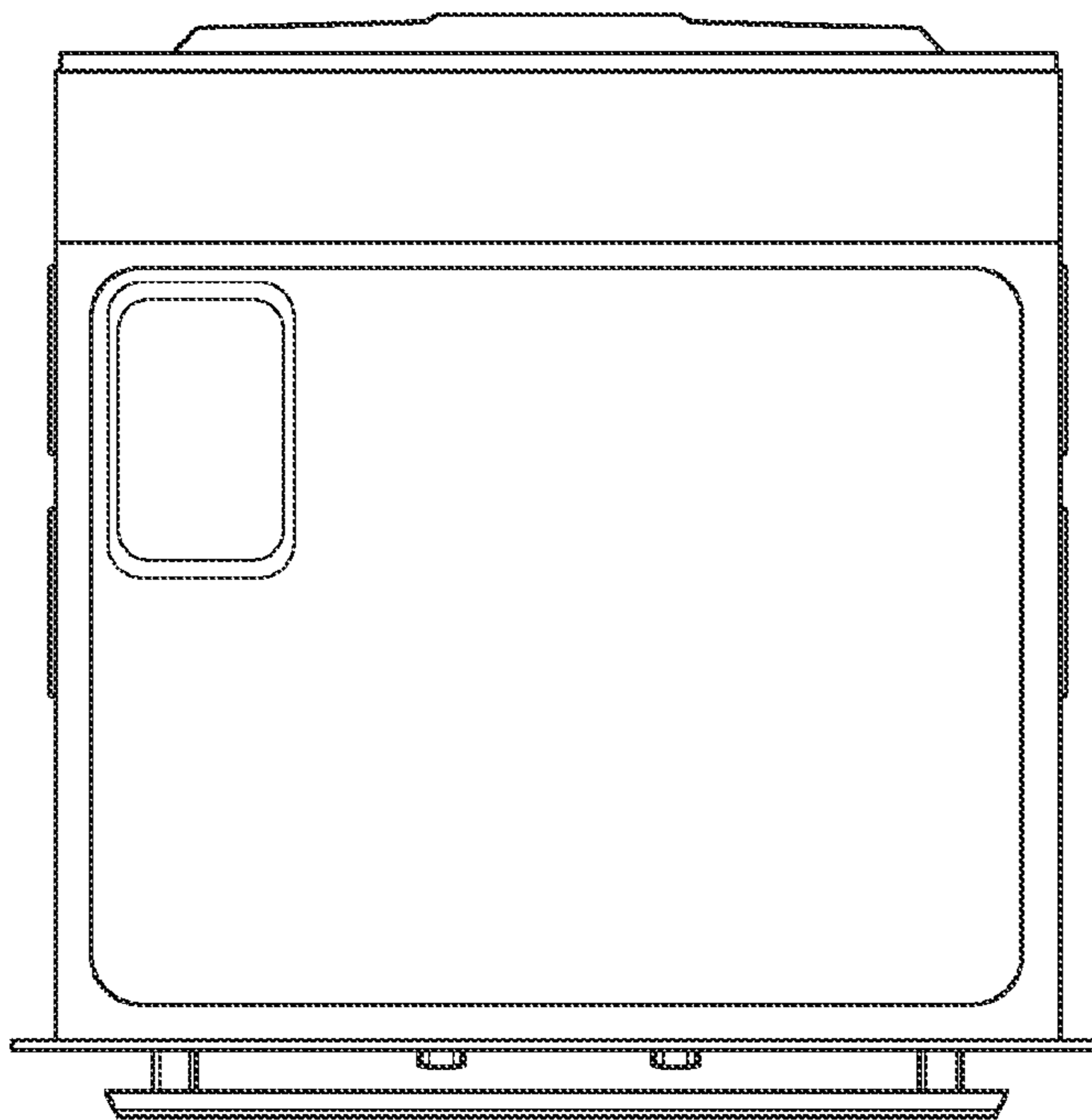


Fig. 3

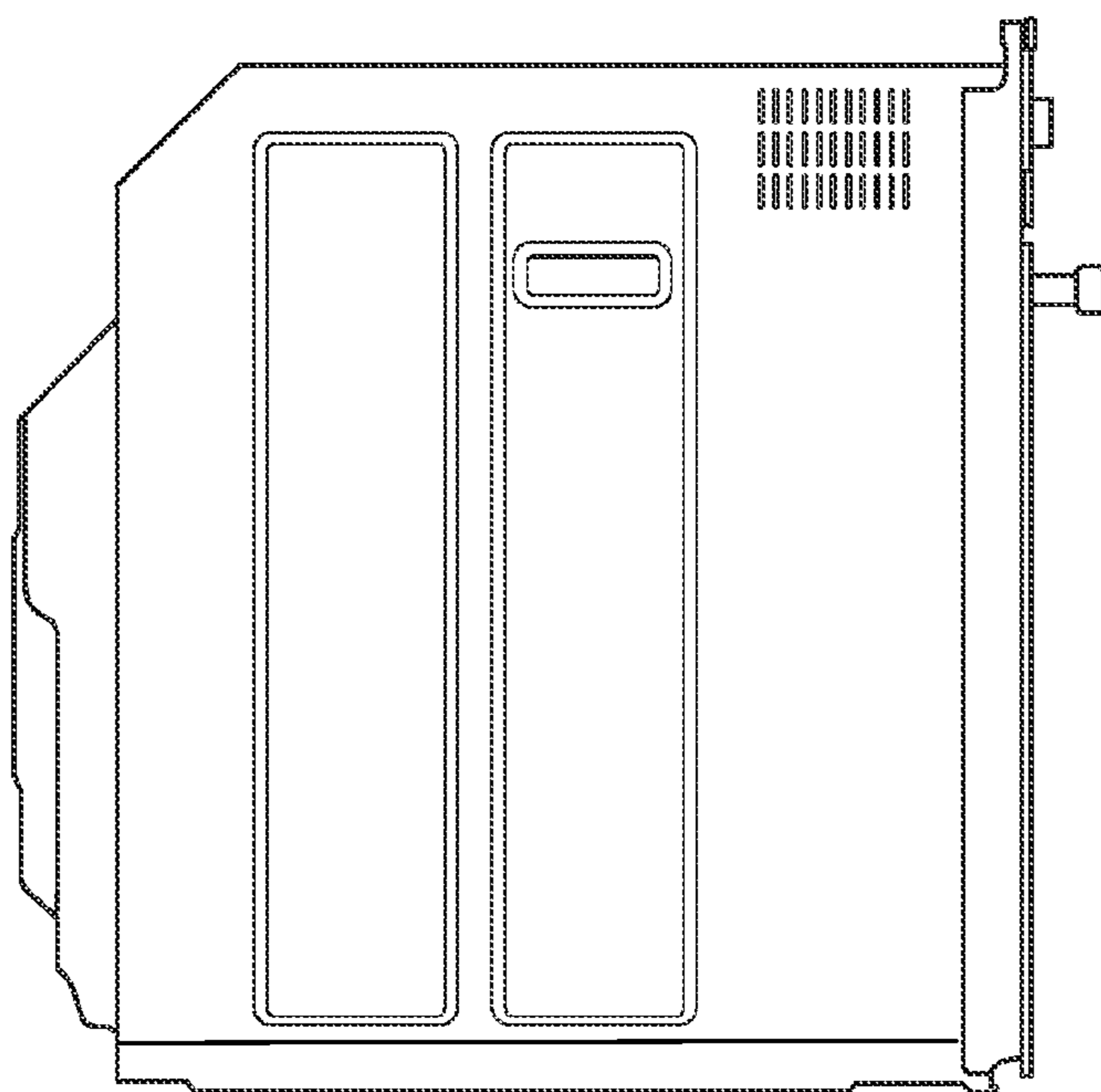


Fig. 4