



US00D611753S

(12) **United States Design Patent**  
**Gammack et al.**

(10) **Patent No.:** **US D611,753 S**  
(45) **Date of Patent:** **\*\* Mar. 16, 2010**

(54) **BEVERAGE DISPENSER**

5,570,816 A 11/1996 LaBarbera, Jr.  
5,632,449 A 5/1997 Sandolo  
5,823,422 A \* 10/1998 Collier et al. .... 229/103.1

(75) Inventors: **Peter David Gammack**, Malmesbury (GB); **James Dyson**, Malmesbury (GB)

(Continued)

(73) Assignee: **Dyson Limited**, Wiltshire (GB)

FOREIGN PATENT DOCUMENTS

(\*\*) Term: **14 Years**

DE 7436237 8/1975

(21) Appl. No.: **29/333,283**

(Continued)

(22) Filed: **Mar. 5, 2009**

OTHER PUBLICATIONS

(30) **Foreign Application Priority Data**

International Search Report and Written Opinion mailed Aug. 13, 2008 directed to related international application PCT/GB2008/000941; (13 pages).

Sep. 16, 2008 (GB) ..... 4008932

(Continued)

(51) **LOC (9) Cl.** ..... **07-01**

(52) **U.S. Cl.** ..... **D7/306**

(58) **Field of Classification Search** ..... D7/300,  
D7/305-312; 222/185.1, 129.1-129.4, 146.1;  
99/295, 275, 300, 302, 306, 470; D20/1,  
D20/4, 5; D15/82

*Primary Examiner*—Marianne Pandozzi  
(74) *Attorney, Agent, or Firm*—Morrison & Foerster LLP

See application file for complete search history.

(57) **CLAIM**

(56) **References Cited**

We claim the ornamental design for a beverage dispenser, as shown and described.

U.S. PATENT DOCUMENTS

**DESCRIPTION**

- 1,820,885 A 8/1931 Le Vine
- 1,831,561 A 11/1931 Harris
- D105,779 S 8/1937 Preston
- 2,131,278 A 9/1938 Gough
- 2,392,479 A \* 1/1946 Humbert ..... 229/103.1
- 3,416,430 A 12/1968 Hauser
- 3,497,281 A 2/1970 Wilde
- D245,608 S 8/1977 Murphy
- D269,680 S 7/1983 Prandelli
- D276,207 S 11/1984 Van Asten
- 4,487,115 A 12/1984 Su
- 4,736,896 A 4/1988 Wagner
- 4,936,515 A 6/1990 Poag et al.
- 4,971,259 A 11/1990 Nidiffer
- 4,971,515 A 11/1990 Nidiffer
- 4,974,751 A 12/1990 King
- 5,172,868 A 12/1992 Midden
- D340,832 S 11/1993 Macchi
- D358,427 S 5/1995 Gobindram

FIG. 1 is a front perspective view of a beverage dispenser showing our new design;

FIG. 2 is a front perspective view thereof, showing the spout in extended position;

FIG. 3 is a front perspective view of the design of FIG. 1 showing the door in open position;

FIG. 4 is a front view thereof;

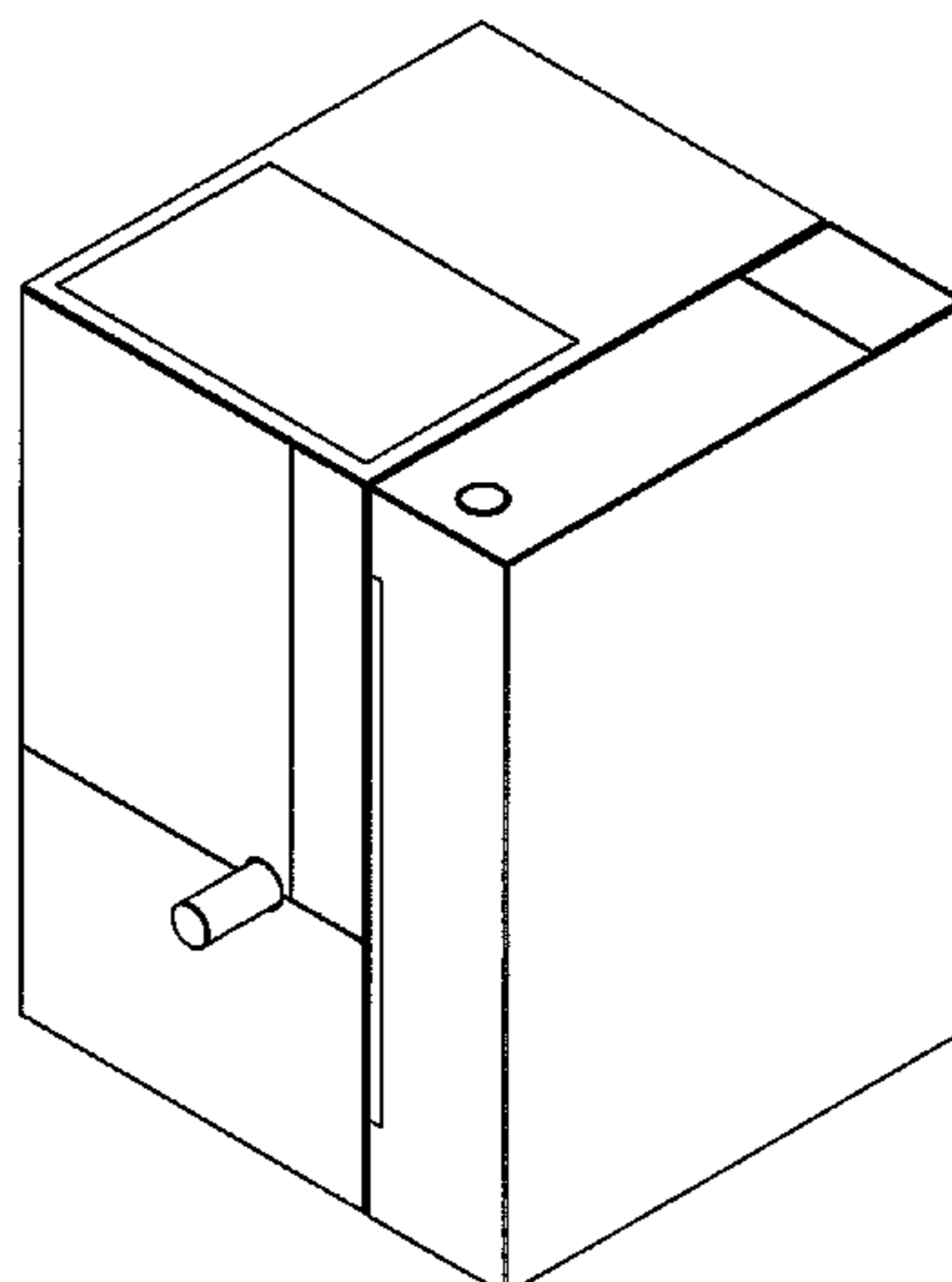
FIG. 5 is a rear view thereof;

FIG. 6 is a top plan view thereof; and,

FIG. 7 is a bottom plan view thereof.

The broken lines in FIG. 3 are included for the purpose of illustration and form no part of the claimed design.

**1 Claim, 7 Drawing Sheets**



# US D611,753 S

Page 2

## U.S. PATENT DOCUMENTS

6,019,030 A 2/2000 Kettman  
D423,861 S \* 5/2000 Graffius ..... D7/305  
6,267,044 B1 7/2001 Friel  
6,484,626 B1 11/2002 Tsai et al.  
D475,234 S 6/2003 Takase et al.  
D482,231 S 11/2003 Dickson, Jr. et al.  
6,675,700 B2 1/2004 Hong  
6,860,764 B2 3/2005 Khoury  
7,043,929 B2 \* 5/2006 Wang ..... 62/188  
7,189,945 B2 3/2007 Starr et al.  
D547,136 S 7/2007 Spagnolo  
D552,411 S 10/2007 Plante at al.  
D563,234 S \* 3/2008 Moreno ..... D9/572  
7,354,612 B2 4/2008 Friel  
D570,636 S 6/2008 Kulujian et al.  
D571,597 S 6/2008 Glucksman et al.  
D577,244 S 9/2008 Cahen  
D587,511 S 3/2009 Buttler  
D595,991 S 7/2009 Zimmerman  
D598,236 S 8/2009 Dyson et al.  
D601,847 S \* 10/2009 Gammack et al. .... D7/306  
D604,121 S \* 11/2009 Gammack et al. .... D7/665  
2005/0178757 A1 8/2005 Starr  
2008/0277512 A1 11/2008 Vuijk  
2009/0095728 A1 4/2009 Dyson et al.  
2009/0095729 A1 4/2009 Dyson et al.  
2009/0139409 A1 6/2009 Hall et al.

## FOREIGN PATENT DOCUMENTS

EP 0153549 9/1985  
EP 0236549 9/1987  
EP 0736279 10/1996

EP 0864510 3/1997  
EP 0804894 11/1997  
EP 1323367 7/2003  
EP 1493366 1/2005  
FR 2544185 10/1984  
GB 2253178 9/1992  
JP 59-55157 3/1984  
RU 2076573 4/1997  
SU 1540776 12/1987  
WO WO 00/27262 A1 5/2000  
WO WO-01/48711 7/2001  
WO WO-01/52704 A1 7/2001  
WO WO-2004/105184 12/2004

## OTHER PUBLICATIONS

GB Search Report, dated Feb. 1, 2008, directed to related GB Application No. GB0720147.8; (1 page).  
GB Search Report, dated Jul. 16, 2007, directed to related GB Application No. GB0705363.0; (1 page).  
GB Search Report, dated Aug. 30, 2007, directed to related GB Application No. GB0705363.0; (2 pages).  
International Search Report and Written Opinion mailed Mar. 20, 2009 directed to related international application PCT/GB2008/003267; (10 pages).  
GB Search Report, dated Apr. 10, 2008, directed to related GB Application No. GB0723541.9; (1 page).  
GB Search Report, dated Feb. 26, 2009, directed to related GB Application No. GB0820141.0; (1 page).  
International Search Report and Written Opinion mailed Mar. 20, 2009 directed to related international application PCT/GB2008/003266; (10 pages).  
GB Search Report, dated Feb. 14, 2008, directed to related GB Application No. GB0720132.0; (1 page).

\* cited by examiner

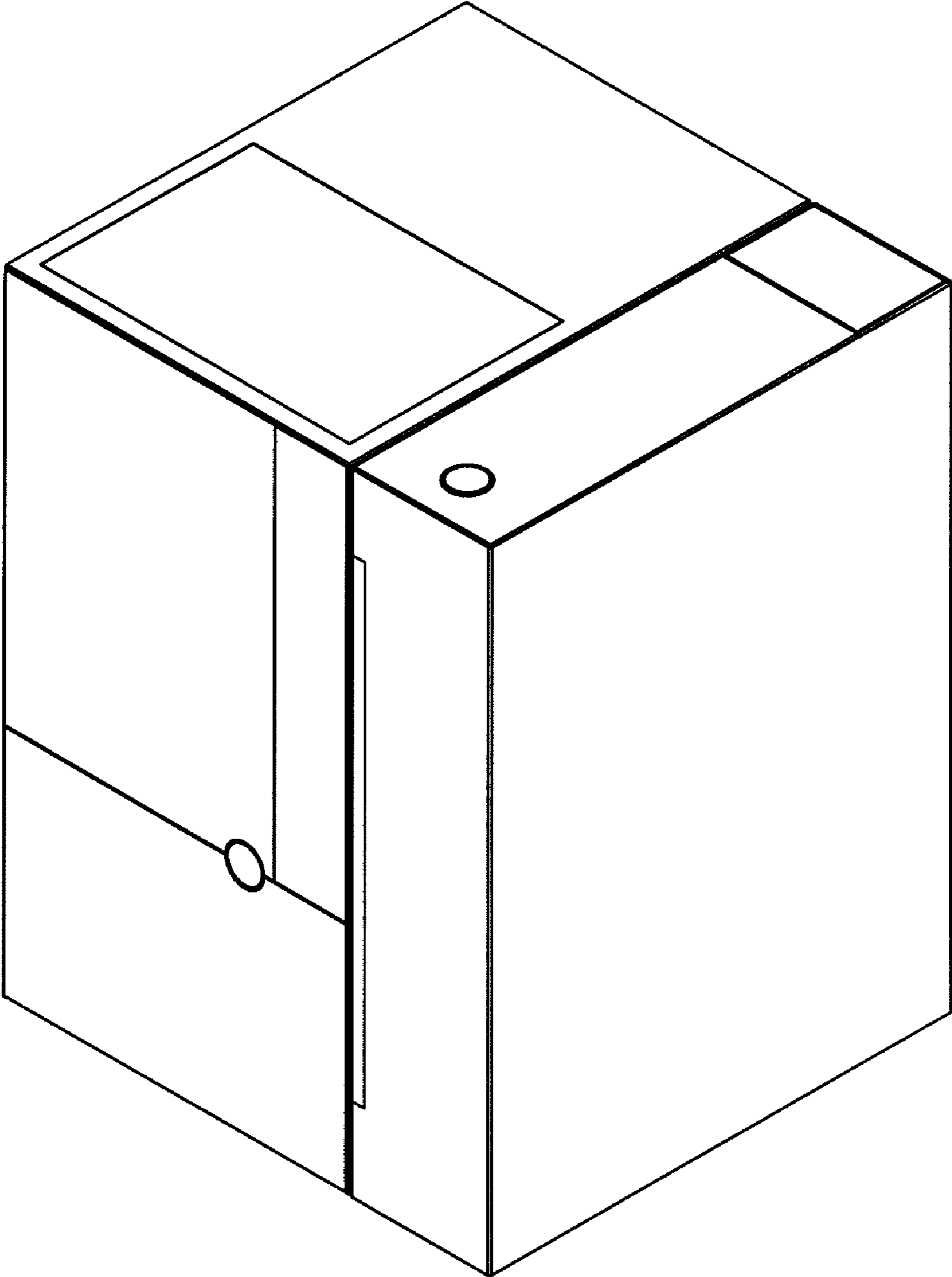


FIG. 1

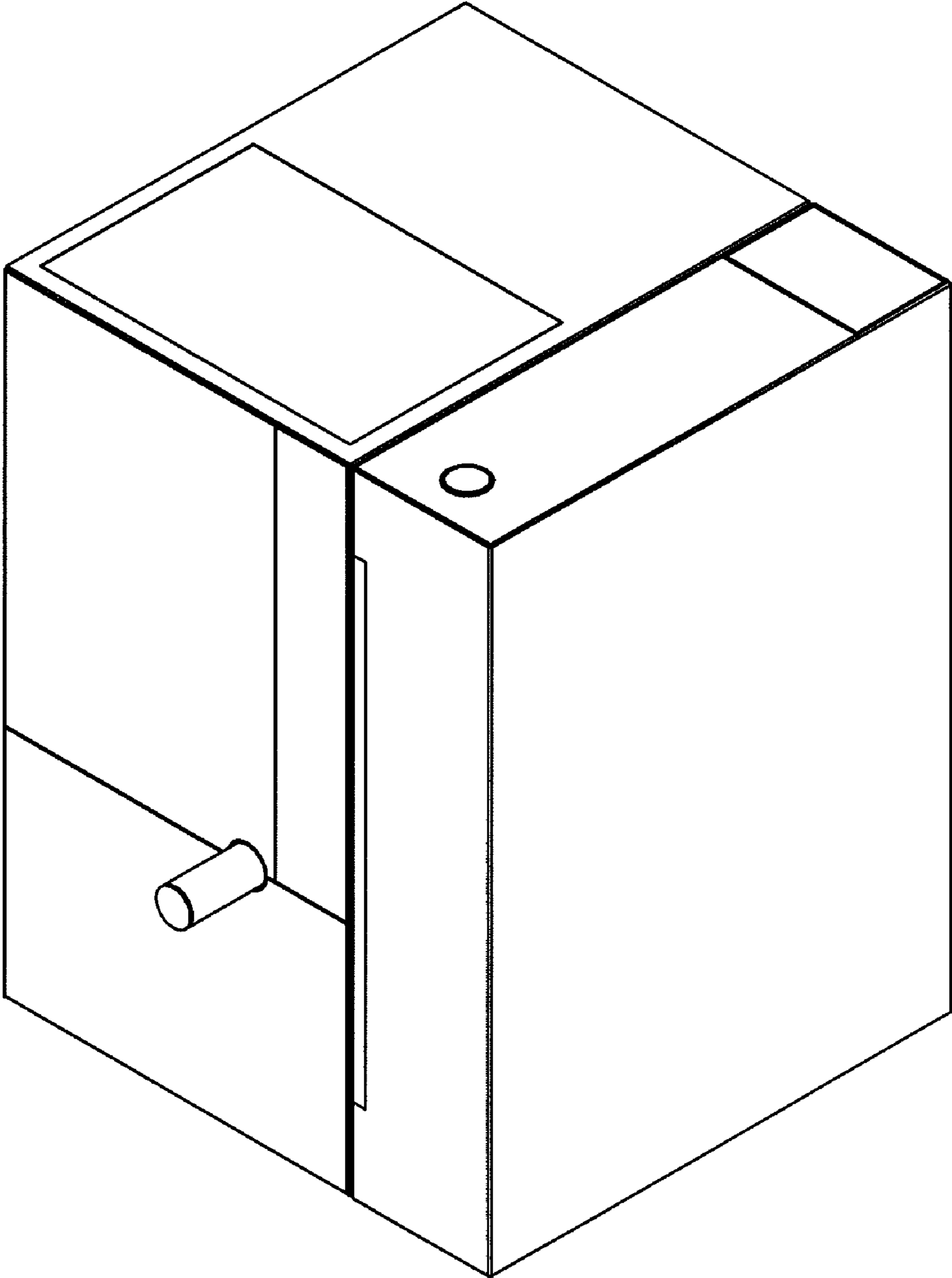


FIG. 2

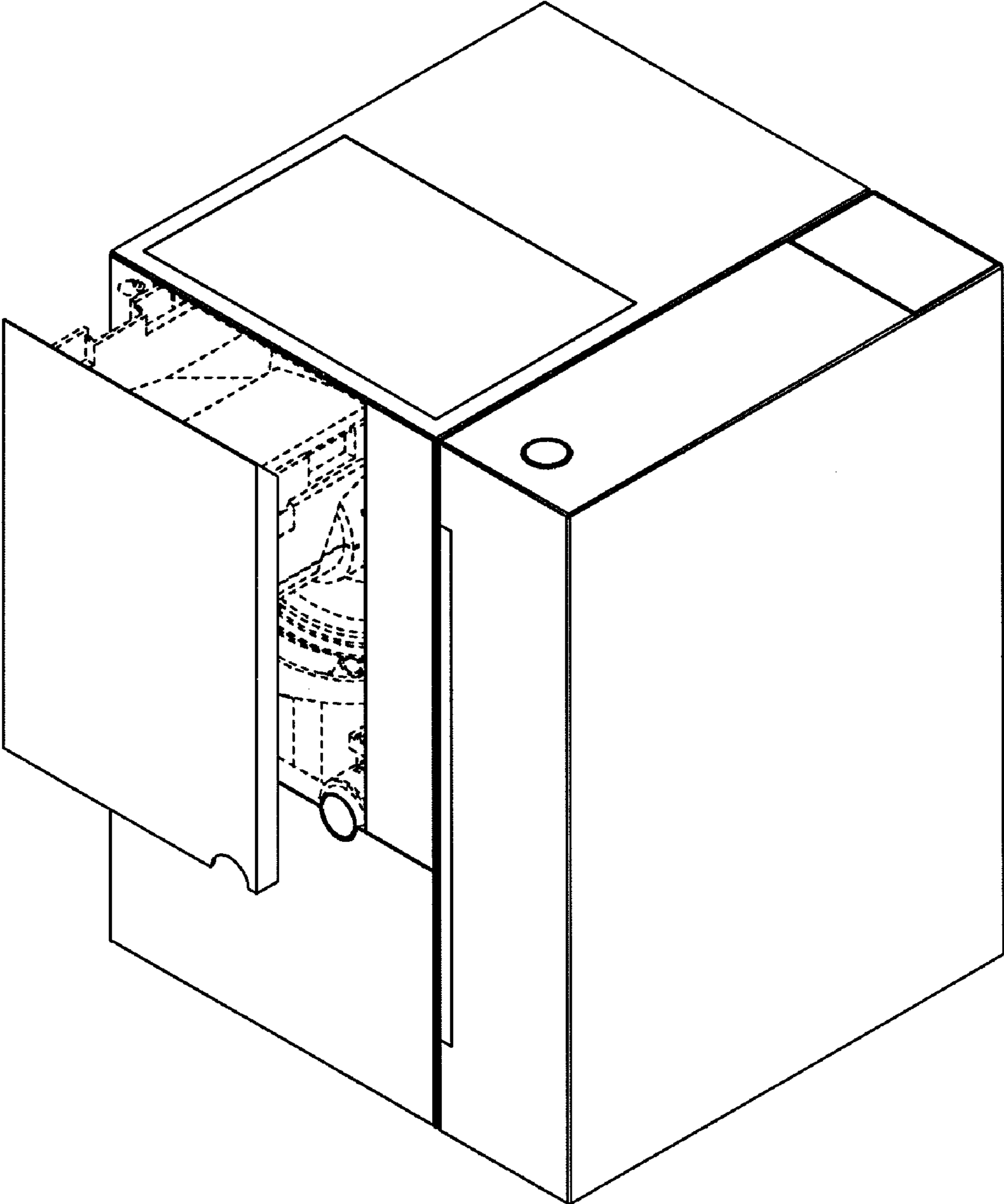


FIG. 3

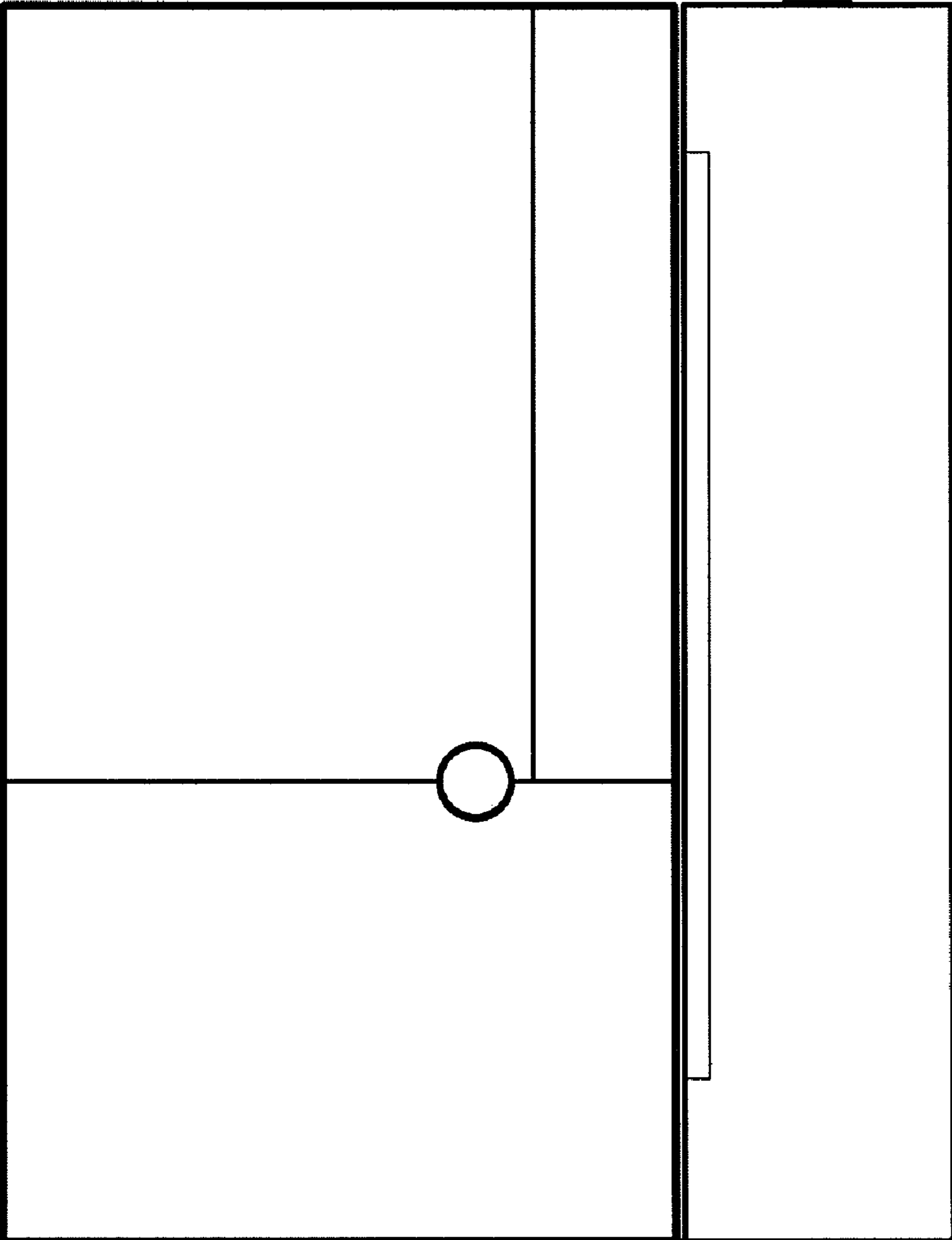


FIG. 4

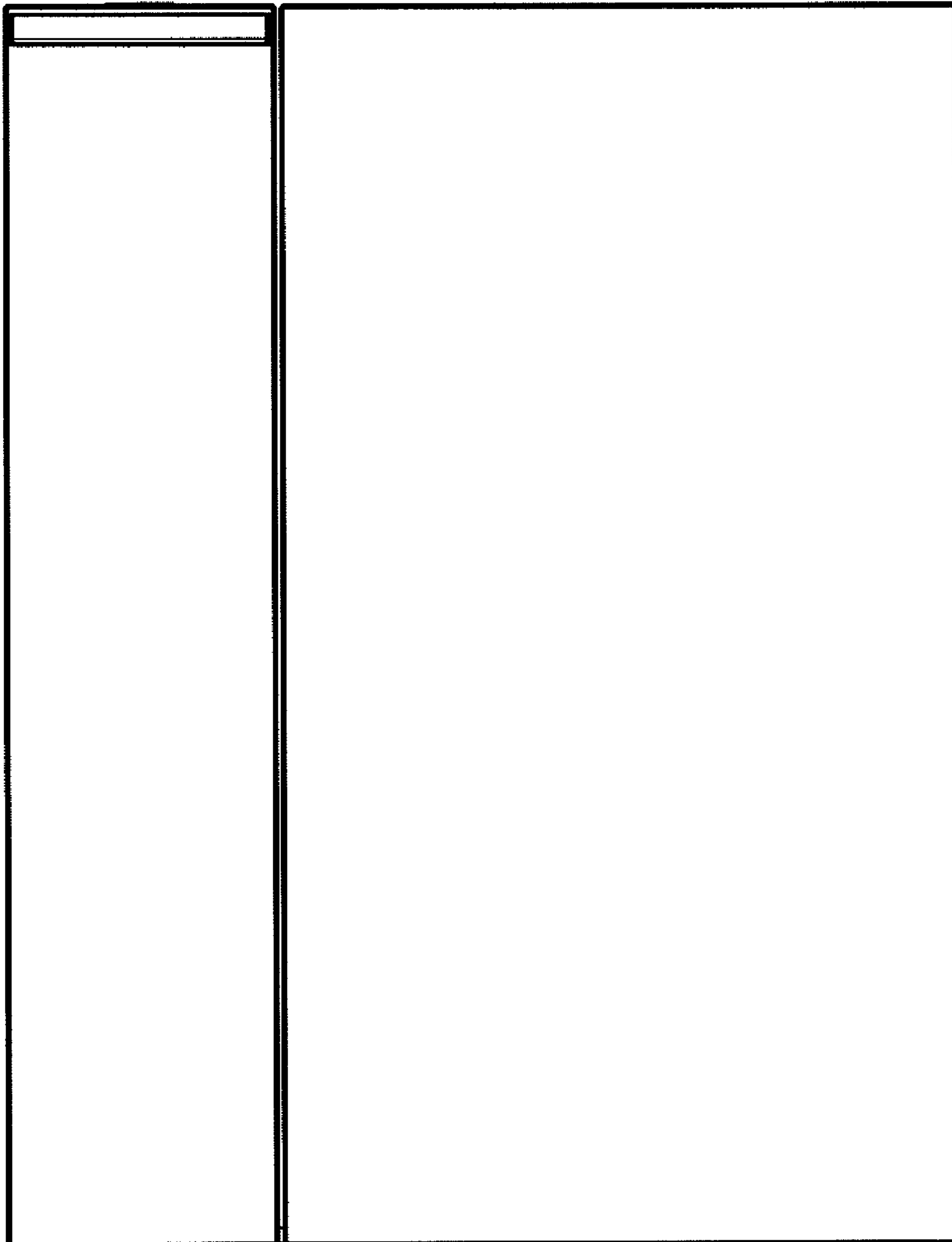


FIG. 5

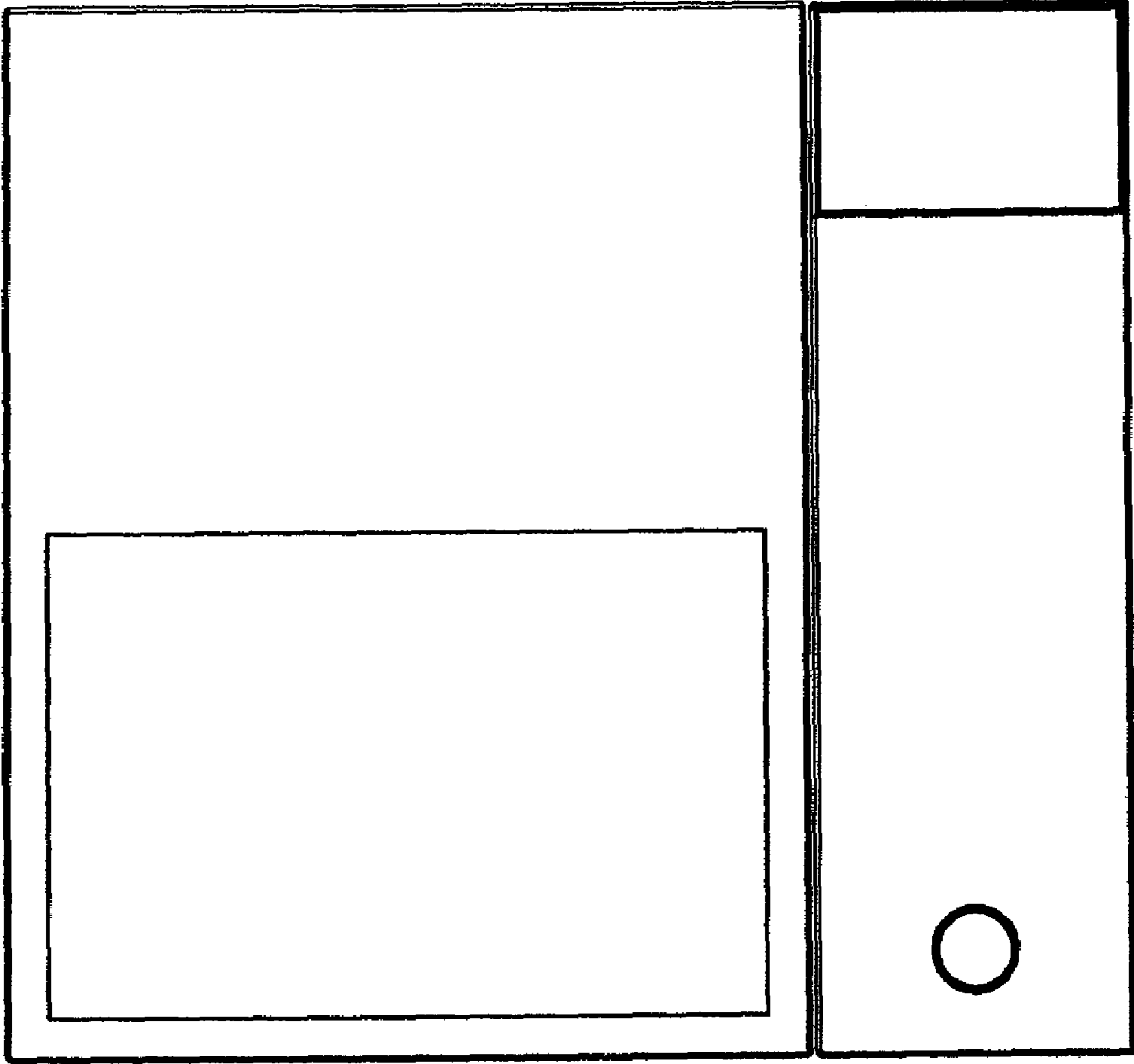


FIG. 6



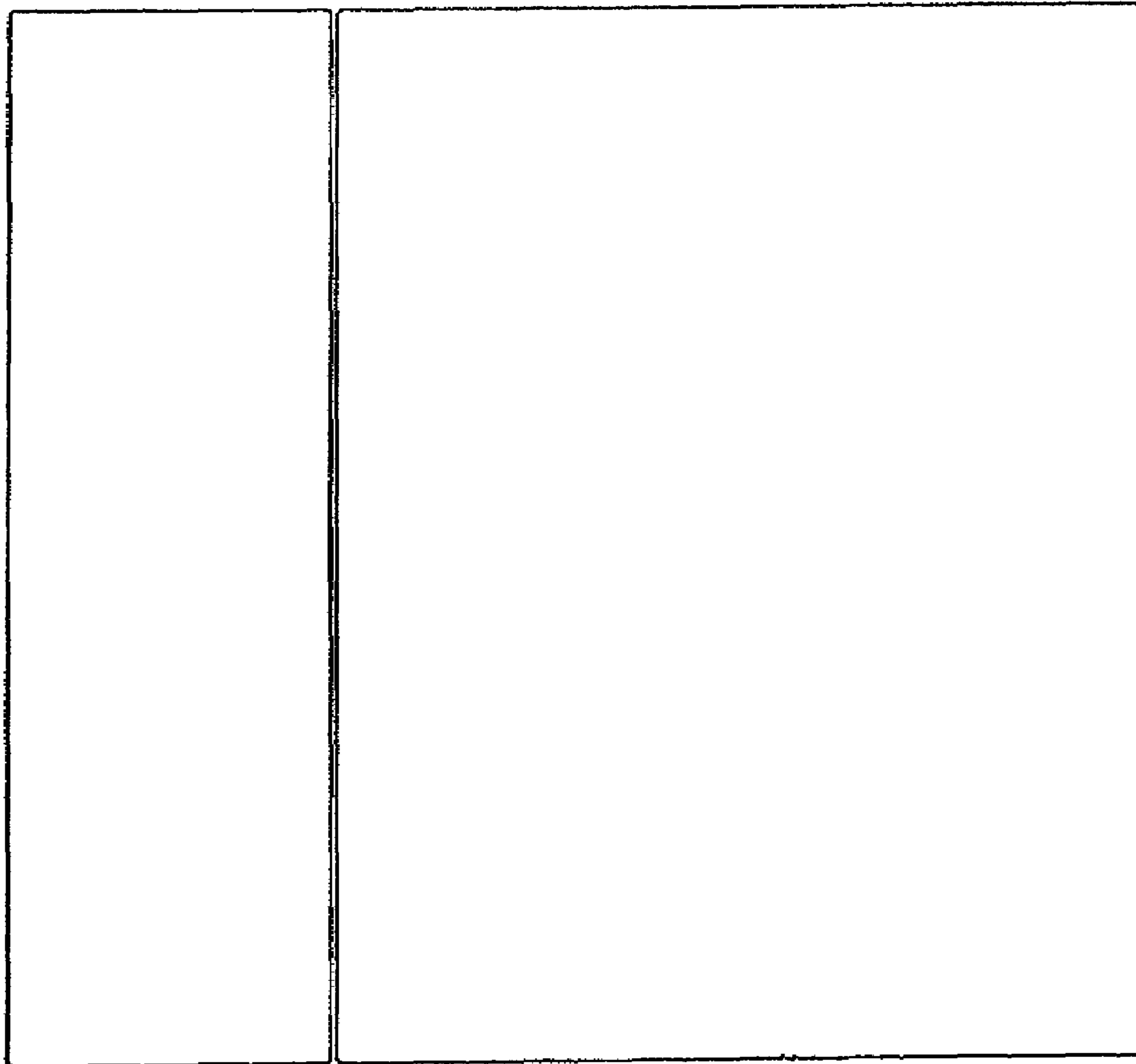


FIG. 7