



US00D611748S

(12) **United States Design Patent**  
**Stephens**

(10) **Patent No.:** **US D611,748 S**  
(45) **Date of Patent:** **\*\* Mar. 16, 2010**

(54) **BEVERAGE CONTAINER HOLDER**

(76) Inventor: **Matthew Stephens**, 25692 Madison Rd.,  
Suite N1401, Cincinnati, OH (US) 45208

(\*\*) Term: **14 Years**

(21) Appl. No.: **29/312,365**

(22) Filed: **Oct. 16, 2008**

(51) **LOC (9) Cl.** ..... **06-04**

(52) **U.S. Cl.** ..... **D6/567; D7/619.1**

(58) **Field of Classification Search** ..... D6/512,  
D6/515, 553, 567, 524-525, 574; D7/619.1;  
211/13.1, 85.4, 32, 35, 41.1, 41.5, 41.6, 42-43,  
211/49.1, 70.6, 74, 75, 86.01, 87.01, 90.01,  
211/90.02, 119.003, 119.005, 126.1, 126.5,  
211/126.6

See application file for complete search history.

(56) **References Cited**

**U.S. PATENT DOCUMENTS**

2,061,937 A \* 11/1936 Fay ..... 211/49.1  
D312,185 S \* 11/1990 Prater, Sr. .... D6/574  
D336,579 S \* 6/1993 Keller et al. .... D6/574

(Continued)

*Primary Examiner*—Brian N Vinson

(74) *Attorney, Agent, or Firm*—McDonald Hopkins Co. LLC

(57) **CLAIM**

The ornamental design of a beverage container holder, as shown and described.

**DESCRIPTION**

FIG. 1 is a top, front and left perspective view of a beverage container holder arranged in an open position;

FIG. 2 is a front view of the beverage container holder as arranged in FIG. 1;

FIG. 3 is a rear view of the beverage container holder as arranged in FIG. 1;

FIG. 4 is a left side view of the beverage container holder as arranged in FIG. 1;

FIG. 5 is a top view of the beverage container holder as arranged in FIG. 1;

FIG. 6 is a bottom view of the beverage container holder as arranged in FIG. 1;

FIG. 7 is a top, front and left perspective view of the beverage container holder as arranged in FIG. 1 while holding bottles;

FIG. 8 is a top, front and left perspective view of the beverage container holder arranged in a semi-closed position;

FIG. 9 is a top, front and left perspective view of the beverage container holder arranged in a closed position;

FIG. 10 is a top, front and left perspective view of the beverage container holder arranged in an open position with a support leaf extended;

FIG. 11 is a front view of the beverage container holder as arranged in FIG. 10;

FIG. 12 is a rear view of the beverage container holder as arranged in FIG. 10;

FIG. 13 is a left side view of the beverage container holder as arranged in FIG. 10;

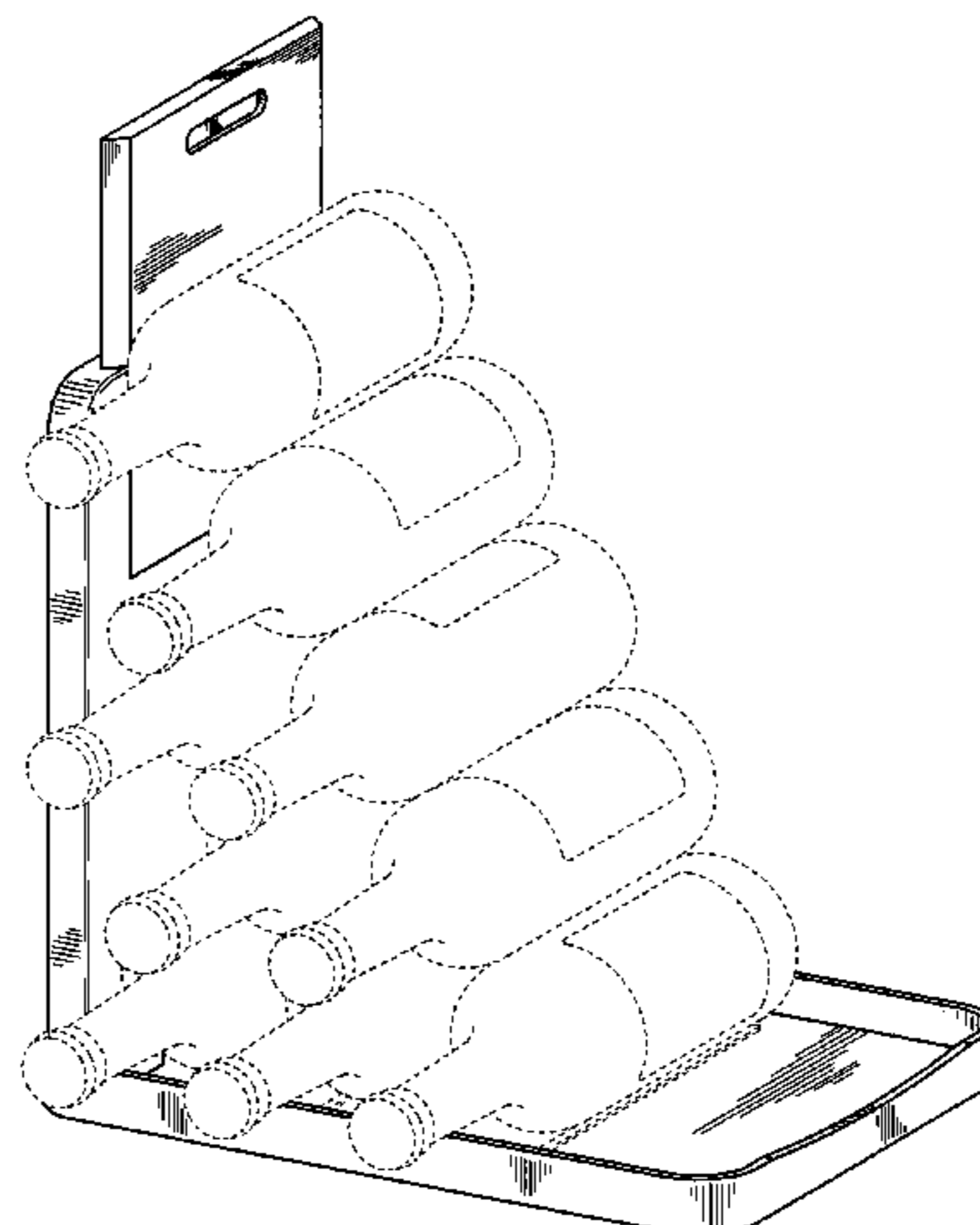
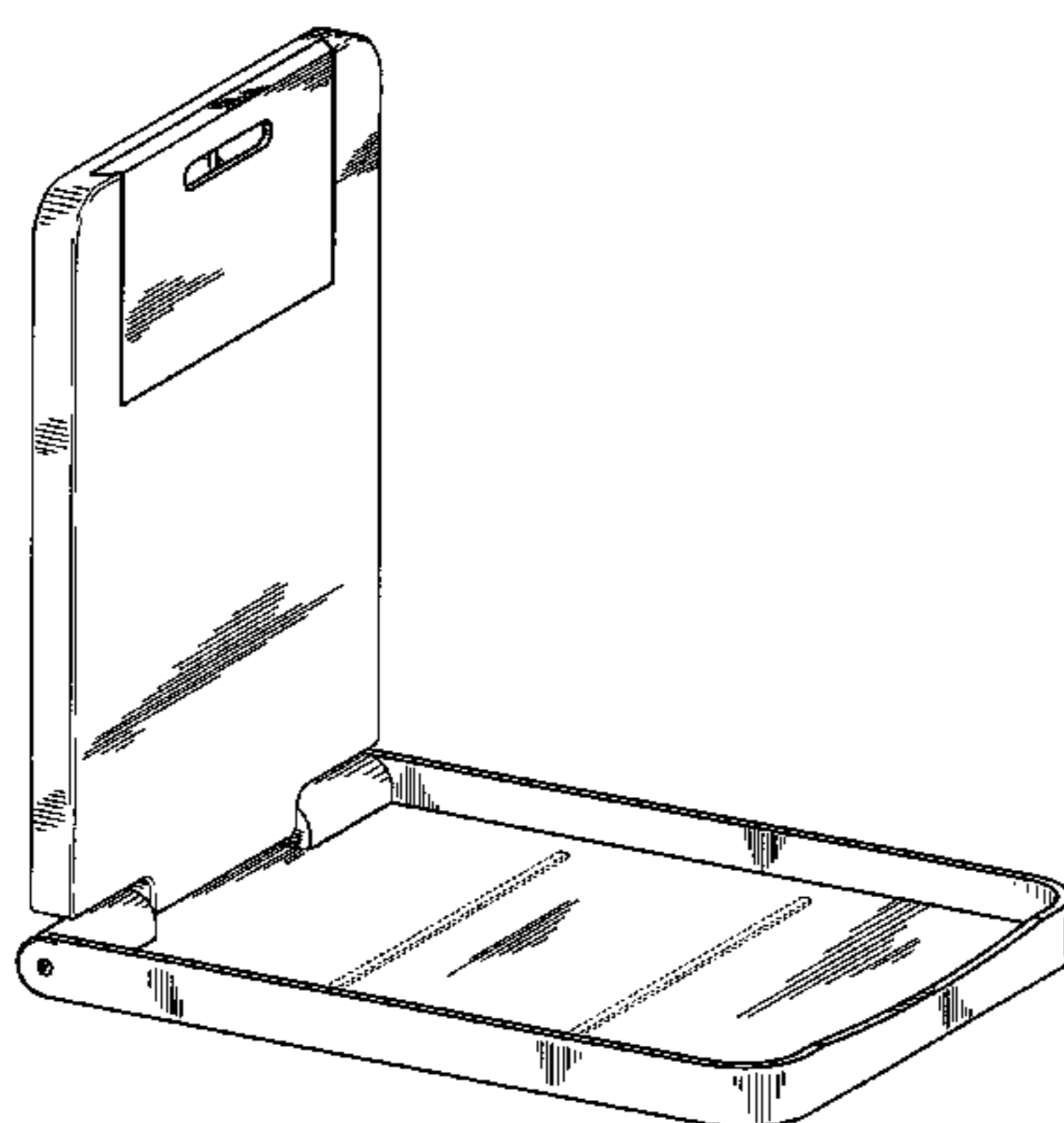
FIG. 14 is a top view of the beverage container holder as arranged in FIG. 10;

FIG. 15 is a bottom view of the beverage container holder as arranged in FIG. 10; and,

FIG. 16 is a top, front and left perspective view of the beverage container holder as arranged in FIG. 10 while holding bottles.

The broken line disclosure of the elements visible on the horizontal component in the views is understood to represent a portion of the article in which the claimed design is embodied, but which forms no part of the claimed design, while the broken line disclosure of wine bottles in the views is for illustrative purposes only and forms no part of the claimed design.

**1 Claim, 13 Drawing Sheets**



# US D611,748 S

Page 2

---

## U.S. PATENT DOCUMENTS

D386,637 S *	11/1997	St-Pierre et al. ....	D6/515	D546,610 S *	7/2007	Blanchard .....	D6/567
D414,059 S *	9/1999	Scholey et al. ....	D6/515	D562,081 S *	2/2008	Ambach .....	D7/619.1
D425,375 S *	5/2000	Parham .....	D7/619.1	* cited by examiner			

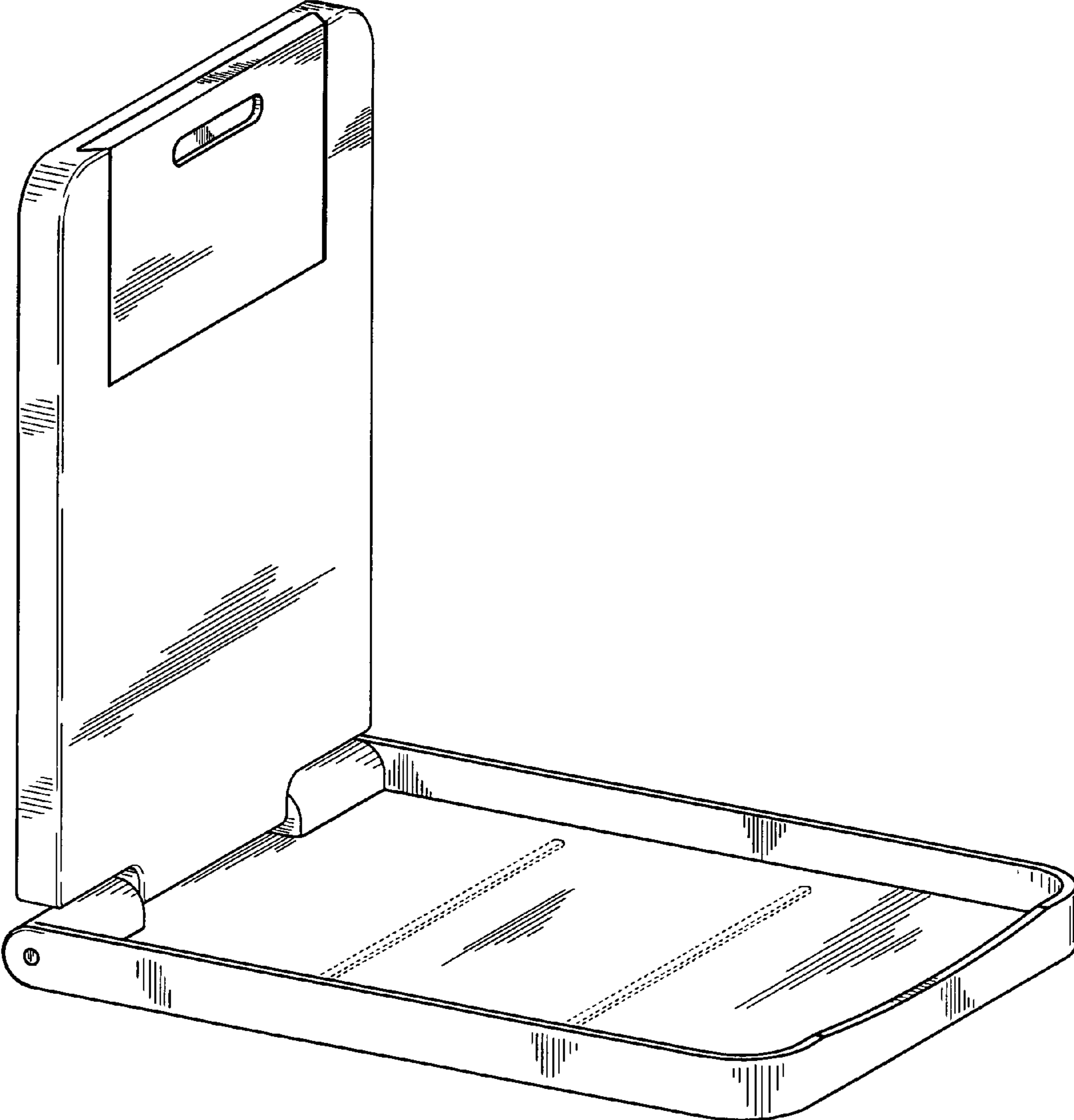


Fig. 1

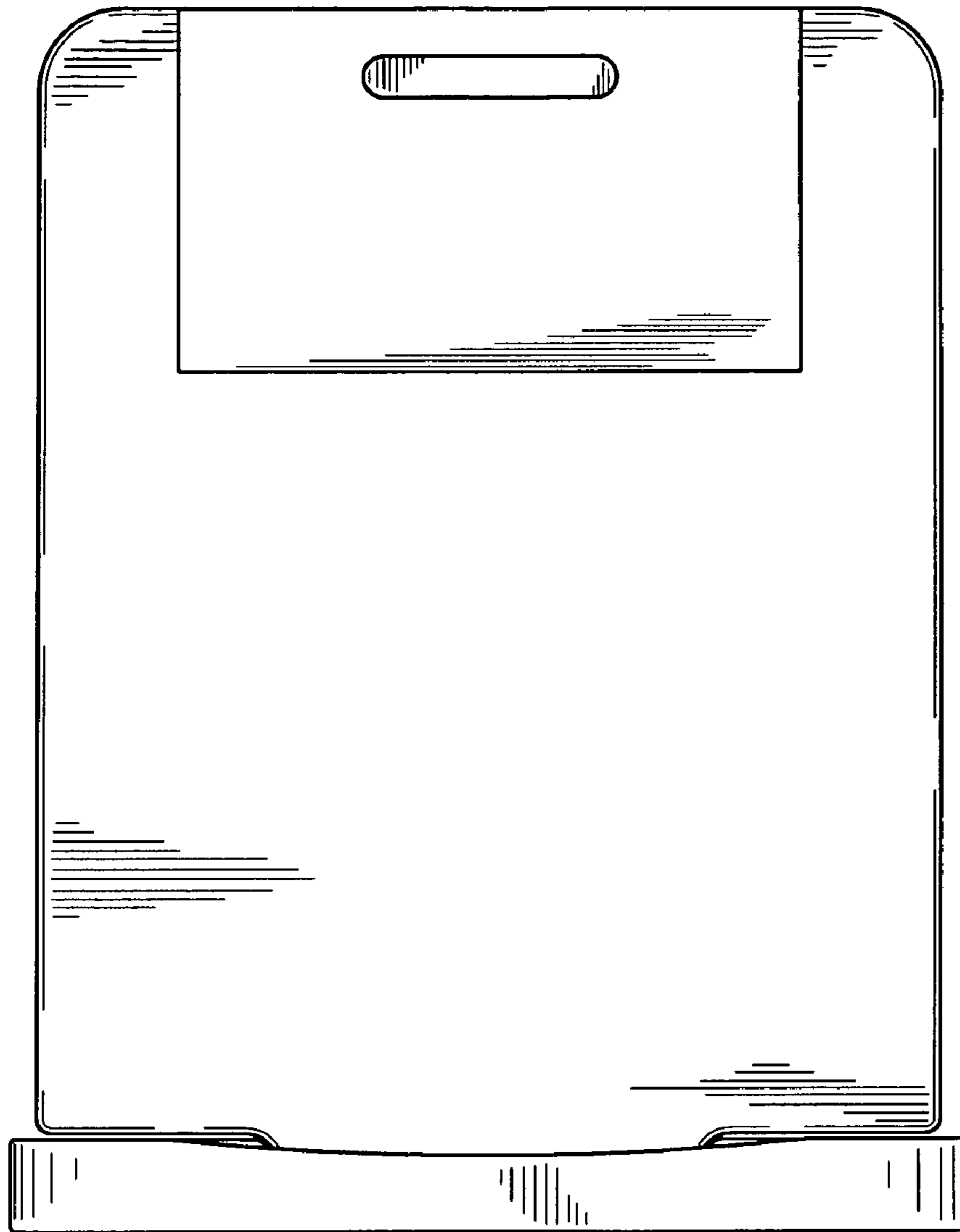


Fig. 2

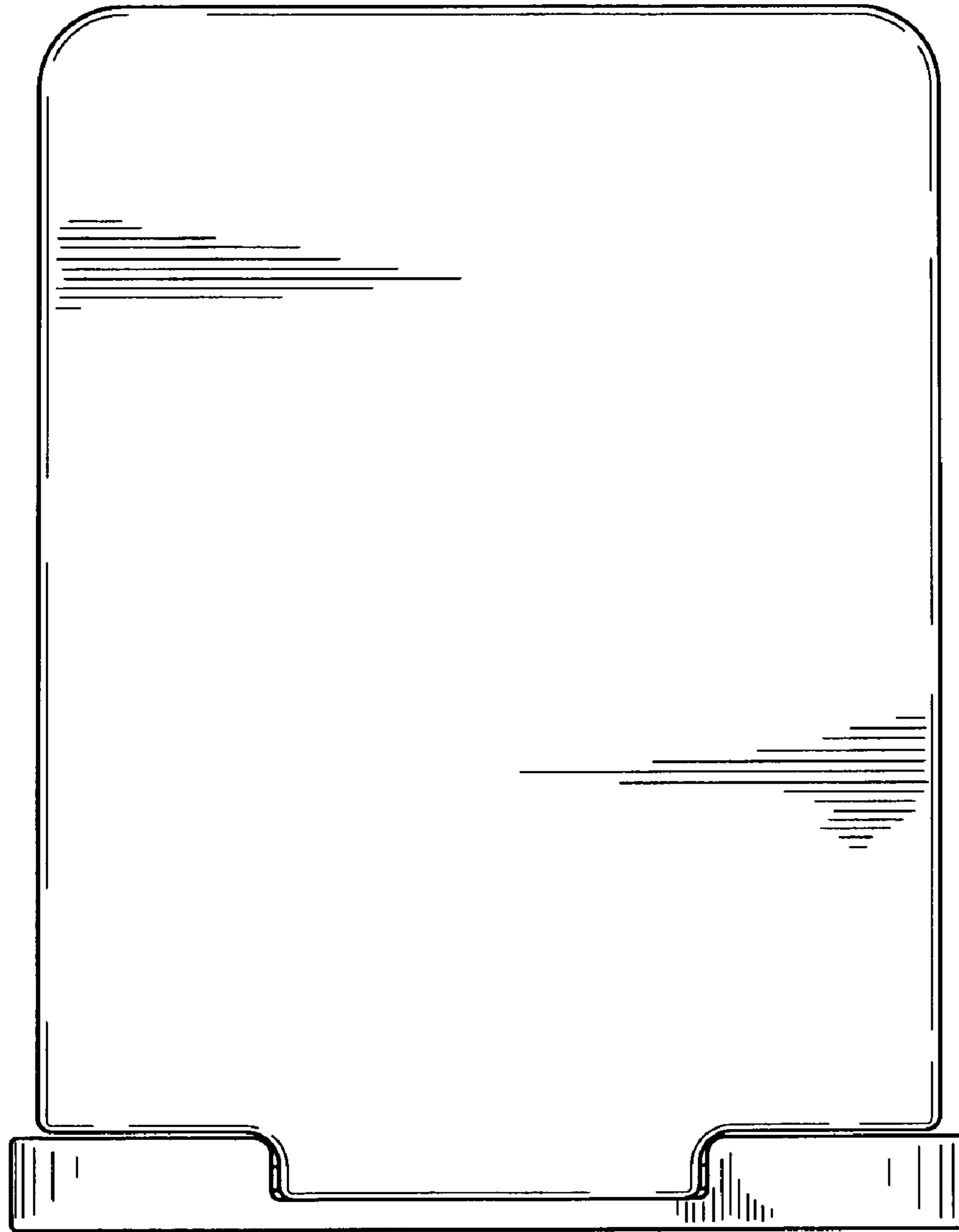


Fig. 3

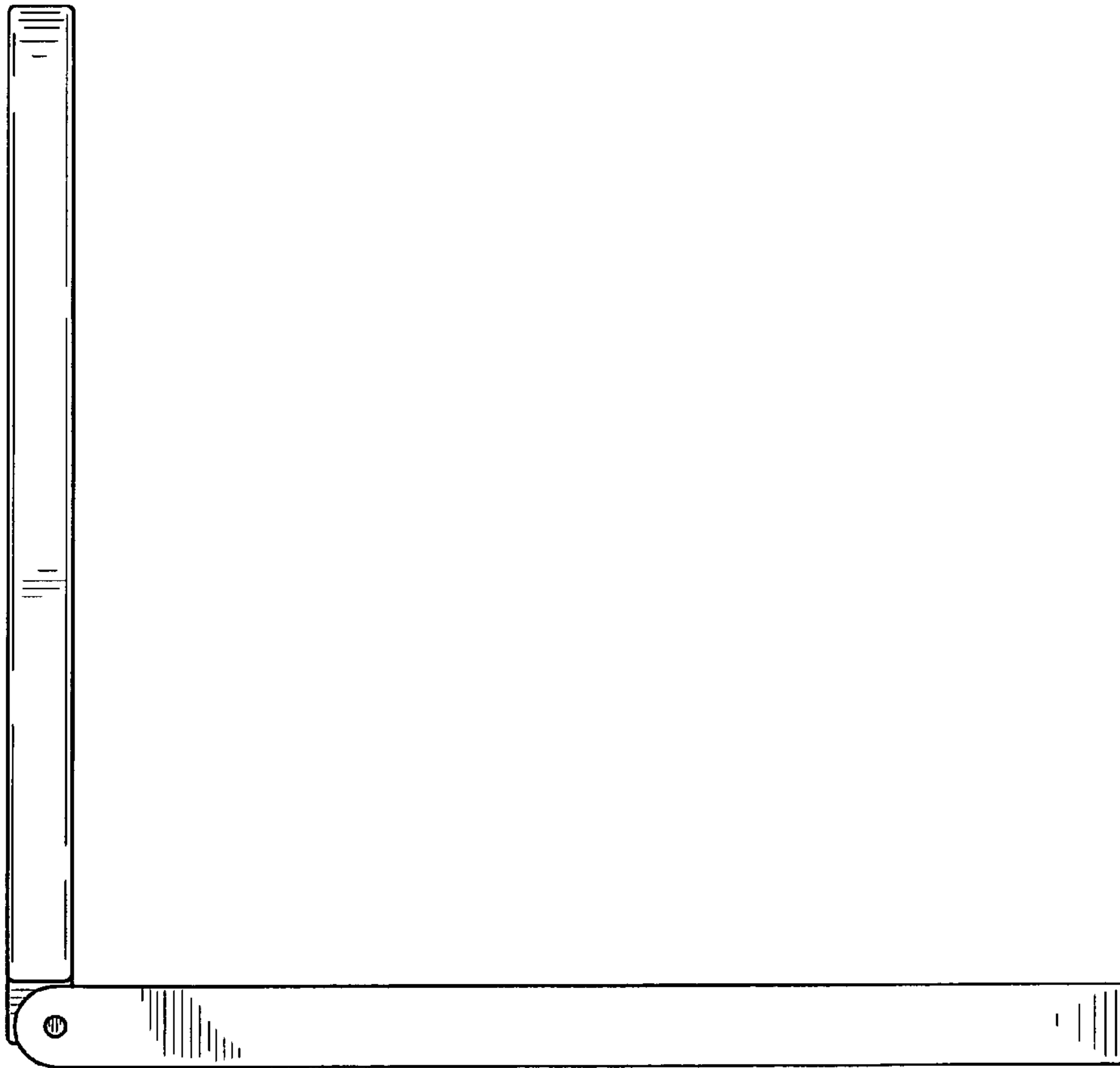


Fig. 4

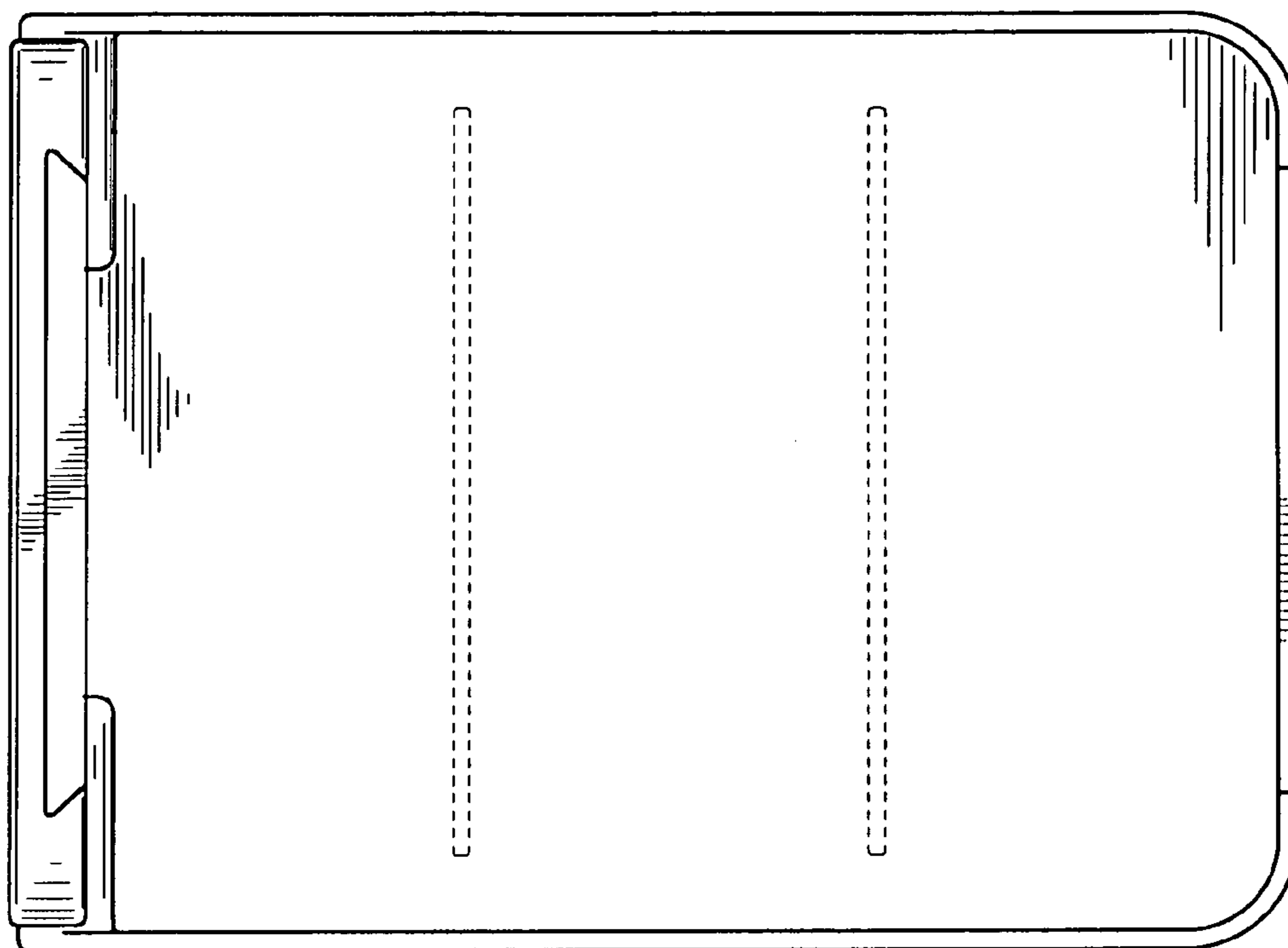


Fig. 5

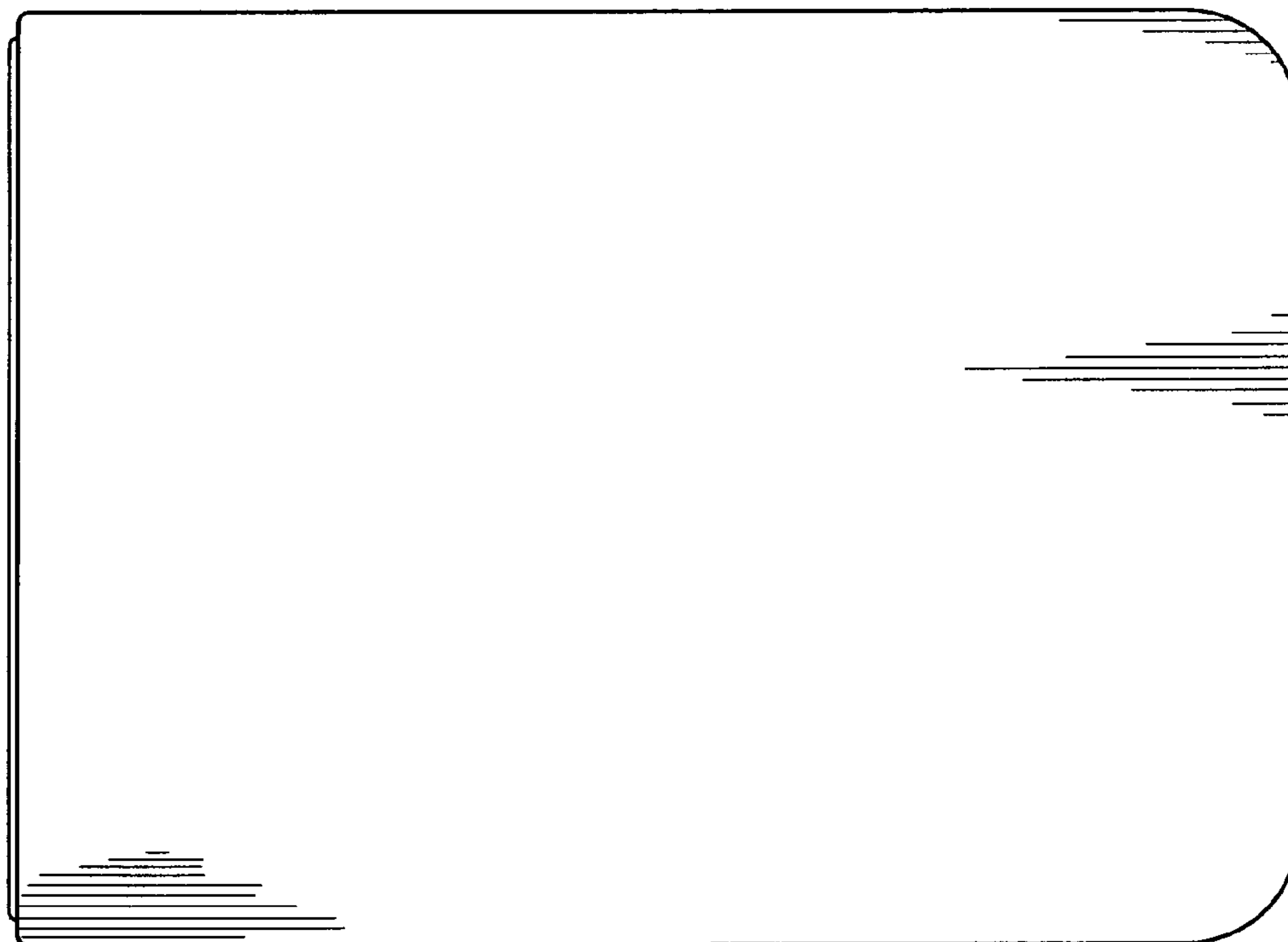


Fig. 6

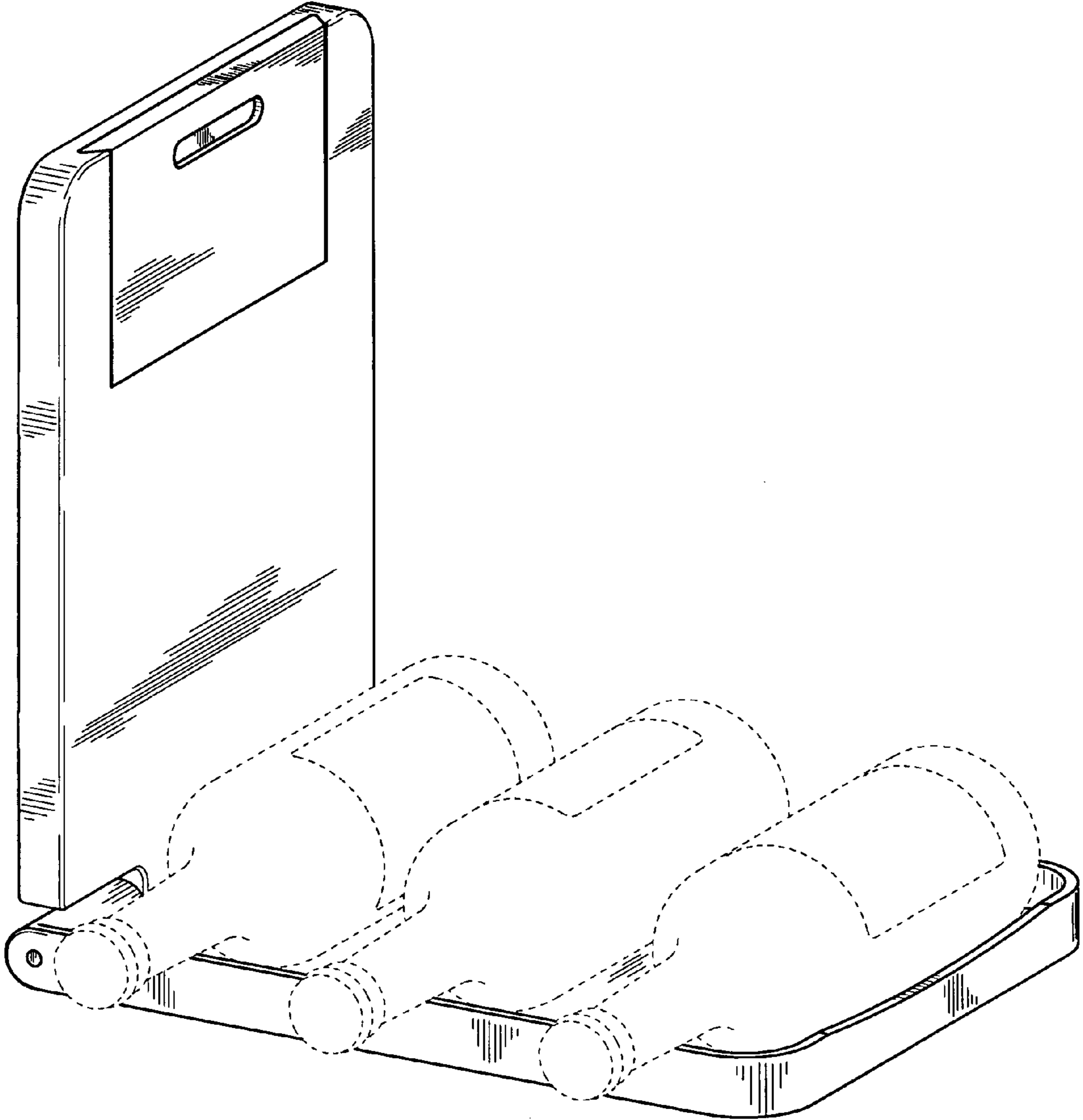


Fig. 7



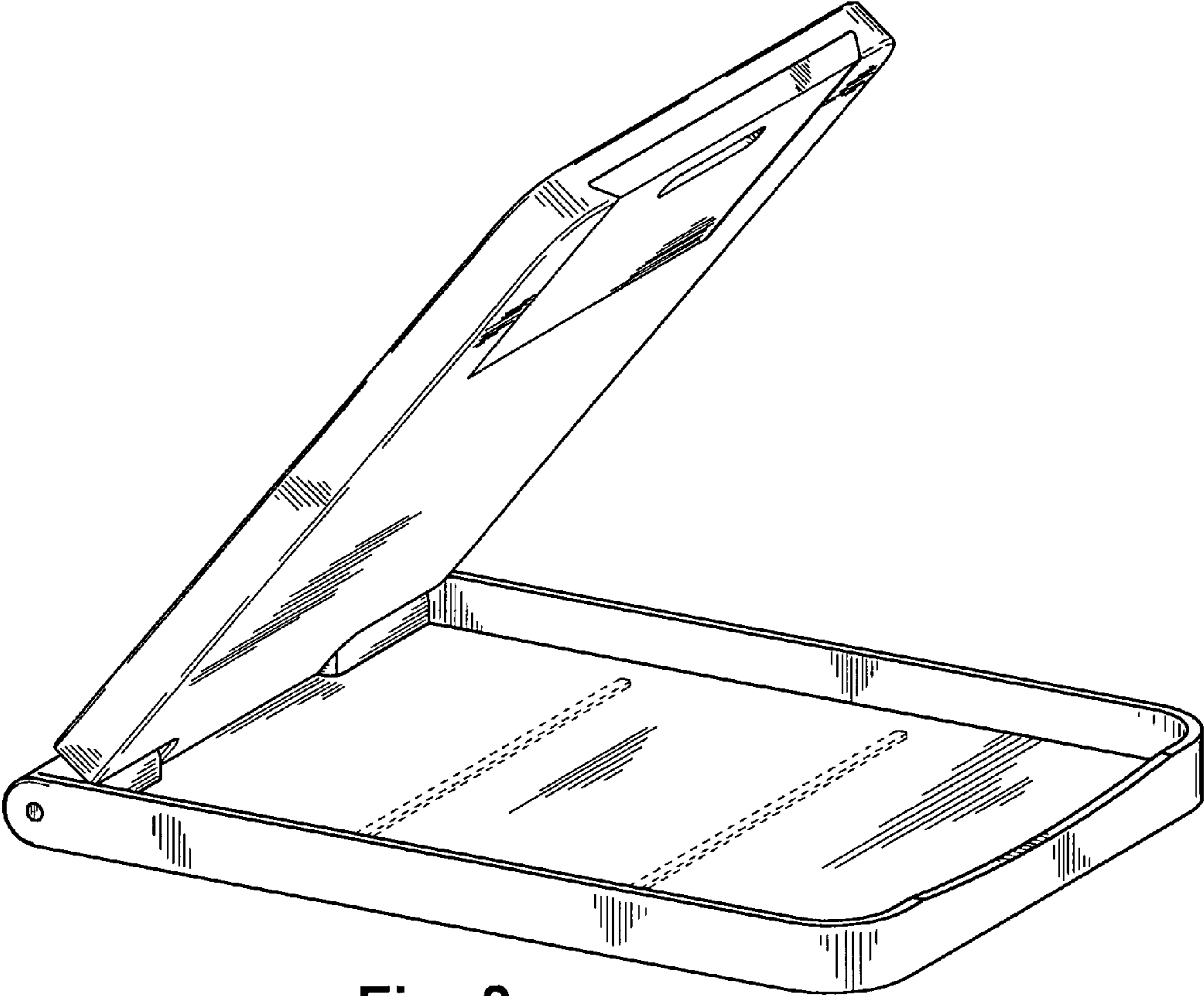


Fig. 8

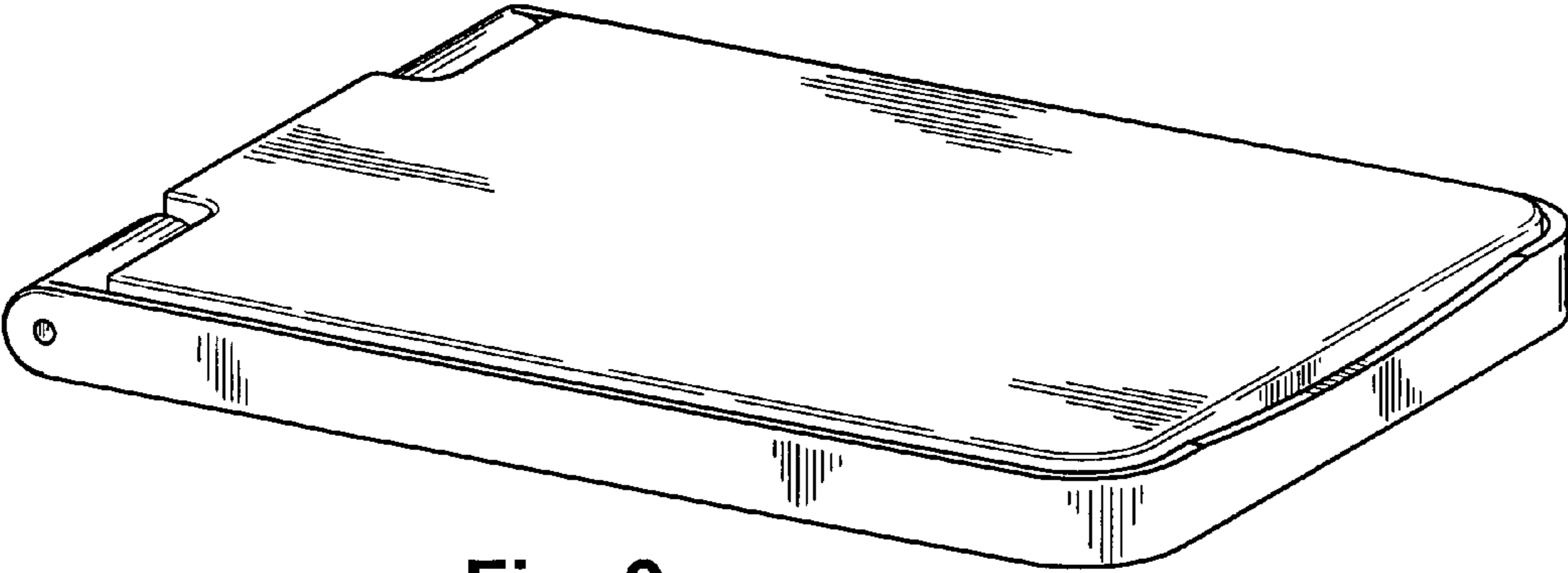


Fig. 9

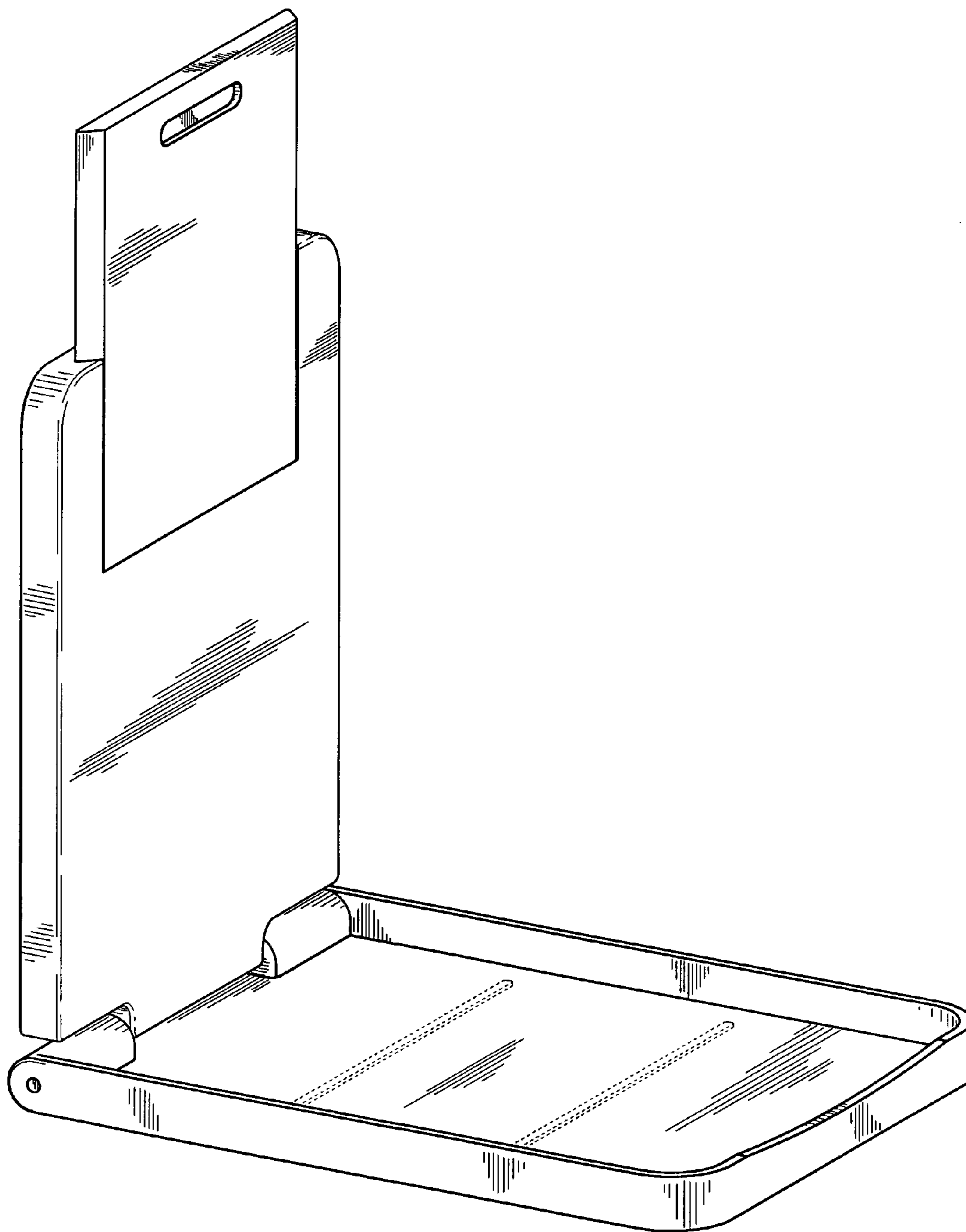


Fig. 10

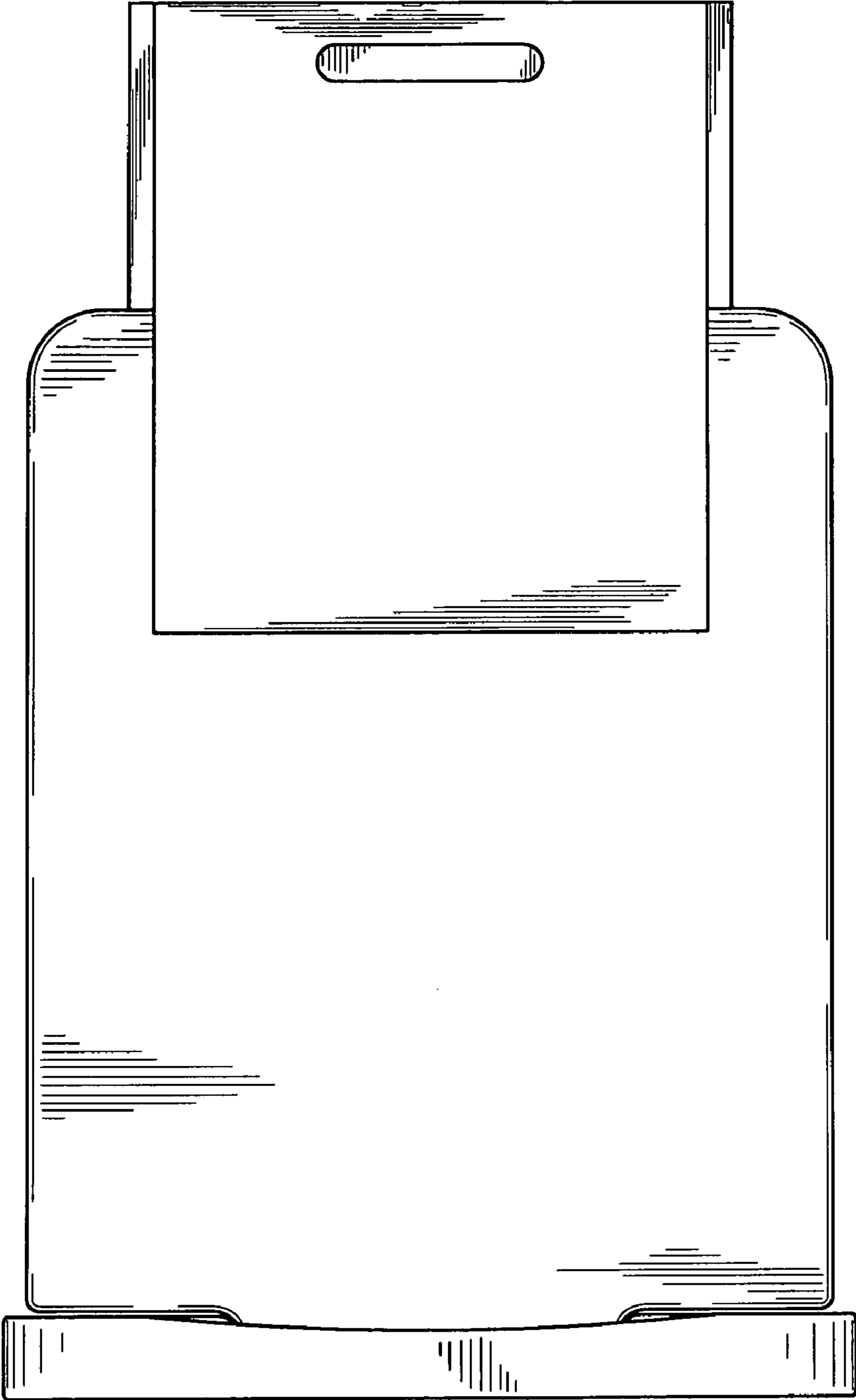


Fig. 11

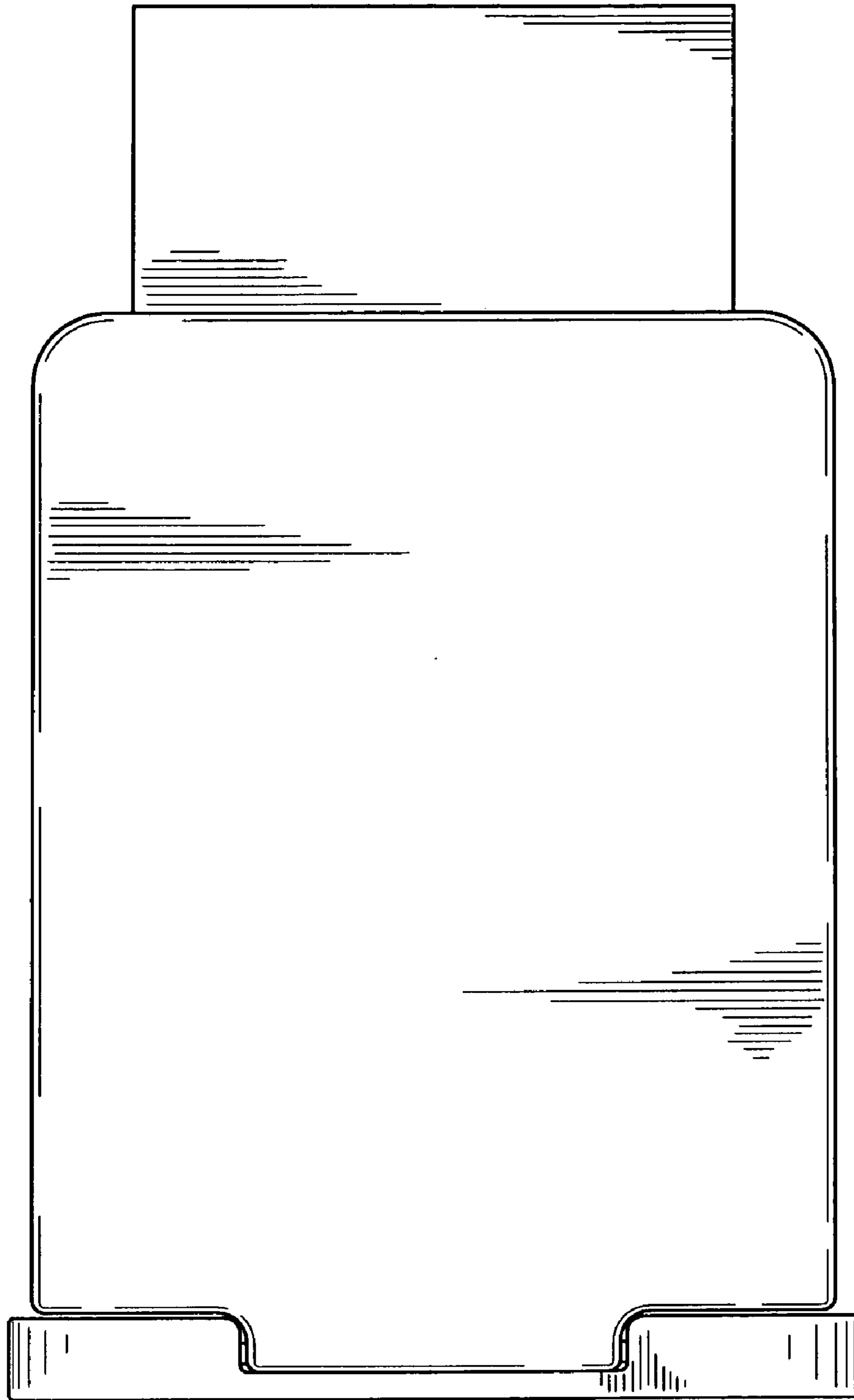


Fig. 12

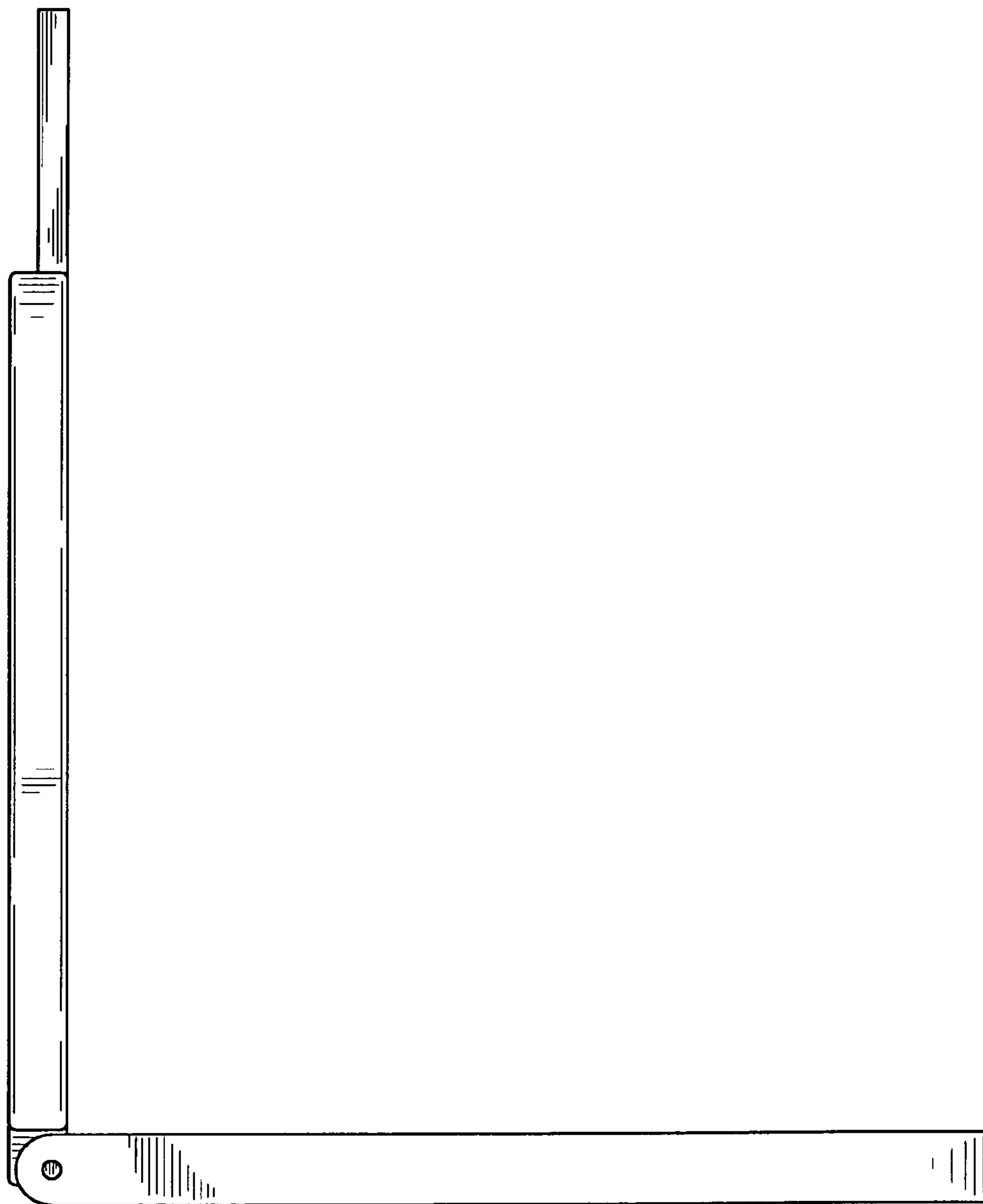


Fig. 13

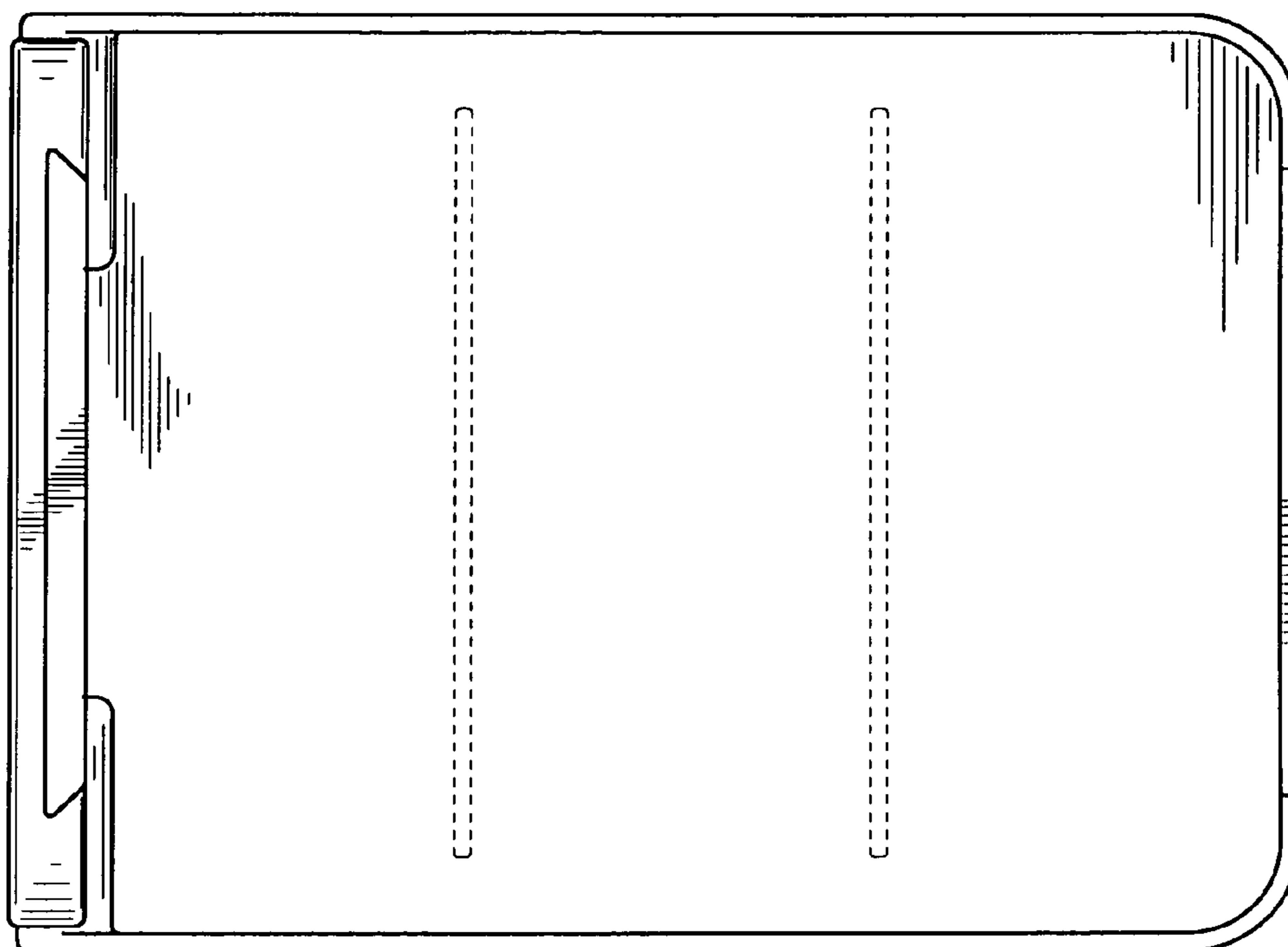


Fig. 14

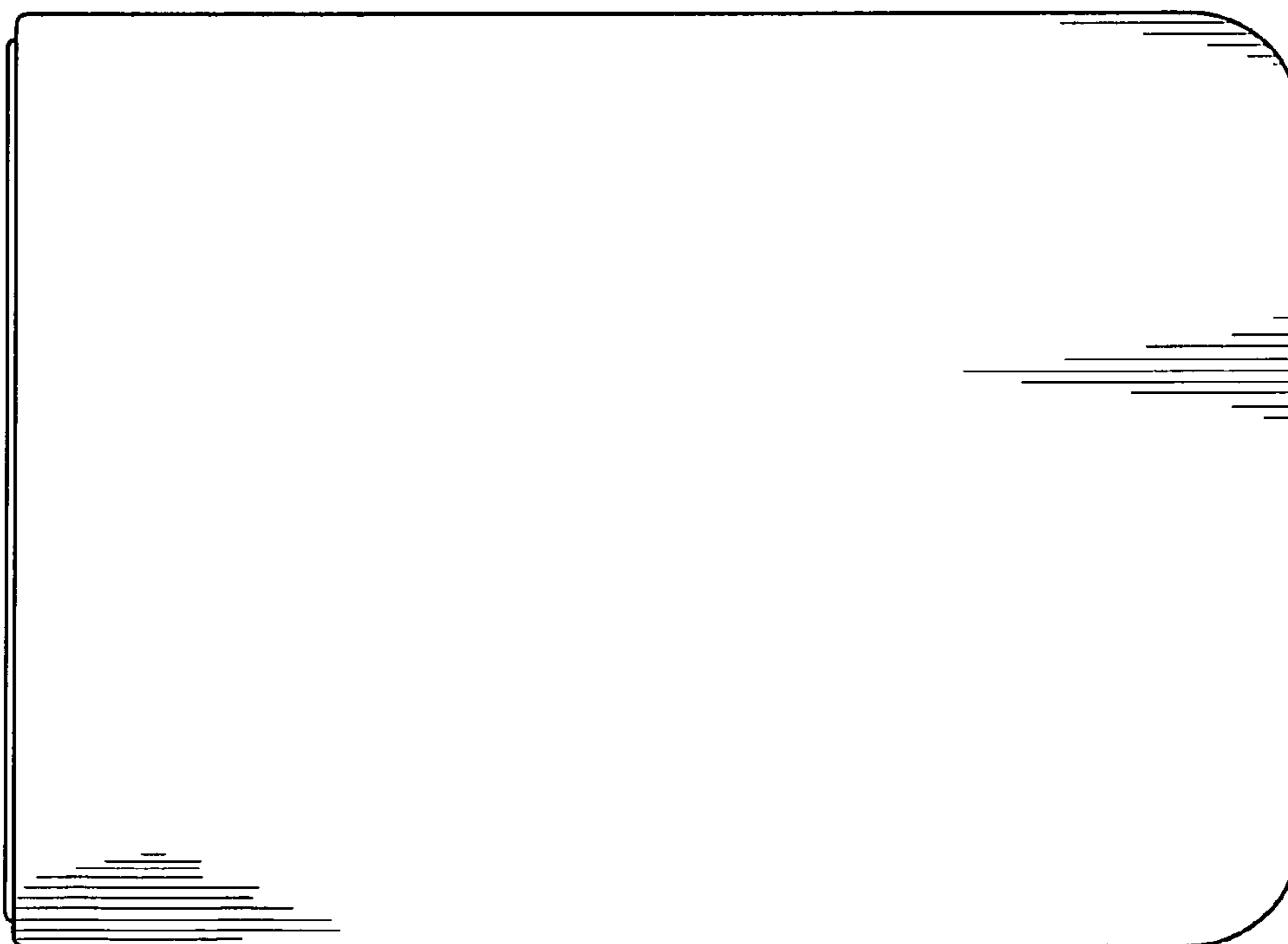


Fig. 15

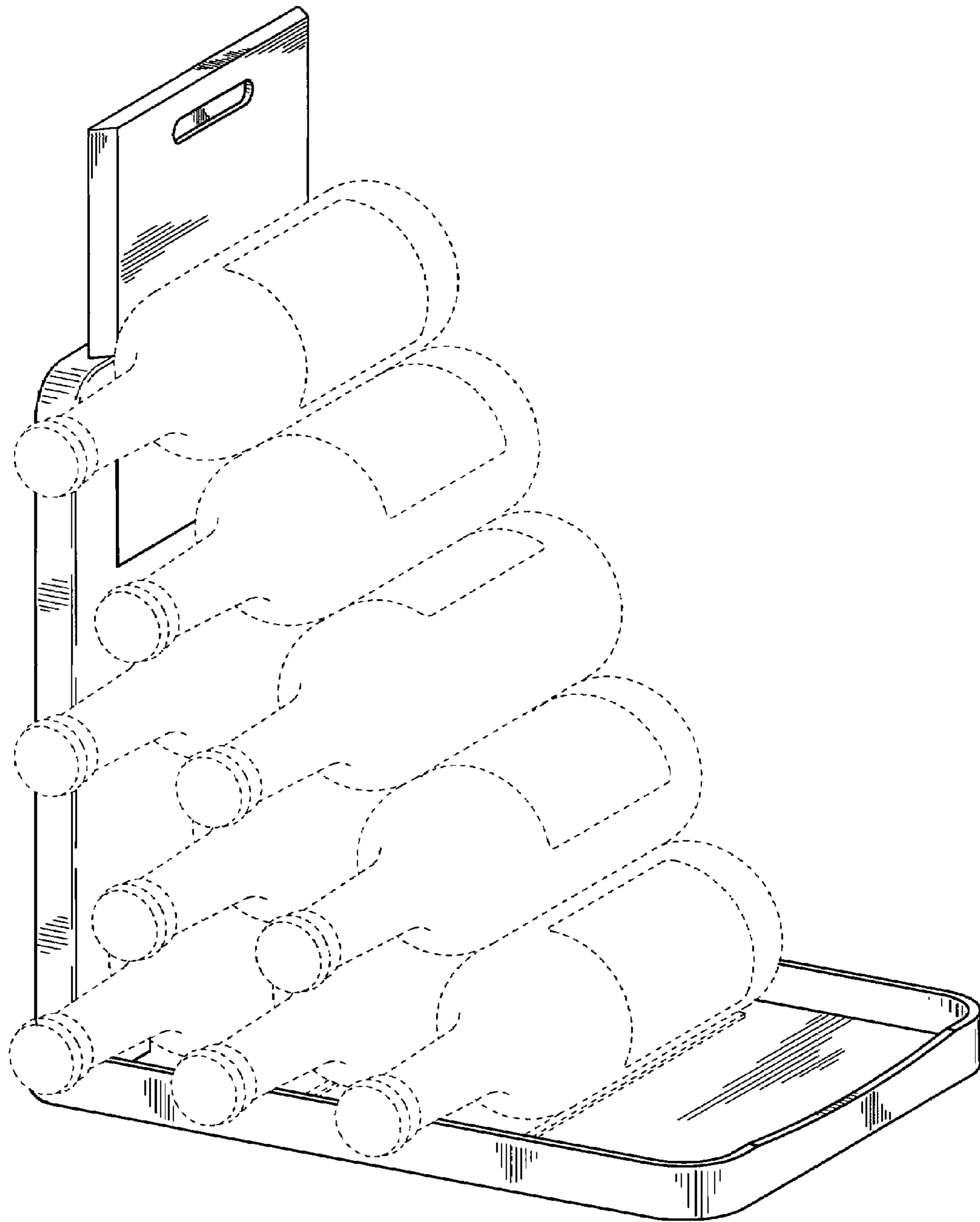


Fig. 16