



US00D611746S

(12) **United States Design Patent**
Fahy et al.

(10) **Patent No.:** **US D611,746 S**
(45) **Date of Patent:** **** Mar. 16, 2010**

(54) **BOTTLE HOLDER**

Primary Examiner—Brian N Vinson

(75) Inventors: **Cathal L. Fahy**, Racine, WI (US); **Dana J. Koppes**, Worthington, OH (US); **Michael A. Lorenz, Jr.**, Gahanna, OH (US)

(57) **CLAIM**

The ornamental design for a bottle holder, as shown and described.

(73) Assignee: **S.C. Johnson & Son, Inc.**, Racine, WI (US)

DESCRIPTION

(**) Term: **14 Years**

FIG. 1 is a top, right, front perspective view of a bottle holder embodying our new design;

(21) Appl. No.: **29/328,781**

FIG. 2 is a front elevational view thereof;

(22) Filed: **Dec. 2, 2008**

FIG. 3 is a right side elevational view thereof, the left side elevational view being a mirror image of the right side shown;

(51) **LOC (9) Cl.** **23-02**

FIG. 4 is a rear elevational view thereof;

(52) **U.S. Cl.** **D6/545**

FIG. 5 is a top plan view thereof; and,

(58) **Field of Classification Search** D6/524,
D6/525, 553, 542-545; 211/13.1, 85.12,
211/71.01, 74, 75; 222/105, 173, 630, 180,
222/181.1, 181.2; 248/311.2, 311.3, 312
See application file for complete search history.

FIG. 6 is a bottom plan view thereof.

The broken line representations of holes in FIGS. 1-6, of a frontal ornamentation in FIGS. 1-3, of a nozzle and associated supporting structure in FIGS. 1-4 and 6, of a receiving structure in FIGS. 1 and 3-5, of a battery receiving area cover in FIGS. 3, 4 and 6, and of supporting ribs in FIGS. 1 and 3-6, are for the purpose of illustration only, and form no part of the claimed design.

(56) **References Cited**

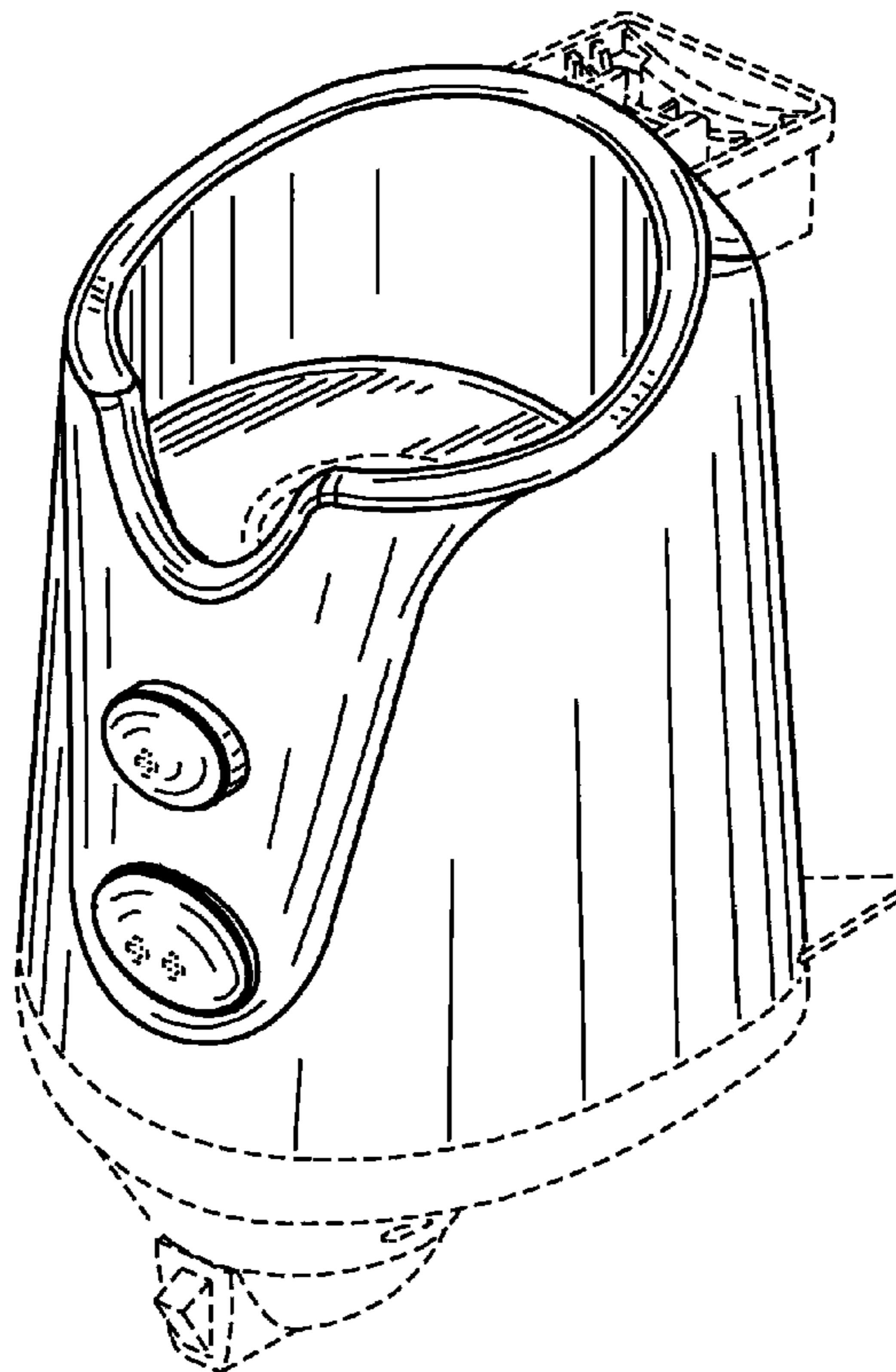
U.S. PATENT DOCUMENTS

D228,994 S	11/1973	Reinecke et al.	
D256,859 S *	9/1980	Hauser et al.	D6/545
D458,499 S *	6/2002	Cone et al.	D6/553
D477,956 S *	8/2003	Gridale et al.	D6/553
D499,295 S *	12/2004	Gridale et al.	D6/553

In a preferred embodiment the nature of this product is a holder for a bottle suitable to be mounted in a bathing area. In a most preferred form the holder also dispenses fluid from the bottle in an automated fashion.

* cited by examiner

1 Claim, 4 Drawing Sheets



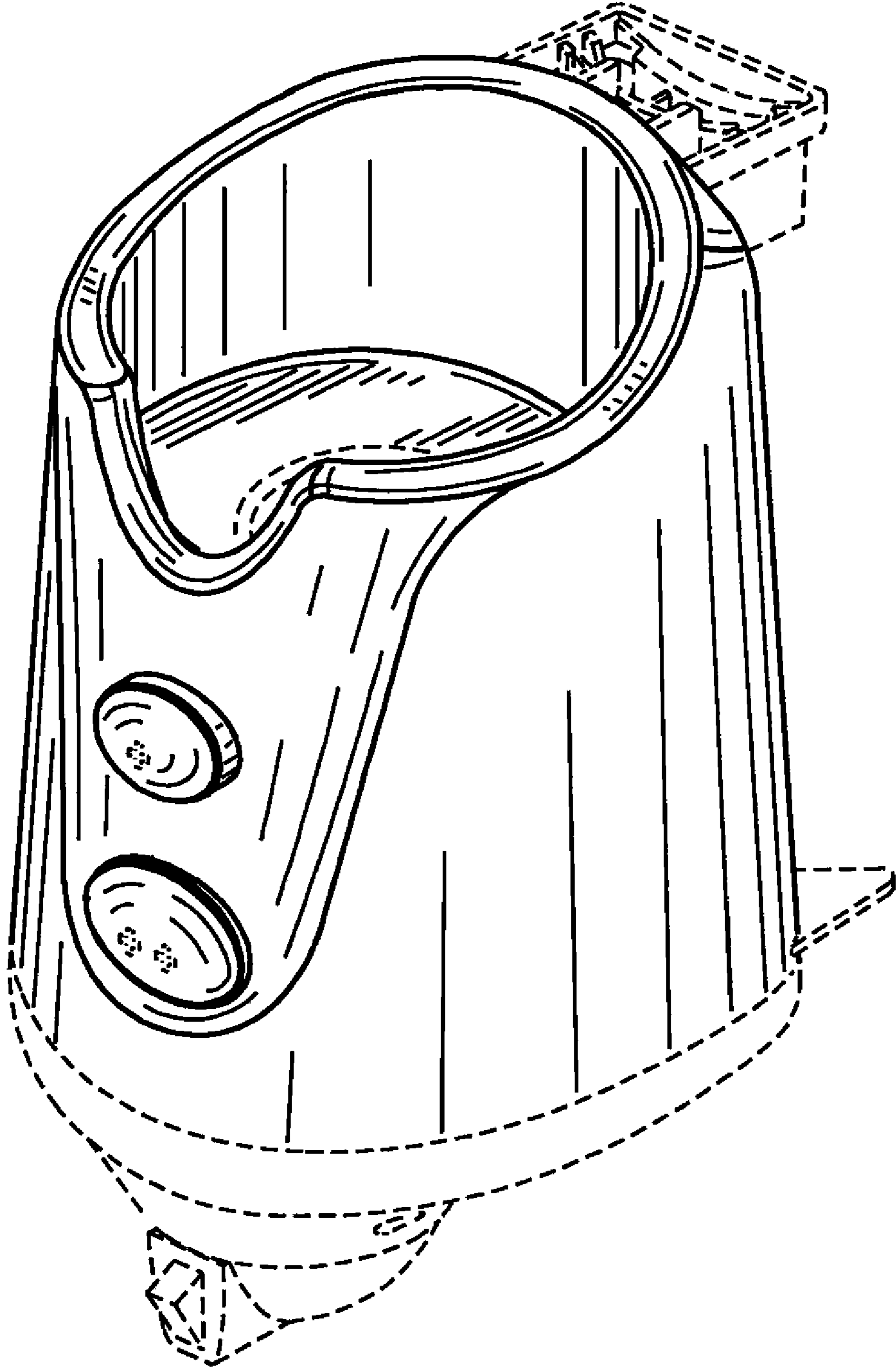


FIG. 1

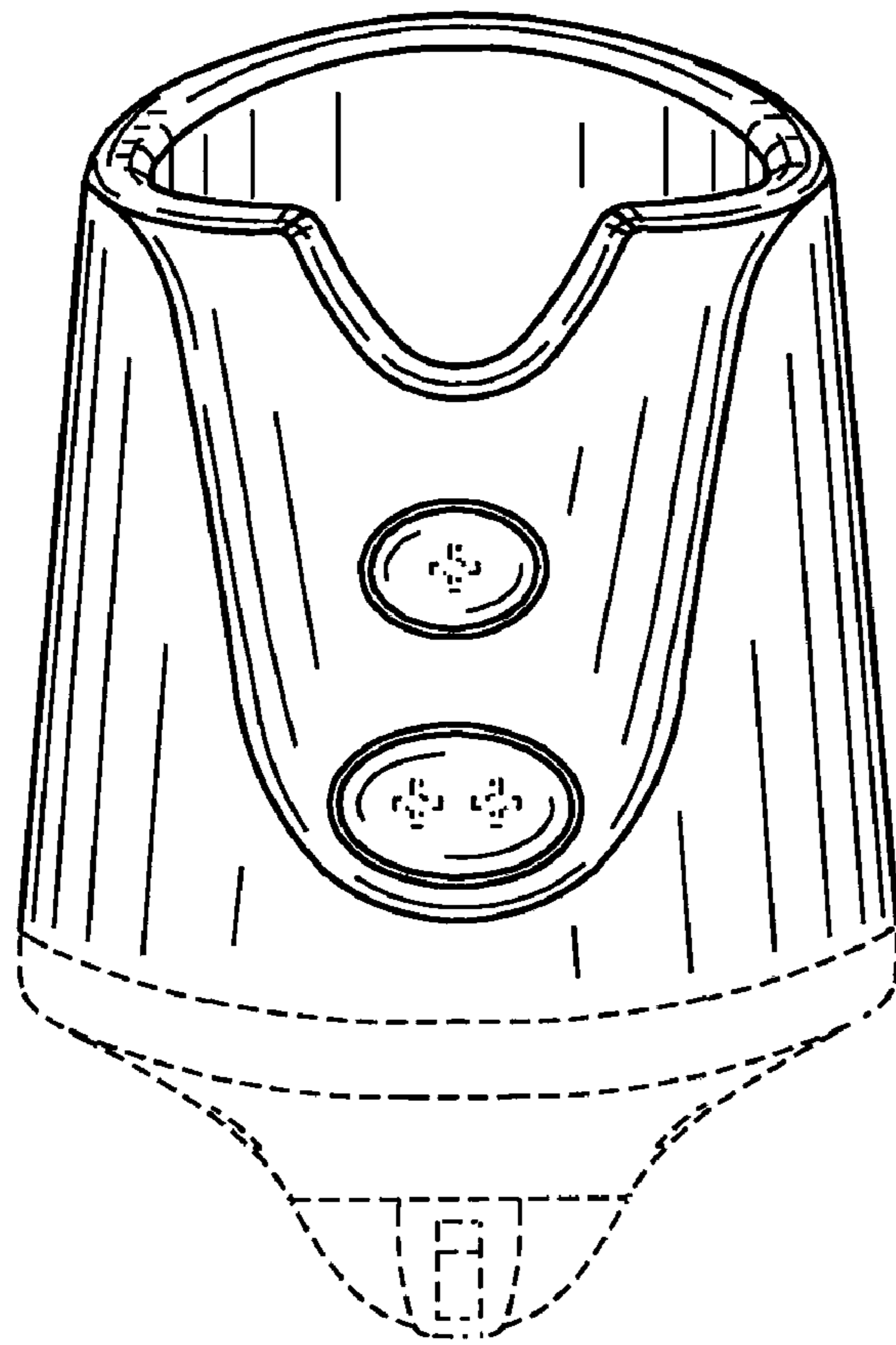


FIG. 2

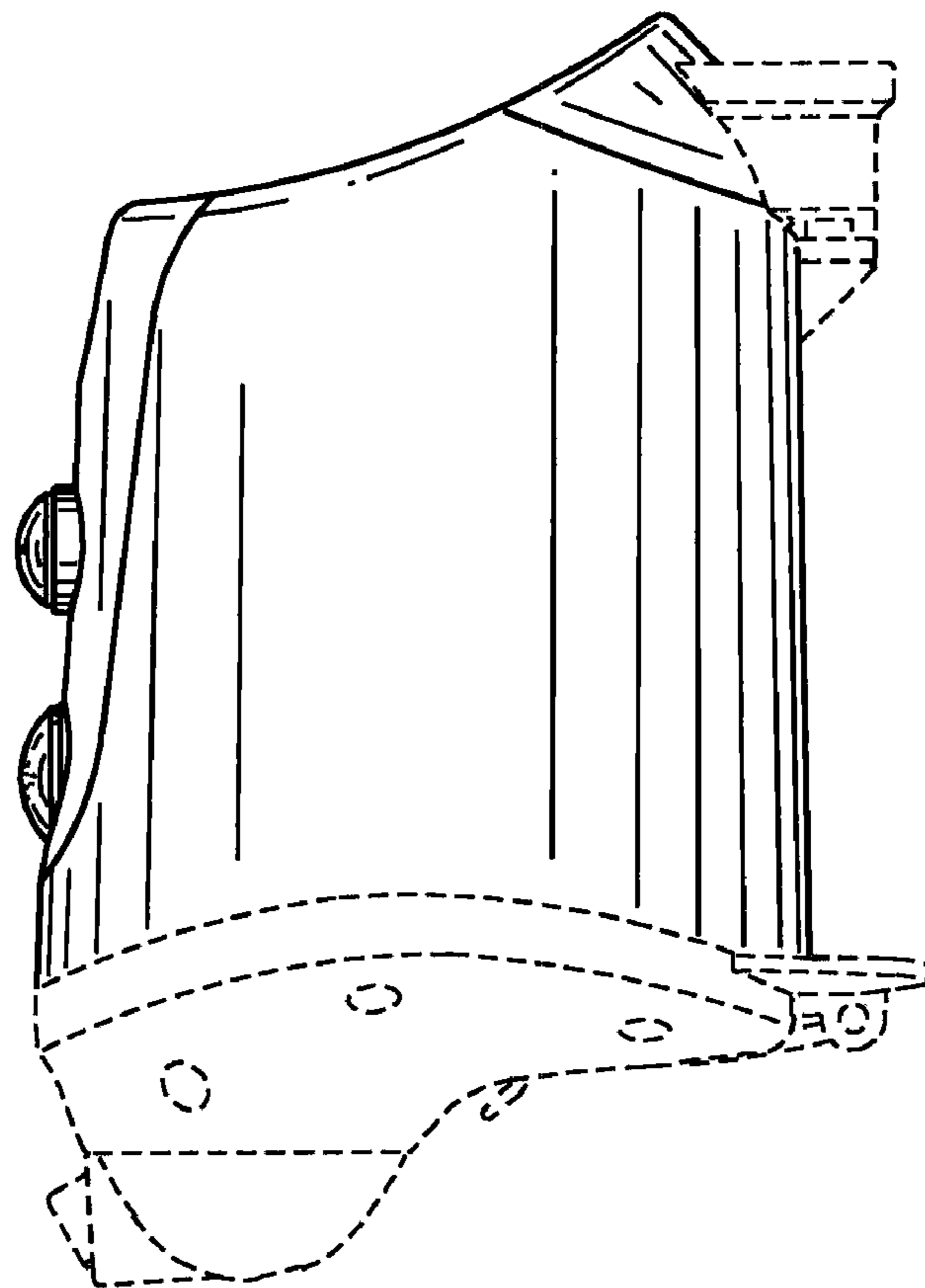


FIG. 3

FIG. 4

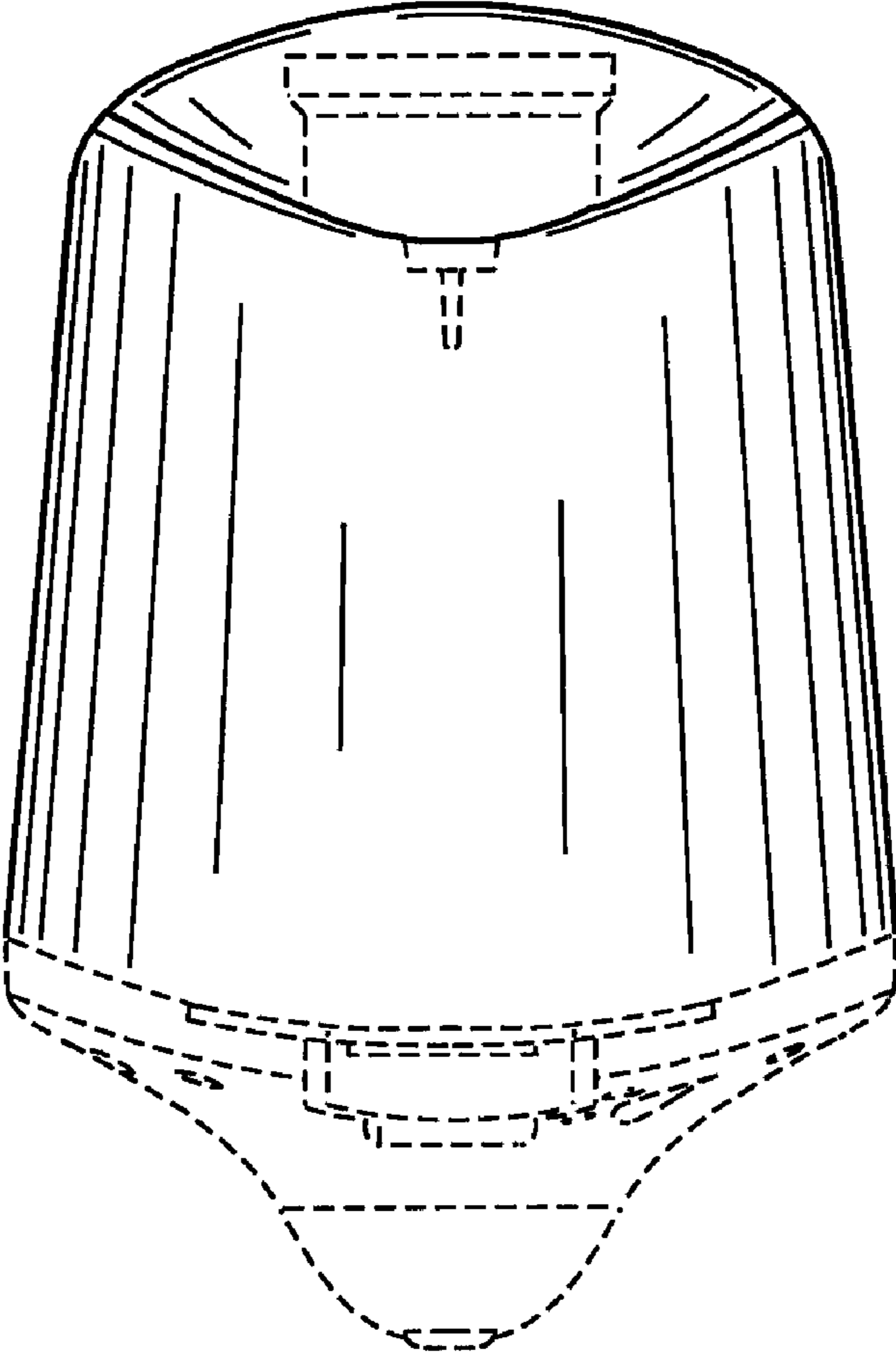
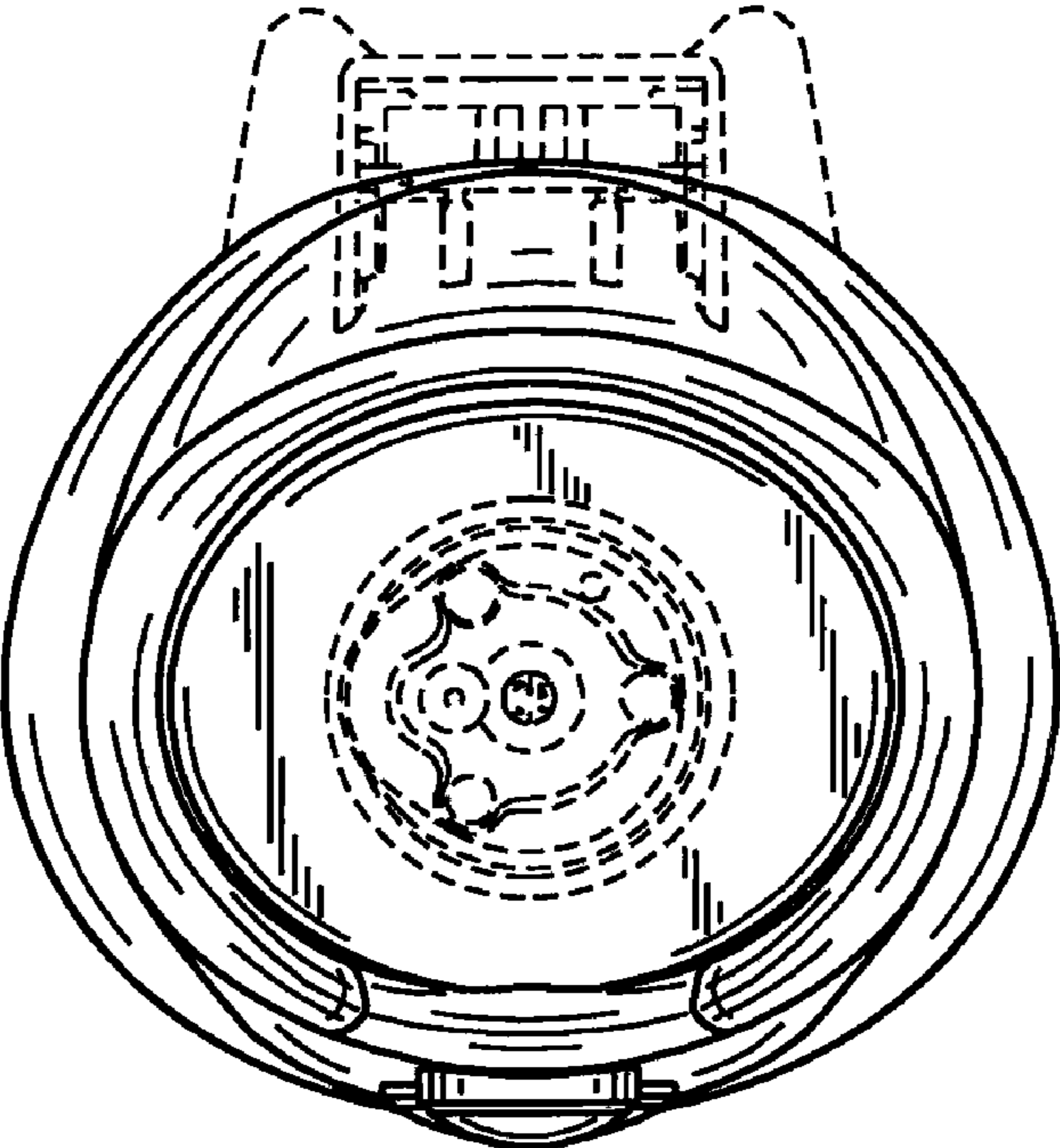


FIG. 5



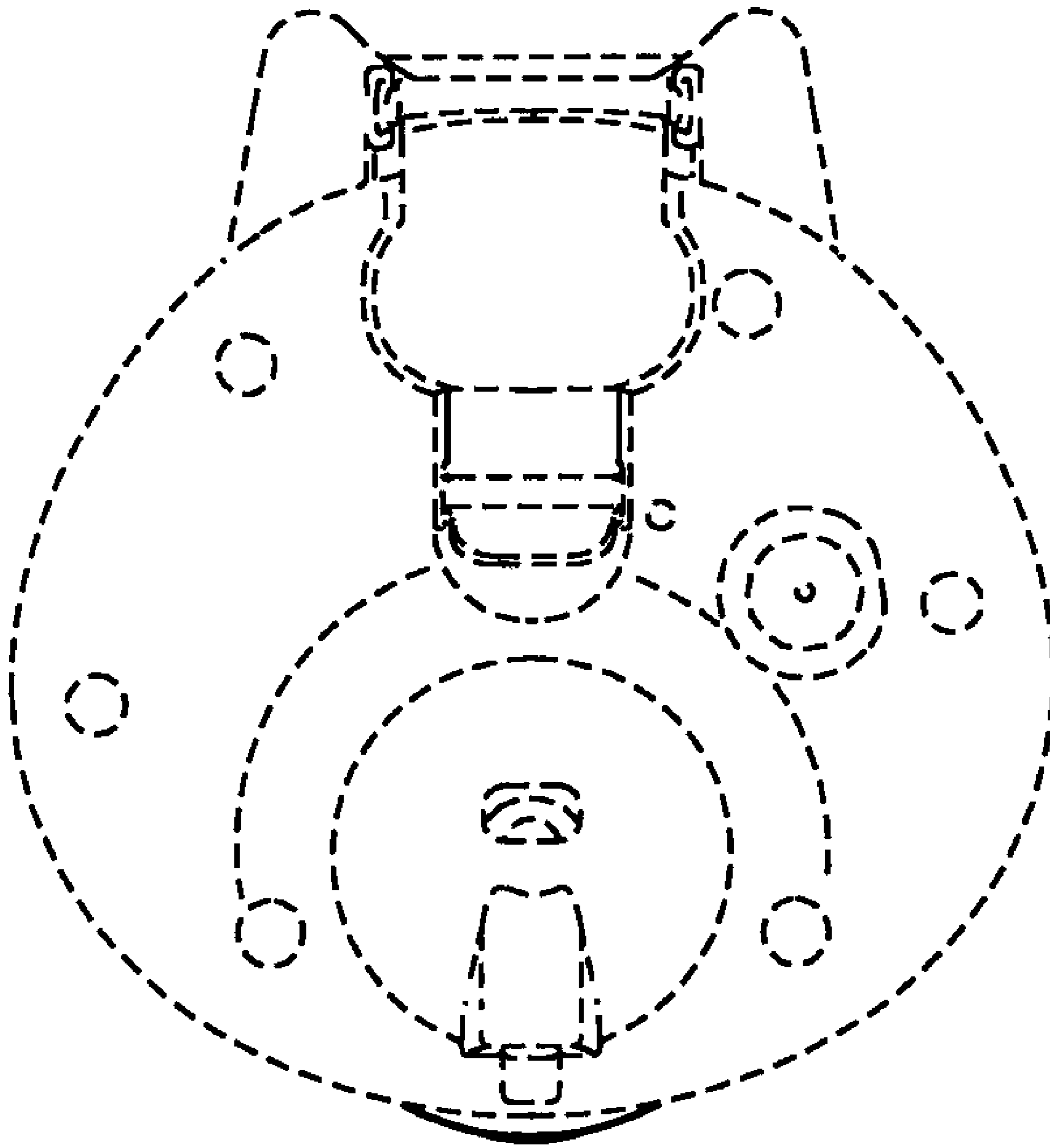


FIG. 6