



US00D611745S

(12) **United States Design Patent**
Smith et al.

(10) **Patent No.:** **US D611,745 S**
(45) **Date of Patent:** **** Mar. 16, 2010**

(54) **AMENITY TRAY CADDY**

D571,136 S * 6/2008 Kramer D6/525
D598,688 S * 8/2009 Yang et al. D6/525

(75) Inventors: **Scott A. Smith**, Mason, OH (US);
Patrick J. Bertke, Dayton, OH (US);
Michael D. McClurg, Jr., Minster, OH
(US)

* cited by examiner

Primary Examiner—Brian N Vinson
(74) *Attorney, Agent, or Firm*—Cowan, Liebowitz & Latman,
PC

(73) Assignee: **Six Continents Hotels, Inc.**, Atlanta,
GA (US)

(**) Term: **14 Years**

(57) **CLAIM**

(21) Appl. No.: **29/334,888**

The ornamental design for an amenity tray caddy, as shown
and described.

(22) Filed: **Apr. 3, 2009**

DESCRIPTION

(51) **LOC (9) Cl.** **23-02**

FIG. 1 is a perspective view of an amenity tray caddy showing
our new design;

(52) **U.S. Cl.** **D6/525**

FIG. 2 is a top plan view thereof;

(58) **Field of Classification Search** D6/524,
D6/525; D7/500, 505, 555, 601, 701, 637;
D11/131, 143, 146, 152; D28/73; 47/41.1,
47/65.5, 66.1, 66.6, 66.7, 69; 211/13.1, 69.1,
211/62, 70.6, 70.7

FIG. 3 is a front elevational view thereof;

FIG. 4 is a right side elevational view thereof;

FIG. 5 is a left side elevational view thereof;

FIG. 6 is a rear elevational view thereof; and,

FIG. 7 is a bottom plan view thereof.

See application file for complete search history.

The broken-line disclosure in the views is understood to
represent a portion of the article in which the claimed design
is embodied, but which forms no part of the claimed design.

(56) **References Cited**

U.S. PATENT DOCUMENTS

D383,344 S * 9/1997 Andrus D6/525
D447,900 S * 9/2001 Wright D6/525
D545,601 S * 7/2007 Yang et al. D6/525

1 Claim, 3 Drawing Sheets

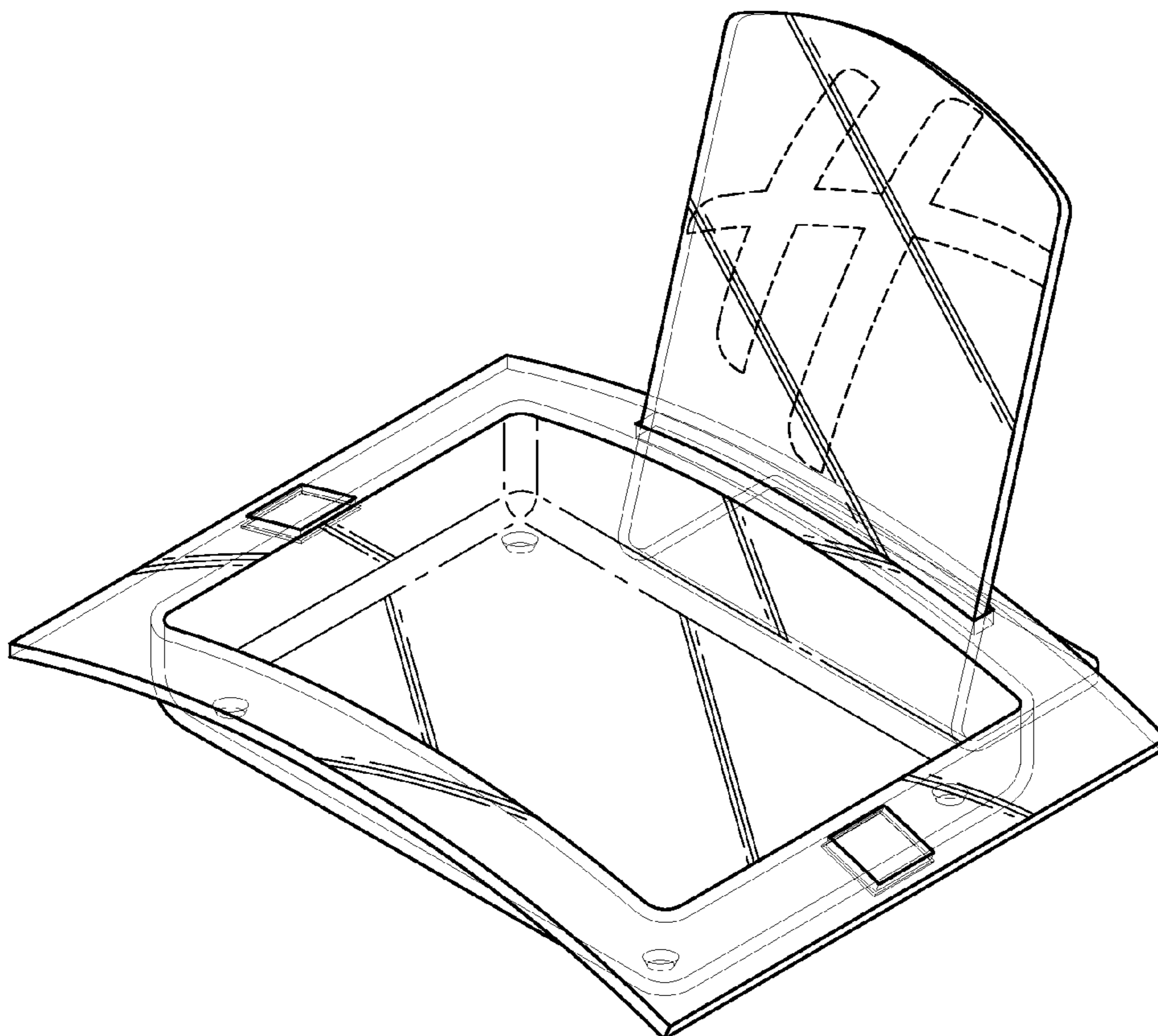


FIG. 1

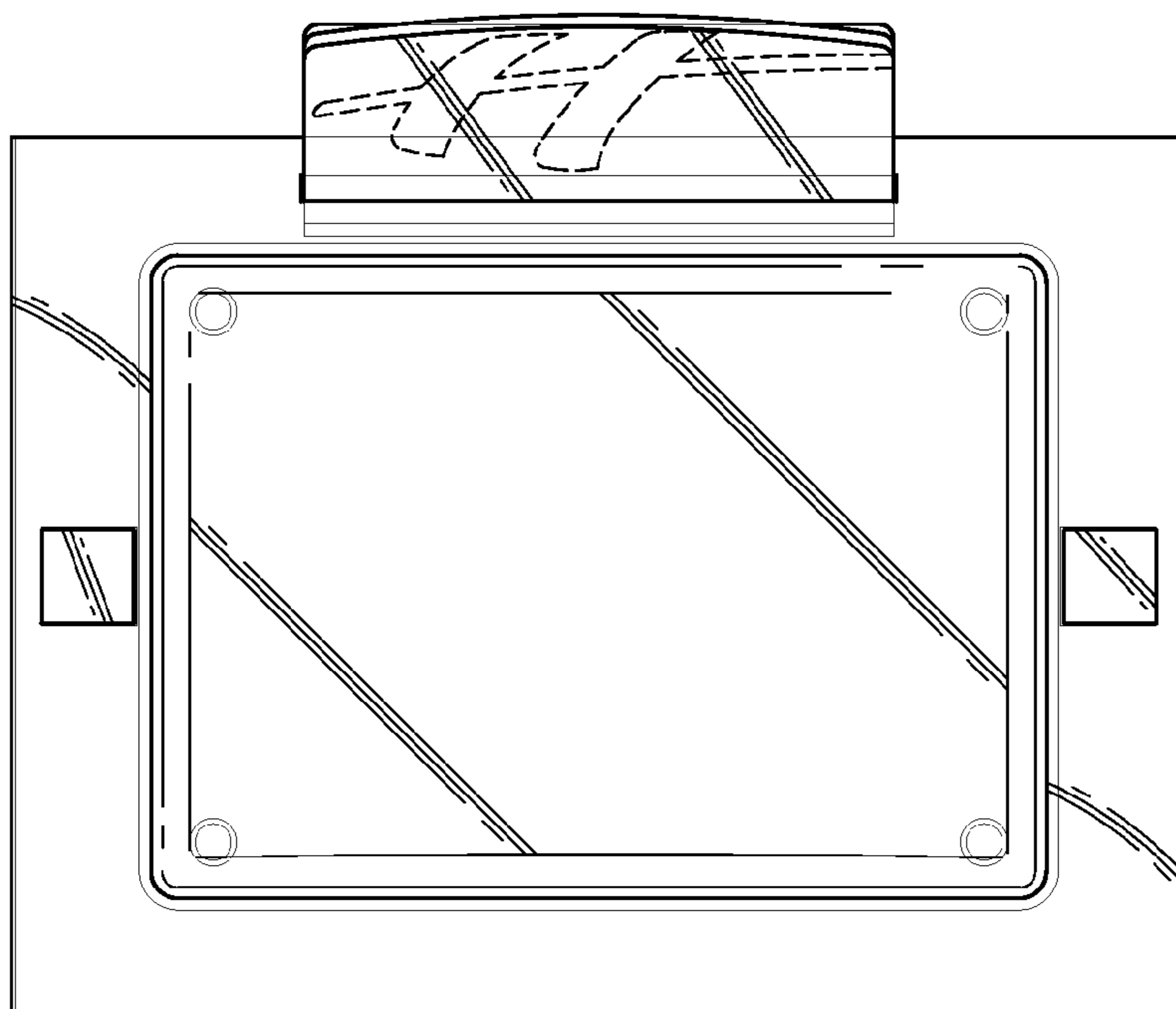
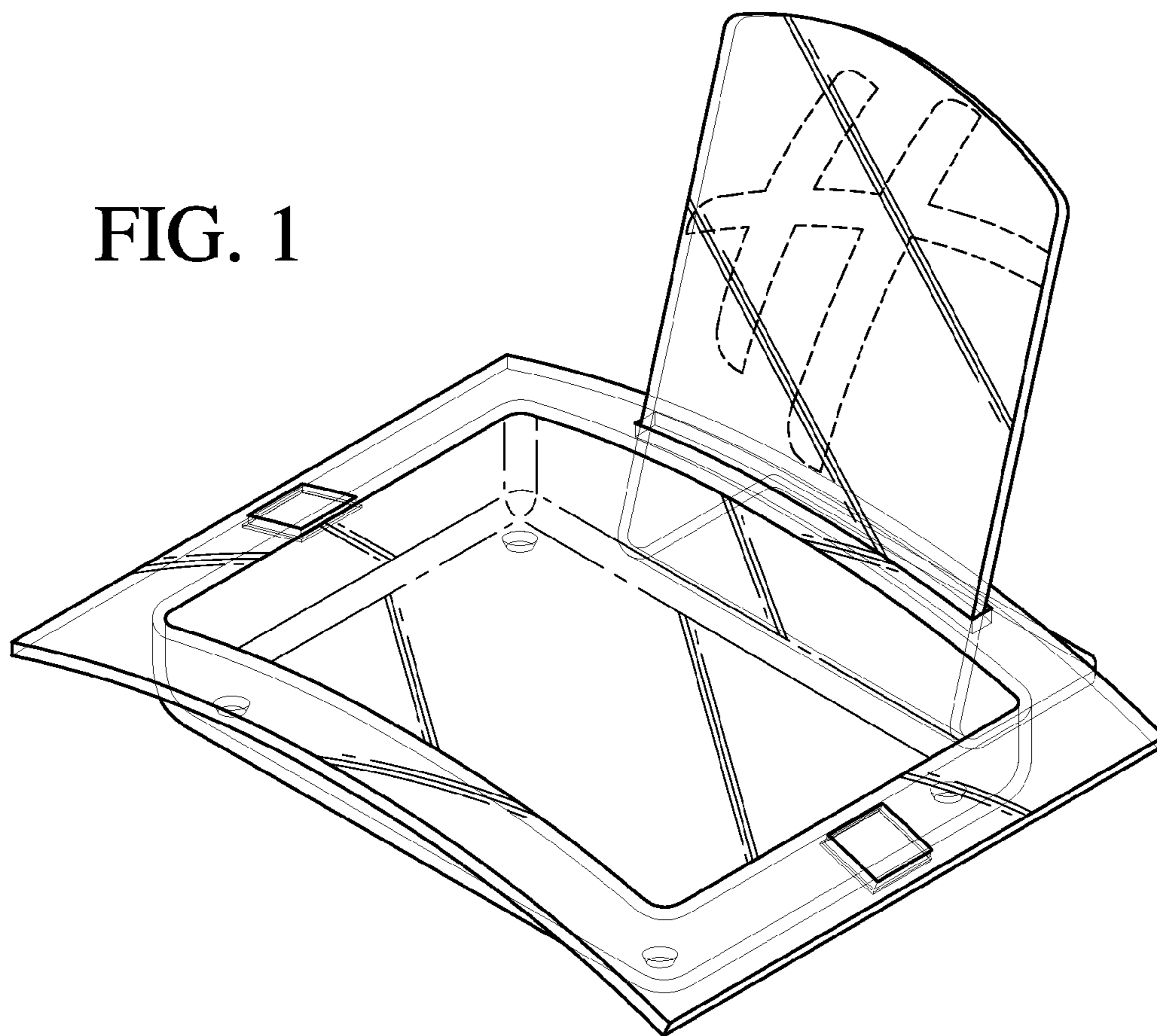


FIG. 2

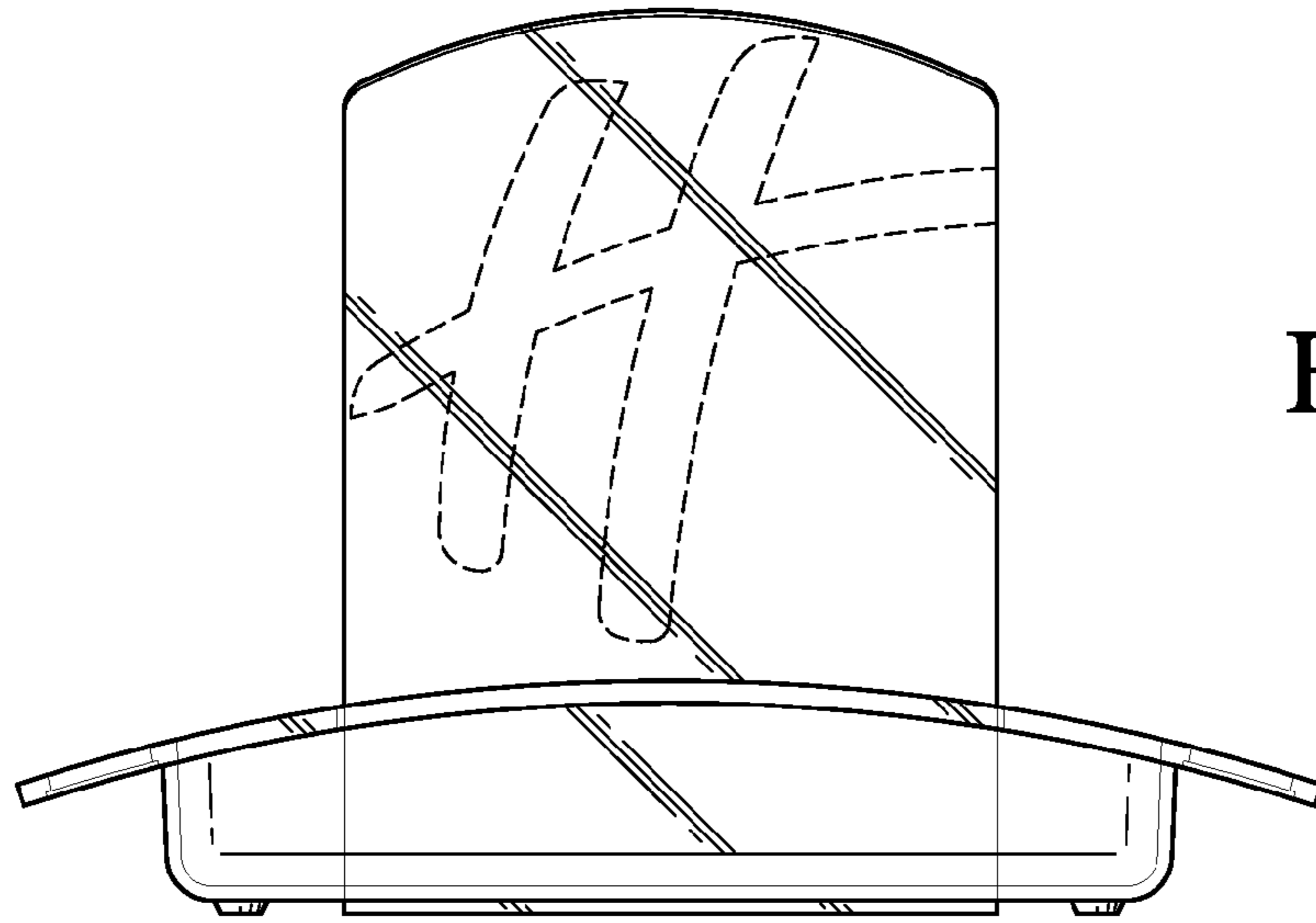


FIG. 3

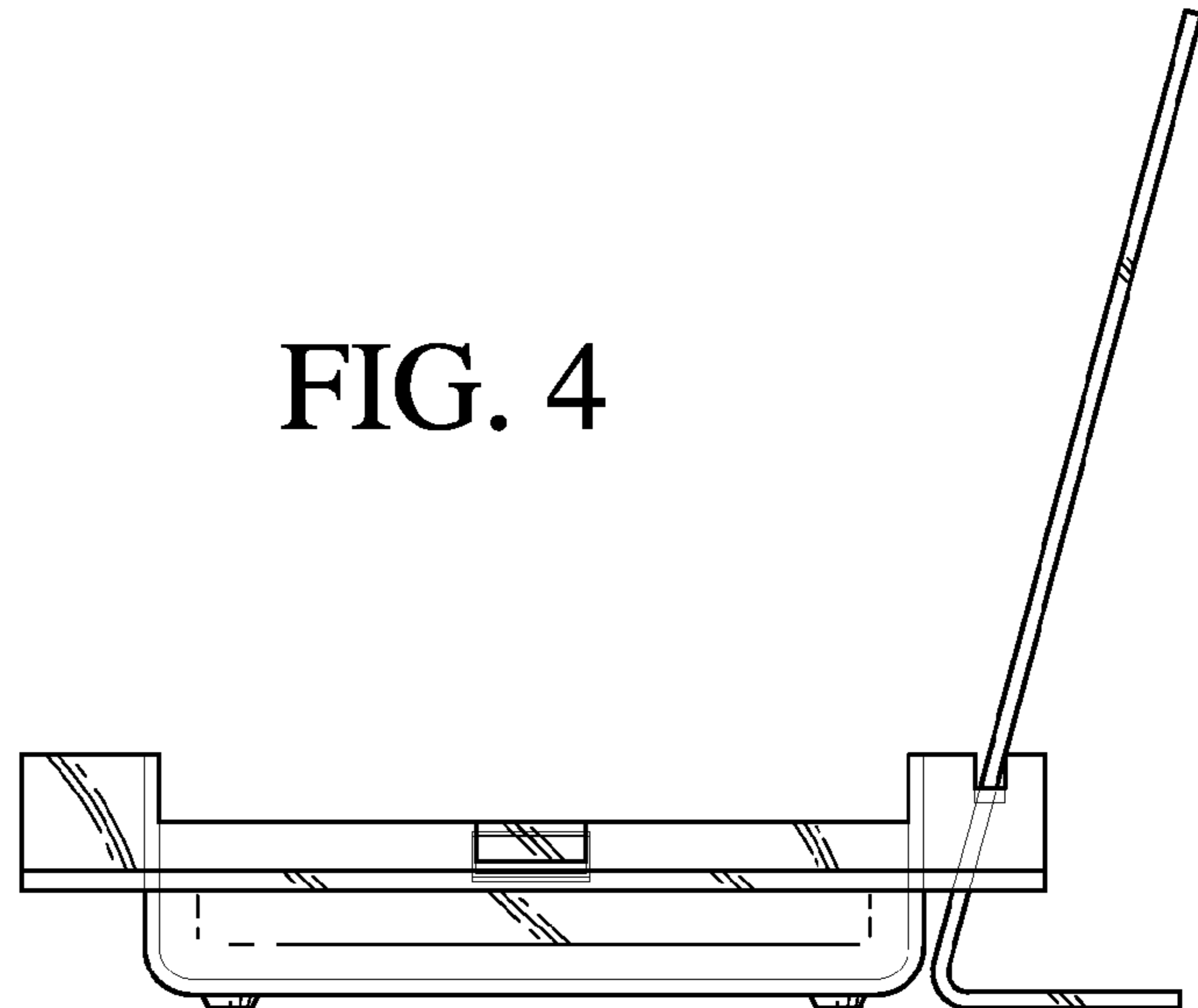


FIG. 4

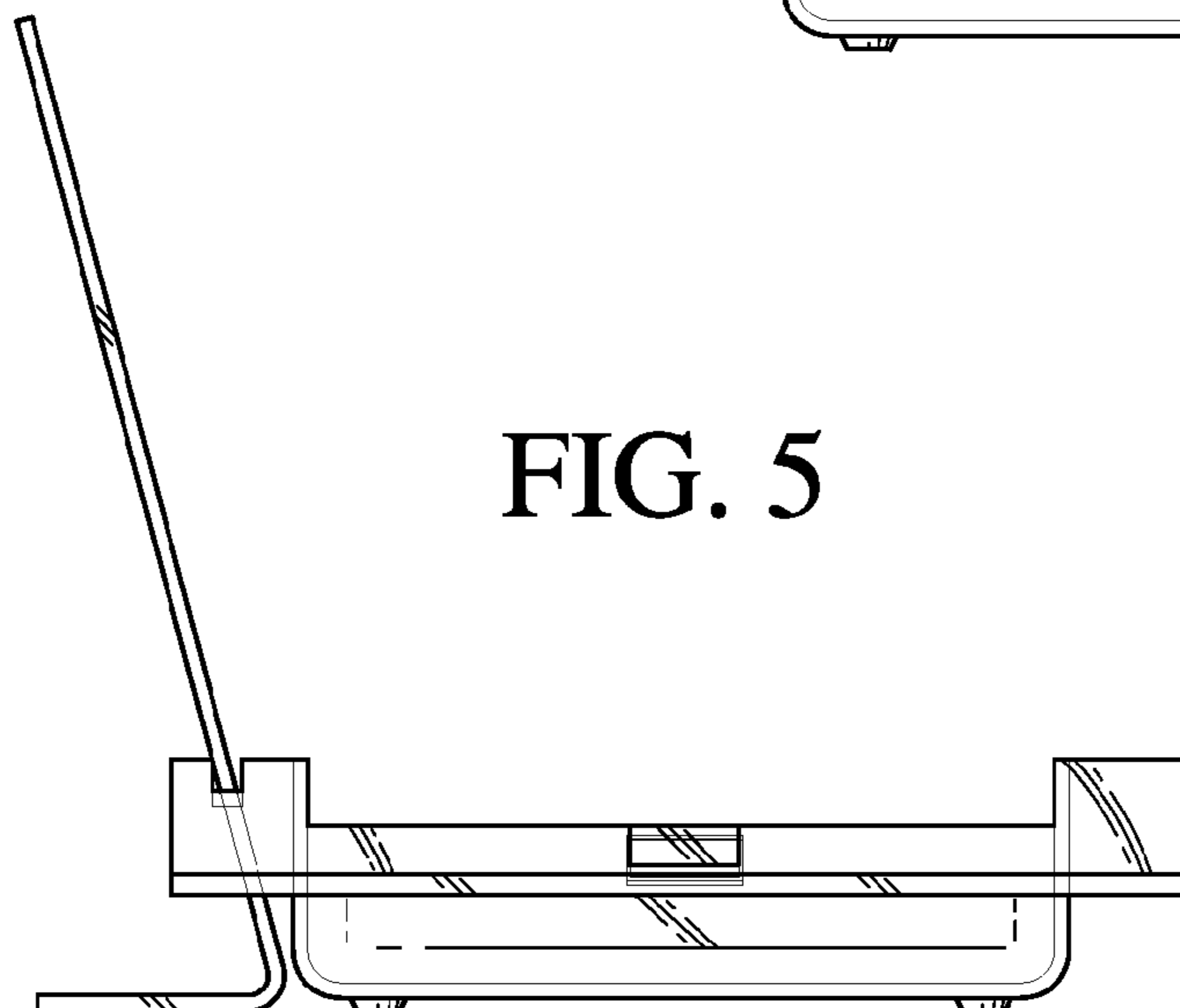


FIG. 5

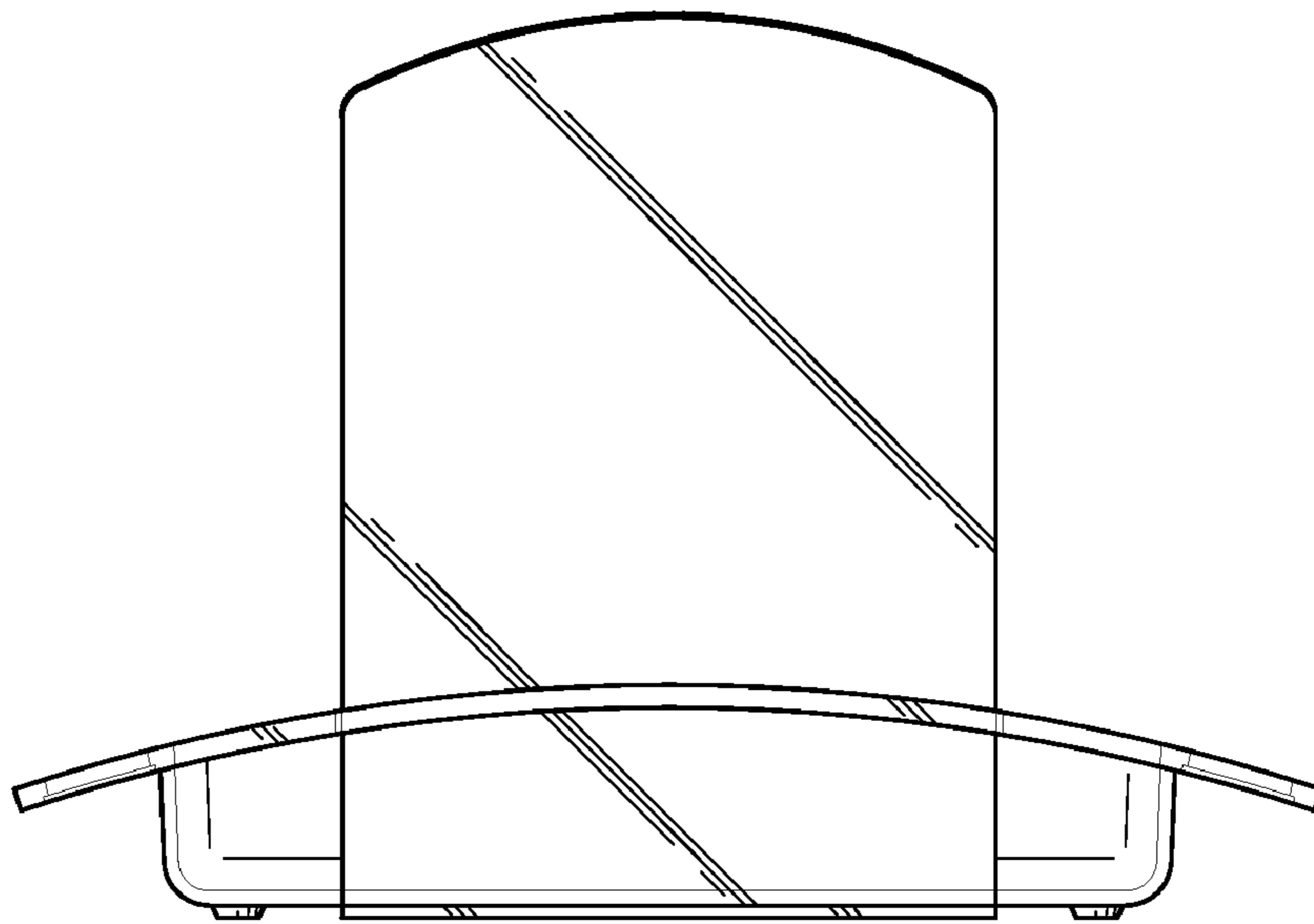


FIG. 6

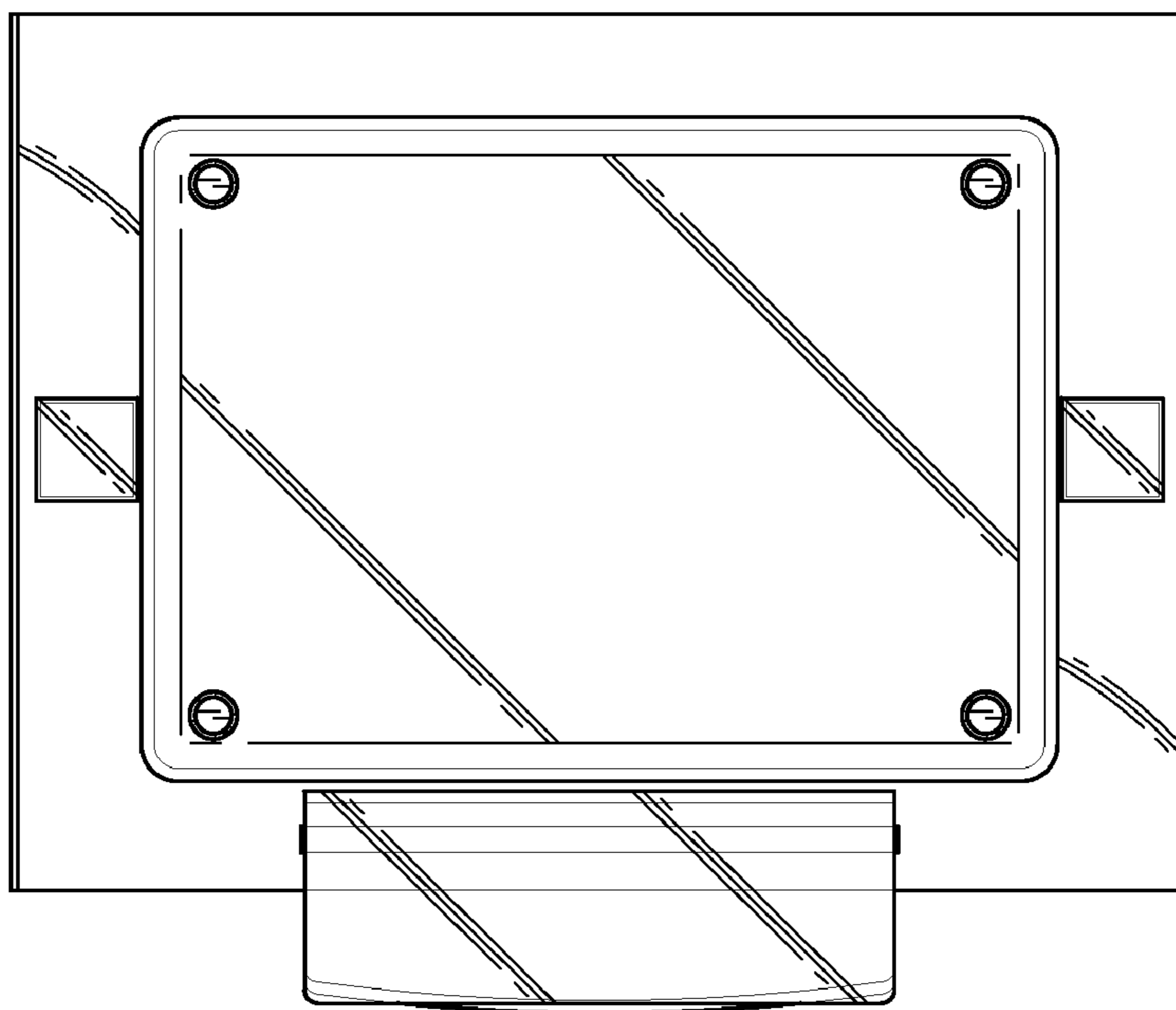


FIG. 7