



US00D611743S

(12) **United States Design Patent**
Mitten et al.

(10) **Patent No.:** **US D611,743 S**
(45) **Date of Patent:** **** Mar. 16, 2010**

(54) **TRACK FOR DISPLAY SHELVING**
(75) Inventors: **J. Patrick Mitten**, Barrington, IL (US);
Eric G. Larsen, Itasca, IL (US)
(73) Assignee: **B-O-F Corporation**, Aurora, IL (US)
(**) Term: **14 Years**
(21) Appl. No.: **29/324,968**
(22) Filed: **Sep. 24, 2008**
(51) **LOC (9) Cl.** **06-04**
(52) **U.S. Cl.** **D6/511**
(58) **Field of Classification Search** D6/511,
D6/408, 467-469, 473-479; 108/59, 91-93,
108/106, 147.12, 147.13; 211/13.1, 85.4,
211/74, 49.1, 90.1, 183, 187-188; 206/562-564
See application file for complete search history.

5,346,078 A * 9/1994 Ernetoft 211/90.01
5,417,333 A 5/1995 Flum
5,614,288 A 3/1997 Bustos
5,624,042 A 4/1997 Flum et al.
5,634,564 A 6/1997 Spamer et al.
5,645,176 A 7/1997 Jay
5,720,396 A 2/1998 Wegscheid et al.
D395,369 S * 6/1998 Whittington D6/511
5,839,588 A 11/1998 Hawkinson
5,904,256 A 5/1999 Jay
5,938,048 A 8/1999 Carroll et al.
5,984,117 A 11/1999 Smith
6,092,684 A 7/2000 Sato
D431,403 S * 10/2000 Ford D6/511
D454,749 S * 3/2002 Georgiadis et al. D6/629
D459,925 S * 7/2002 Gawel D6/511

(Continued)

Primary Examiner—Brian N Vinson
(74) *Attorney, Agent, or Firm*—Marshall, Gerstein & Borun
LLP

(56) **References Cited**

U.S. PATENT DOCUMENTS

1,627,084 A 5/1927 Fritz
2,138,418 A 11/1938 Fahrne
2,174,715 A 10/1939 Baker
2,317,645 A 4/1943 Ryan
2,623,641 A 12/1952 Shield
2,652,154 A 9/1953 Stevens
2,723,484 A 11/1955 Nelson, Jr.
3,198,340 A 8/1965 Tokash
3,635,350 A 1/1972 Wolf
4,006,824 A 2/1977 Snediker et al.
4,314,648 A 2/1982 Spamer
4,565,725 A 1/1986 Spamer et al.
4,613,047 A 9/1986 Bushyhead et al.
4,684,030 A 8/1987 Gurzynski
4,685,574 A 8/1987 Young et al.
4,785,945 A 11/1988 Rowse et al.
4,815,611 A 3/1989 Gurzynski et al.
4,938,366 A 7/1990 Carroll
5,009,335 A 4/1991 Jonker
5,050,748 A 9/1991 Taub
5,054,623 A 10/1991 Evenson
5,097,969 A * 3/1992 Maxworthy 211/90.01
5,160,051 A 11/1992 Bustos

(57) **CLAIM**

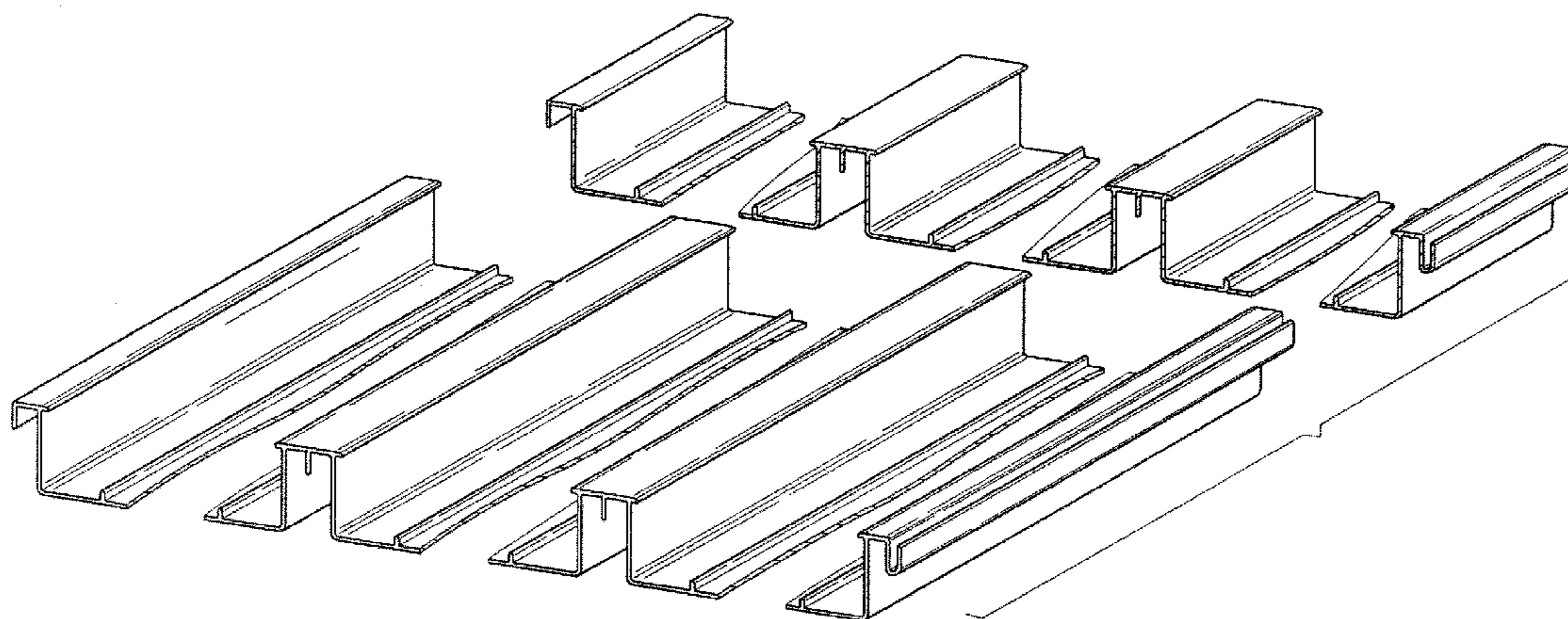
The ornamental design for a track for display shelving, as shown and described.

DESCRIPTION

FIG. 1 is a perspective view of a track for display shelving showing our new design;
FIG. 2 is a front view thereof, the rear view being a mirror image of the front view;
FIG. 3 is a side view thereof;
FIG. 4 is another side view thereof;
FIG. 5 is a top view thereof; and,
FIG. 6 is a bottom view thereof.

Where the figures show the article broken away, they are understood to indicate unclaimed length or width.

1 Claim, 3 Drawing Sheets



US D611,743 S

Page 2

U.S. PATENT DOCUMENTS

6,412,648	B1	7/2002	Woolnough et al.						
6,497,185	B1	12/2002	Barrett et al.						
6,530,485	B1	3/2003	Weber						
D476,514	S *	7/2003	Chesser et al.	D6/511				
6,648,154	B2 *	11/2003	Awalt	211/85.4				
6,659,293	B1	12/2003	Smith						
6,688,478	B2	2/2004	Miller, Jr. et al.						
6,691,891	B2	2/2004	Maldonado						
6,705,472	B2	3/2004	Cross et al.						
						D494,394	S *	8/2004	Leong-Son et al. D6/511
						D498,620	S *	11/2004	Christopher et al. D6/511
						D519,279	S	4/2006	Krebs et al.
						D541,563	S *	5/2007	LaBonia et al. D6/511
						D545,092	S	6/2007	Knorring, Jr. et al.
						2002/0033373	A1	3/2002	Robertson
						2002/0060196	A1	5/2002	Cross et al.
						2003/0061973	A1	4/2003	Bustos
						2003/0146177	A1	8/2003	Miller, Jr. et al.

* cited by examiner

FIG. 1

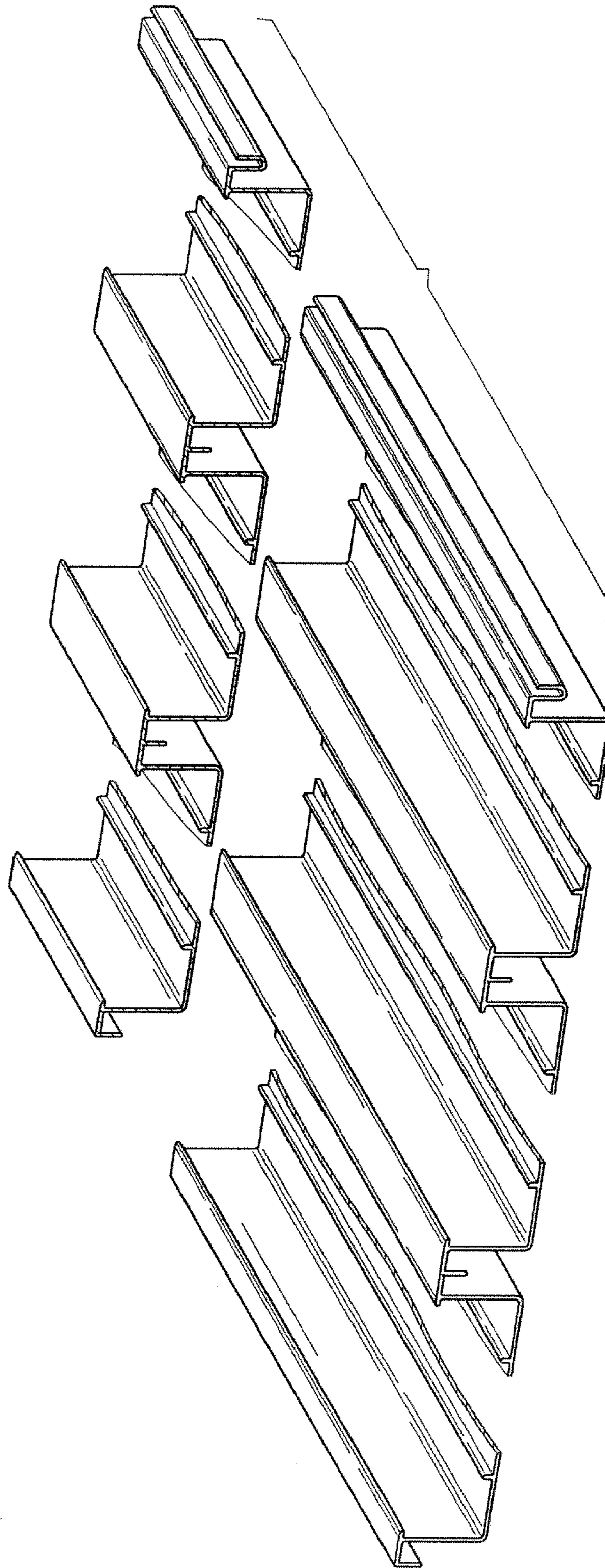


FIG. 2

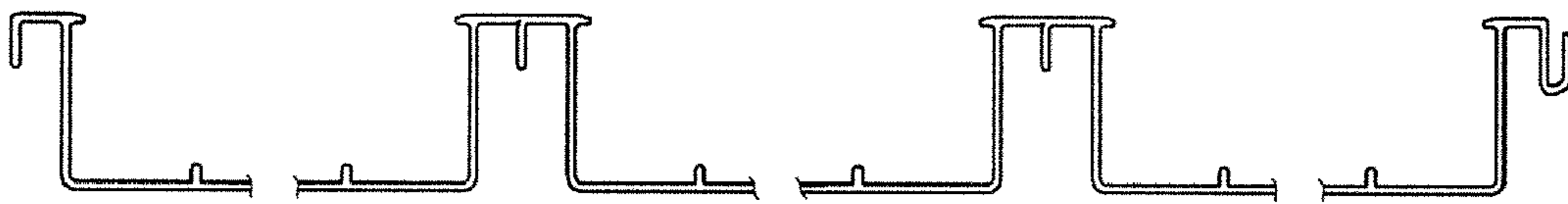


FIG. 3

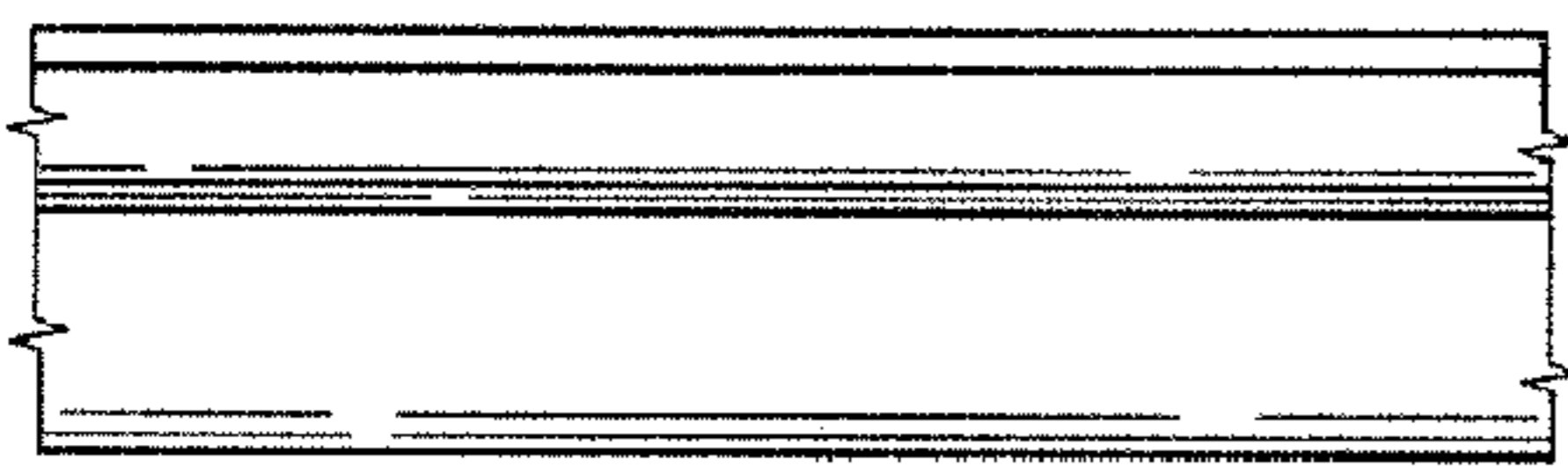


FIG. 4

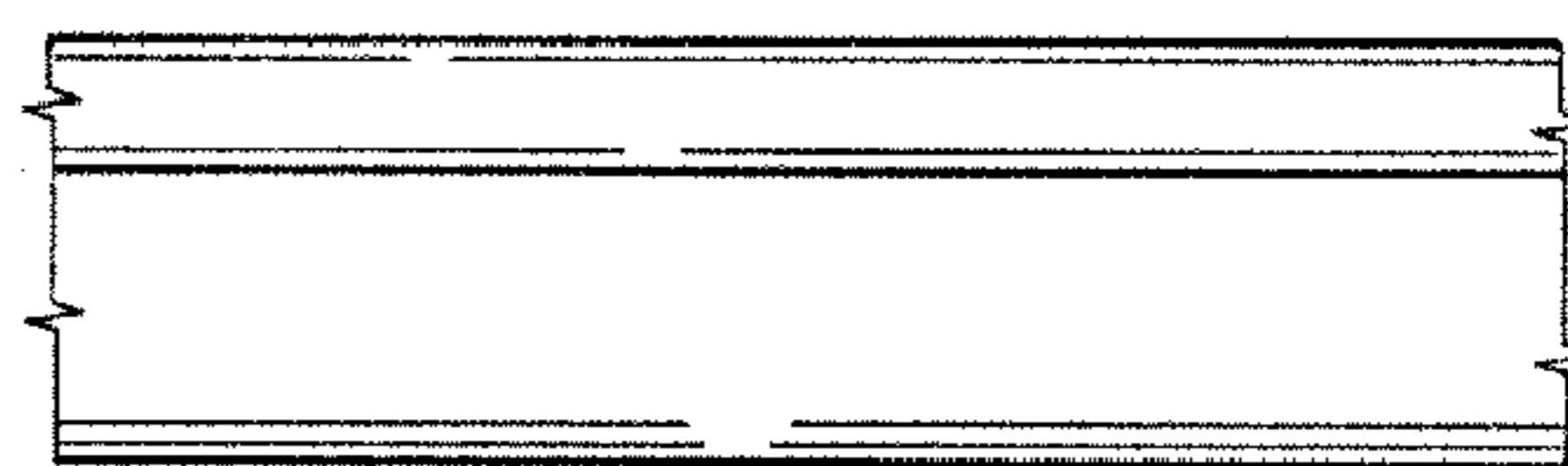


FIG. 5

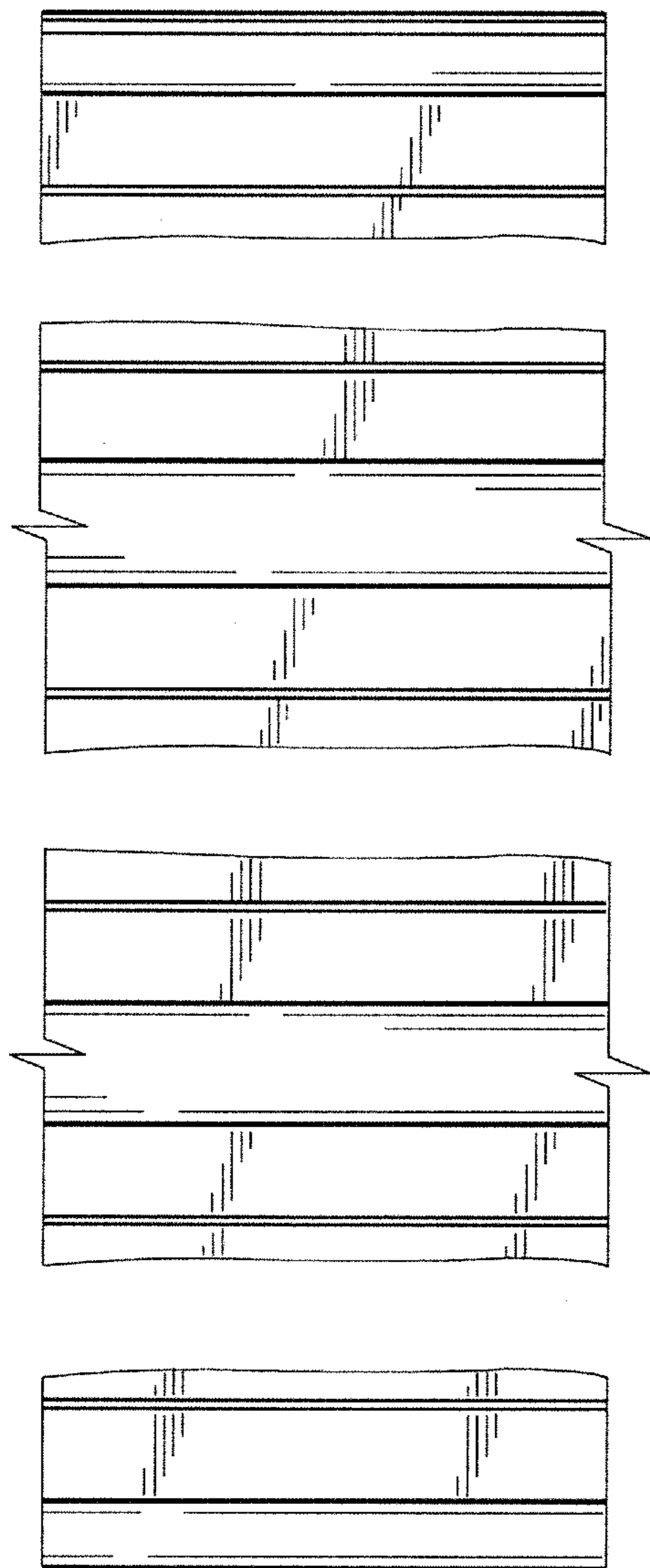


FIG. 6

