



US00D611742S

(12) **United States Design Patent**
Bonatz

(10) **Patent No.:** **US D611,742 S**
(45) **Date of Patent:** **** Mar. 16, 2010**

(54) **BED ACCESSORIES POUCH**

(57) **CLAIM**

(76) **Inventor:** **Richard Bonatz**, 2150 Northmont Pkwy., Suite A, Duluth, GA (US) 30096

The ornamental design for a bed accessories pouch, as shown and described hereinabove.

(**) **Term:** **14 Years**

DESCRIPTION

(21) **Appl. No.:** **29/323,369**

(22) **Filed:** **Aug. 25, 2008**

(51) **LOC (9) Cl.** **06-02**

(52) **U.S. Cl.** **D6/503**

(58) **Field of Classification Search** D3/318,
D3/324; D6/606, 503; 5/485, 497
See application file for complete search history.

FIG. 1 is a front perspective view of the bed accessories pouch;

FIG. 2 is a top plan view of the bed accessories pouch;

FIG. 3 is a front elevational view of the bed accessories pouch;

FIG. 4 is a left side elevational view of the bed accessories pouch;

FIG. 5 is a right side elevational view of the bed accessories pouch;

FIG. 6 is a bottom view of the bed accessories pouch; and,

FIG. 7 is a rear elevational view of the bed accessories pouch.

The broken lines showing a bed frame and stitching are for illustrative purposes only and form no part of the claimed design.

(56) **References Cited**

U.S. PATENT DOCUMENTS

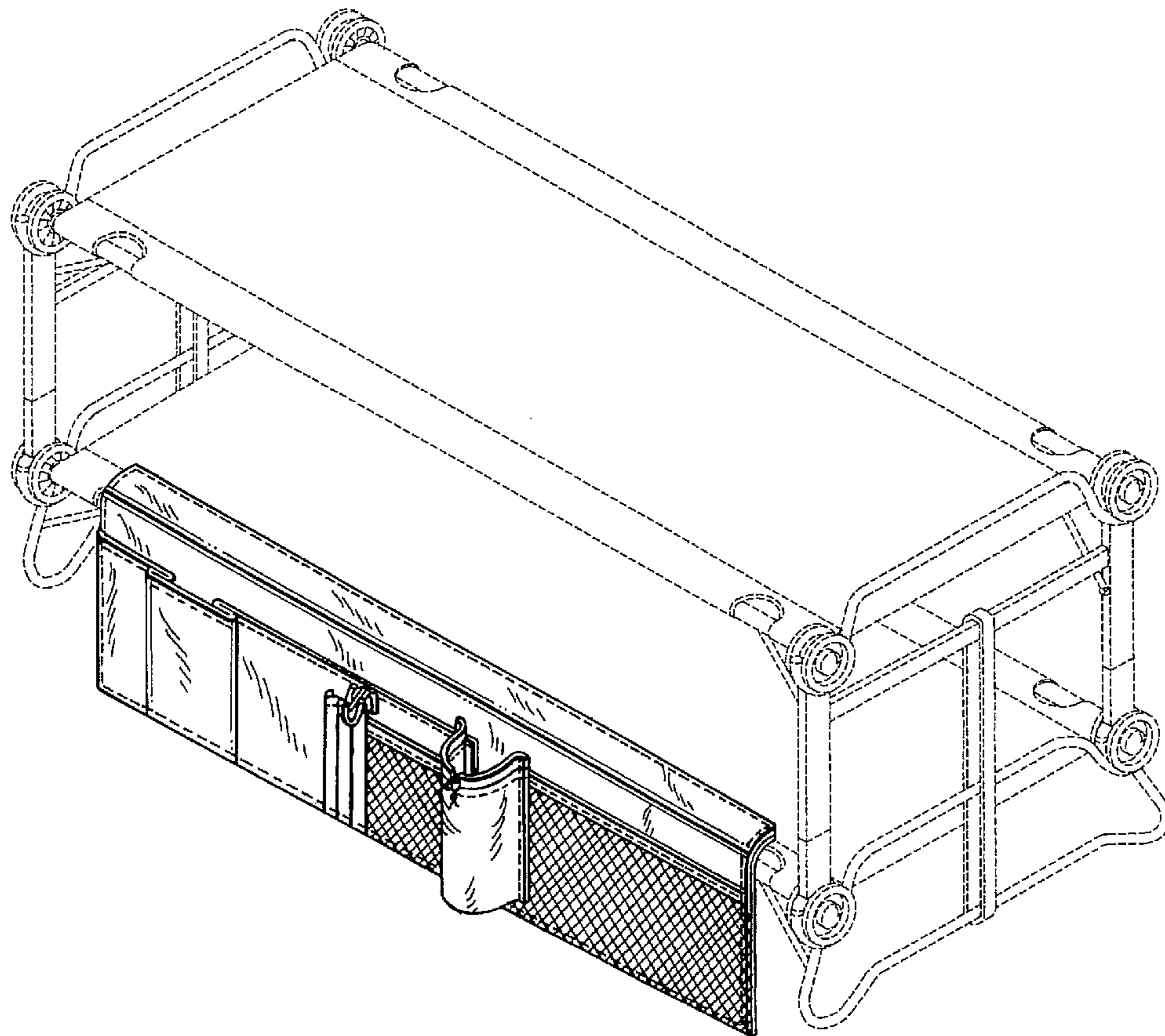
D128,260 S *	7/1941	Hennings	D3/319
5,279,009 A *	1/1994	Putka, Jr.	5/485
6,178,574 B1 *	1/2001	Stromatt et al.	5/485

* cited by examiner

Primary Examiner—Holly H Baynham

(74) *Attorney, Agent, or Firm*—Lackenbach Siegel, LLP

1 Claim, 4 Drawing Sheets



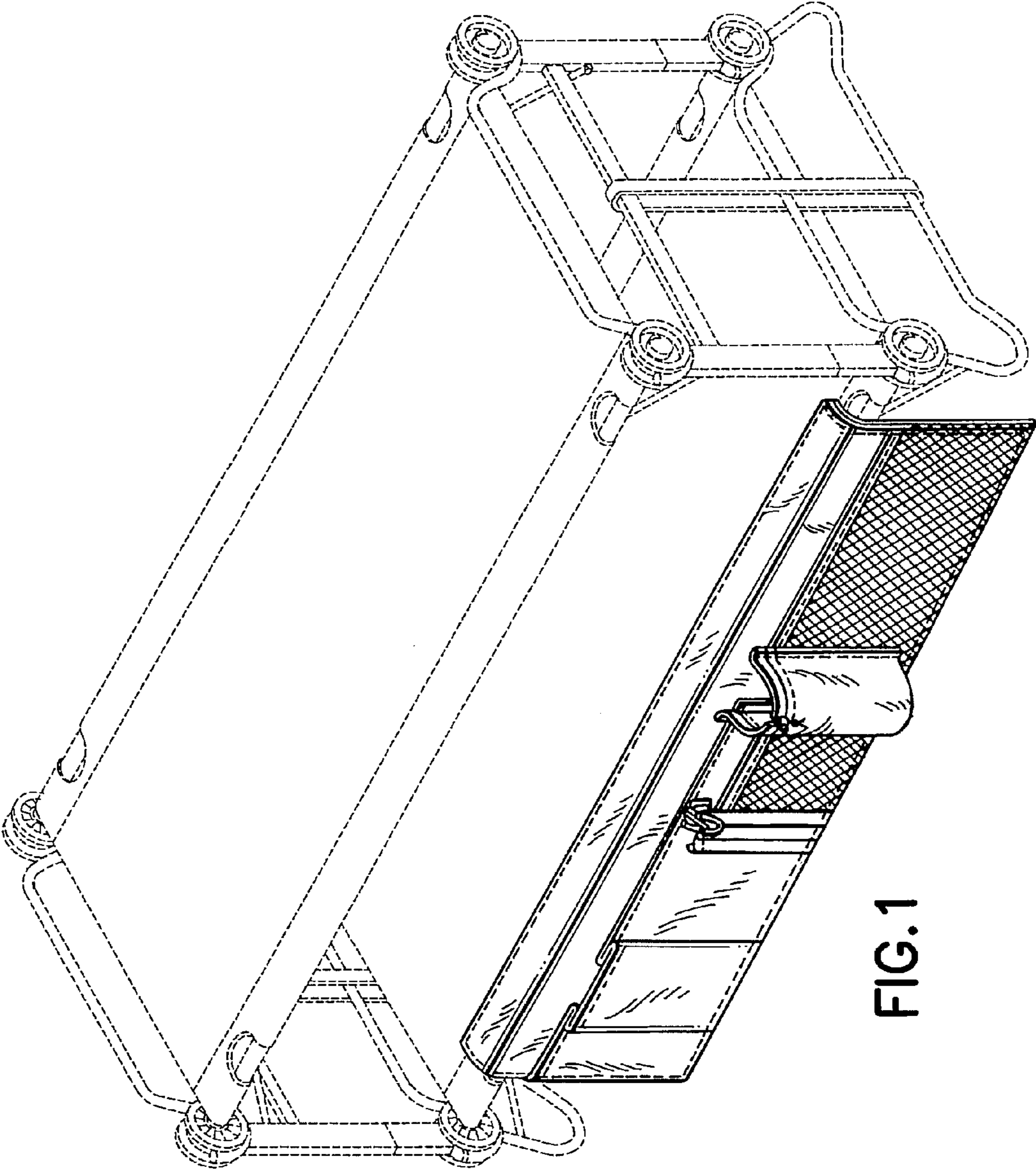


FIG. 1

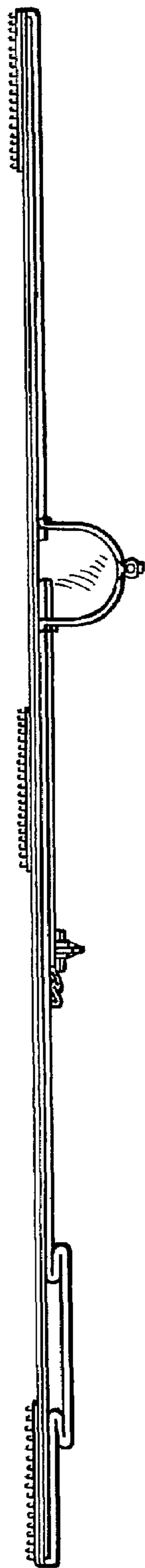


FIG. 2

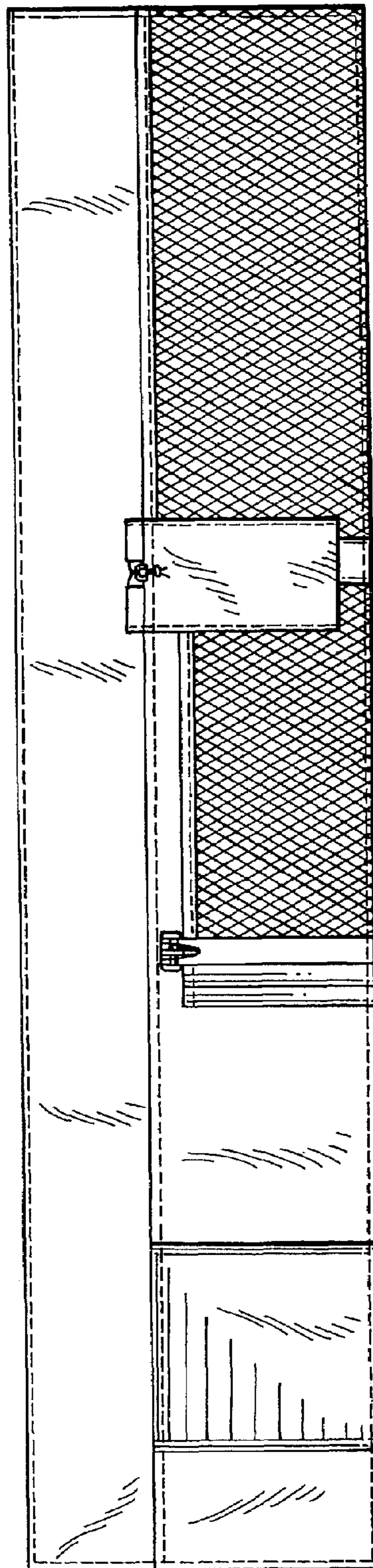


FIG. 3

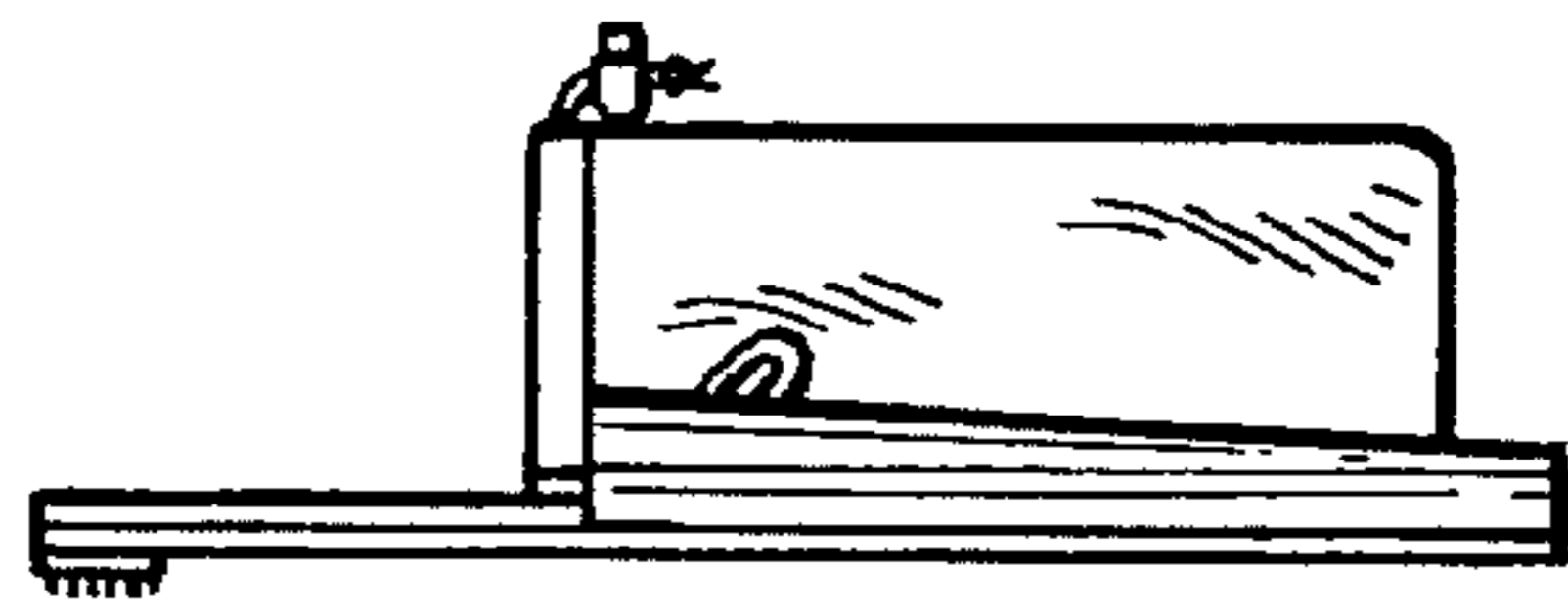


FIG. 4

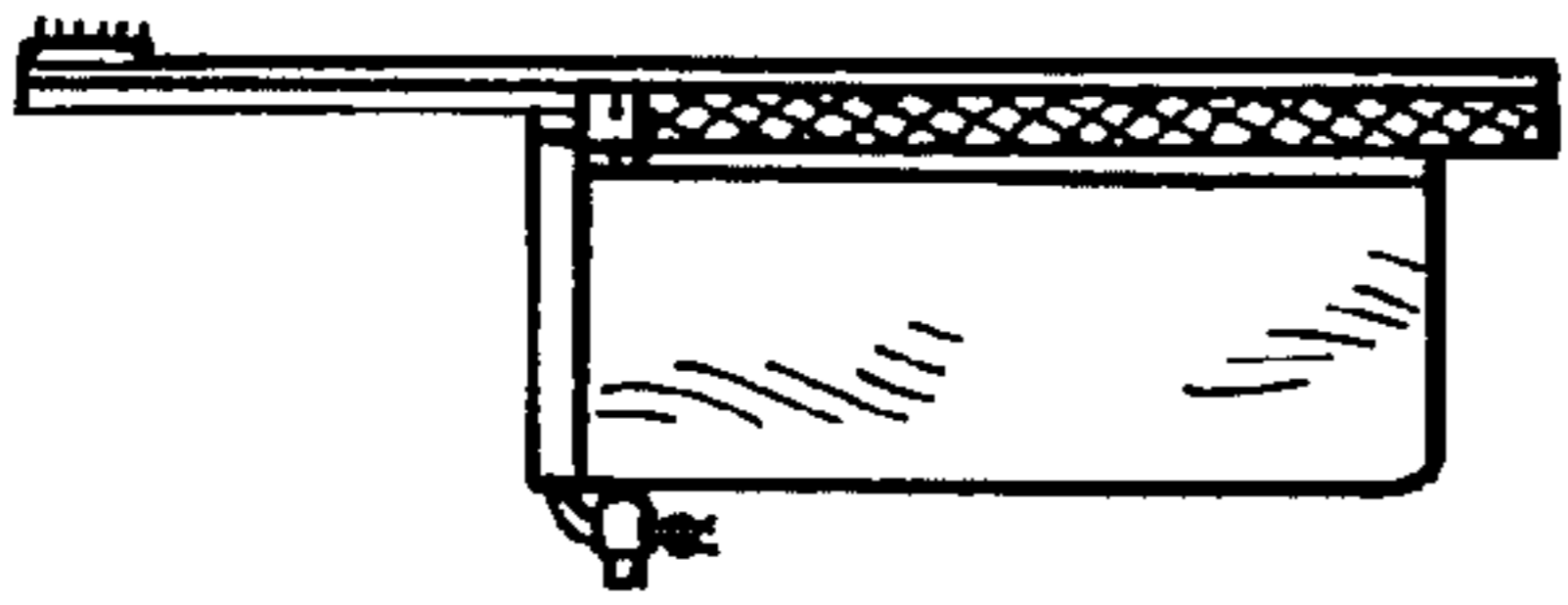


FIG. 5

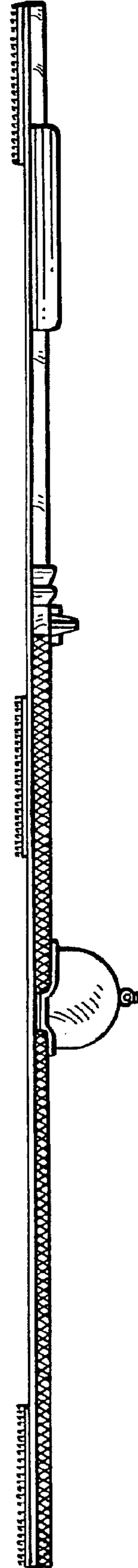


FIG. 6

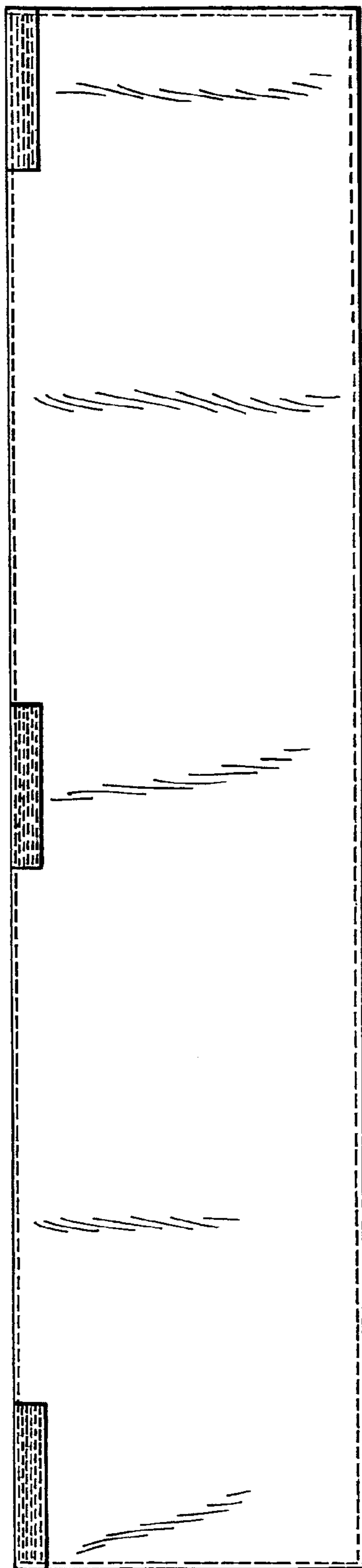


FIG. 7