



US00D611741S

(12) **United States Design Patent**
Zhang

(10) **Patent No.:** **US D611,741 S**
(45) **Date of Patent:** **** Mar. 16, 2010**

(54) **SEATBACK**

(75) Inventor: **Weiqiang Zhang**, Foshan (CN)

(73) Assignee: **IGO Furniture (Foshan) Ltd.**, Foshan, Guangdong (CN)

(**) Term: **14 Years**

(21) Appl. No.: **29/343,183**

(22) Filed: **Sep. 9, 2009**

(51) **LOC (9) Cl.** **06-01**

(52) **U.S. Cl.** **D6/502; D6/366**

(58) **Field of Classification Search** D6/334-336,
D6/364, 365, 366, 367, 368, 369, 374, 376,
D6/379, 380, 498, 500-502; 297/284.4,
297/300.2, 452.18, 452.3, 452.13, 452.29,
297/452.56, 452.64

See application file for complete search history.

(56) **References Cited**

U.S. PATENT DOCUMENTS

D558,492 S *	1/2008	Lu	D6/500
D558,994 S *	1/2008	Machael et al.	D6/366
D568,624 S *	5/2008	Wen	D6/366
D574,645 S *	8/2008	Christensen	D6/502
D576,416 S *	9/2008	Su	D6/366
D579,695 S *	11/2008	Wu	D6/500
D580,198 S *	11/2008	Wu	D6/502
D580,199 S *	11/2008	Su	D6/502

D585,205 S *	1/2009	Wen	D6/366
D594,257 S *	6/2009	Christensen	D6/502
D596,884 S *	7/2009	Wen	D6/502

* cited by examiner

Primary Examiner—Mimosa De

(74) *Attorney, Agent, or Firm*—Birch, Stewart, Kolasch & Birch, LLP

(57) **CLAIM**

The ornamental design for a seatback, as shown and described.

DESCRIPTION

FIG. 1 is a perspective view of a seatback showing my new design;

FIG. 2 is a front elevational view thereof;

FIG. 3 is a rear elevational view thereof;

FIG. 4 is a top plan view thereof;

FIG. 5 is a bottom plan view thereof;

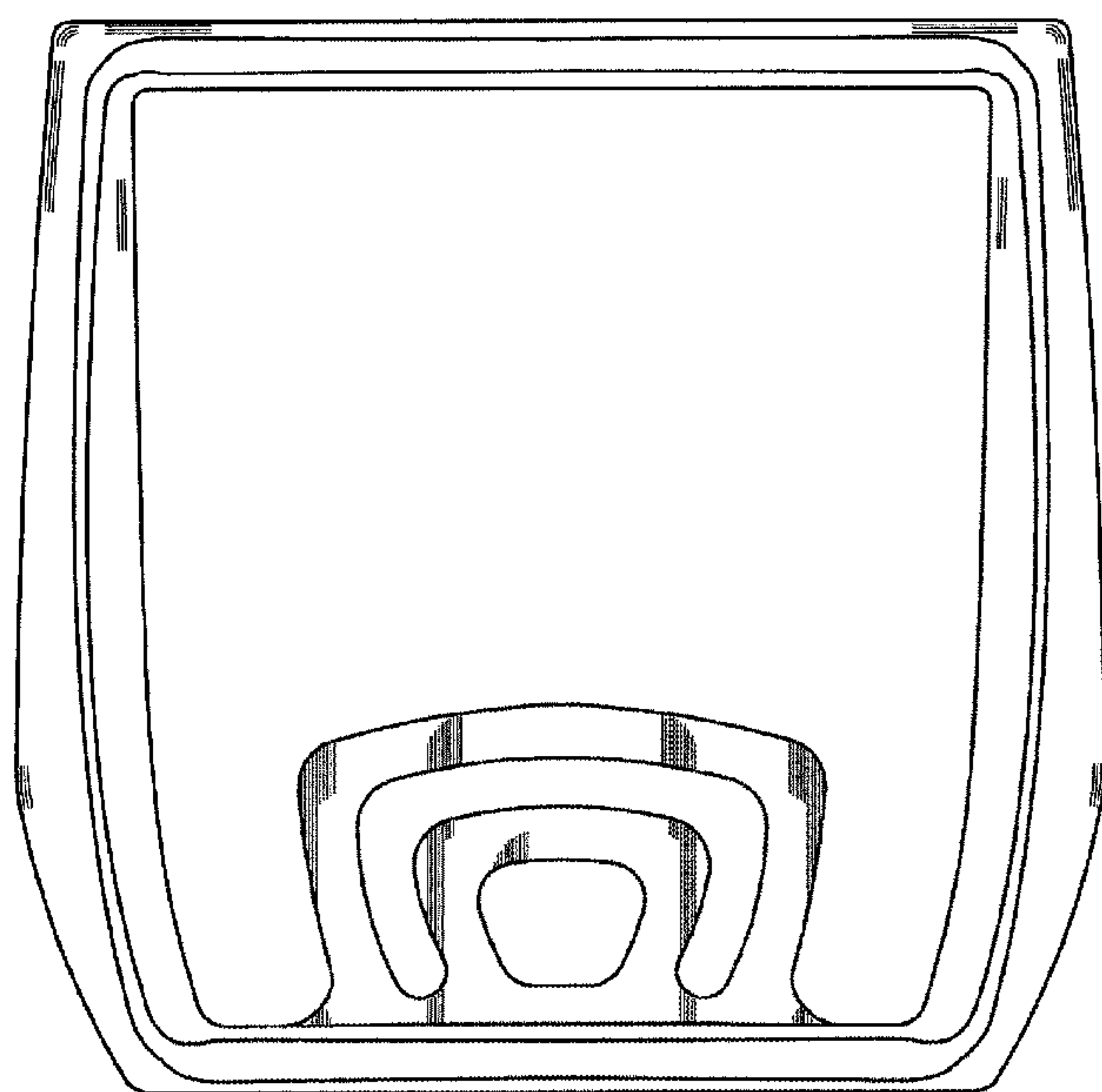
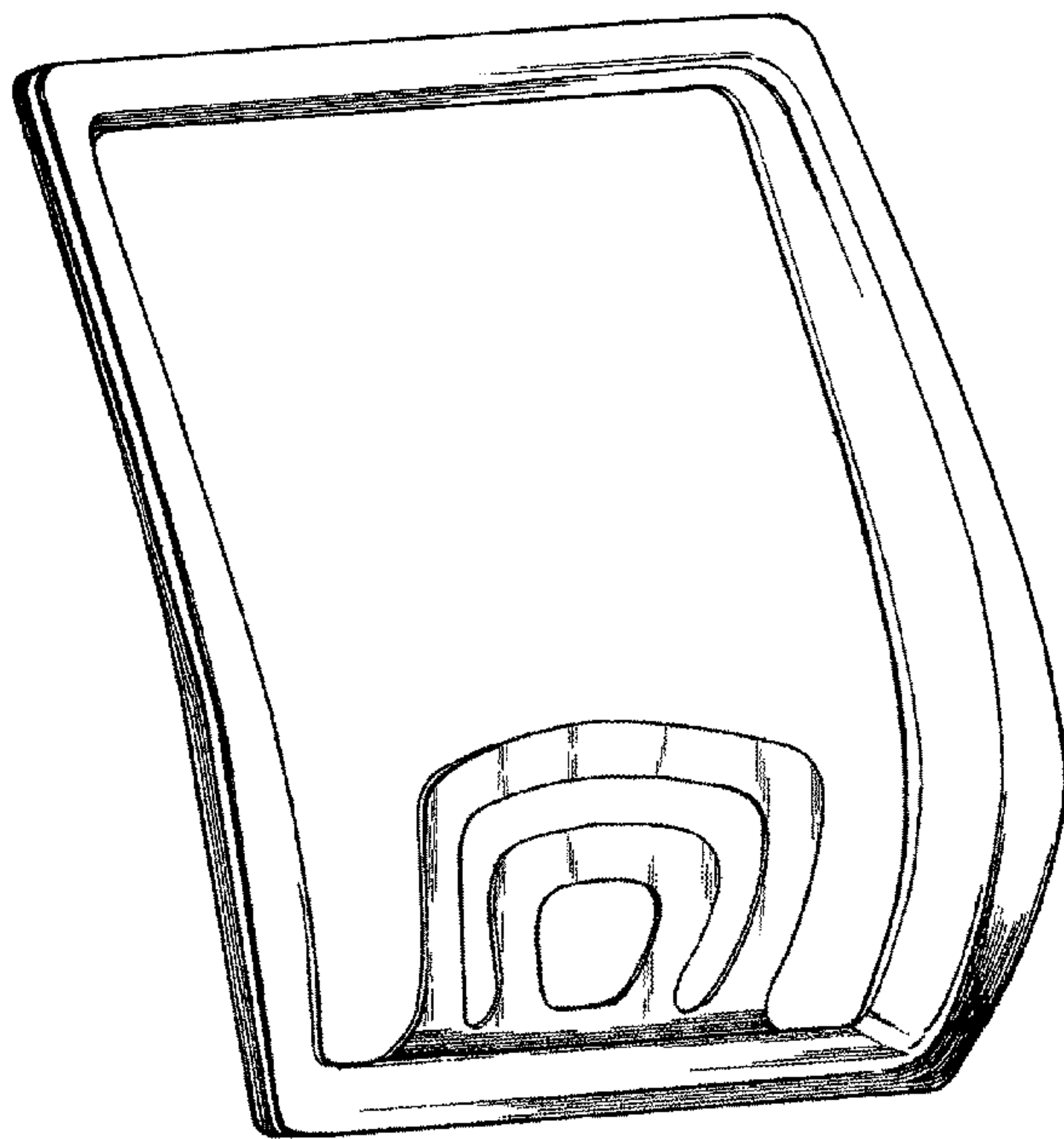
FIG. 6 is a right elevational view thereof;

FIG. 7 is a left elevational view thereof; and,

FIG. 8 is a perspective view of the seatback shown in use with a chair which is shown in broken lines.

The portions shown in broken lines form no part of the claimed design.

1 Claim, 8 Drawing Sheets



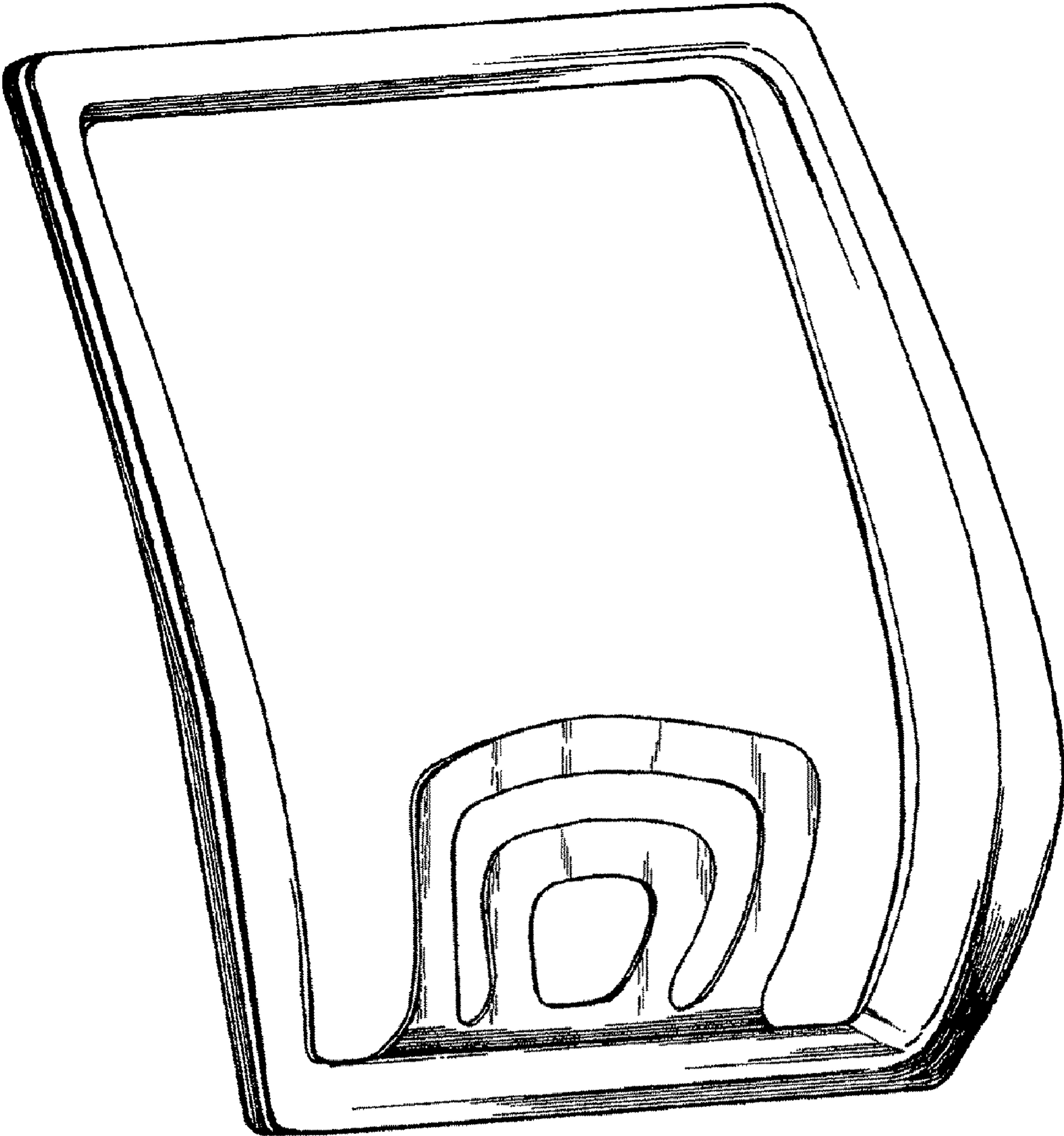


FIG. 1

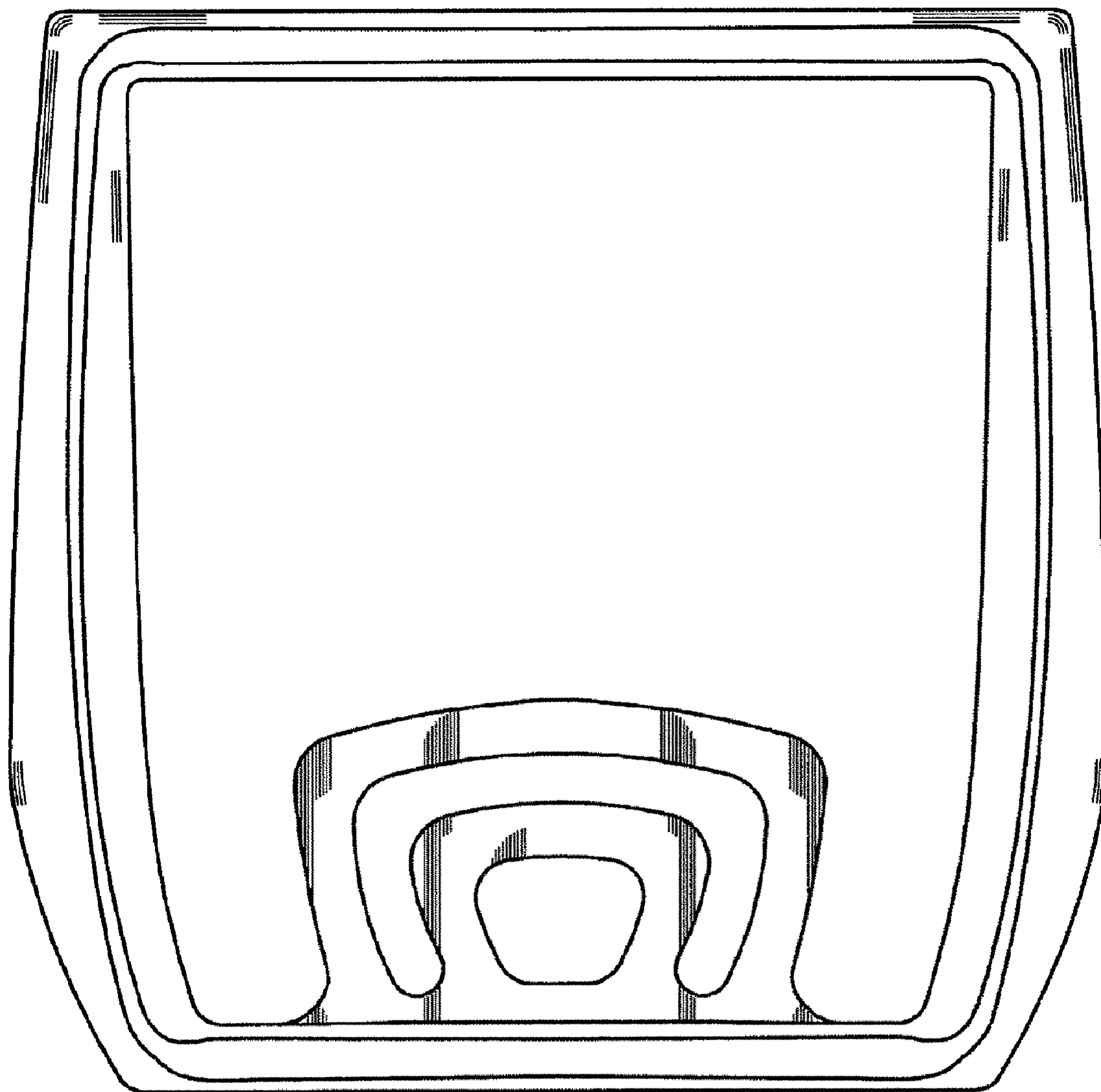


FIG. 2

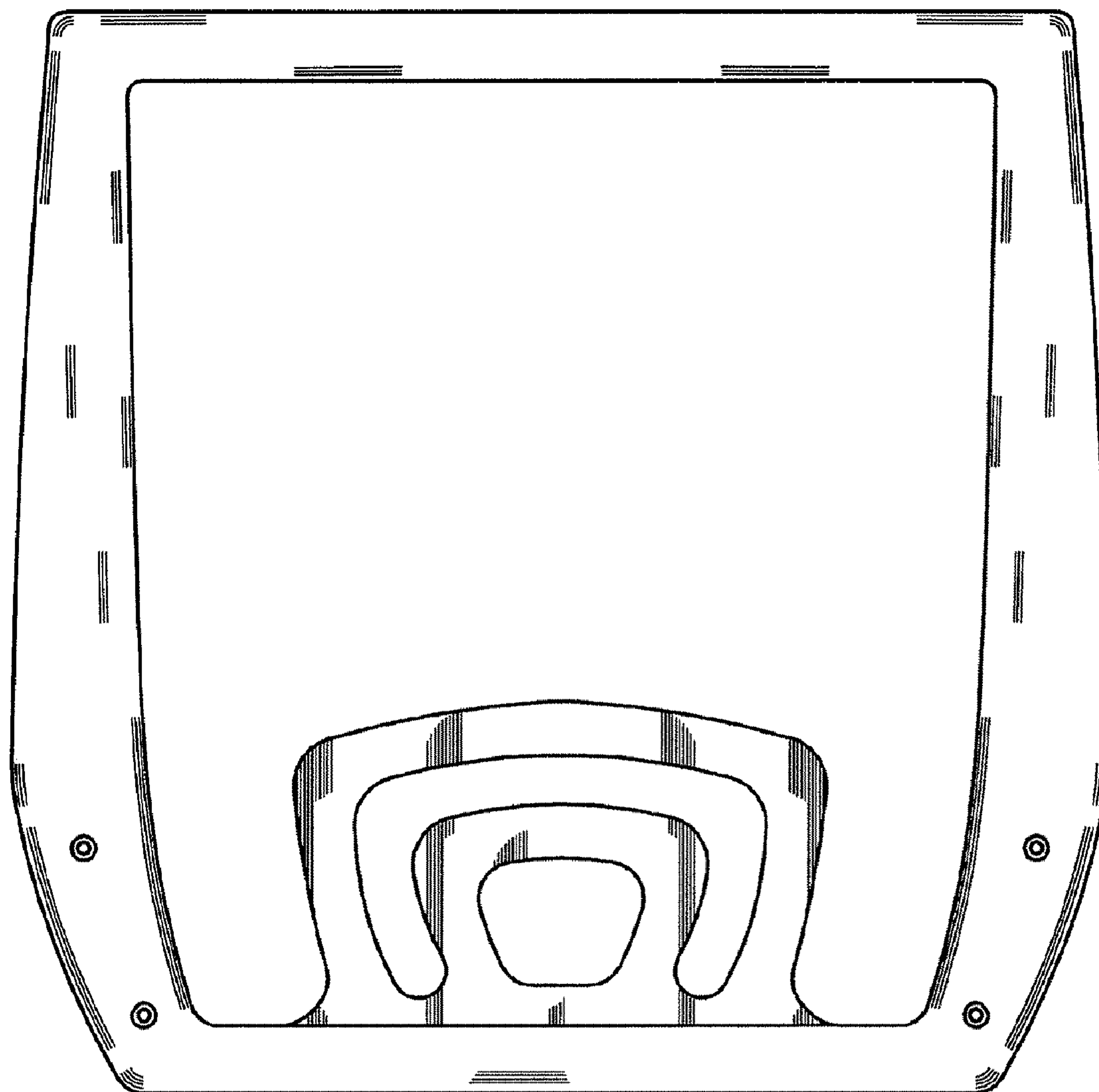


FIG. 3

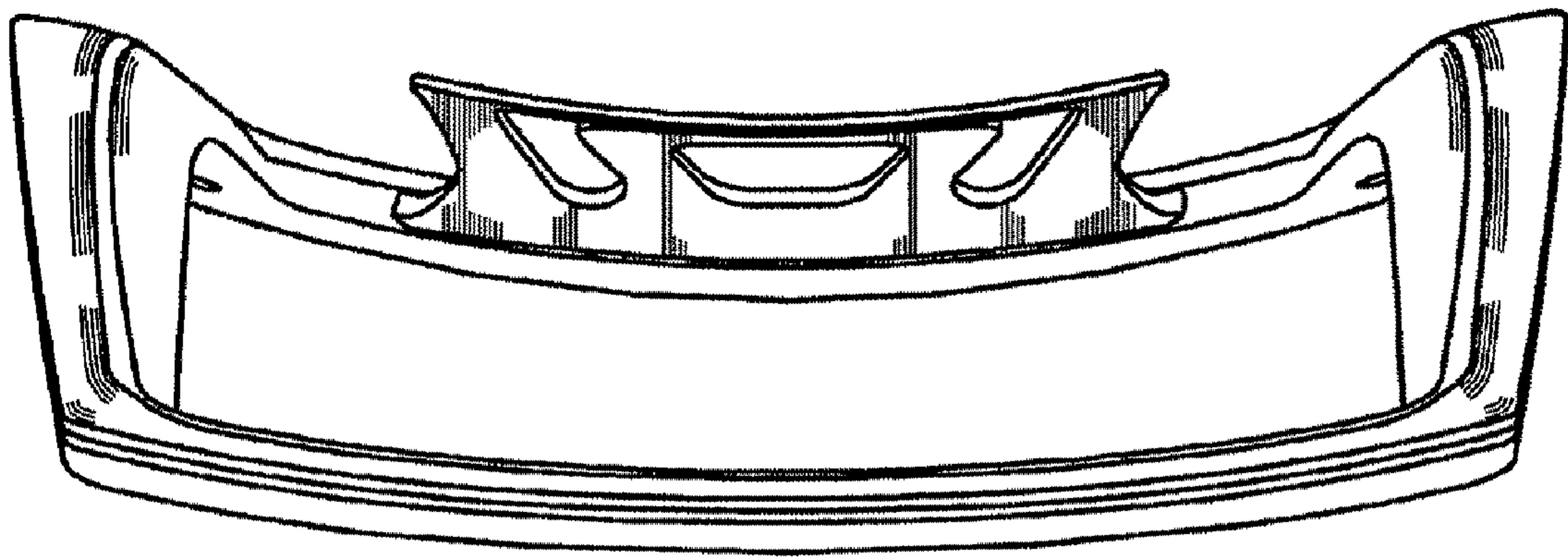


FIG. 4

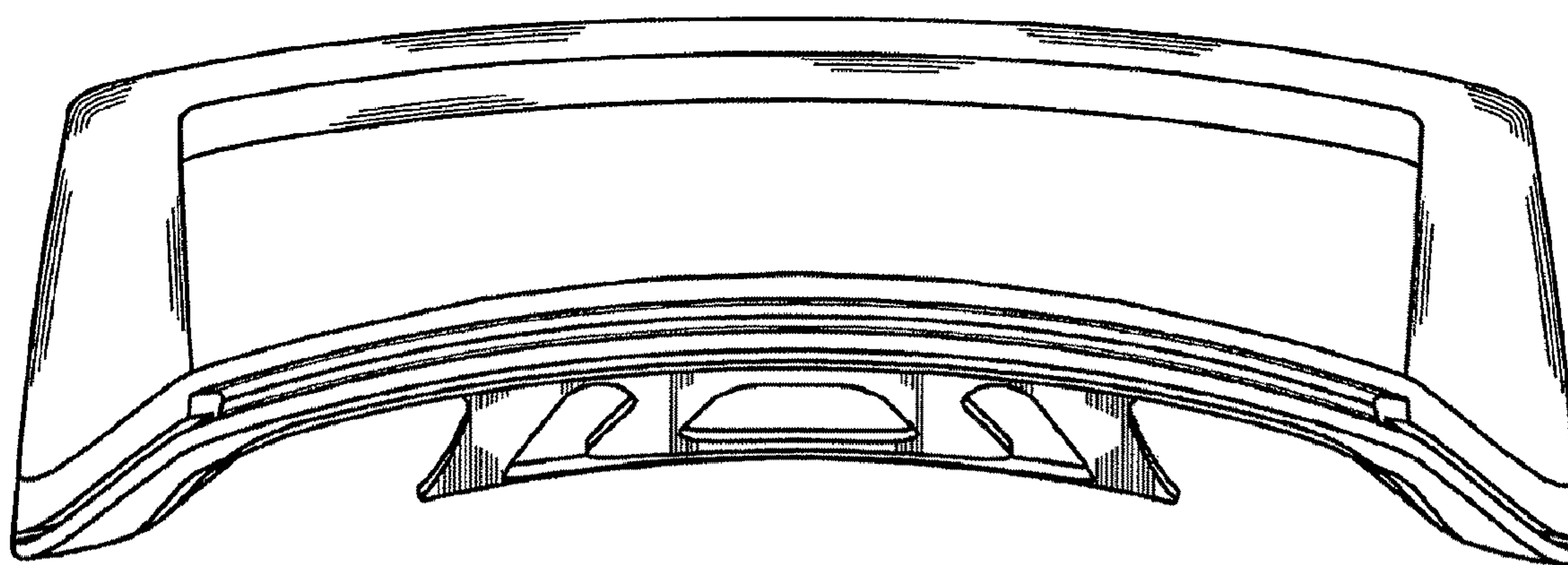


FIG. 5

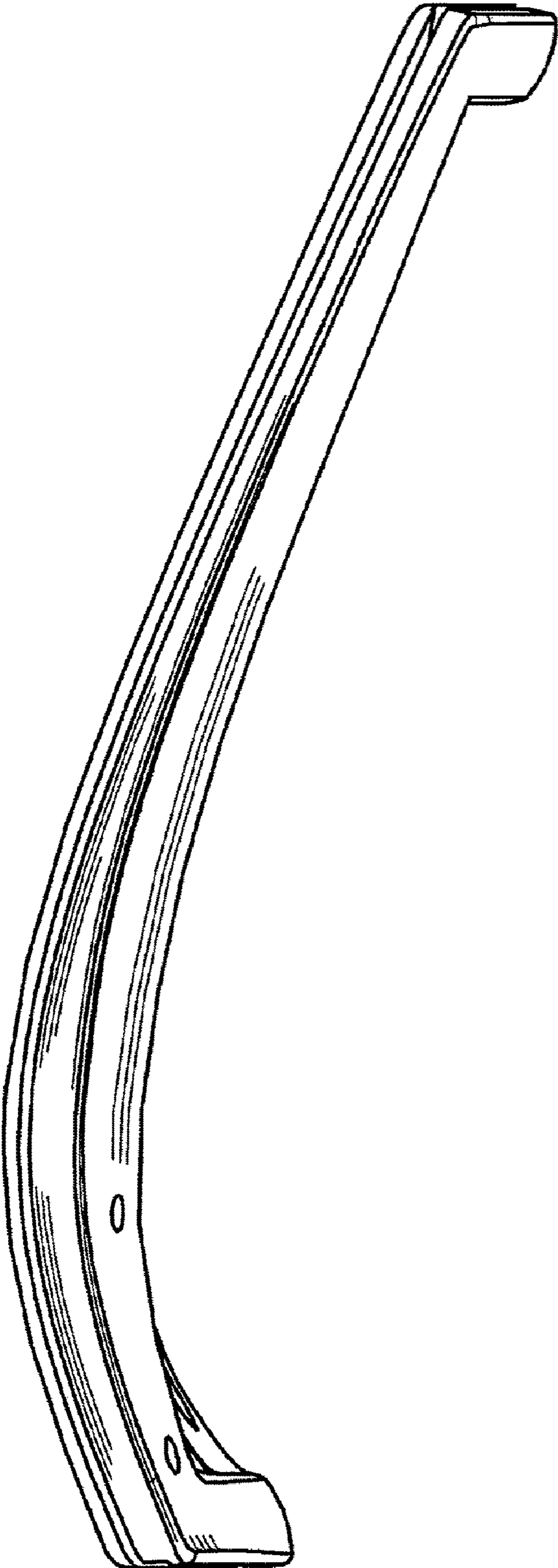


FIG. 6



FIG. 7

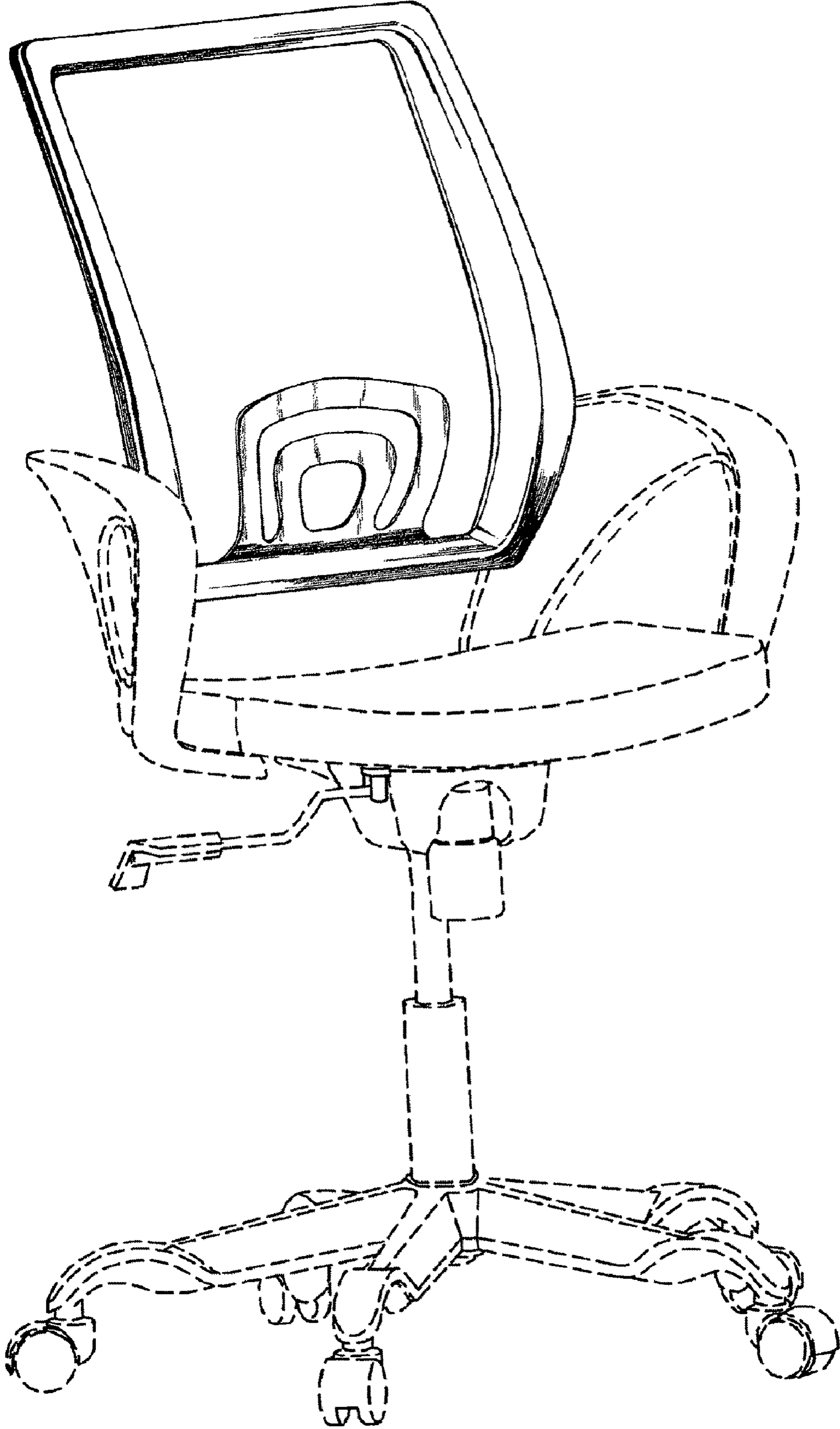


FIG. 8