



US00D611740S

(12) **United States Design Patent**
Koh

(10) **Patent No.:** **US D611,740 S**

(45) **Date of Patent:** **** Mar. 16, 2010**

(54) **CHAIR**

(76) Inventor: **Tuang Hock Koh**, No. 42, 37th Road,
Taichung Industrial Park, Taichung City
(TW) 40768

(**) Term: **14 Years**

(21) Appl. No.: **29/344,774**

(22) Filed: **Oct. 5, 2009**

(51) **LOC (9) Cl.** **06-01**

(52) **U.S. Cl.** **D6/500; D6/375**

(58) **Field of Classification Search** D6/334-336,
D6/356, 366, 371-373, 374, 375, 376, 379,
D6/380, 500-502; 297/183.7, 239, 445.1,
297/452.12, 452.14, 452.19, 452.21, 452.29
See application file for complete search history.

(56) **References Cited**

U.S. PATENT DOCUMENTS

D202,549 S *	10/1965	Kramer	D6/375
D202,550 S *	10/1965	Kramer	D6/375
4,002,369 A *	1/1977	Jennings	297/239
D255,183 S *	6/1980	Locher	D6/366
D255,293 S *	6/1980	Locher	D6/366
D467,088 S *	12/2002	Haney et al.	D6/356
D494,789 S *	8/2004	Brown	D6/500
D503,559 S *	4/2005	Glass et al.	D6/372

D504,026 S *	4/2005	Glass et al.	D6/366
D513,911 S *	1/2006	Glass et al.	D6/502
D522,265 S *	6/2006	Glass et al.	D6/375
D536,887 S *	2/2007	Goebert et al.	D6/356
D549,018 S *	8/2007	Glass et al.	D6/500
D553,380 S *	10/2007	Natuzzi	D6/375
D572,049 S *	7/2008	Kerr	D6/500
D597,758 S *	8/2009	Barrett et al.	D6/375
2009/0195047 A1 *	8/2009	Bouche et al.	297/452.14

* cited by examiner

Primary Examiner—Mimosa De

(57) **CLAIM**

The ornamental design for a chair, as shown (and described).

DESCRIPTION

FIG. 1 is a perspective view of a chair showing my new design;

FIG. 2 is a front elevational view thereof;

FIG. 3 is a rear elevational view thereof;

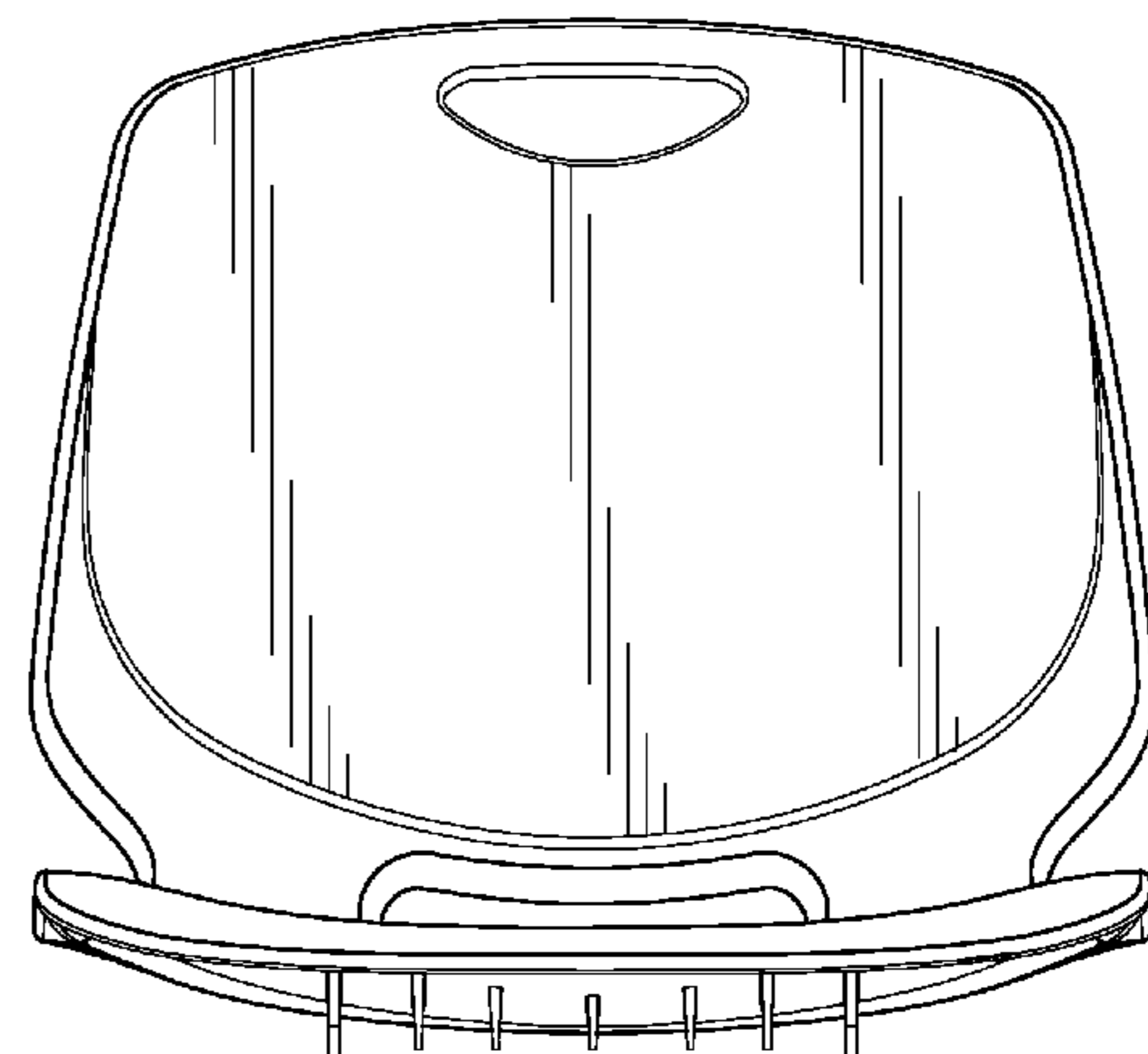
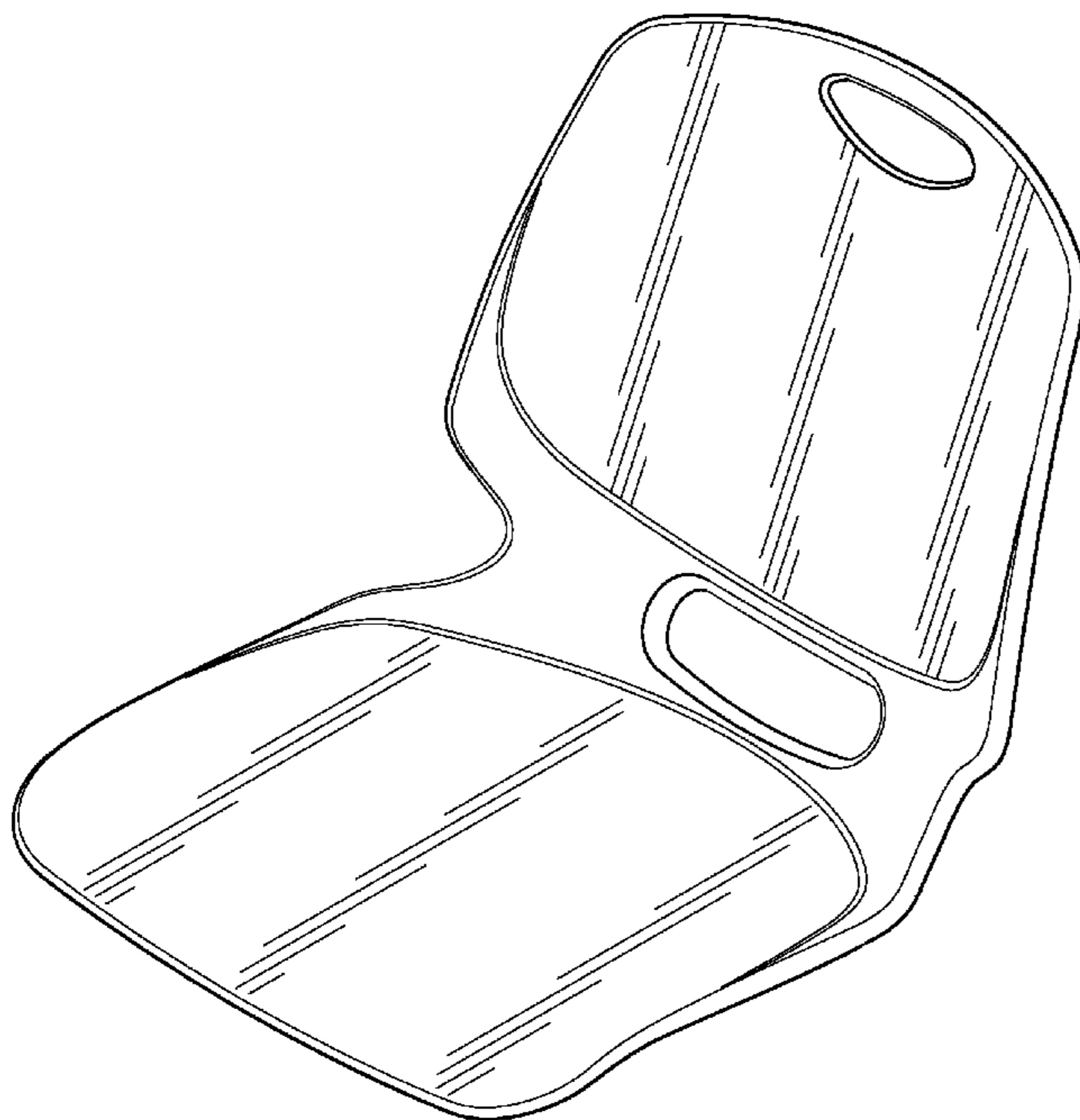
FIG. 4 is a left side view thereof;

FIG. 5 is a right side view thereof;

FIG. 6 is a top plan view thereof; and,

FIG. 7 is a bottom plan view thereof.

1 Claim, 7 Drawing Sheets



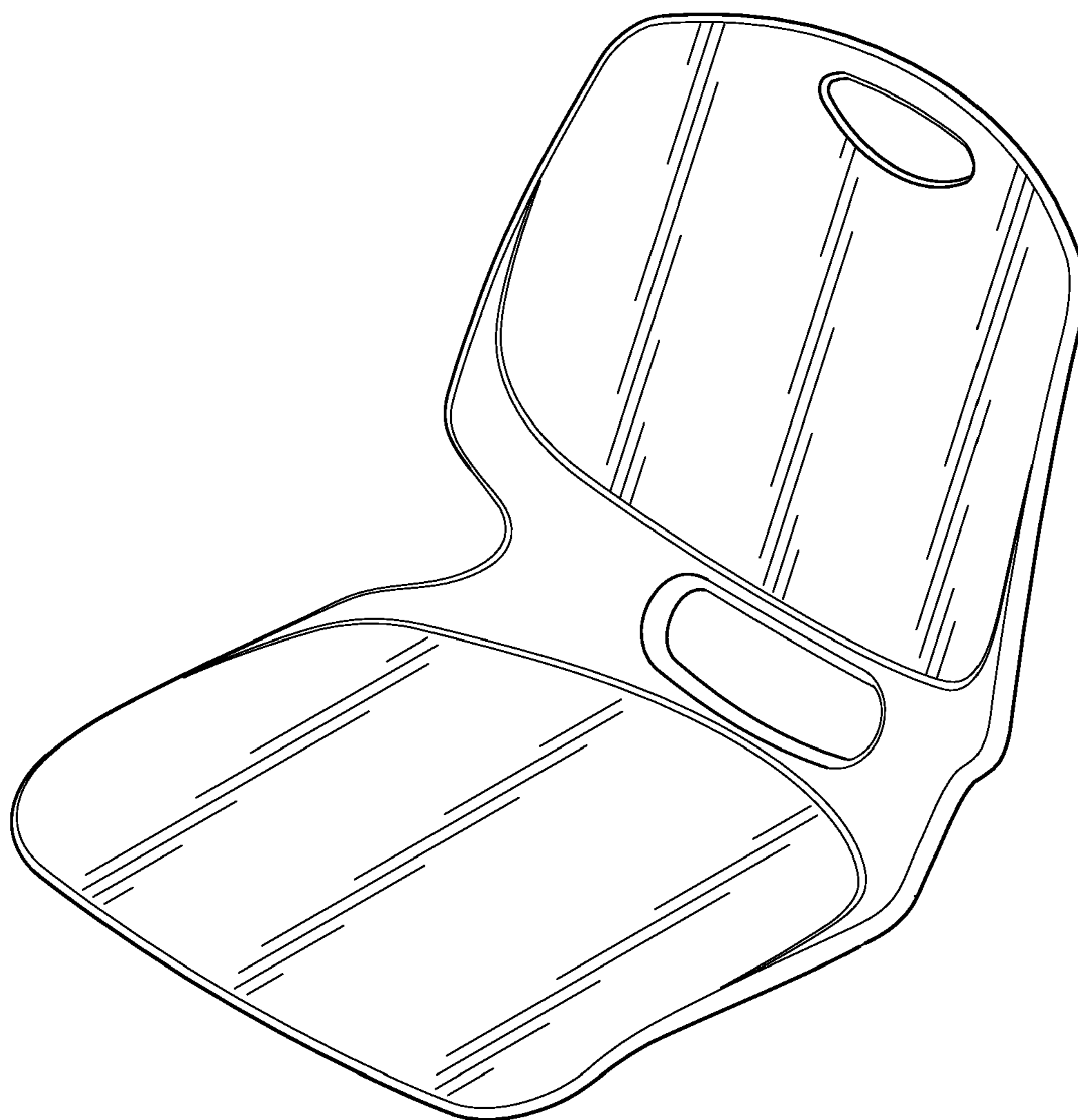


FIG. 1

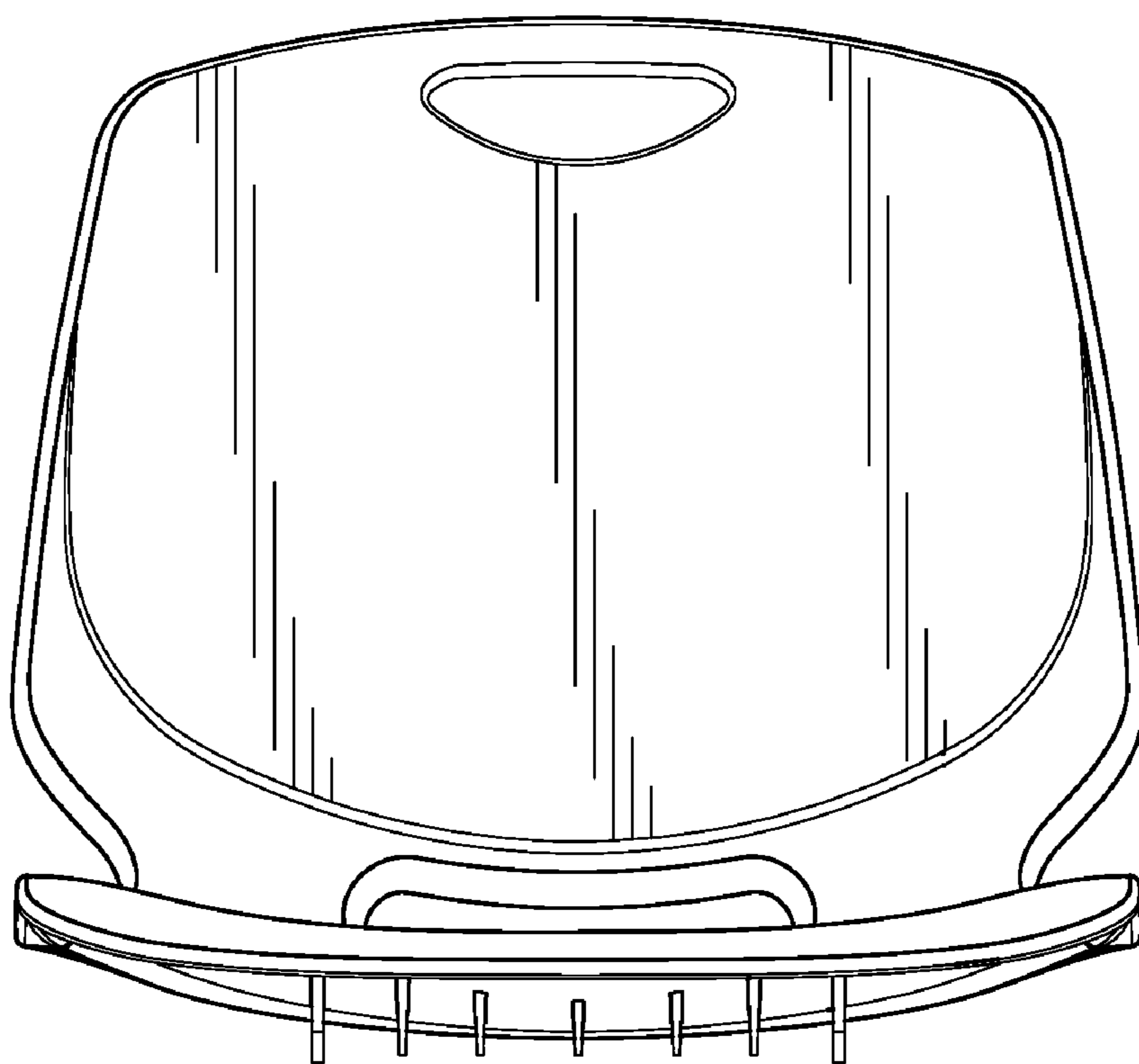


FIG. 2

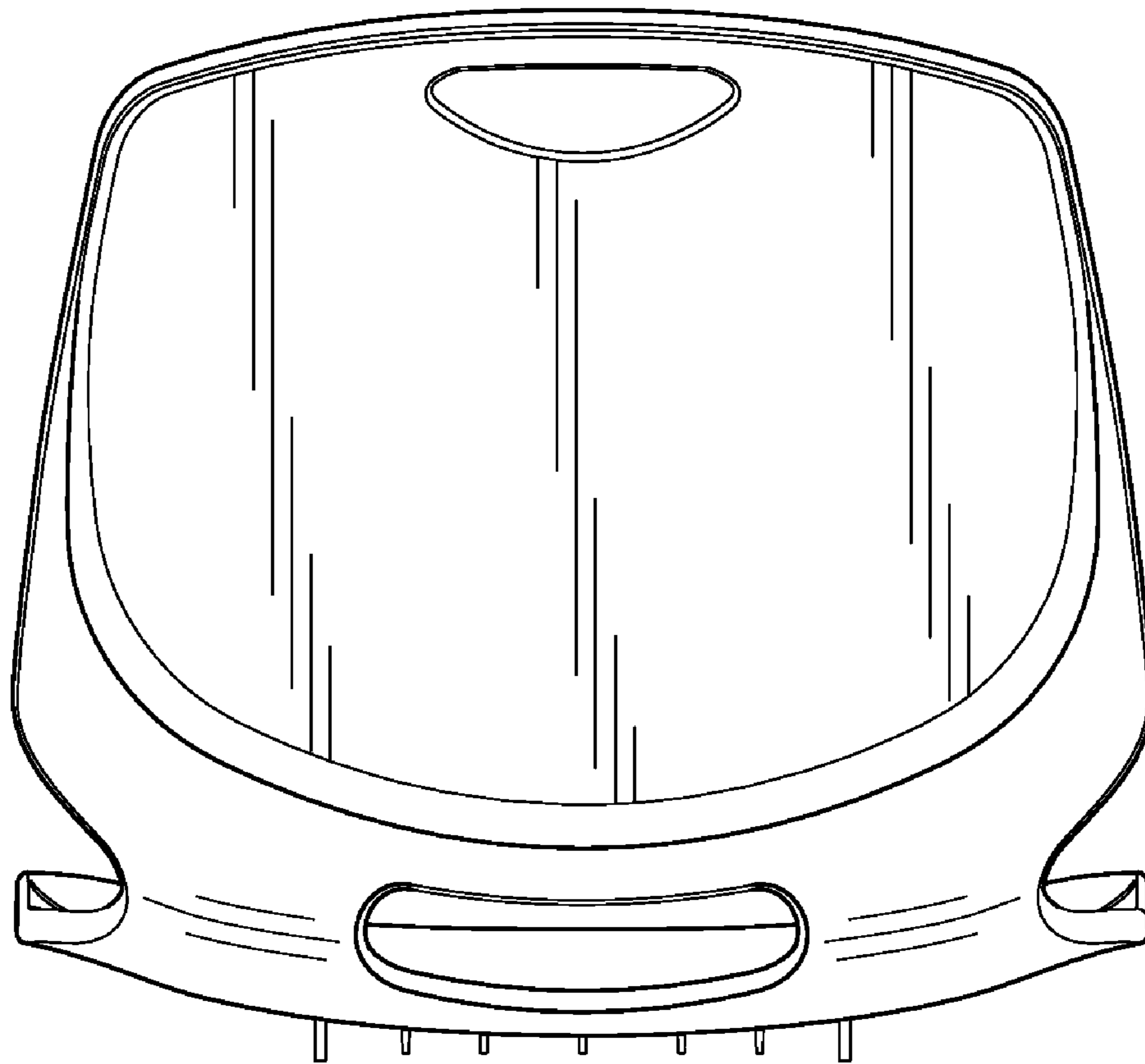


FIG. 3

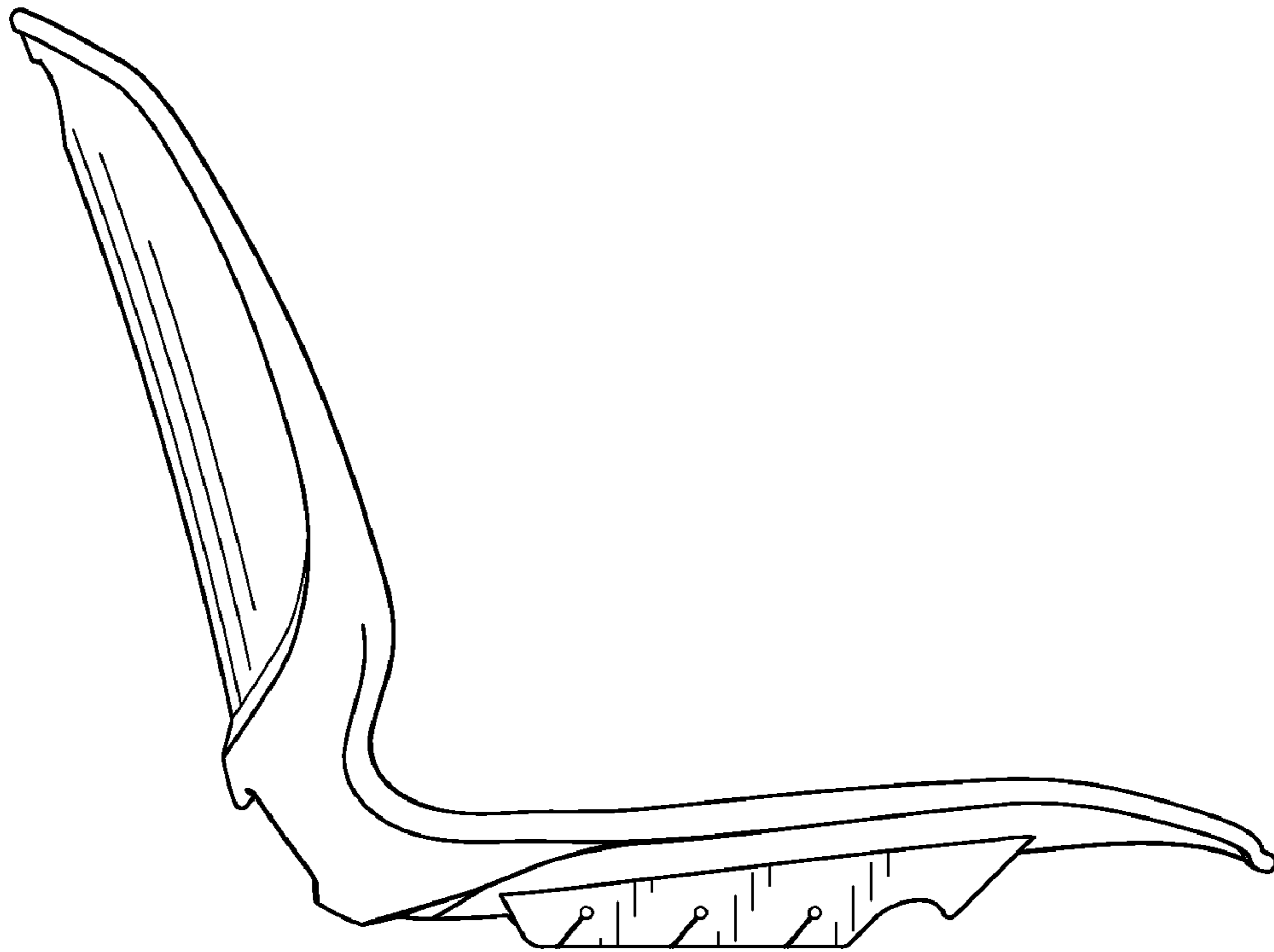


FIG. 4

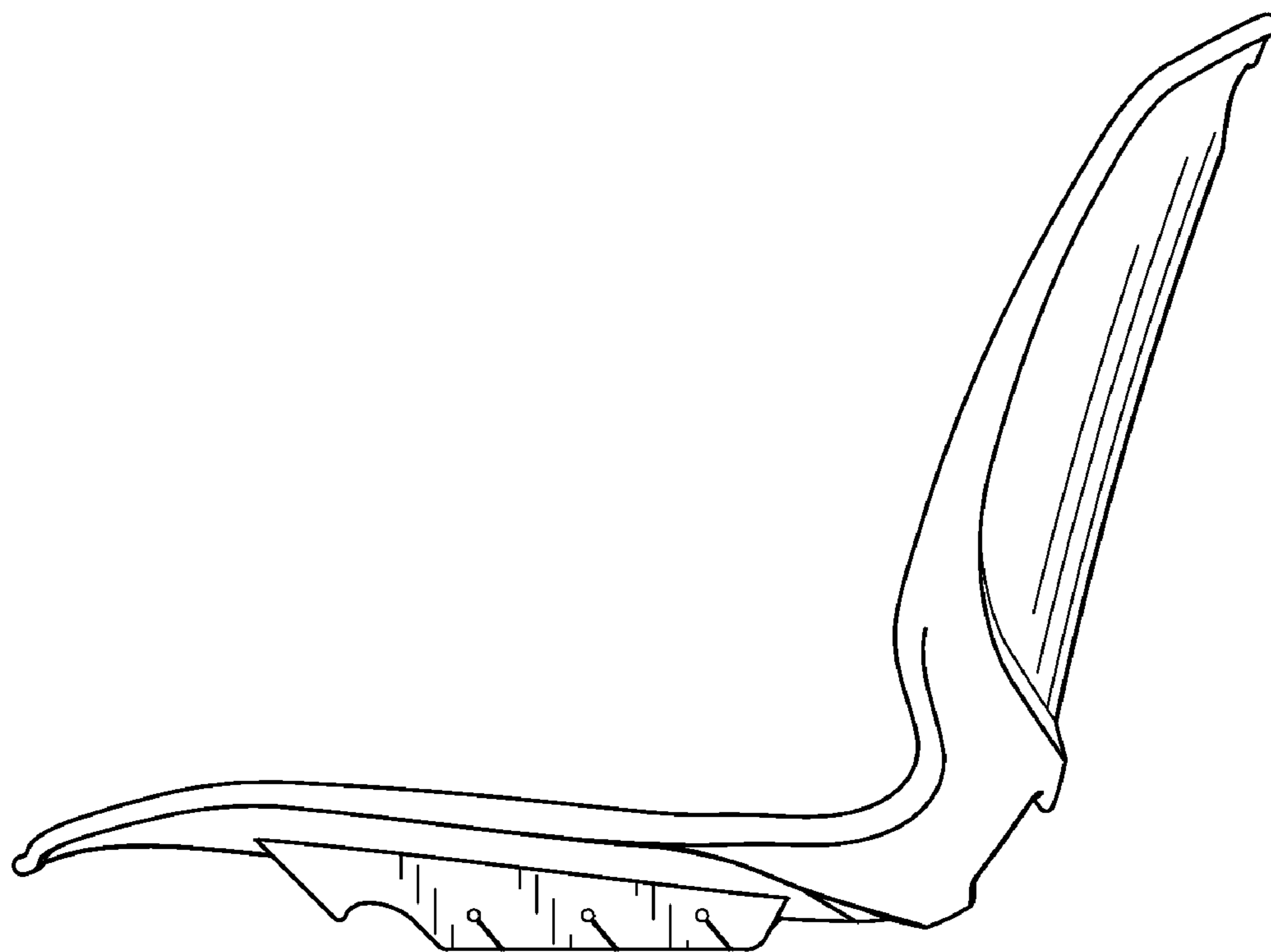


FIG. 5

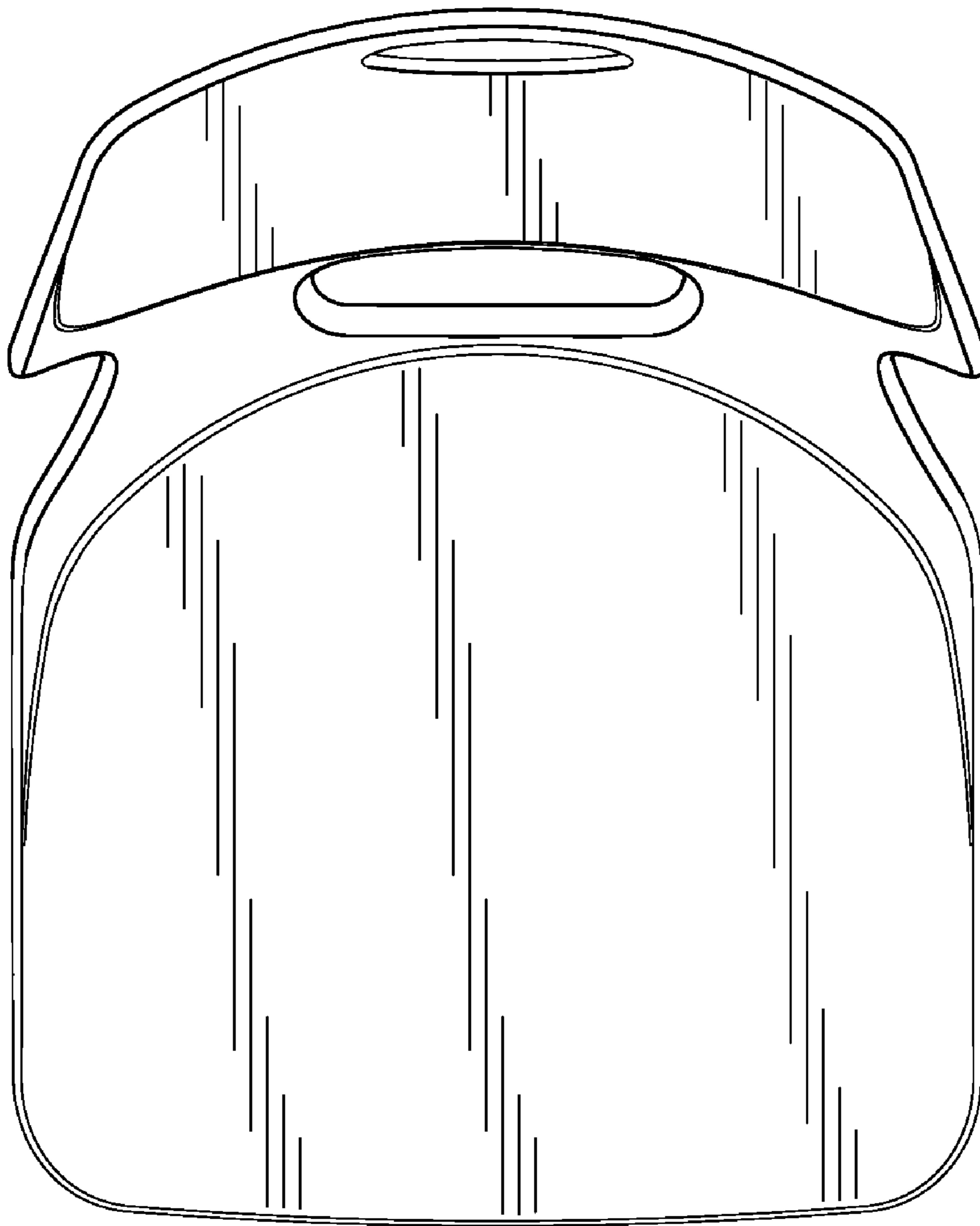


FIG. 6

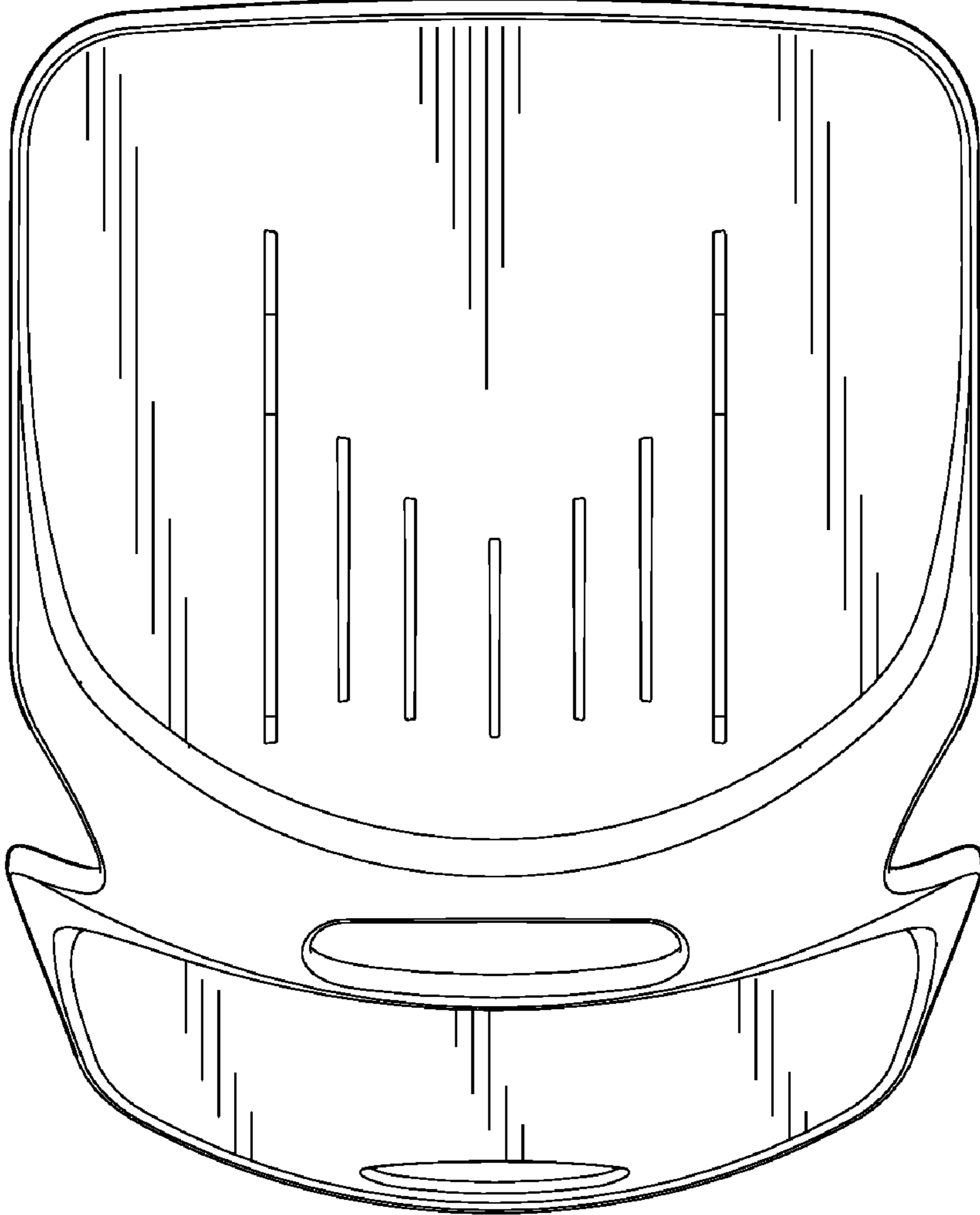


FIG. 7