



US00D611738S

(12) **United States Design Patent**
Kubryk

(10) **Patent No.:** **US D611,738 S**
(45) **Date of Patent:** **** Mar. 16, 2010**

(54) **TASK CHAIR**

(76) **Inventor:** **Isaac Kubryk**, 1111 Eagle Nest Ct.,
Danville, CA (US) 94506

(**) **Term:** **14 Years**

(21) **Appl. No.:** **29/316,781**

(22) **Filed:** **Nov. 2, 2009**

(51) **LOC (9) Cl.** **06-01**

(52) **U.S. Cl.** **D6/500; D6/366**

(58) **Field of Classification Search** D6/334-336,
D6/364, 365, 366, 371-373, 374, 375, 376,
D6/379, 380, 498, 500-502, 601; 297/411.27,
297/411.28, 440.11, 445.1, 446.1, 452.12,
297/452.19, 452.48

See application file for complete search history.

(56) **References Cited**

U.S. PATENT DOCUMENTS

D180,558 S *	7/1957	Jirnaek	D6/375
D203,589 S *	2/1966	Melchior	D6/375
D260,204 S *	8/1981	Sapper	D6/366
D270,309 S *	8/1983	Ochsner	D6/366
D275,354 S *	9/1984	Kaganas	D6/502
D295,466 S *	5/1988	Bellini	D6/366
D299,191 S *	1/1989	Frinier	D6/375
D301,662 S *	6/1989	Vonhausen	D6/366
D313,703 S *	1/1991	Moschini et al.	D6/366
D337,666 S *	7/1993	Peterson et al.	D6/366
D346,502 S *	5/1994	Ochsner	D6/379

5,318,348 A *	6/1994	Hess	297/440.11
D358,264 S *	5/1995	Vanderminden, Sr.	D6/375
D396,563 S *	8/1998	Meijer	D6/334
D405,283 S *	2/1999	James	D6/366
D411,380 S *	6/1999	Goodworth et al.	D6/366
D484,711 S *	1/2004	Getzel	D6/366
D560,381 S *	1/2008	Dauphin	D6/366
D576,812 S *	9/2008	Van Severen	D6/366

* cited by examiner

Primary Examiner—Mimosa De

(74) *Attorney, Agent, or Firm*—Audrey A. Millemann;
Weintraub Genshlea et al.

(57) **CLAIM**

The ornamental design for a task chair, as shown and described.

DESCRIPTION

FIG. 1 is a perspective view of a task chair, looking toward the right front corner, showing my new design in full lines;

FIG. 2 is a front view thereof;

FIG. 3 is a back view thereof;

FIG. 4 is a right side elevation view thereof;

FIG. 5 is a top view thereof; and,

FIG. 6 is a bottom view thereof.

The broken lines shown in the drawing are for illustrative purposes only and form no part of the claimed design.

1 Claim, 5 Drawing Sheets

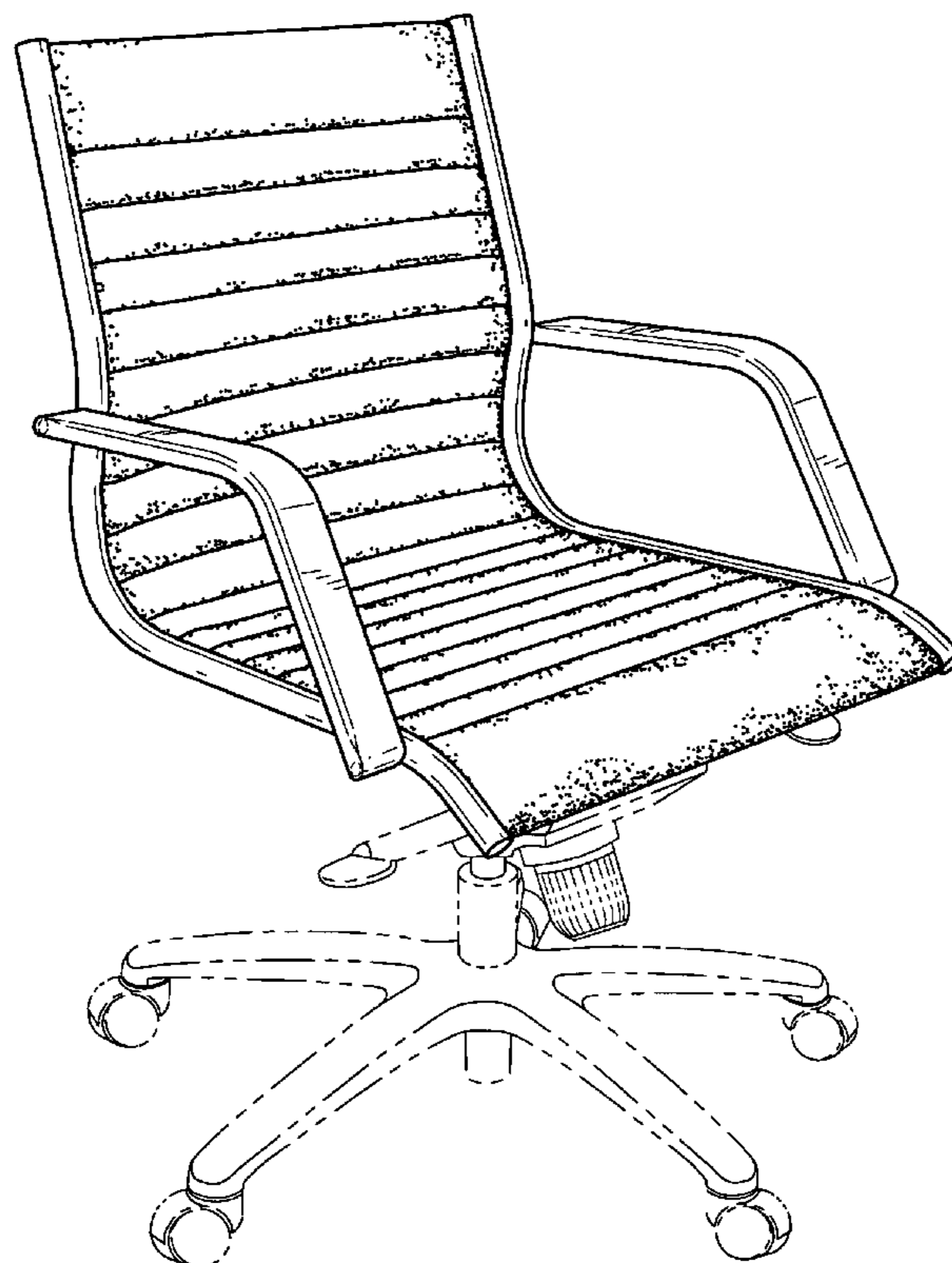


FIG. 1

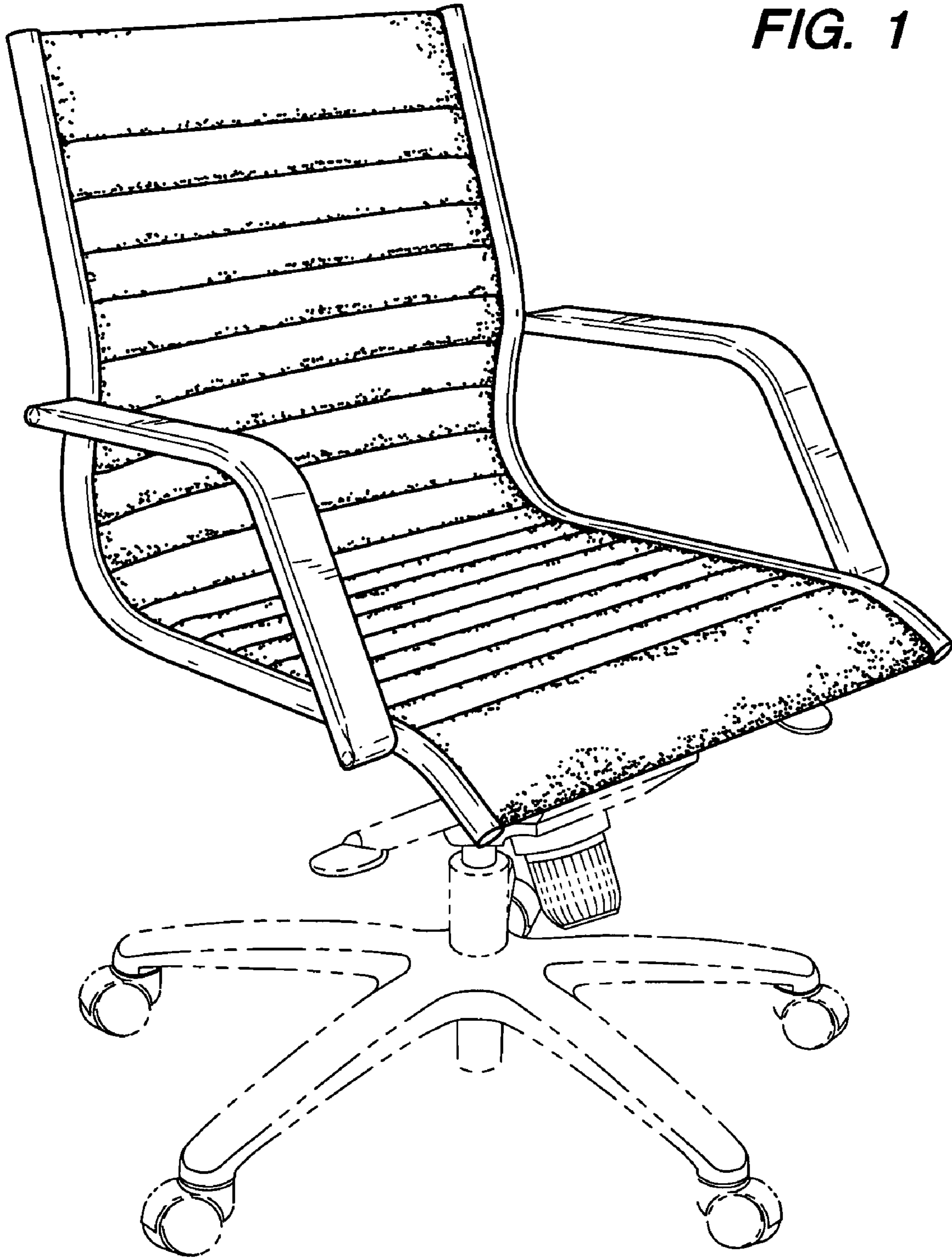


FIG. 2

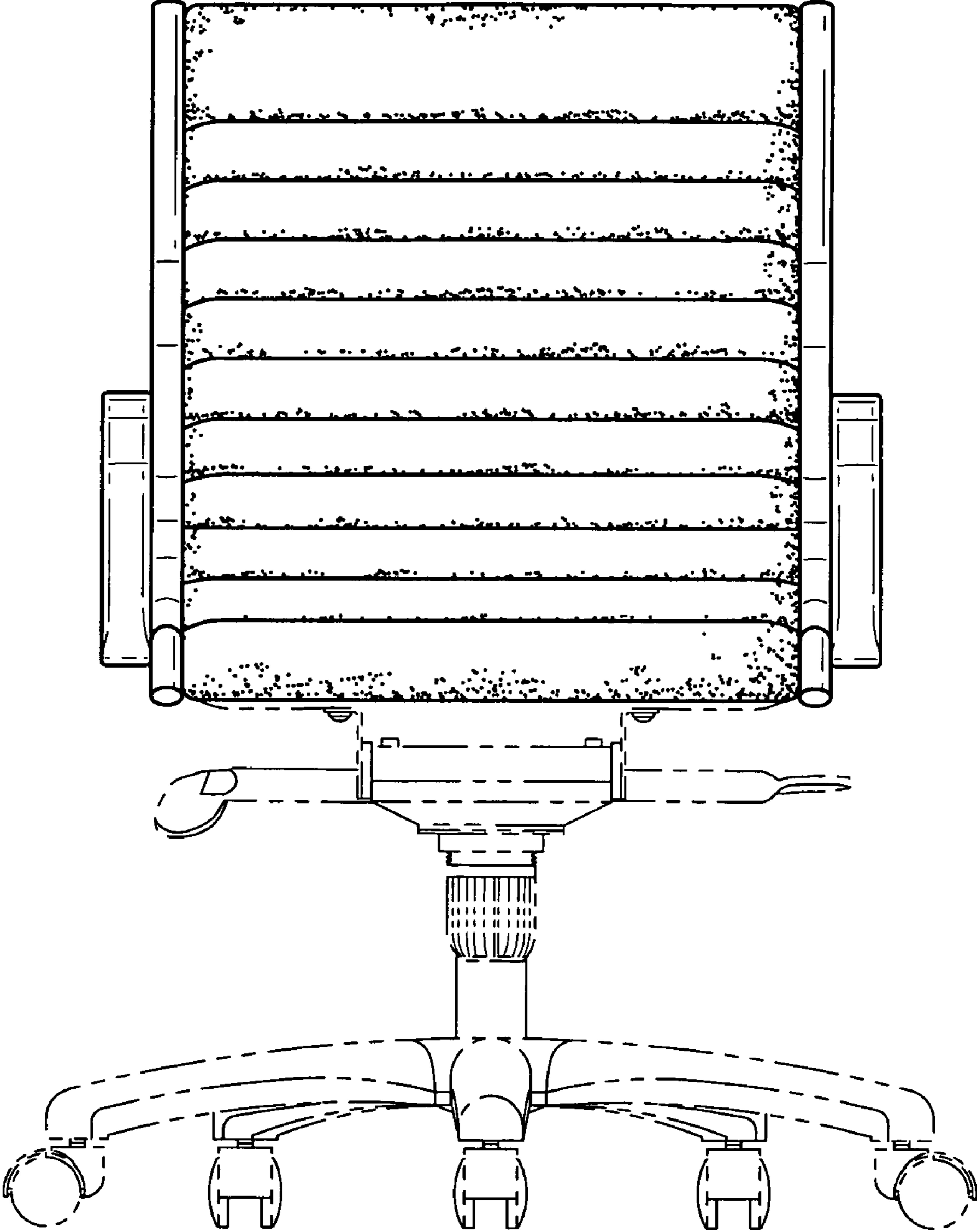


FIG. 3

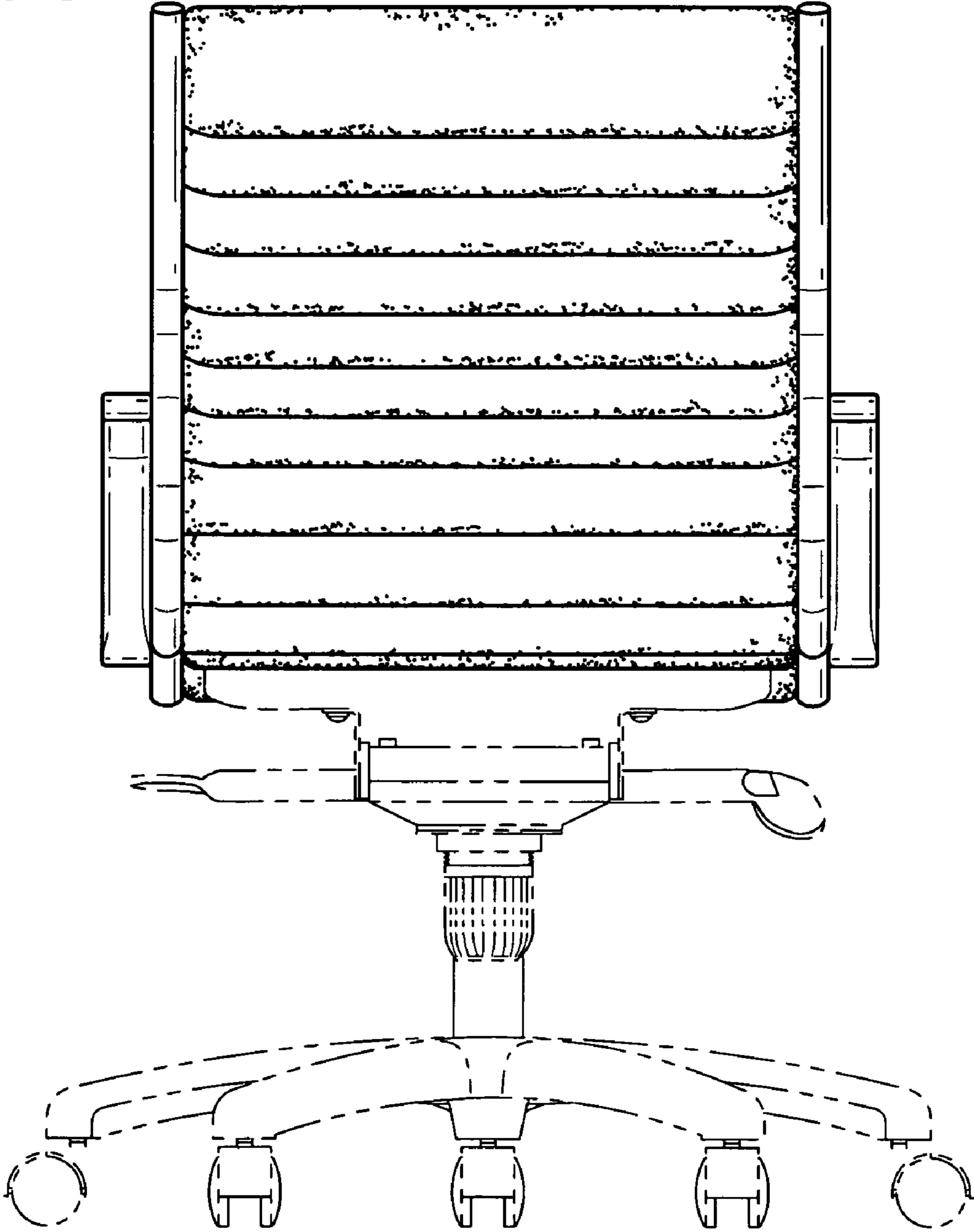
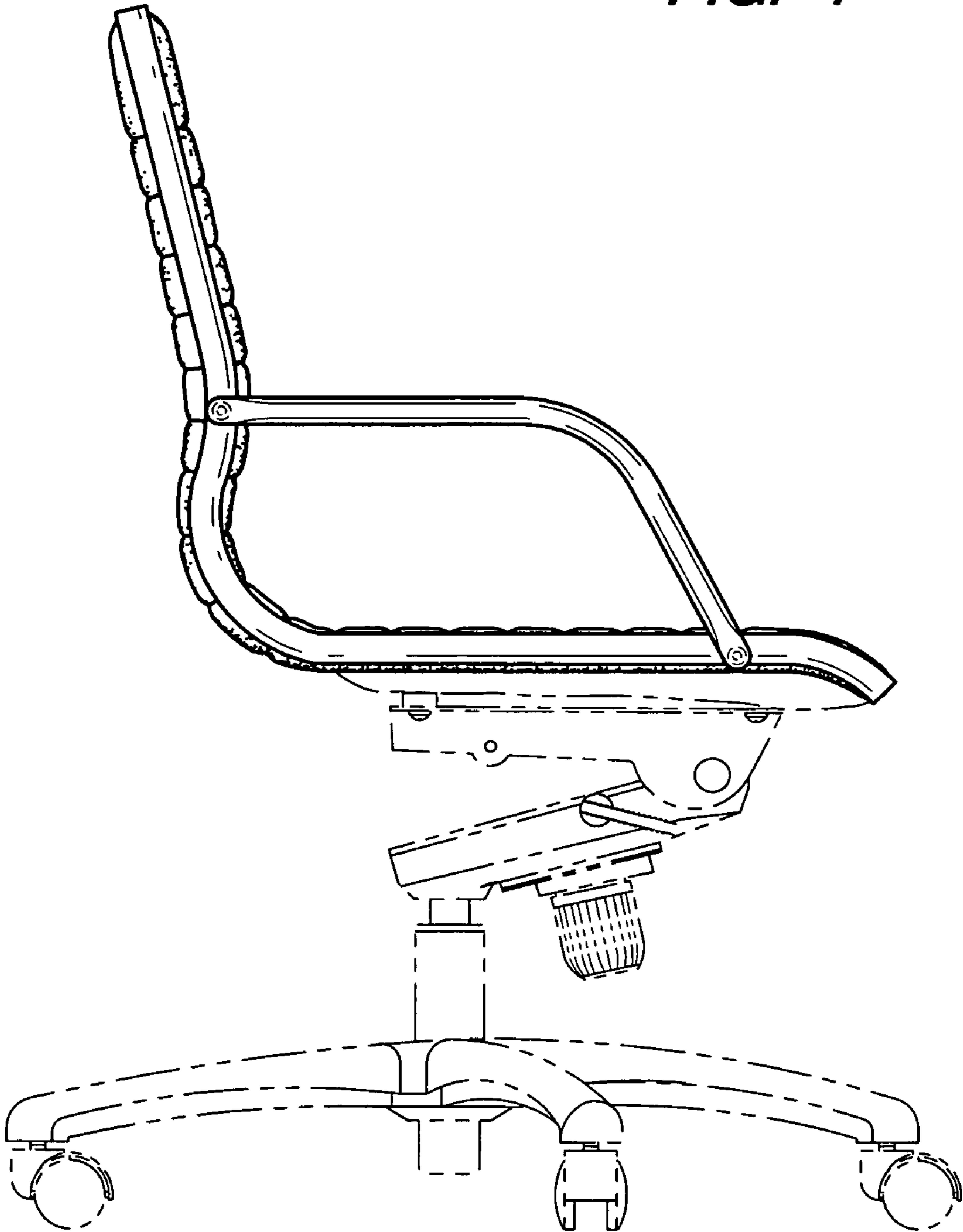


FIG. 4



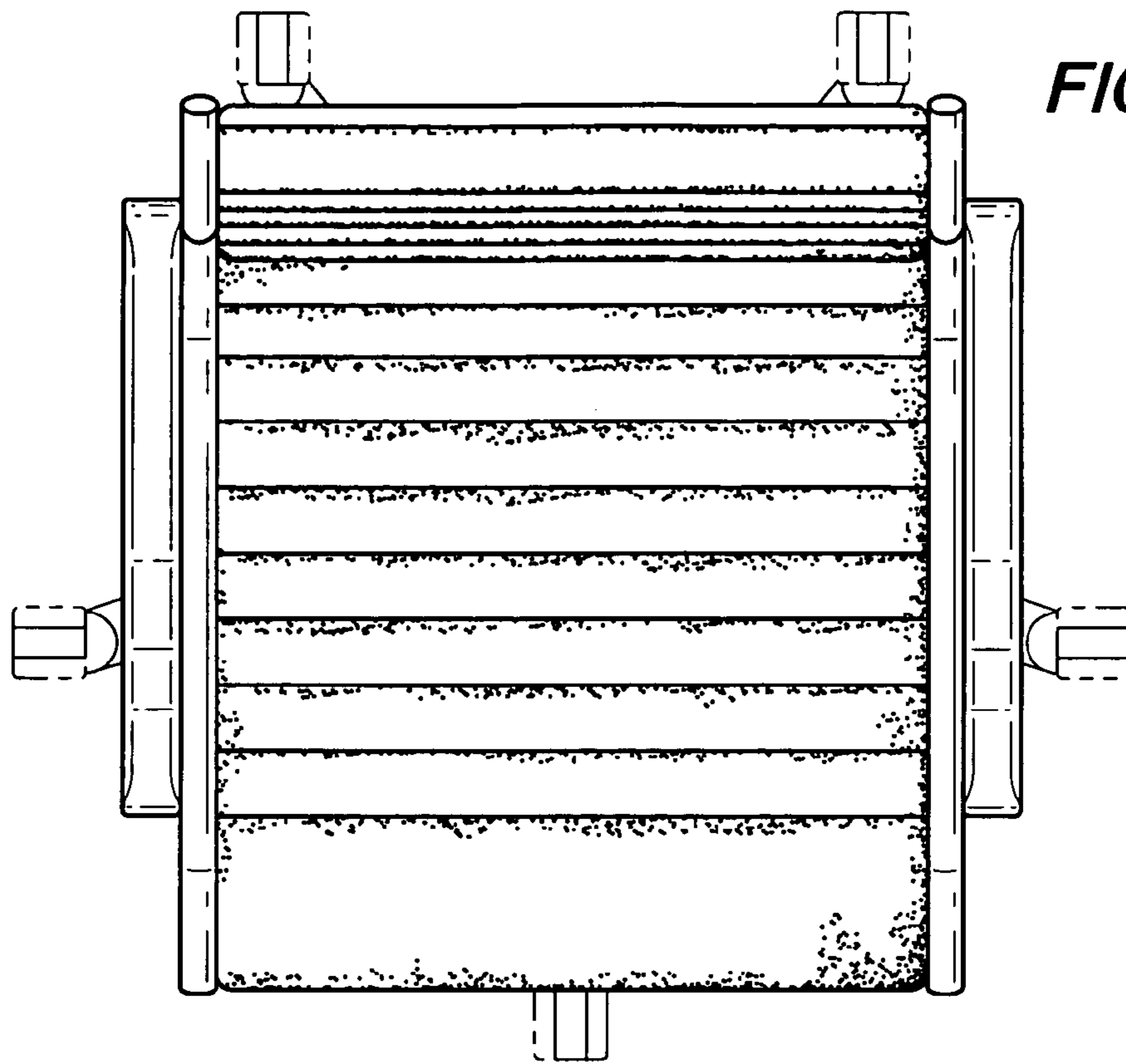


FIG. 5

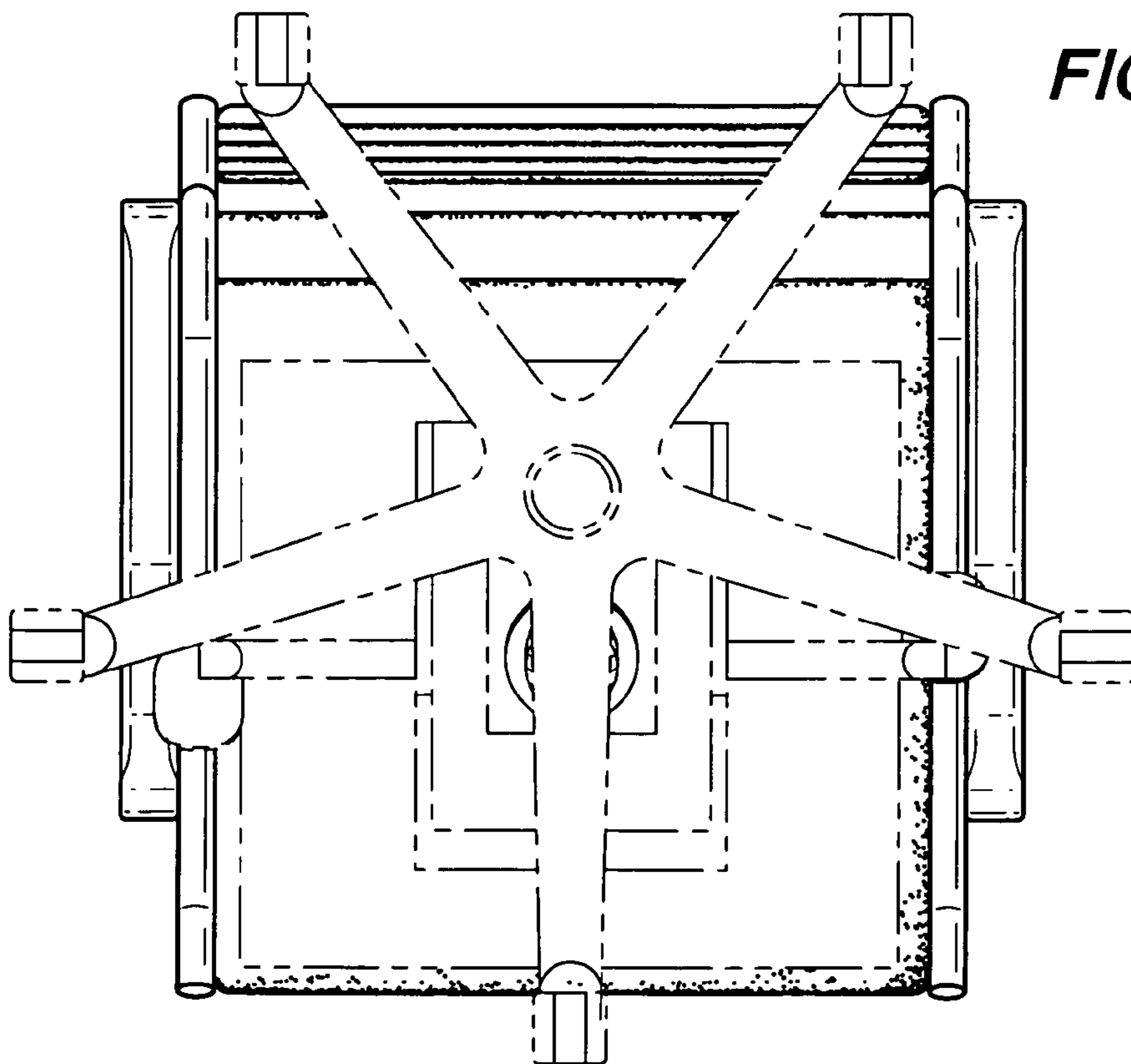


FIG. 6