



US00D611737S

(12) **United States Design Patent**  
**Miller et al.**

(10) **Patent No.:** **US D611,737 S**  
(45) **Date of Patent:** **\*\* Mar. 16, 2010**

(54) **SIDE TABLE**

(75) Inventors: **Jeffrey F. Miller**, New York, NY (US);  
**Yoshihisa Konishi**, Glenrock, NJ (US)  
(73) Assignee: **ITOKI Design Corporation**, New York,  
NY (US)  
(\*\*) Term: **14 Years**

(21) Appl. No.: **29/342,024**

(22) Filed: **Aug. 17, 2009**

(51) **LOC (9) Cl.** ..... **06-03**

(52) **U.S. Cl.** ..... **D6/486**

(58) **Field of Classification Search** ..... D6/480-489,  
D6/511, 495-499, 429-431; 108/150, 152,  
108/153.1, 157.1, 161; 248/188, 188.1, 188.7,  
248/188.8

See application file for complete search history.

(56) **References Cited**

**U.S. PATENT DOCUMENTS**

D178,425 S *	7/1956	Pollard	.....	D6/349
D219,520 S *	12/1970	Gilbert	.....	D6/483
D328,000 S *	7/1992	Weaver	.....	D6/485
D341,507 S *	11/1993	Harvey et al.	.....	D6/482
D441,224 S *	5/2001	Scheper et al.	.....	D6/486
D515,850 S *	2/2006	Duke	.....	D6/483

\* cited by examiner

*Primary Examiner*—Janice E Seeger

(74) *Attorney, Agent, or Firm*—Bruzga & Associates; Charles  
E. Bruzga

(57) **CLAIM**

The ornamental design for a side table, as shown and  
described.

**DESCRIPTION**

FIG. 1 is a top right side perspective view of the side table  
showing our new design;

FIG. 2 is a bottom right side perspective view of the side table  
showing our new design;

FIG. 3 is a rear view of the side table showing our new design;

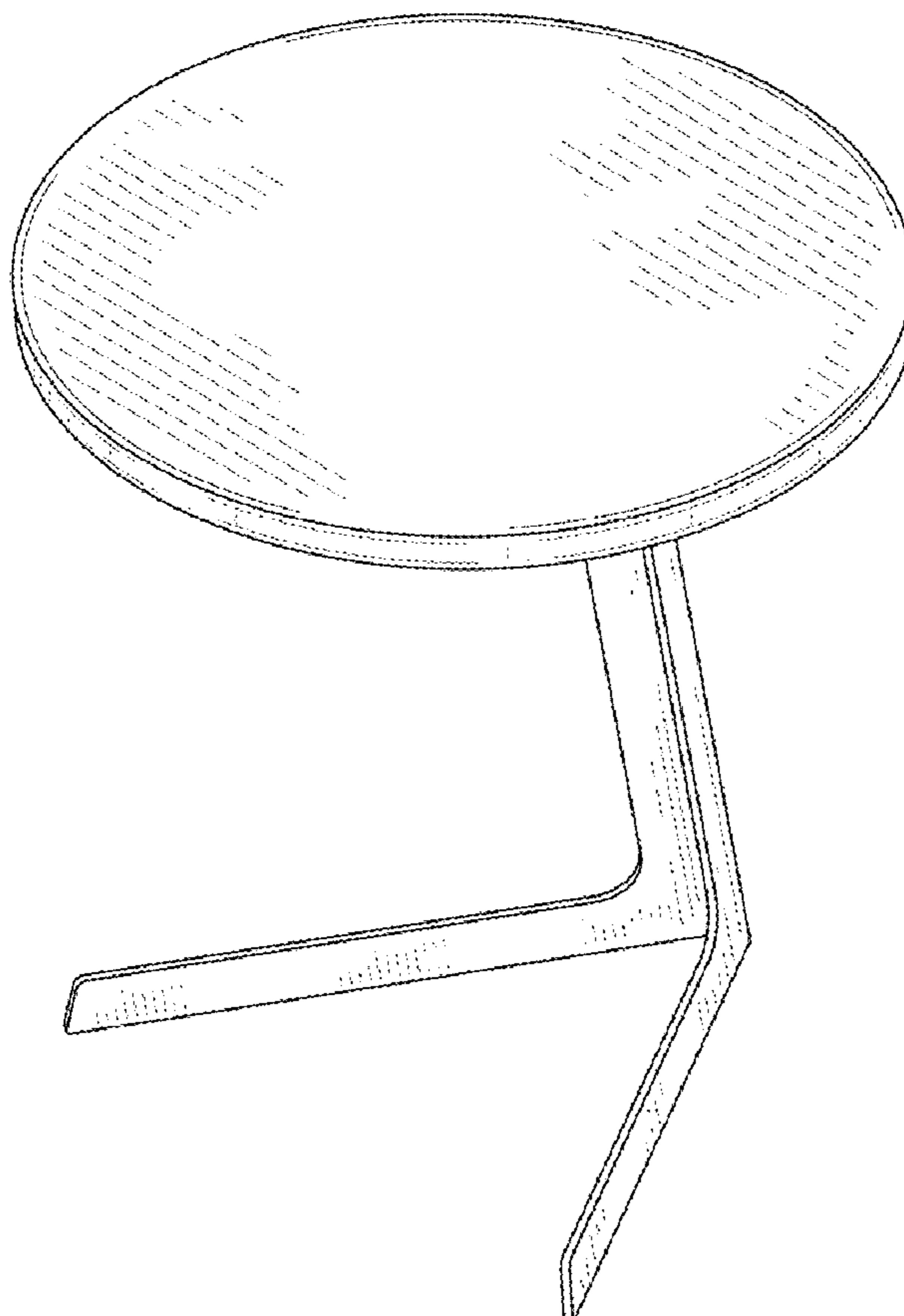
FIG. 4 is a front view of the side table showing our new  
design;

FIG. 5 is a right side view of the side table, with a left side  
view being omitted since it is a mirror image of the right side  
view from side-to-side;

FIG. 6 is a top view of the side table showing our new design;  
and,

FIG. 7 is a bottom view of the side table showing our new  
design.

**1 Claim, 7 Drawing Sheets**



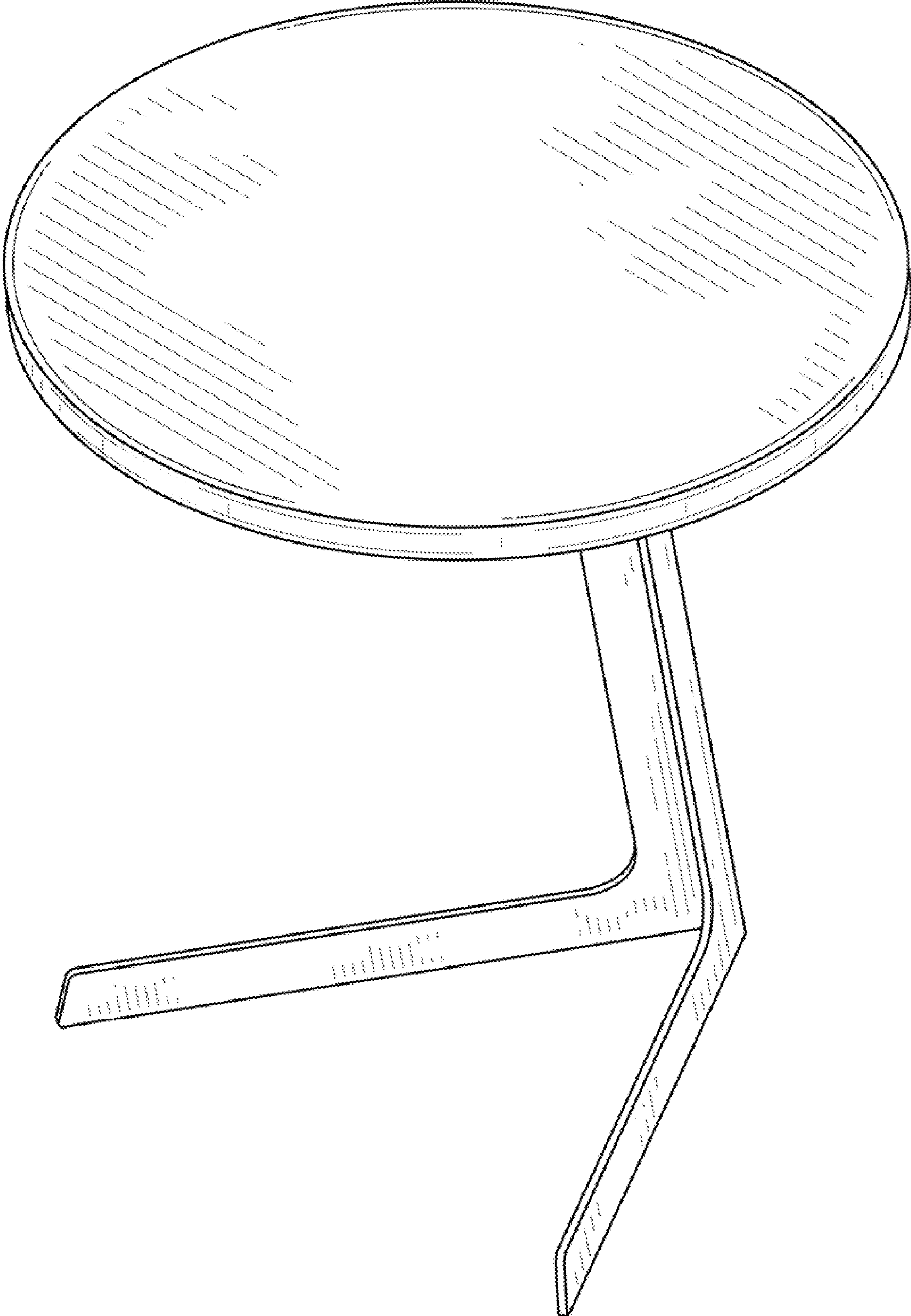


FIG. 1

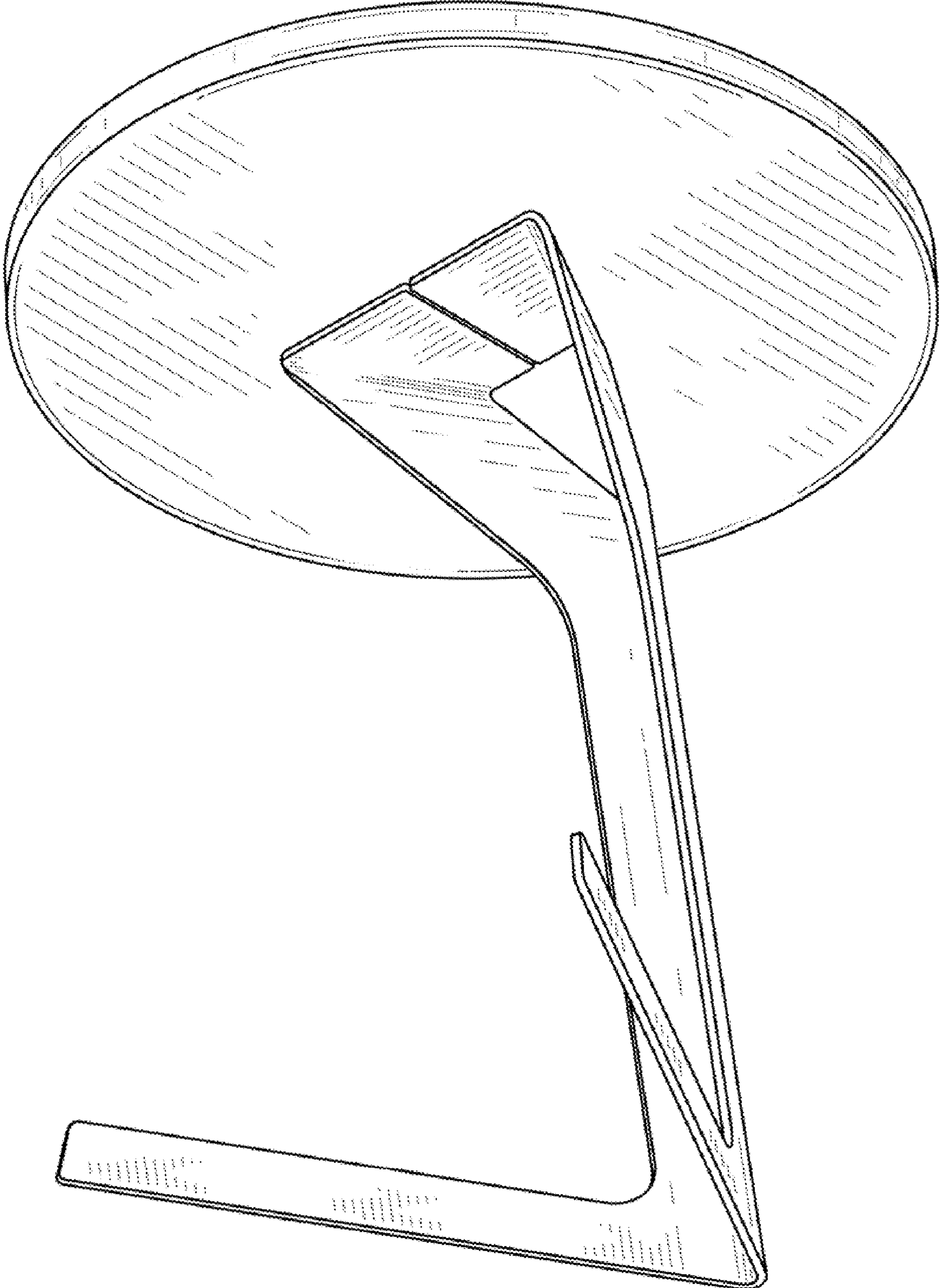


FIG. 2

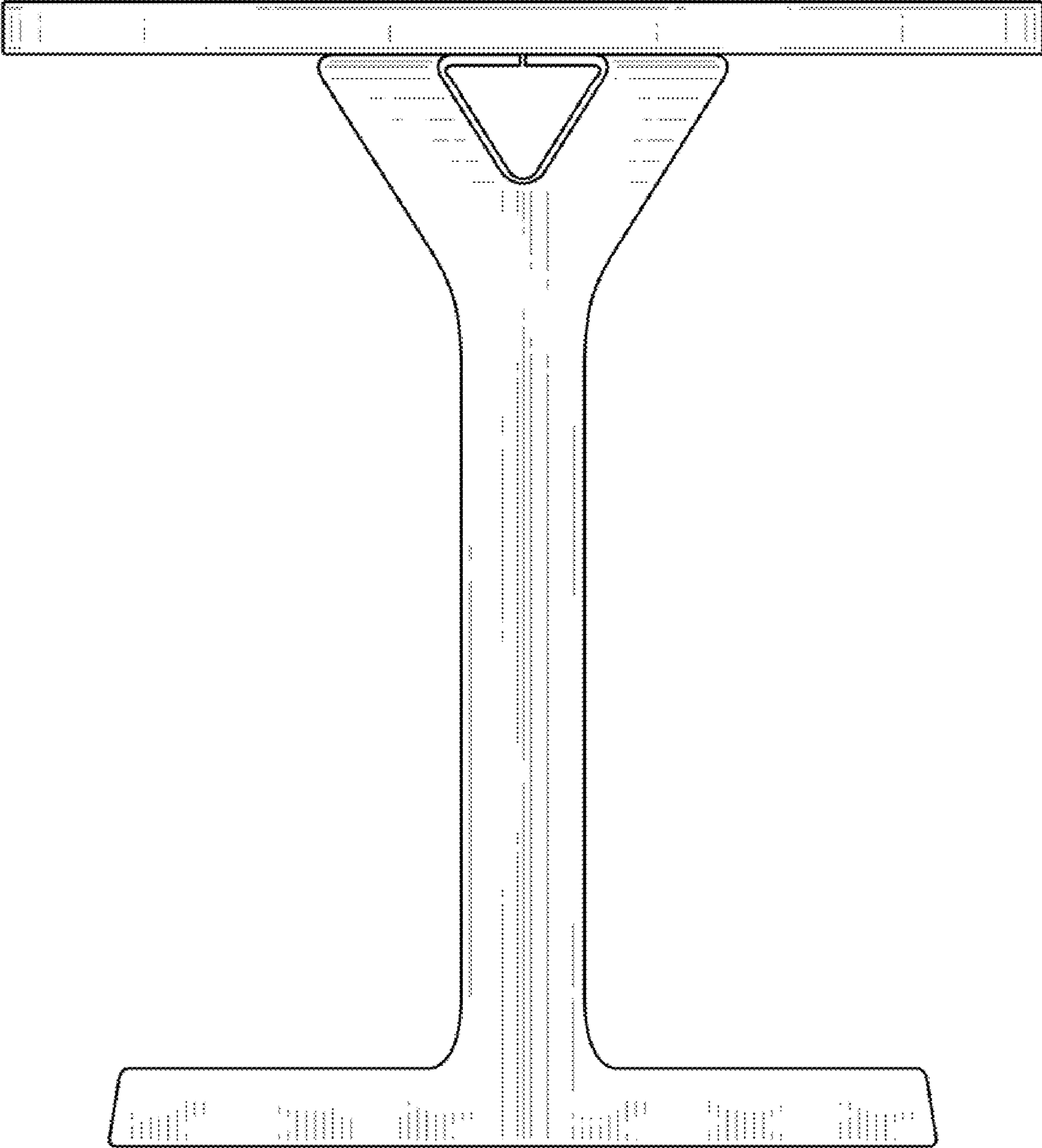


FIG. 3

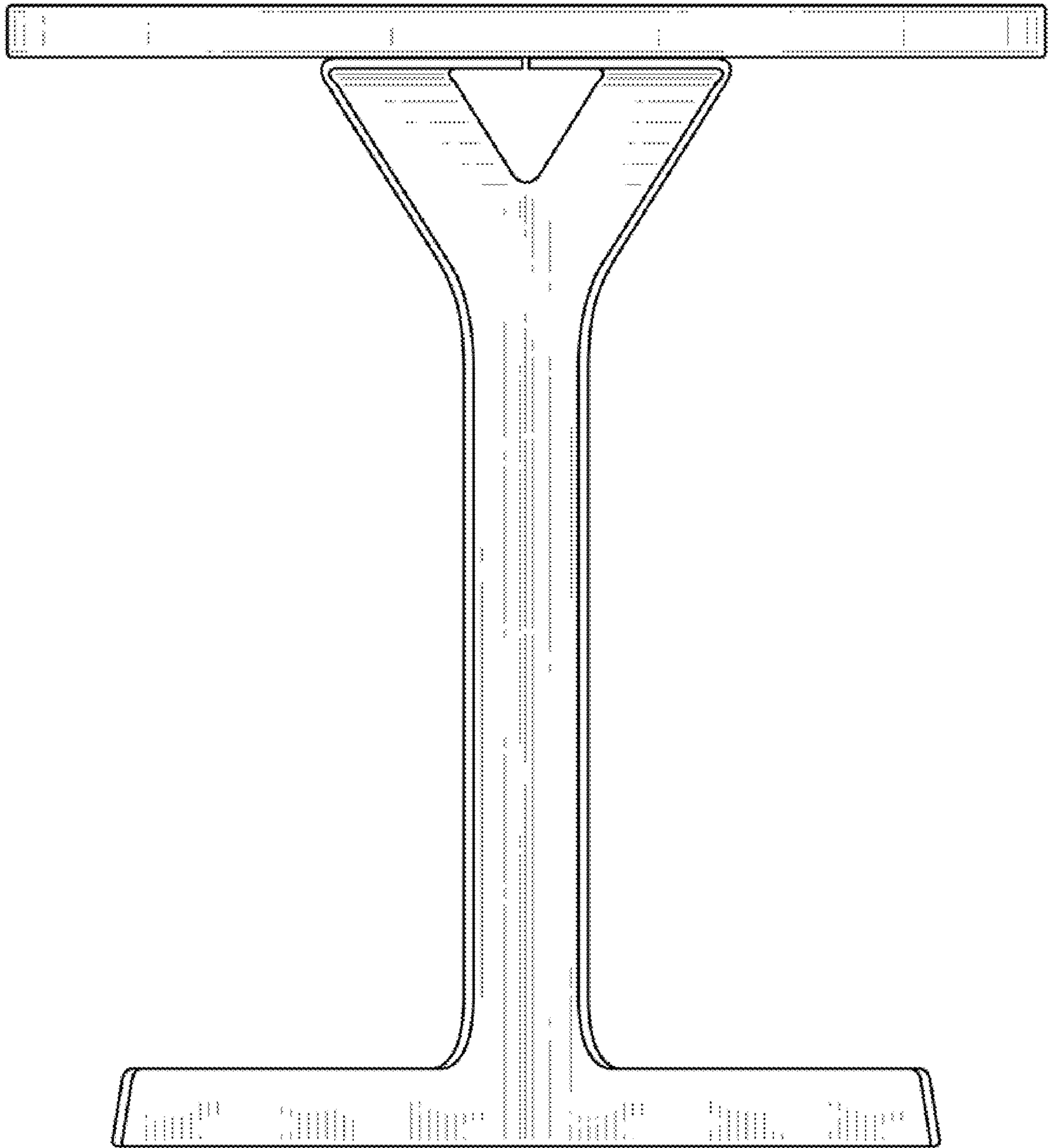


FIG. 4

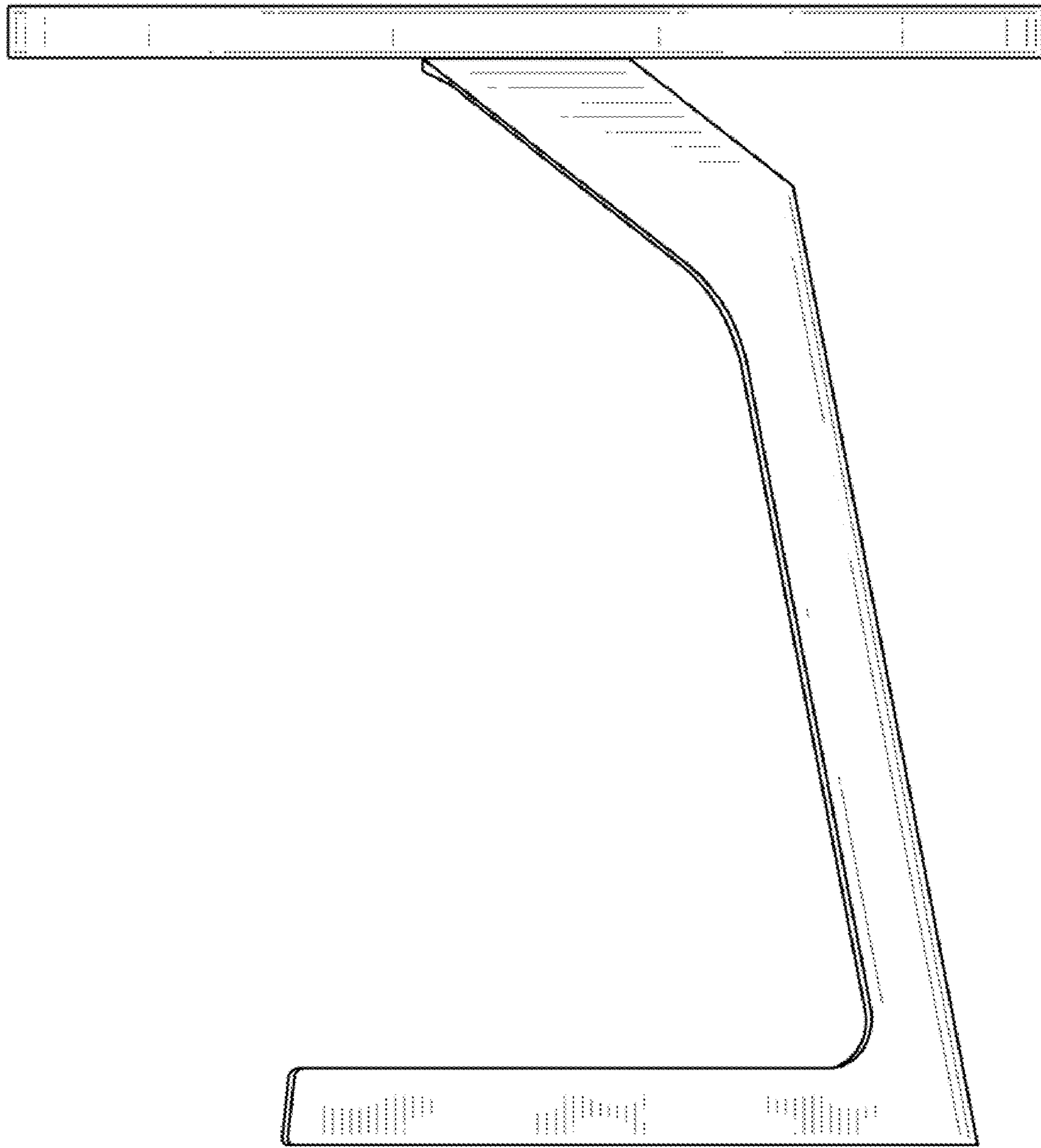


FIG. 5

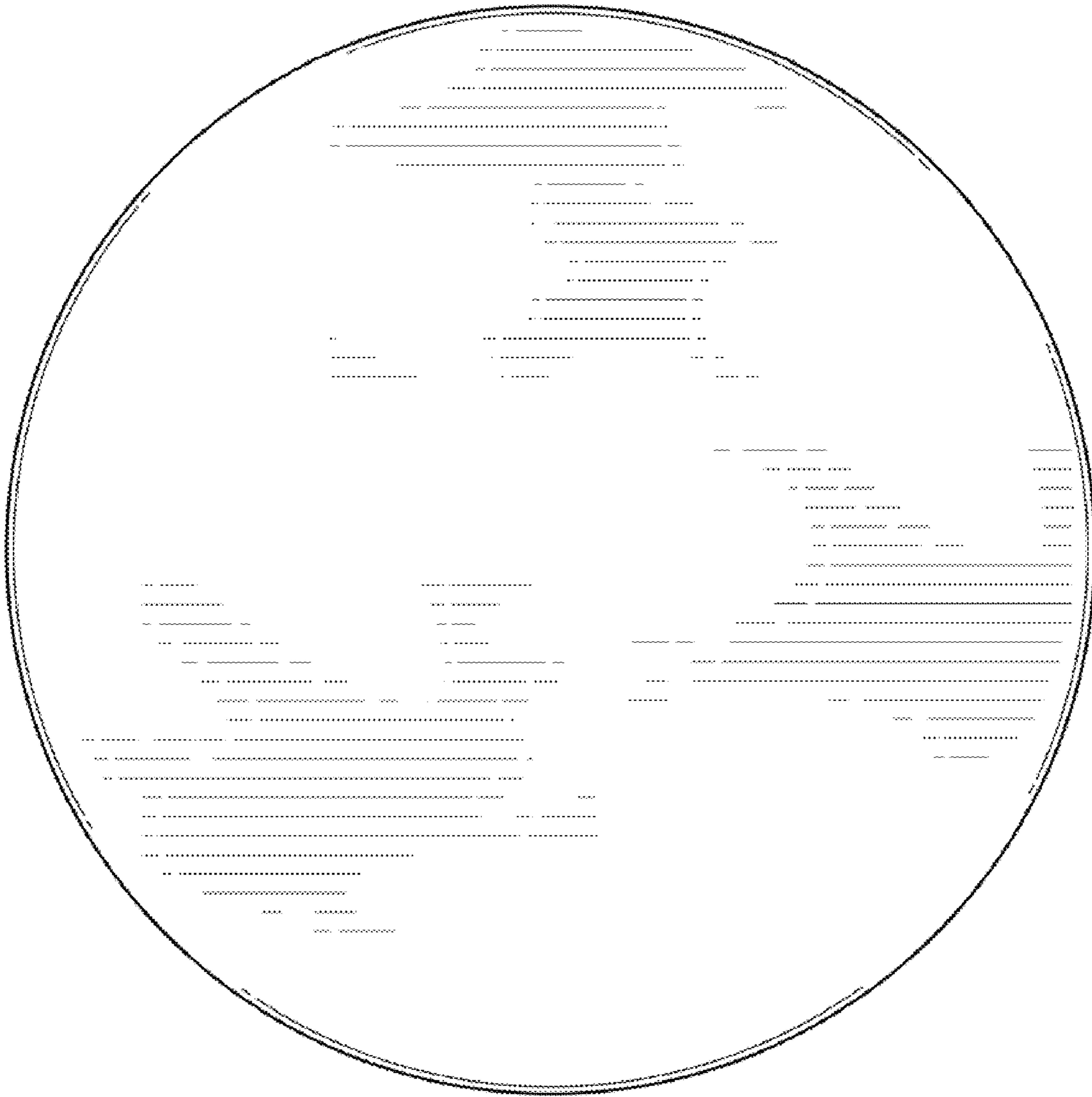


FIG. 6

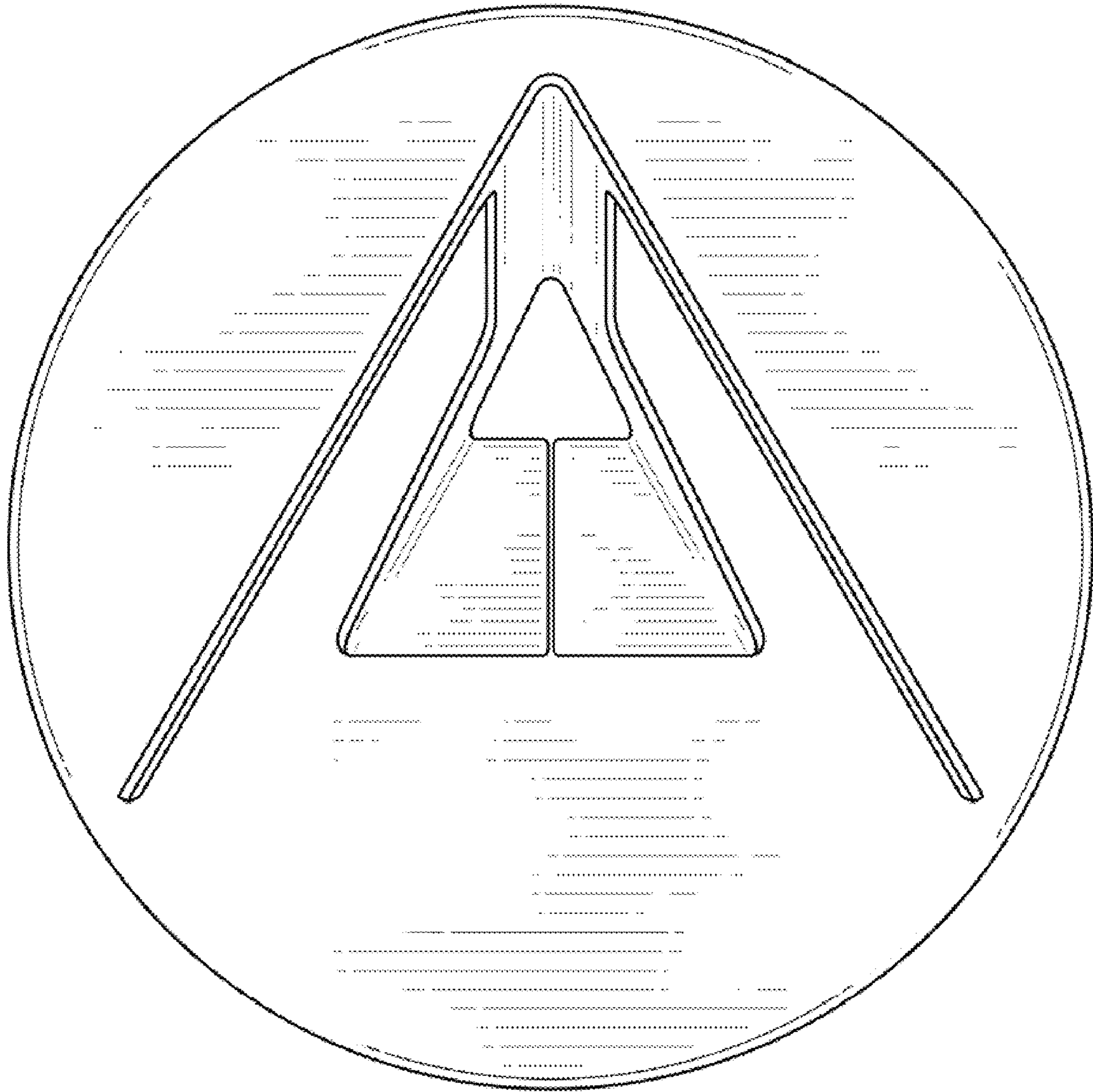


FIG. 7