



US00D611735S

(12) **United States Design Patent**
Stukenberg

(10) **Patent No.:** **US D611,735 S**
(45) **Date of Patent:** **** Mar. 16, 2010**

- (54) **TABLE**
- (75) Inventor: **Joseph R. Stukenberg**, Minneapolis, MN (US)
- (73) Assignee: **Target Brands, Inc.**, Minneapolis, MN (US)
- (**) Term: **14 Years**
- (21) Appl. No.: **29/332,961**
- (22) Filed: **Feb. 27, 2009**

- D312,177 S 11/1990 Walter et al.
- D314,090 S 1/1991 Stephens et al.
- D314,286 S 2/1991 Glassenberg
- D314,482 S 2/1991 Walter et al.
- D315,651 S 3/1991 Citterio et al.
- D318,194 S 7/1991 Terrell et al.
- D319,934 S 9/1991 Terrell et al.
- D321,997 S 12/1991 Inman
- D322,188 S 12/1991 Leis et al.
- 5,090,725 A 2/1992 Feldner
- D325,830 S 5/1992 Cury
- D326,965 S 6/1992 Allen

- (51) **LOC (9) Cl.** **06-03**
- (52) **U.S. Cl.** **D6/484; D6/422**
- (58) **Field of Classification Search** D6/480-489,
D6/429-431, 511, 495, 496, 432, 436, 422;
108/150, 151, 152, 153.1, 157.1, 161; 248/188,
248/188.1, 188.8

See application file for complete search history.

(56) **References Cited**

U.S. PATENT DOCUMENTS

- D174,407 S 4/1955 Anderle
- D216,715 S 3/1970 Dottinger
- D220,704 S * 5/1971 Kramer D6/484
- D242,102 S * 11/1976 Stirling D6/484
- D244,114 S * 4/1977 Neff D6/484
- 4,035,941 A 7/1977 Deffner
- 4,186,666 A 2/1980 Honickman
- 4,191,298 A 3/1980 Broudy
- D263,358 S 3/1982 Winter et al.
- 4,324,076 A 4/1982 Honickman
- 4,336,886 A 6/1982 Azoulay et al.
- D277,626 S 2/1985 Evans
- 4,508,231 A 4/1985 Honickman
- 4,596,195 A 6/1986 Wenger
- D289,478 S 4/1987 Vogtherr
- 4,655,354 A 4/1987 Cohen
- D290,791 S 7/1987 Kester
- D294,543 S 3/1988 Rekow
- D301,413 S 6/1989 Rosen
- 4,919,282 A 4/1990 Duff et al.
- 4,932,539 A 6/1990 Abinanti

(Continued)

OTHER PUBLICATIONS

Lozier Corporation Catalog, Wood Counters & Showcases, pages thereof marked with various dates, pp. 901-909.

(Continued)

Primary Examiner—Janice E Seeger
(74) *Attorney, Agent, or Firm*—Fish & Richardson P.C.

(57) **CLAIM**

The ornamental design for a table, as shown and described.

DESCRIPTION

FIG. 1 is a top, perspective view of a table, according to one embodiment;

FIG. 2 is a bottom, perspective view thereof;

FIG. 3 is a top view thereof;

FIG. 4 is a bottom view thereof;

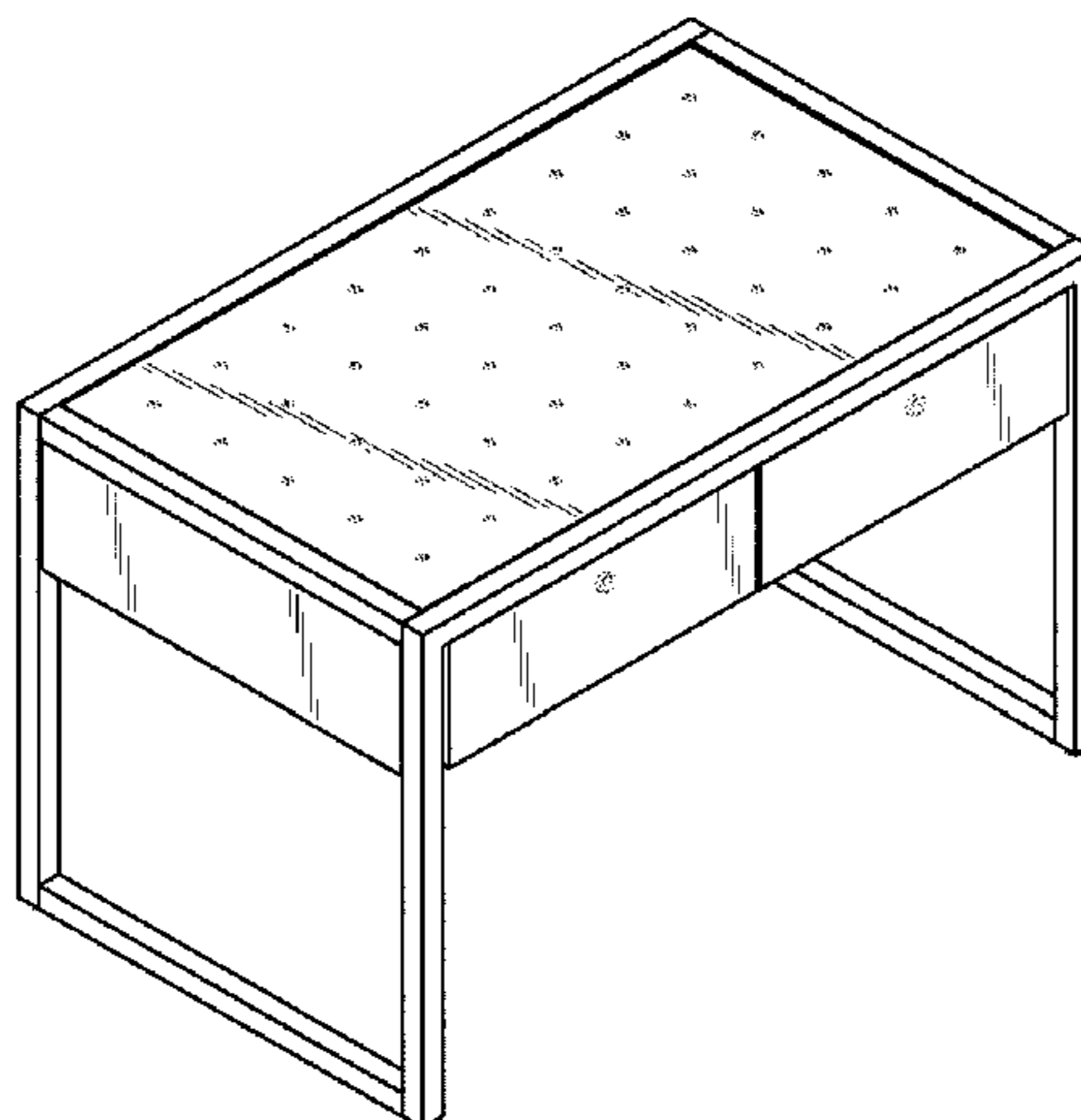
FIG. 5 is a front view thereof;

FIG. 6 is a back view thereof; and,

FIG. 7 is a right side view thereof, a left side view thereof being an identical, mirror image of the right side view.

The broken lines are for illustrative purposes only and form no part of the claimed design.

1 Claim, 4 Drawing Sheets



US D611,735 S

Page 2

U.S. PATENT DOCUMENTS

D327,788 S 7/1992 Allen
D328,825 S 8/1992 Allen
D331,160 S 11/1992 Brunner
D331,331 S 12/1992 Brunner
D335,052 S 4/1993 Barbuto et al.
D364,292 S 11/1995 Good
5,529,192 A 6/1996 Conen et al.
D371,701 S * 7/1996 Jolly D6/484
D379,886 S 6/1997 Towfigh
D394,360 S 5/1998 Geier et al.
D424,320 S 5/2000 Klein et al.
D443,442 S * 6/2001 Hutton D6/484
D450,486 S 11/2001 Stafford et al.

D450,948 S 11/2001 Stafford et al.
D451,300 S 12/2001 Stafford et al.
D510,492 S 10/2005 Sakurai et al.
D567,536 S * 4/2008 Paterson D6/436
D584,542 S * 1/2009 Martin et al. D6/484
D587,940 S 3/2009 Crowley
D603,627 S * 11/2009 Wen D6/484

OTHER PUBLICATIONS

Joseph R. Stukenberg et al., Feature Table, U.S. Appl. No. 29,332,960, filed Feb. 27, 2009.
Joseph R. Stukenberg, Feature Table, U.S. Appl. No. 29/332,959, filed Feb. 27, 2009.

* cited by examiner

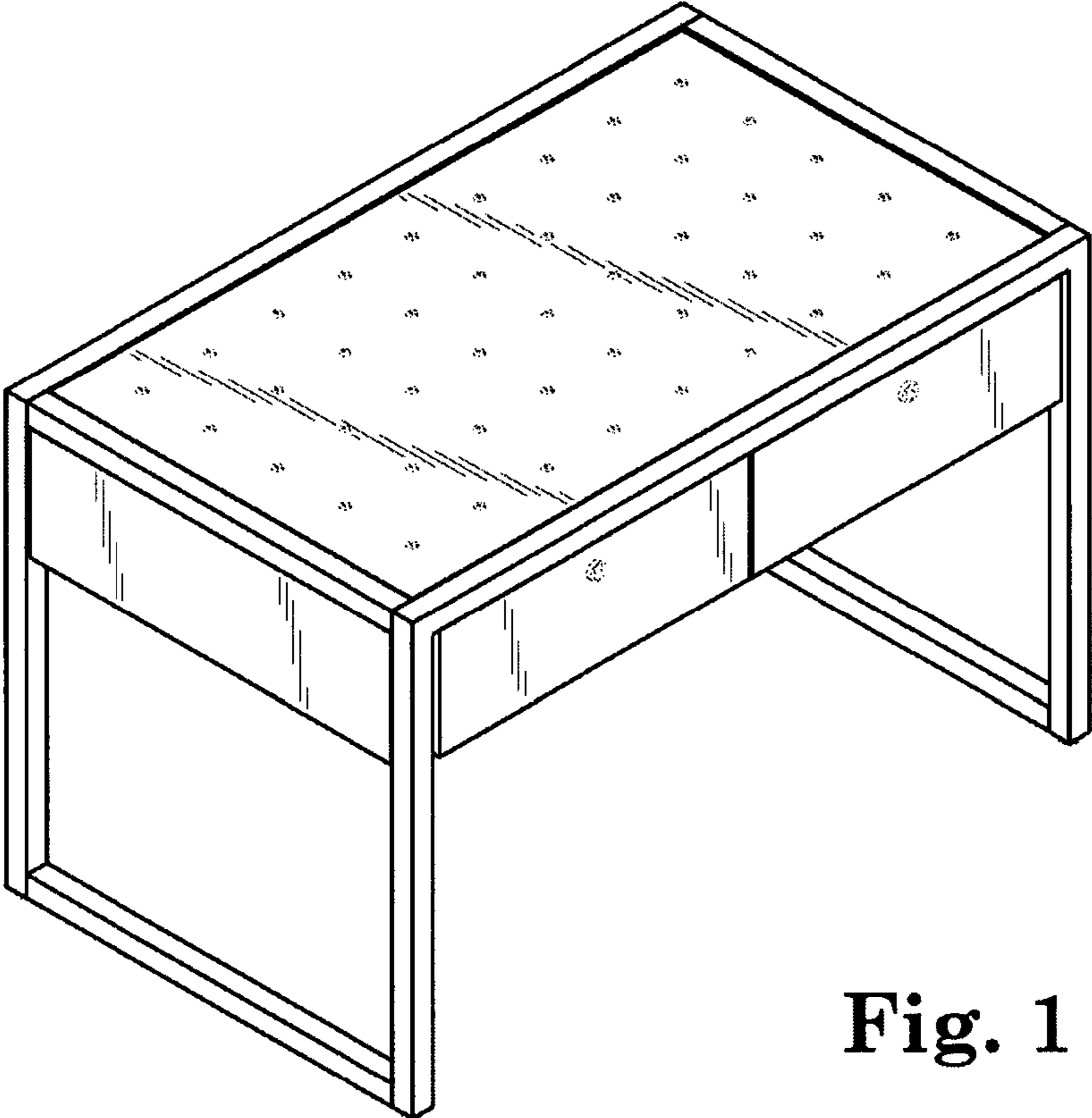


Fig. 1

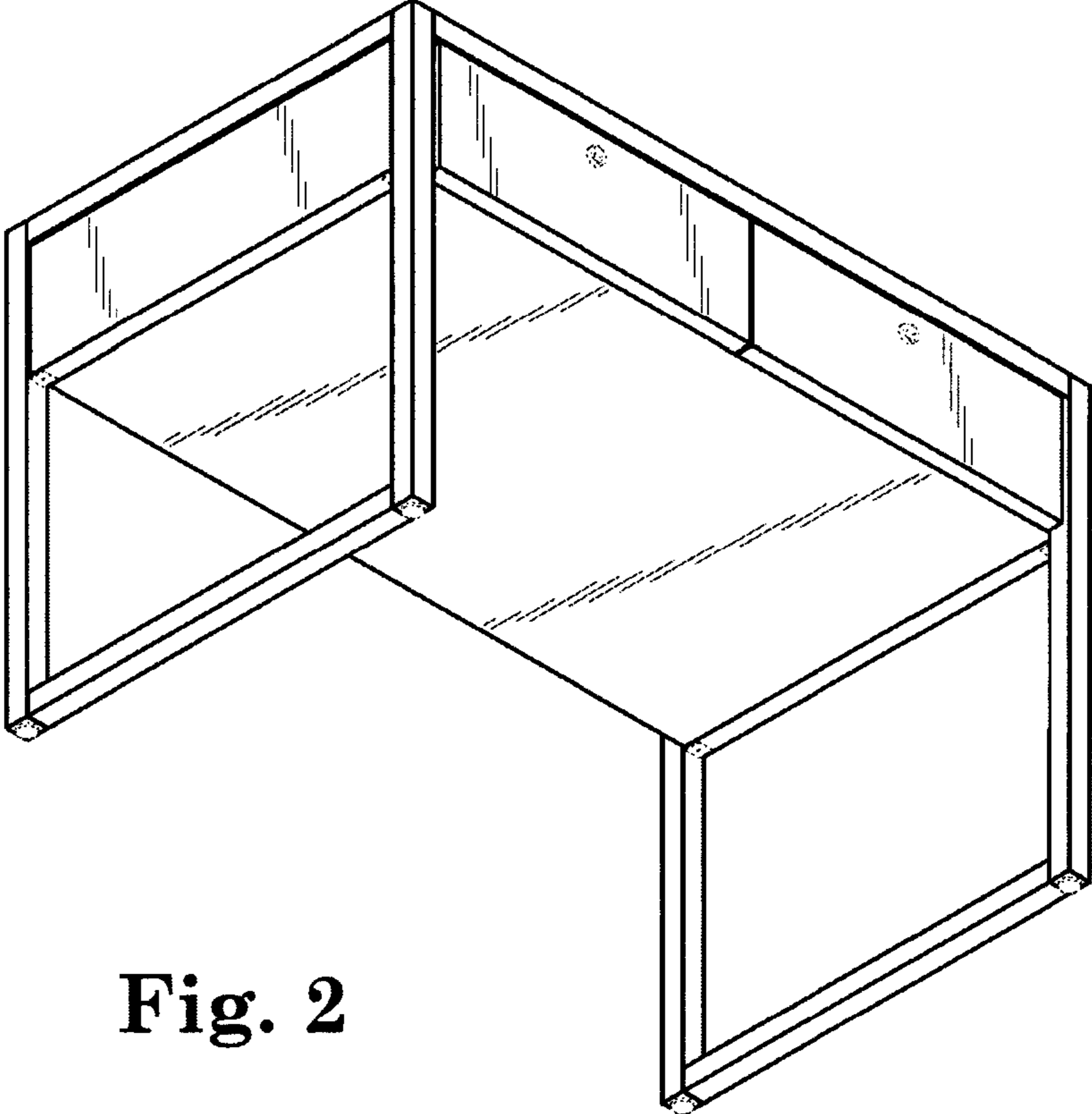


Fig. 2

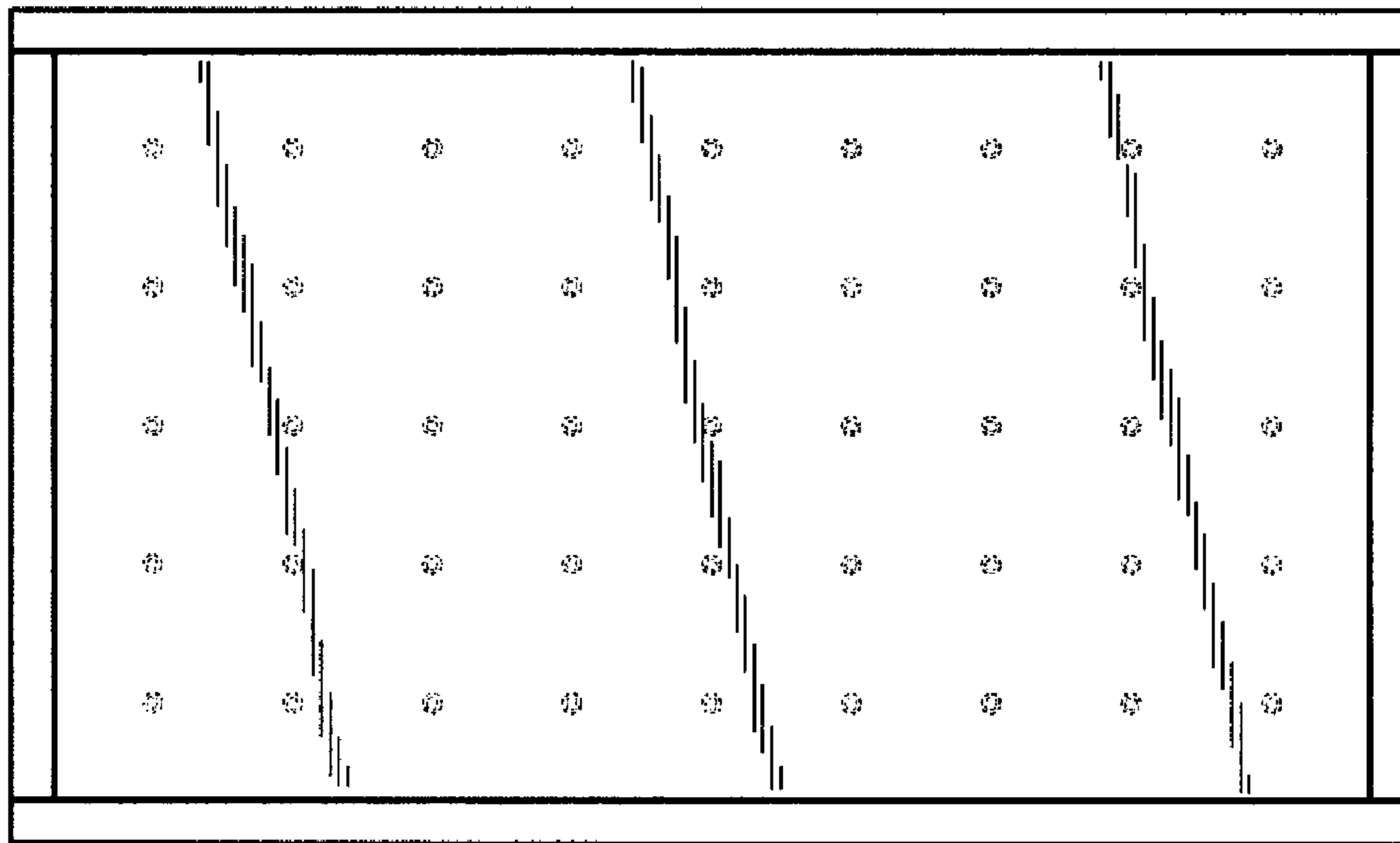


Fig. 3

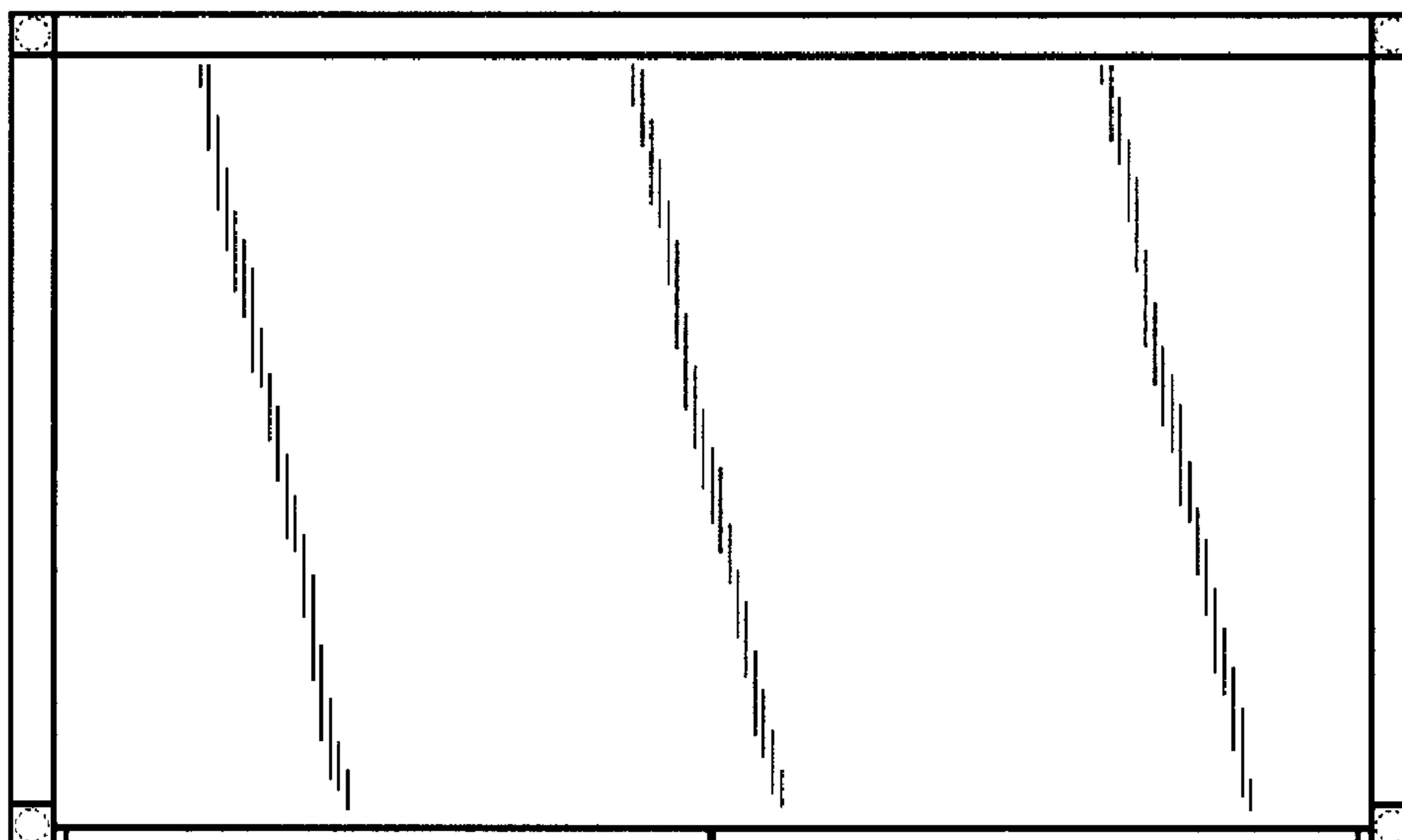


Fig. 4

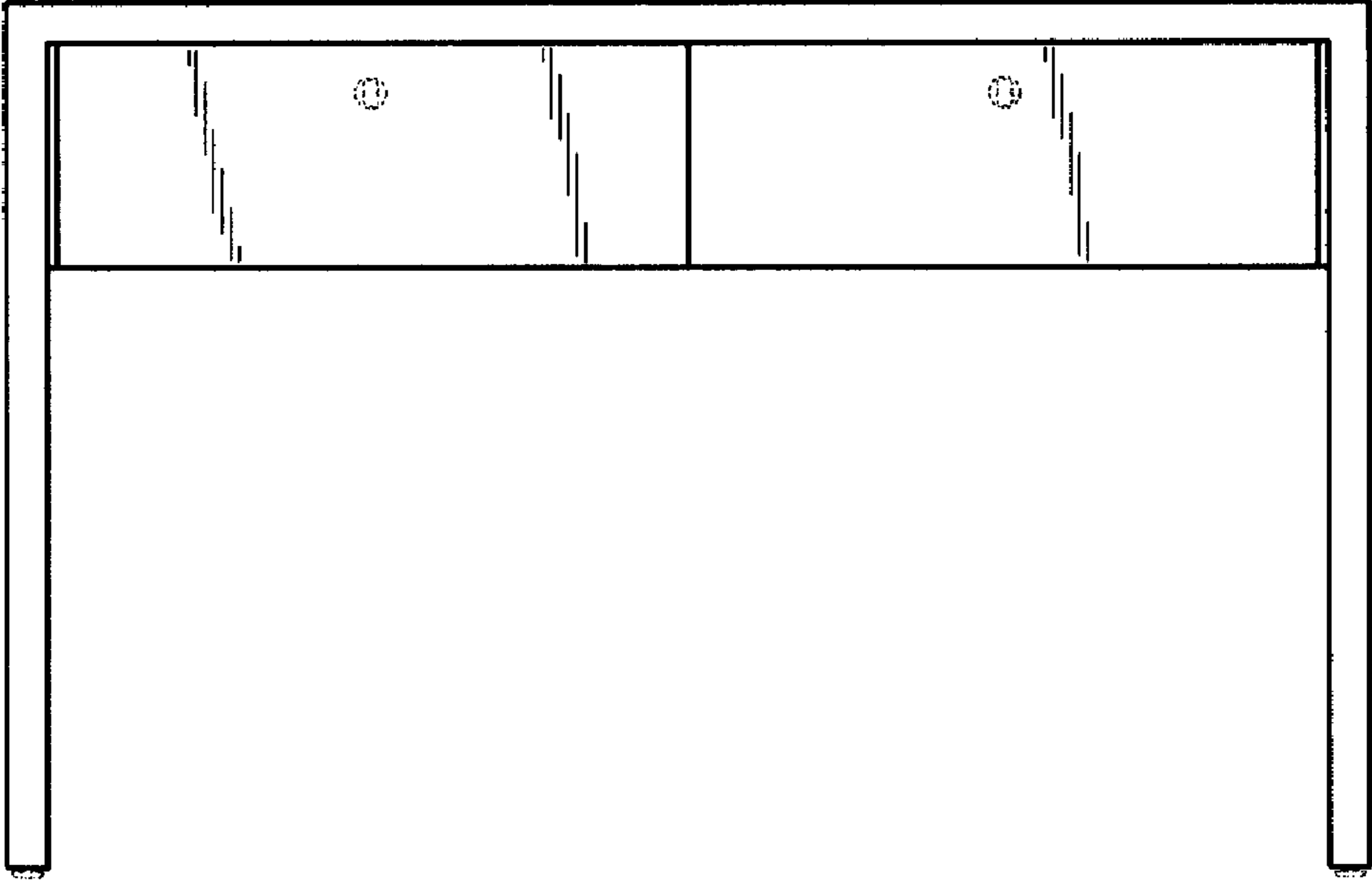


Fig. 5

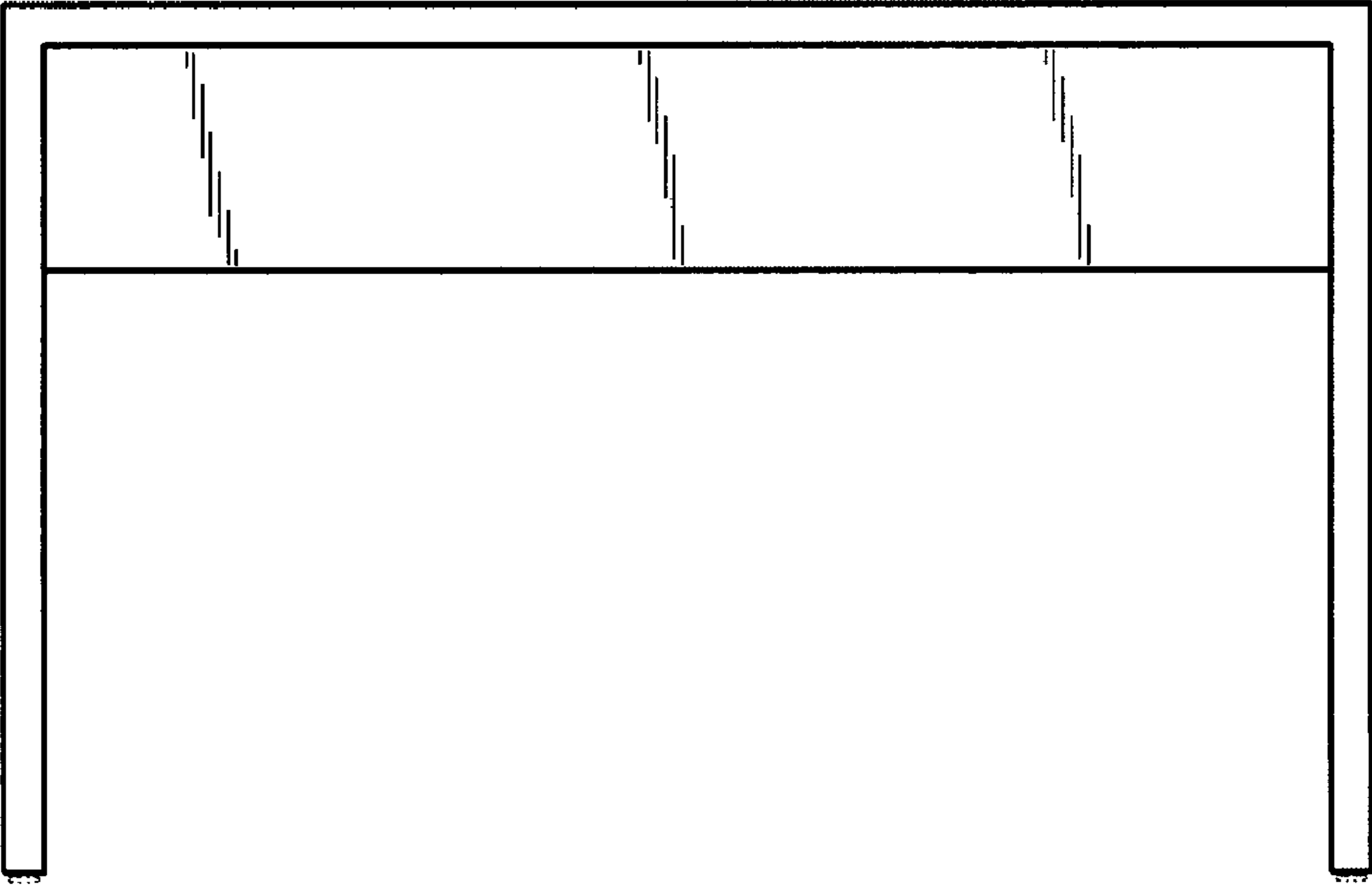


Fig. 6

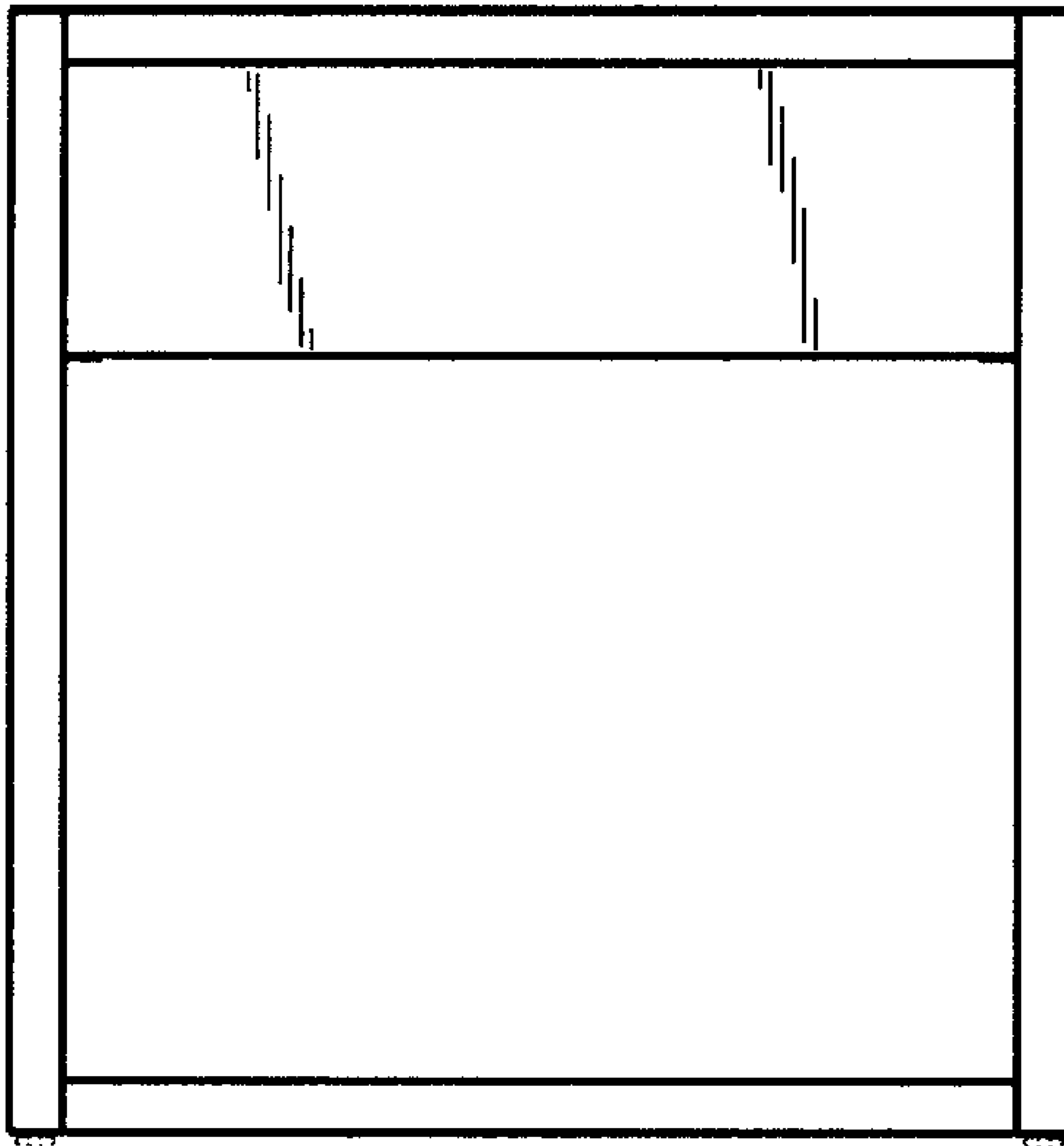


Fig. 7