



US00D611734S

(12) **United States Design Patent**  
**Stukenberg et al.**

(10) **Patent No.:** **US D611,734 S**  
(45) **Date of Patent:** **\*\* Mar. 16, 2010**

(54) **FEATURE TABLE**

(75) Inventors: **Joseph R. Stukenberg**, Minneapolis, MN (US); **Robert Stoltz**, Edina, MN (US)

(73) Assignee: **Target Brands, Inc.**, Minneapolis, MN (US)

(\*\*) Term: **14 Years**

(21) Appl. No.: **29/332,960**

(22) Filed: **Feb. 27, 2009**

(51) **LOC (9) Cl.** ..... **06-03**

(52) **U.S. Cl.** ..... **D6/484**

(58) **Field of Classification Search** ..... D6/480-489,  
D6/429-431, 511, 495, 496; 108/150, 151,  
108/152, 153.1, 157.1, 161; 248/188, 188.1,  
248/188.8

See application file for complete search history.

(56) **References Cited**

**U.S. PATENT DOCUMENTS**

D174,407 S	4/1955	Anderle	
D216,715 S	3/1970	Dottinger	
D220,704 S *	5/1971	Kramer	D6/484
D242,102 S *	11/1976	Stirling	D6/484
D244,114 S *	4/1977	Neff	D6/484
4,035,941 A	7/1977	Deffner	
4,186,666 A	2/1980	Honickman	
4,191,298 A	3/1980	Broudy	
D263,358 S	3/1982	Winter et al.	
4,324,076 A	4/1982	Honickman	
4,336,886 A	6/1982	Azoulay et al.	
D277,626 S	2/1985	Evans	
4,508,231 A	4/1985	Honickman	
4,596,195 A	6/1986	Wenger	
D289,478 S	4/1987	Vogtherr	
4,655,354 A	4/1987	Cohen	
D290,791 S	7/1987	Kester	
D294,543 S	3/1988	Rekow	
D301,413 S	6/1989	Rosen	
4,919,282 A	4/1990	Duff et al.	

4,932,539 A	6/1990	Abinanti
D312,177 S	11/1990	Walter
D314,090 S	1/1991	Stephens et al.
D314,286 S	2/1991	Glassenberg
D314,482 S	2/1991	Walter et al.
D315,651 S	3/1991	Citterio et al.
D318,194 S	7/1991	Terrell et al.
D319,934 S	9/1991	Terrell et al.
D321,997 S	12/1991	Inman
D322,188 S	12/1991	Leis et al.

(Continued)

**OTHER PUBLICATIONS**

Lozier Corporation Catalog, Wood Counters & Showcases, pages thereof marked with various dates, pp. 901-909.

(Continued)

*Primary Examiner*—Janice E Seeger  
(74) *Attorney, Agent, or Firm*—Fish & Richardson P.C.

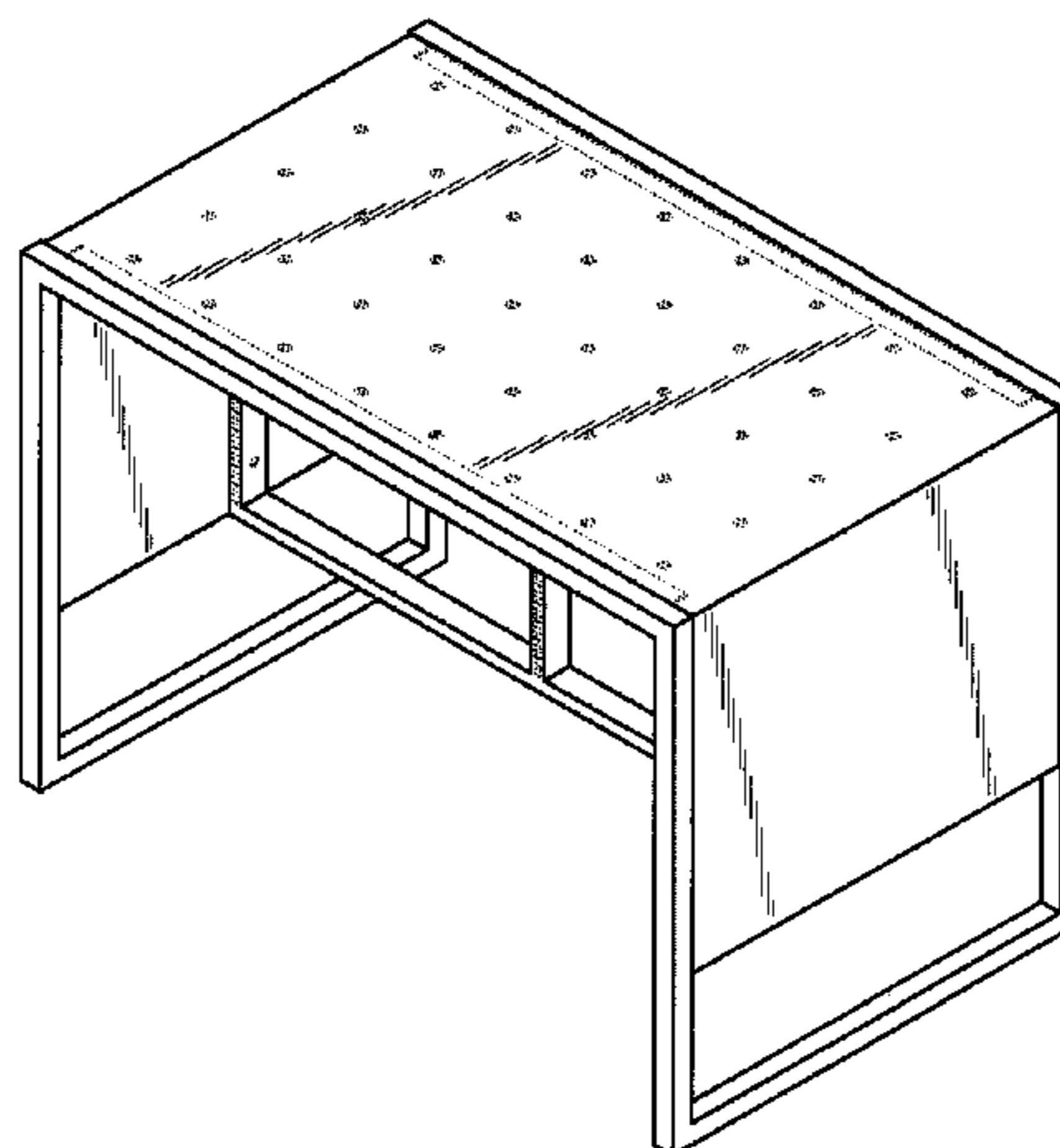
(57) **CLAIM**

The ornamental design for a feature table, as shown and described.

**DESCRIPTION**

FIG. 1 is a top, perspective view of a feature table;  
FIG. 2 is a bottom, perspective view thereof;  
FIG. 3 is a front view thereof, a back view thereof being an identical, mirror image of the front view;  
FIG. 4 is a top view thereof;  
FIG. 5 is a bottom view thereof; and,  
FIG. 6 is a right side view thereof, a left side view being an identical, mirror image of the right side view.  
The broken lines are for illustrative purposes only and form no part of the claimed design.

**1 Claim, 5 Drawing Sheets**



# US D611,734 S

Page 2

---

## U.S. PATENT DOCUMENTS

5,090,725 A 2/1992 Feldner  
D325,830 S 5/1992 Cury  
D326,965 S 6/1992 Allen  
D327,788 S 7/1992 Allen  
D328,825 S 8/1992 Allen  
D331,160 S 11/1992 Brunner  
D331,331 S 12/1992 Brunner  
D335,052 S 4/1993 Barbuto et al.  
D364,292 S 11/1995 Good  
5,529,192 A 6/1996 Conen et al.  
D379,886 S 6/1997 Towfigh  
D394,360 S 5/1998 Geier et al.  
D424,320 S 5/2000 Klein et al.

D450,486 S 11/2001 Stafford et al.  
D450,948 S 11/2001 Stafford et al.  
D451,300 S 12/2001 Stafford et al.  
D510,492 S 10/2005 Sakurai et al.  
D584,542 S \* 1/2009 Martin et al. .... D6/484  
D587,940 S 3/2009 Crowley  
D603,627 S \* 11/2009 Wen ..... D6/484

## OTHER PUBLICATIONS

Joseph R. Stukenberg, Table, U.S. Appl. No. 29/332,961, filed Feb. 27, 2009.

Joseph R. Stukenberg, Feature Table, U.S. Appl. No. 29/332,959, filed Feb. 27, 2009.

\* cited by examiner

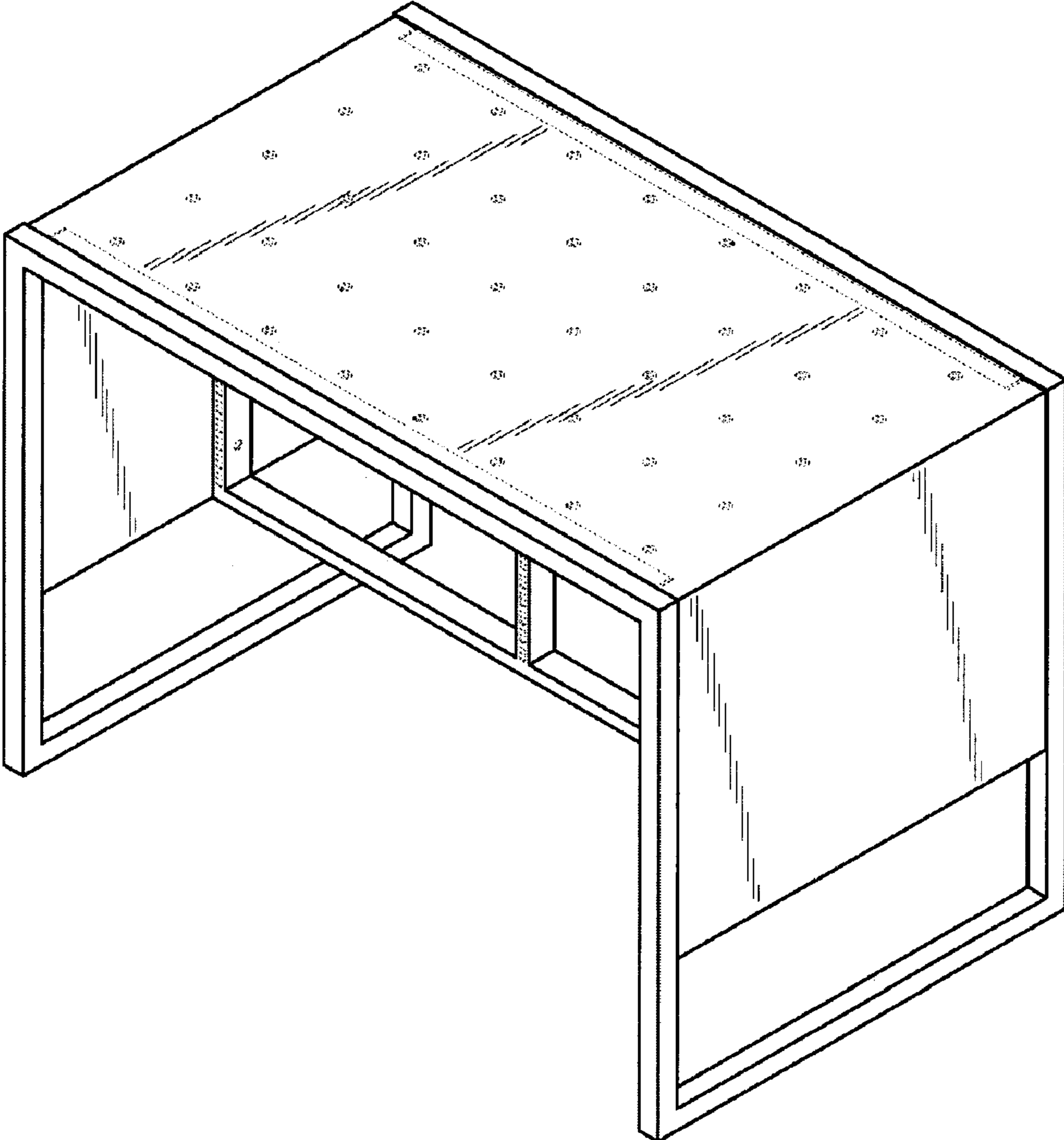
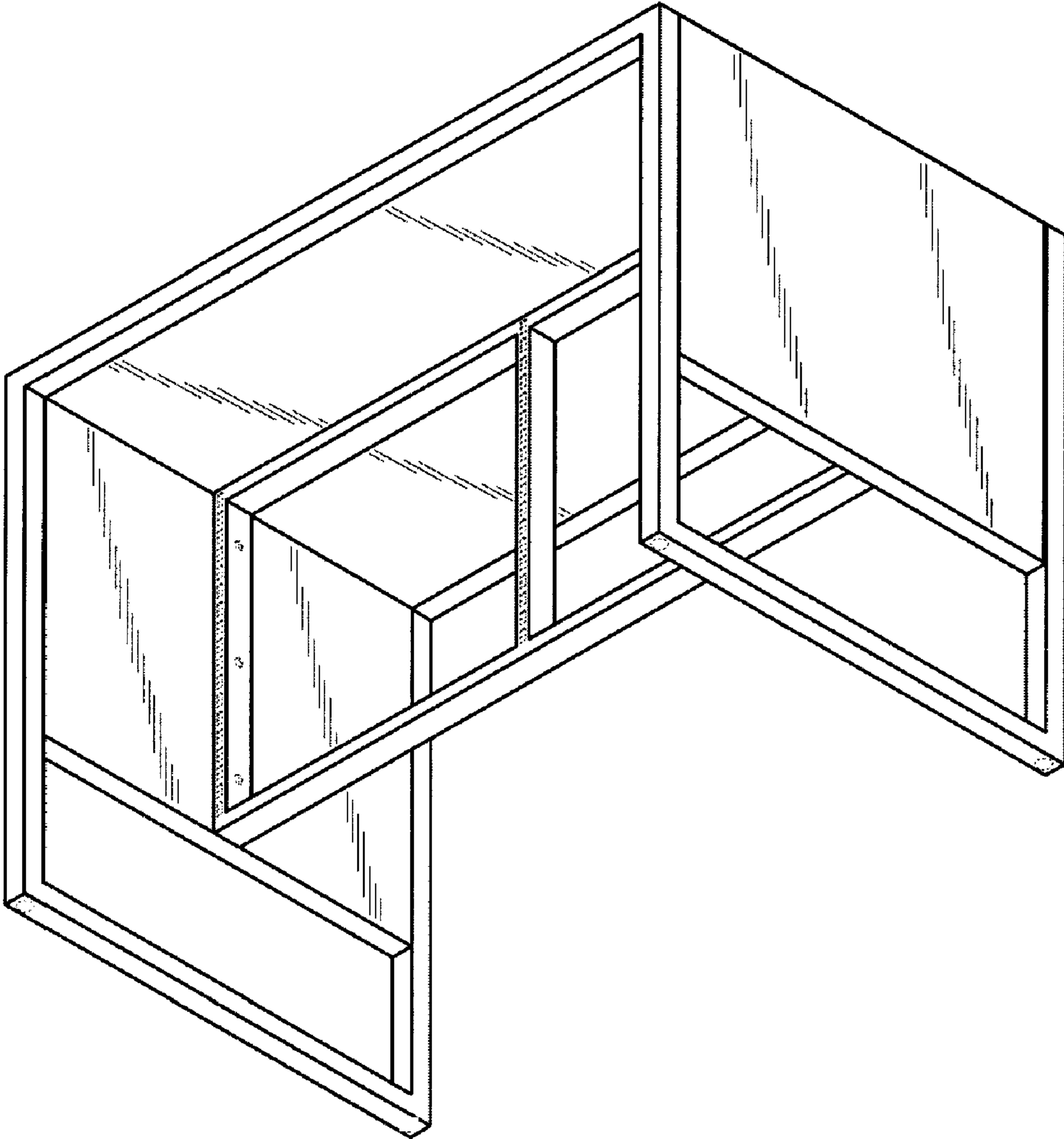
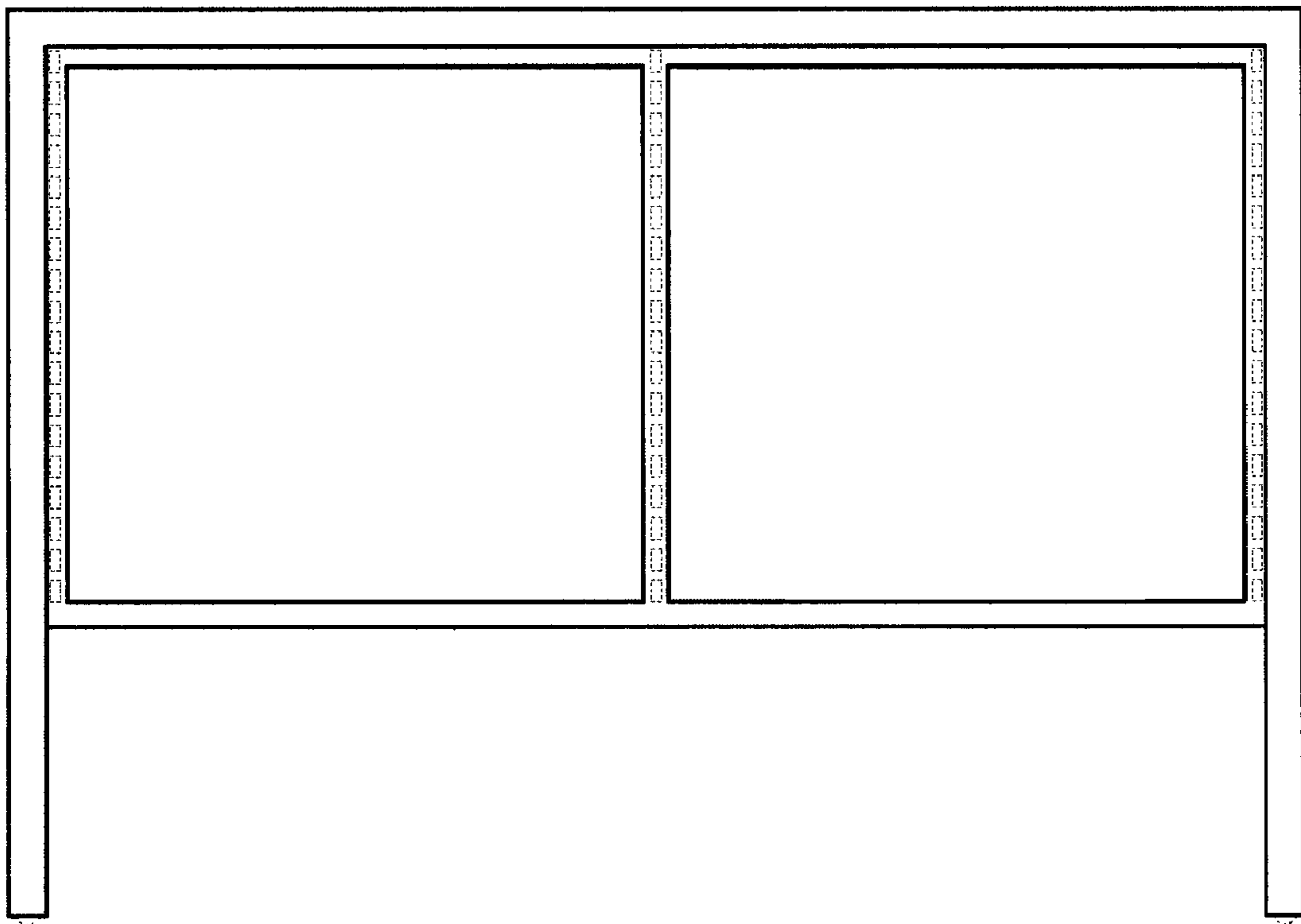


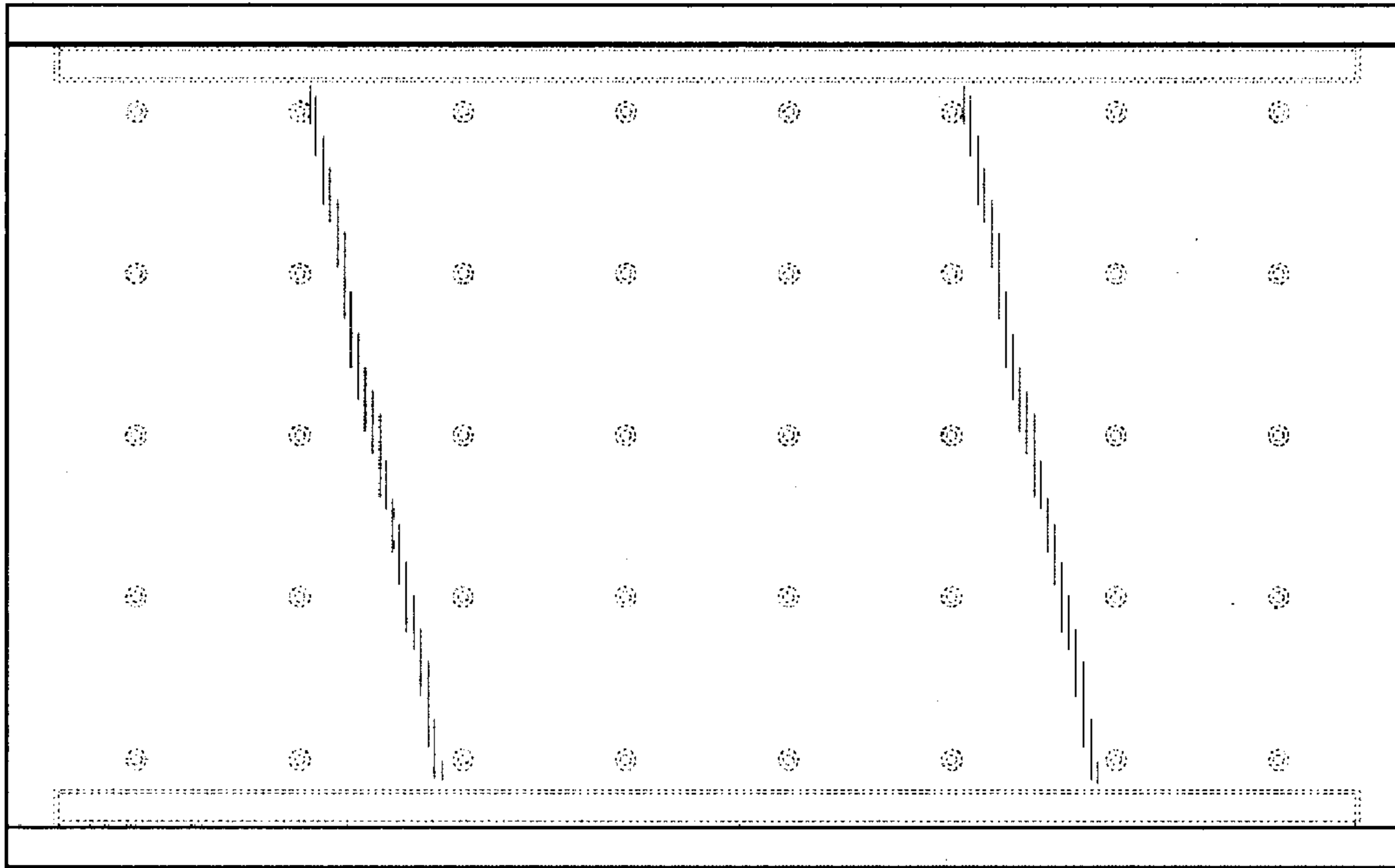
Fig. 1



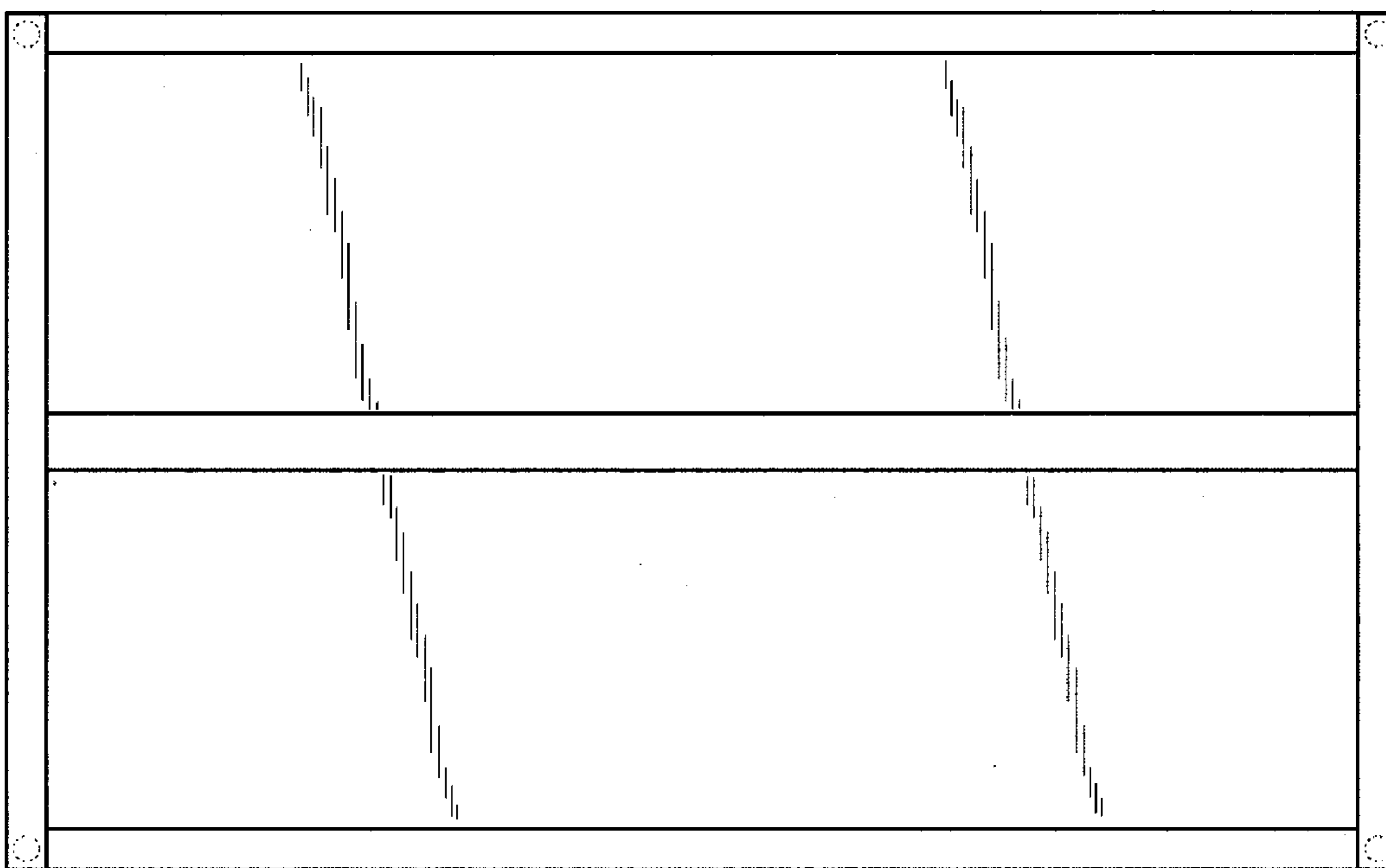
**Fig. 2**



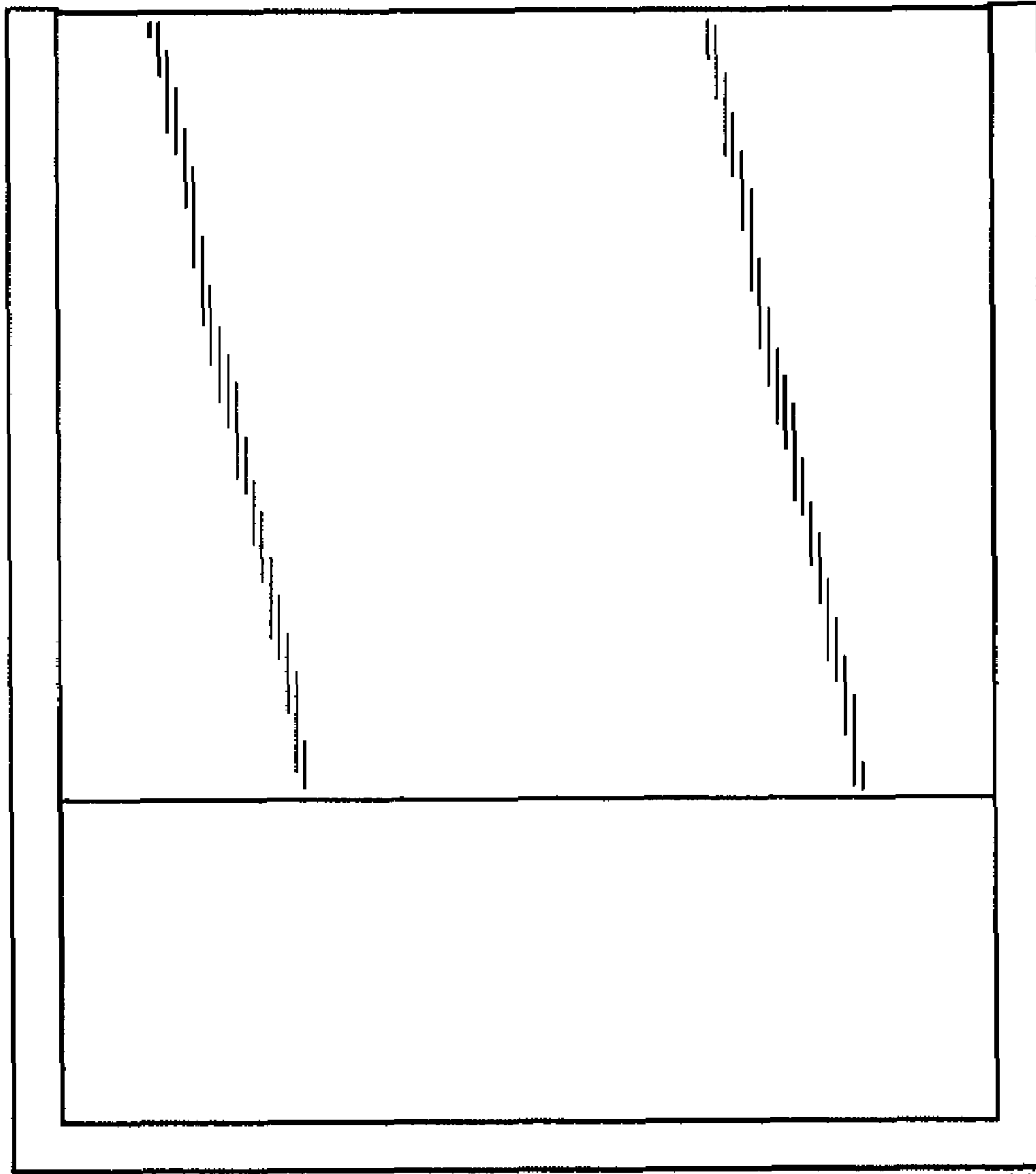
**Fig. 3**



**Fig. 4**



**Fig. 5**



**Fig. 6**