



US00D611733S

(12) **United States Design Patent**  
**Stukenberg**

(10) **Patent No.:** **US D611,733 S**  
(45) **Date of Patent:** **\*\* Mar. 16, 2010**

- (54) **FEATURE TABLE**
  - (75) Inventor: **Joseph R. Stukenberg**, Minneapolis, MN (US)
  - (73) Assignee: **Target Brands, Inc.**, Minneapolis, MN (US)
  - (\*\*) Term: **14 Years**
  - (21) Appl. No.: **29/332,959**
  - (22) Filed: **Feb. 27, 2009**
  - (51) **LOC (9) Cl.** ..... **06-03**
  - (52) **U.S. Cl.** ..... **D6/480**
  - (58) **Field of Classification Search** ..... D6/480-489, D6/429-431, 511, 495, 496; 108/150, 151, 108/152, 153.1, 157.1, 161; 248/188, 188.1, 248/188.8
- See application file for complete search history.

- D312,177 S 11/1990 Walter et al.
- D314,090 S 1/1991 Stephens et al.
- D314,286 S 2/1991 Glassenberg
- D314,482 S 2/1991 Walter et al.
- D315,651 S 3/1991 Citterio et al.
- D318,194 S 7/1991 Terrell et al.
- D319,934 S 9/1991 Terrell et al.
- D321,997 S 12/1991 Inman
- D322,188 S 12/1991 Leis et al.
- 5,090,725 A 2/1992 Feldner
- D325,830 S 5/1992 Cury
- D326,965 S 6/1992 Allen
- D327,788 S 7/1992 Allen
- D328,825 S 8/1992 Allen
- D331,160 S 11/1992 Brunner
- D331,331 S 12/1992 Brunner
- D335,052 S 4/1993 Barbuto et al.

(Continued)

*Primary Examiner*—Janice E Seeger  
(74) *Attorney, Agent, or Firm*—Fish & Richardson P.C.

(56) **References Cited**  
U.S. PATENT DOCUMENTS

- D174,407 S 4/1955 Anderle
- D216,715 S 3/1970 Dottinger
- D239,488 S \* 4/1976 Sandefur ..... D6/428
- 4,035,941 A 7/1977 Deffner
- 4,186,666 A 2/1980 Honickman
- 4,191,298 A 3/1980 Broudy
- D263,358 S 3/1982 Winter et al.
- 4,324,076 A 4/1982 Honickman
- 4,336,886 A 6/1982 Azoulay et al.
- D277,626 S 2/1985 Evans
- D277,717 S \* 2/1985 Petrick ..... D6/495
- 4,508,231 A 4/1985 Honickman
- 4,596,195 A 6/1986 Wenger
- D284,532 S \* 7/1986 Vogt ..... D6/428
- D289,478 S 4/1987 Vogtherr
- 4,655,354 A 4/1987 Cohen
- D290,791 S 7/1987 Kester
- D294,543 S 3/1988 Rekow
- D301,413 S 6/1989 Rosen
- 4,919,282 A 4/1990 Duff et al.
- 4,932,539 A 6/1990 Abinanti

(57) **CLAIM**

The ornamental design for a feature table, as shown and described.

**DESCRIPTION**

FIG. 1 is a top, perspective view of a feature table, according to some embodiments;

FIG. 2 is a bottom, perspective view thereof;

FIG. 3 is a top view thereof;

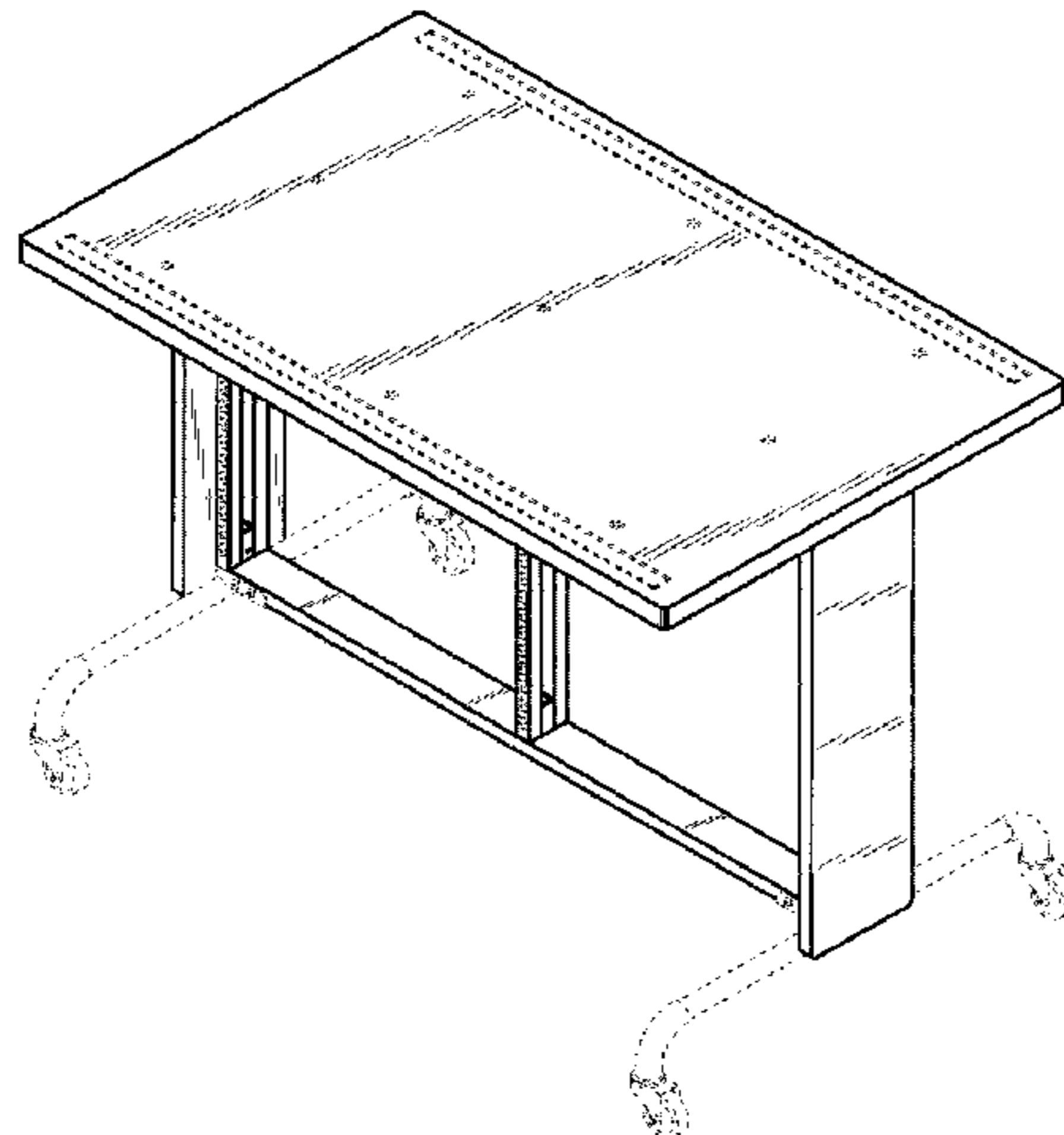
FIG. 4 is a bottom view thereof;

FIG. 5 is a front view thereof, a back view thereof being an identical, mirror image of the front view; and,

FIG. 6 is a right side view thereof, a left side view thereof being an identical, mirror image of the right side view.

The broken lines are for illustrative purposes only and form no part of the claimed design.

**1 Claim, 3 Drawing Sheets**



# US D611,733 S

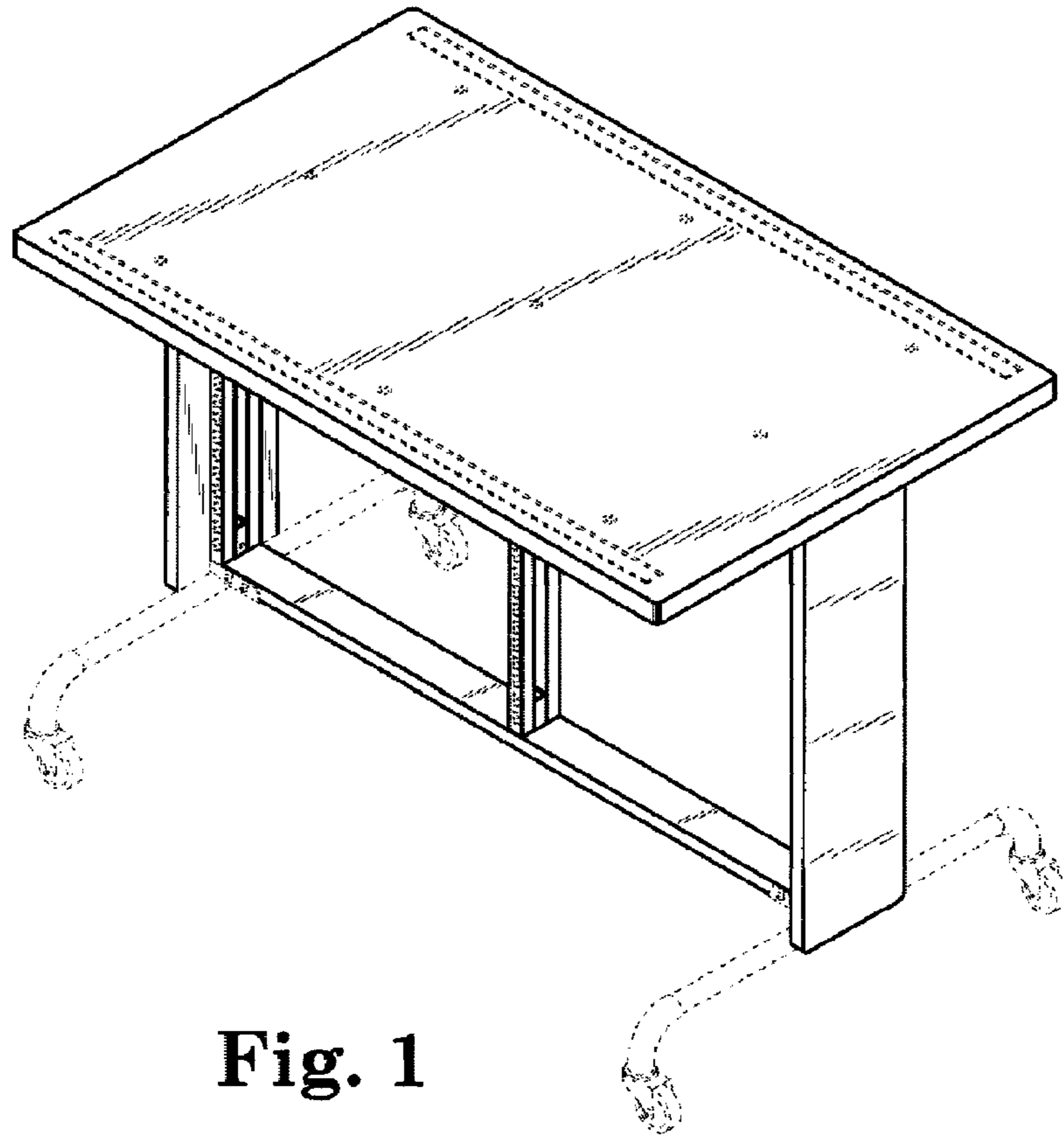
Page 2

---

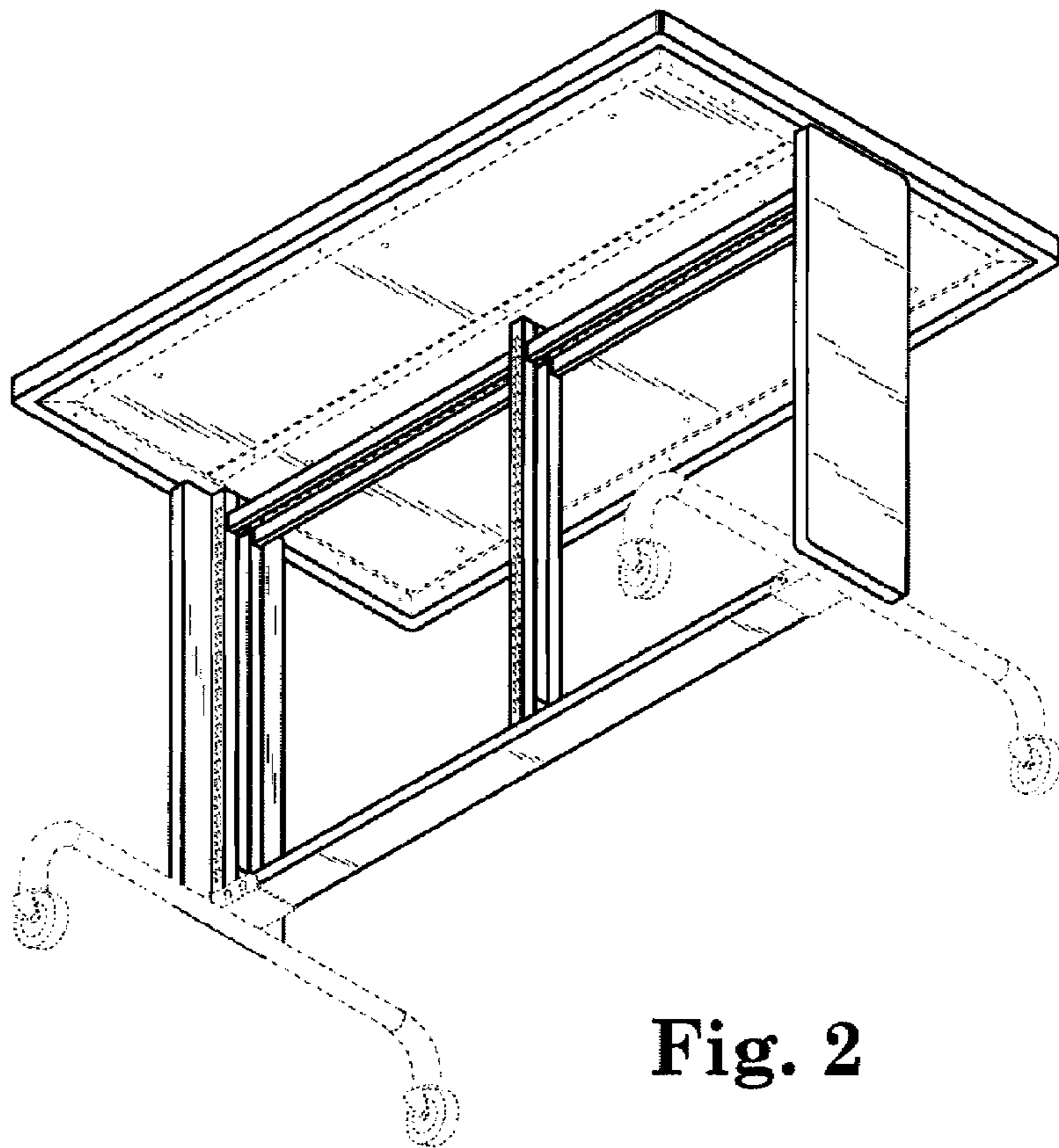
## U.S. PATENT DOCUMENTS

D363,701 S	*	10/1995	Paquette et al. ....	D13/154	D394,360 S	5/1998	Geier et al.
D364,292 S		11/1995	Good		D424,320 S	5/2000	Klein et al.
5,529,192 A		6/1996	Conen et al.		D450,486 S	11/2001	Stafford et al.
D374,787 S	*	10/1996	Stoddard et al. ....	D6/484	D450,948 S	11/2001	Stafford et al.
D379,886 S		6/1997	Towfigh		D451,300 S	12/2001	Stafford et al.
D394,175 S	*	5/1998	Olson .....	D6/495	D510,492 S	10/2005	Sakurai et al.
					D587,940 S	3/2009	Crowley

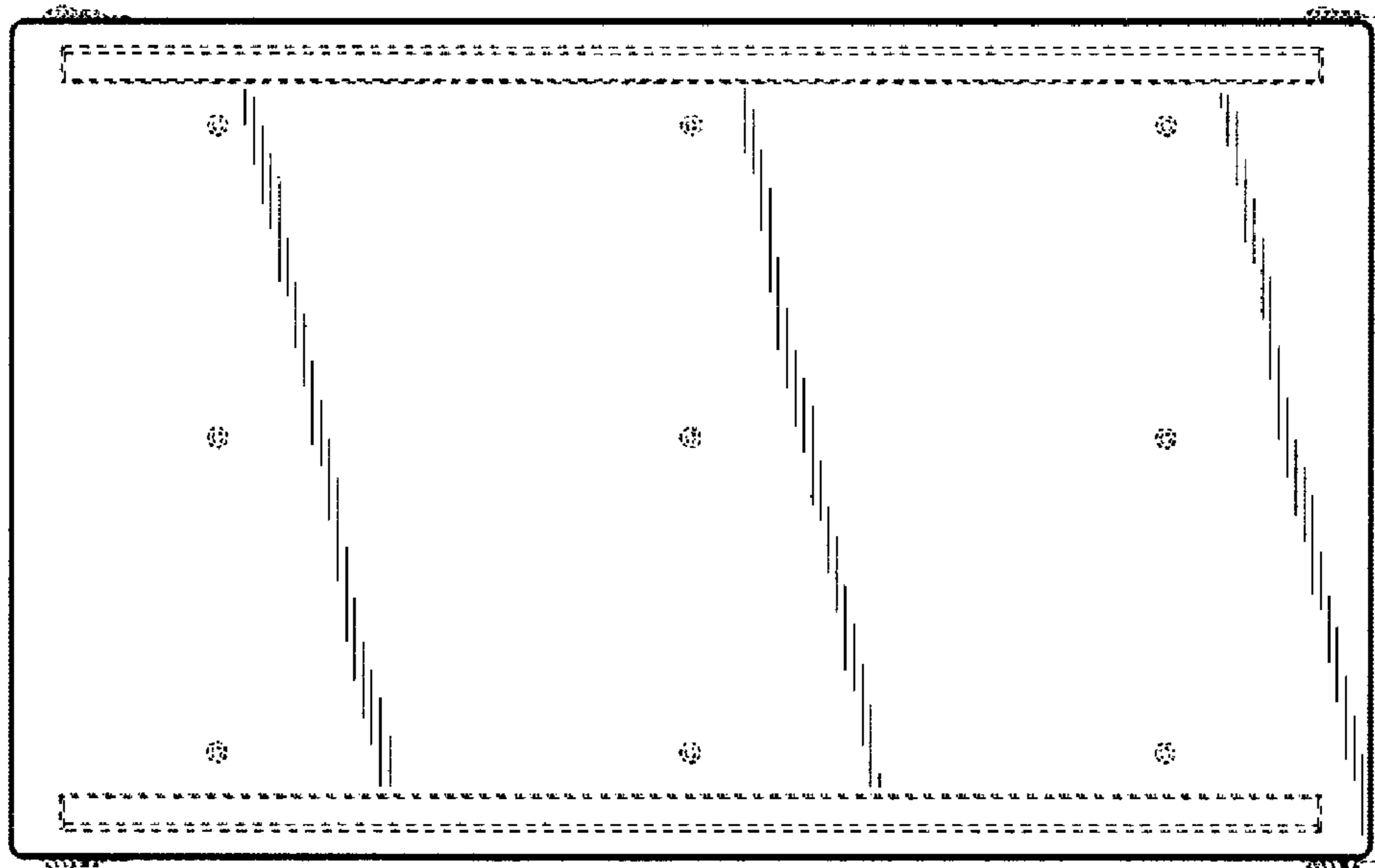
\* cited by examiner



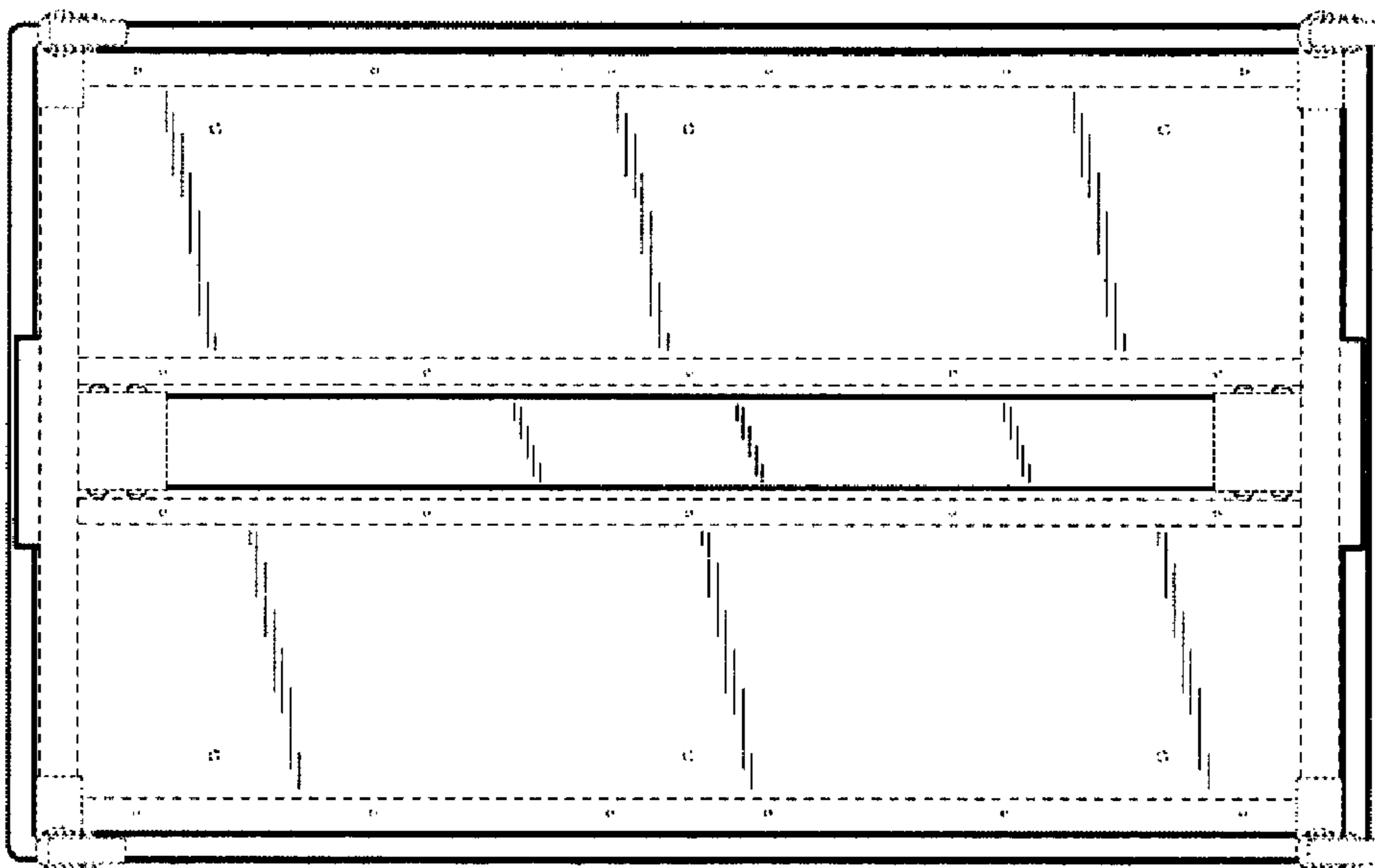
**Fig. 1**



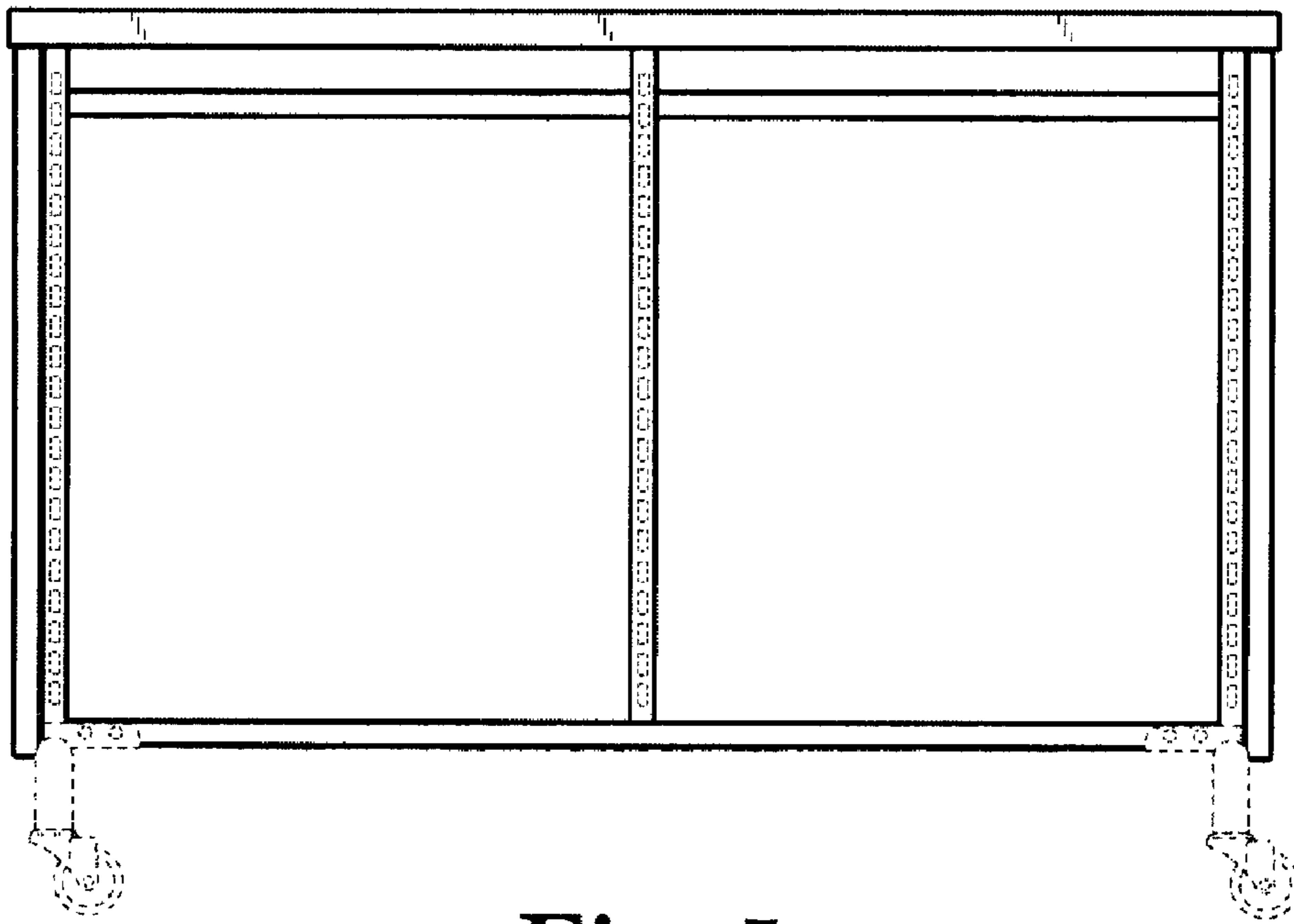
**Fig. 2**



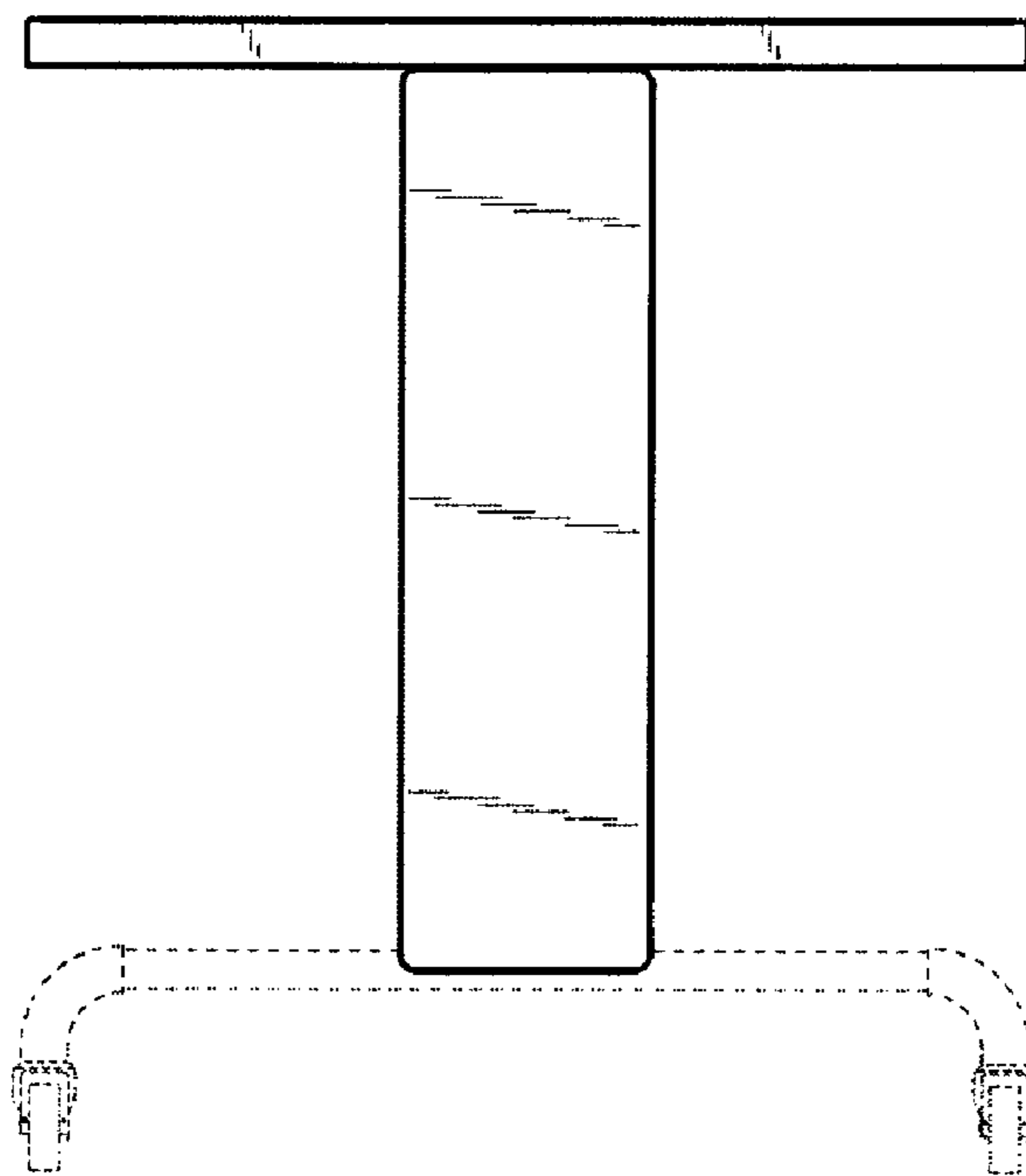
**Fig. 3**



**Fig. 4**



**Fig. 5**



**Fig. 6**