



US00D611732S

(12) **United States Design Patent**  
**Hayes**

(10) **Patent No.:** **US D611,732 S**

(45) **Date of Patent:** **\*\* \*Mar. 16, 2010**

(54) **STACKABLE TABLE FRAME**

(75) Inventor: **Jonathan Hayes**, Boston, MA (US)

(73) Assignee: **J. Hayes Design, Inc.**, Boston, MA (US)

(\*) Notice: This patent is subject to a terminal disclaimer.

(\*\*) Term: **14 Years**

(21) Appl. No.: **29/330,191**

(22) Filed: **Dec. 30, 2008**

(51) **LOC (9) Cl.** ..... **06-03**

(52) **U.S. Cl.** ..... **D6/480; D6/429**

(58) **Field of Classification Search** ..... D6/480-489,  
D6/495-499, 429-431, 479; 108/150, 153.1,  
108/155, 156, 161, 11, 18, 125, 91; 248/188,  
248/188.1, 188.8; 211/153

See application file for complete search history.

(56) **References Cited**

U.S. PATENT DOCUMENTS

- 1,646,175 A \* 10/1927 Thiede ..... 108/125
- D141,386 S \* 5/1945 Rosenfield ..... D6/479
- 2,540,849 A \* 2/1951 Walker ..... 108/91
- 2,567,417 A 9/1951 Adler
- 2,981,579 A 4/1961 Shwayder
- 3,853,073 A 12/1974 Flum
- D240,377 S \* 7/1976 Goulder ..... D6/461
- 4,242,969 A 1/1981 Checkwood

- 4,706,576 A \* 11/1987 James ..... 108/192
- 5,505,142 A 4/1996 Fink
- 5,918,551 A \* 7/1999 Liu ..... 108/55.1
- D475,220 S \* 6/2003 Seki ..... D6/484
- D477,160 S \* 7/2003 Grosfillex ..... D6/479
- 2007/0277709 A1 12/2007 Carter

\* cited by examiner

*Primary Examiner*—Janice E Seeger

(74) *Attorney, Agent, or Firm*—Paul E. Lewkowicz P.C.; Paul E. Lewkowicz

(57) **CLAIM**

The ornamental design for a stackable table frame, as shown and described.

**DESCRIPTION**

FIG. 1 is an isometric view of the stackable table frame.

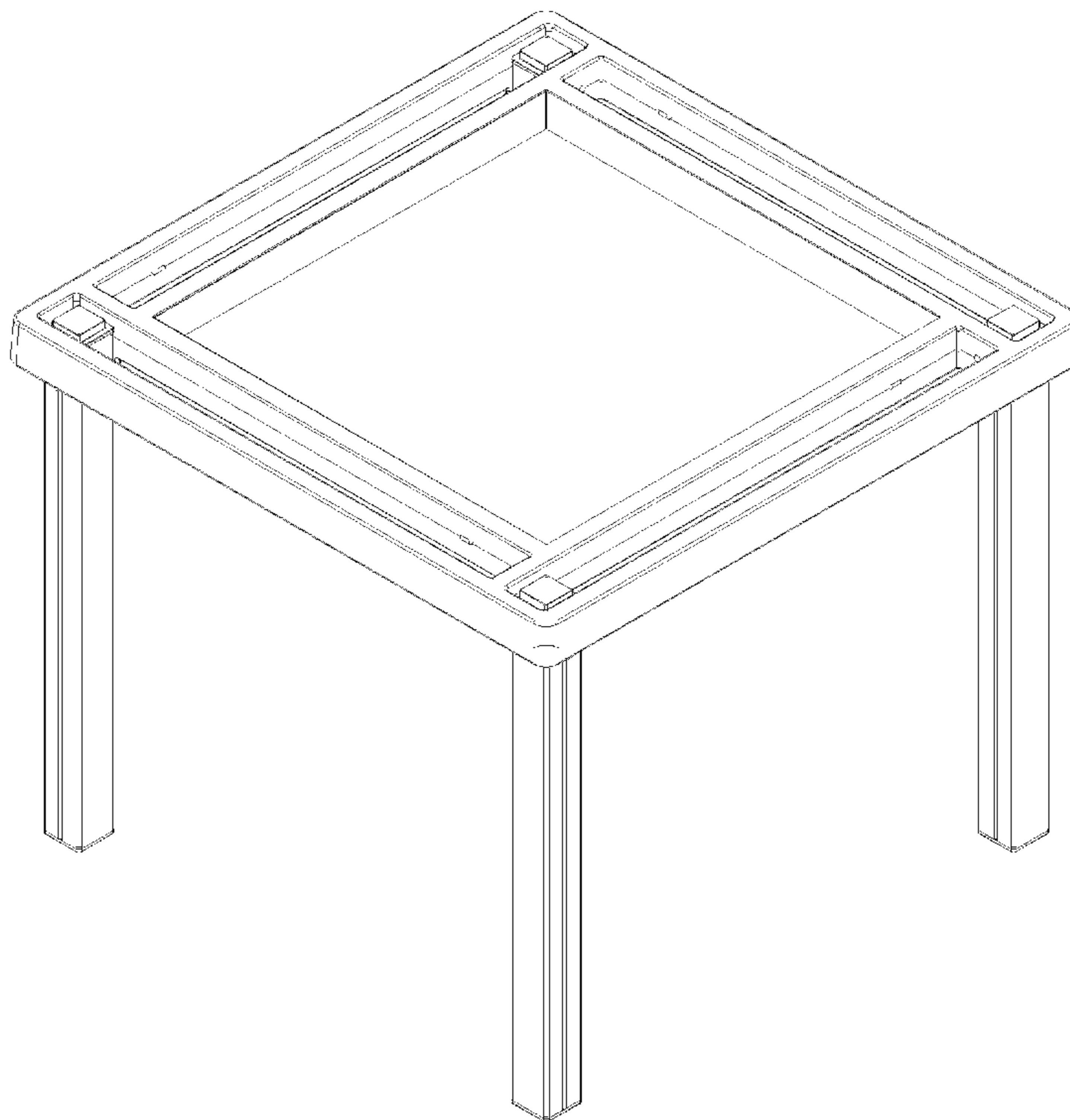
FIG. 2 is a front view of the stackable table frame. As all four elevation views are the same in this symmetrical frame, only one such view is shown.

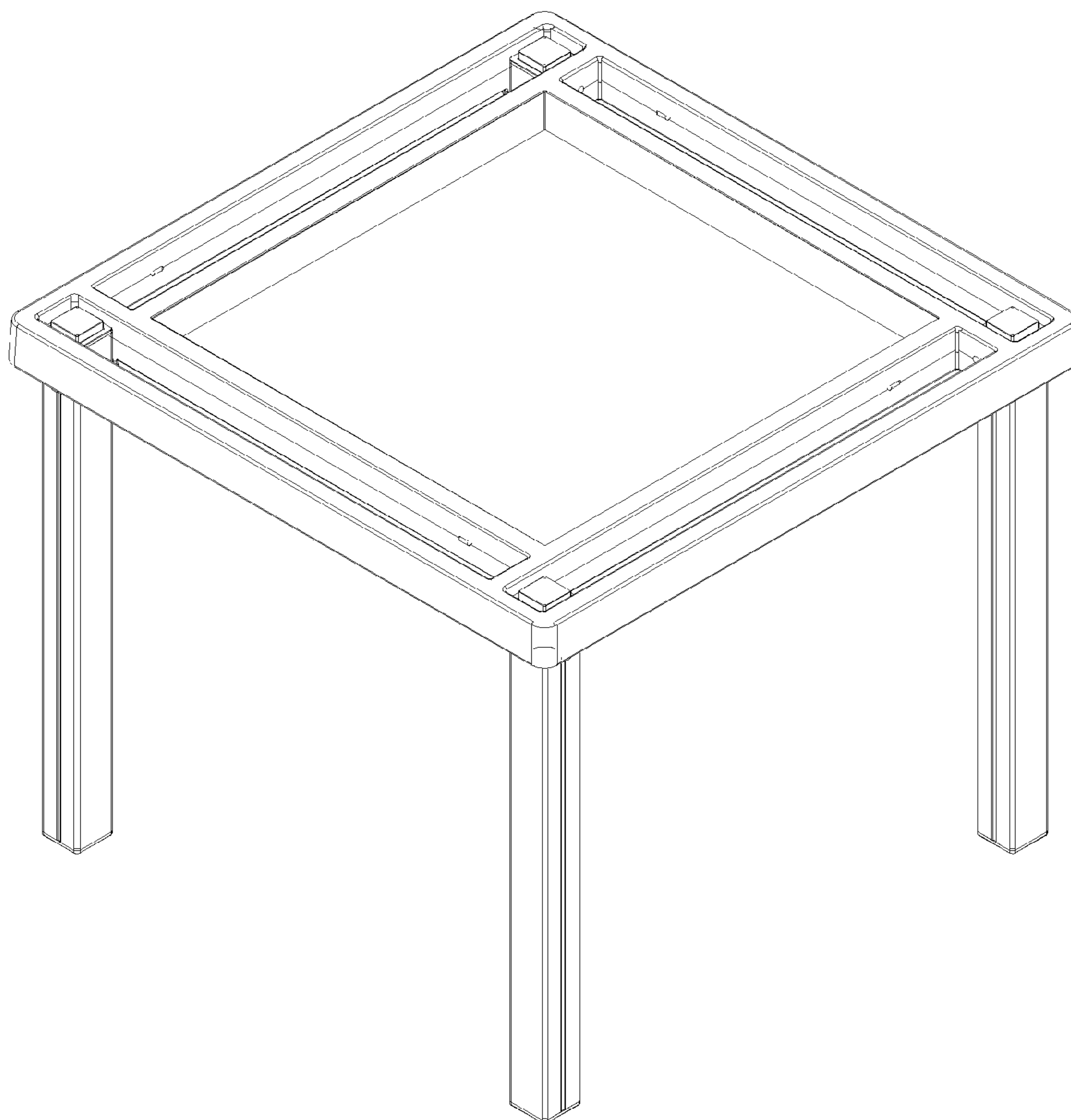
FIG. 3 is a top view of the stackable table frame, looking down on the top; and,

FIG. 4 is a bottom view of the stackable table frame, looking up from the bottom of the legs to the underside of the table frame.

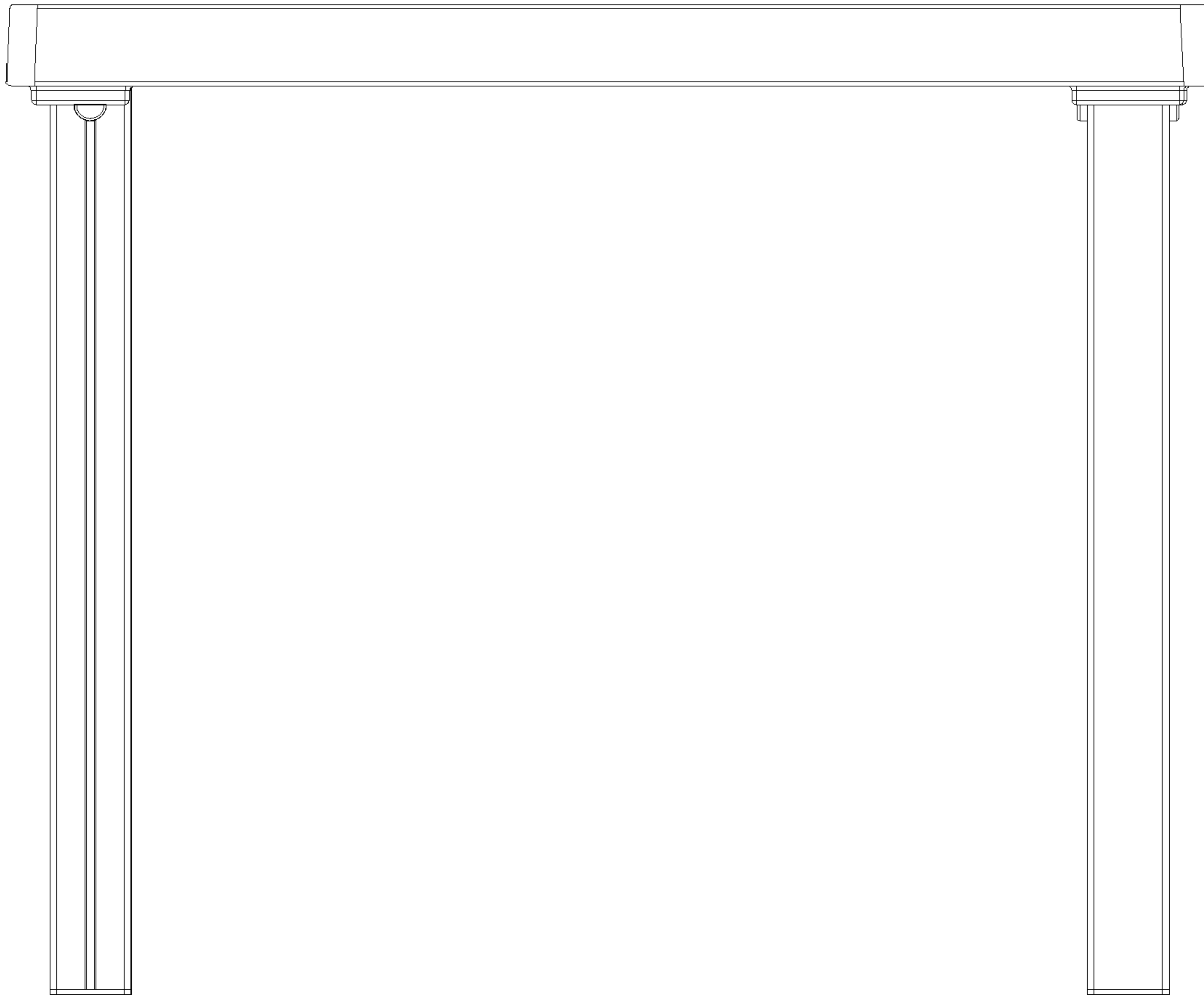
The broken lines are for environmental purposes only and form no part of the claimed design.

**1 Claim, 4 Drawing Sheets**

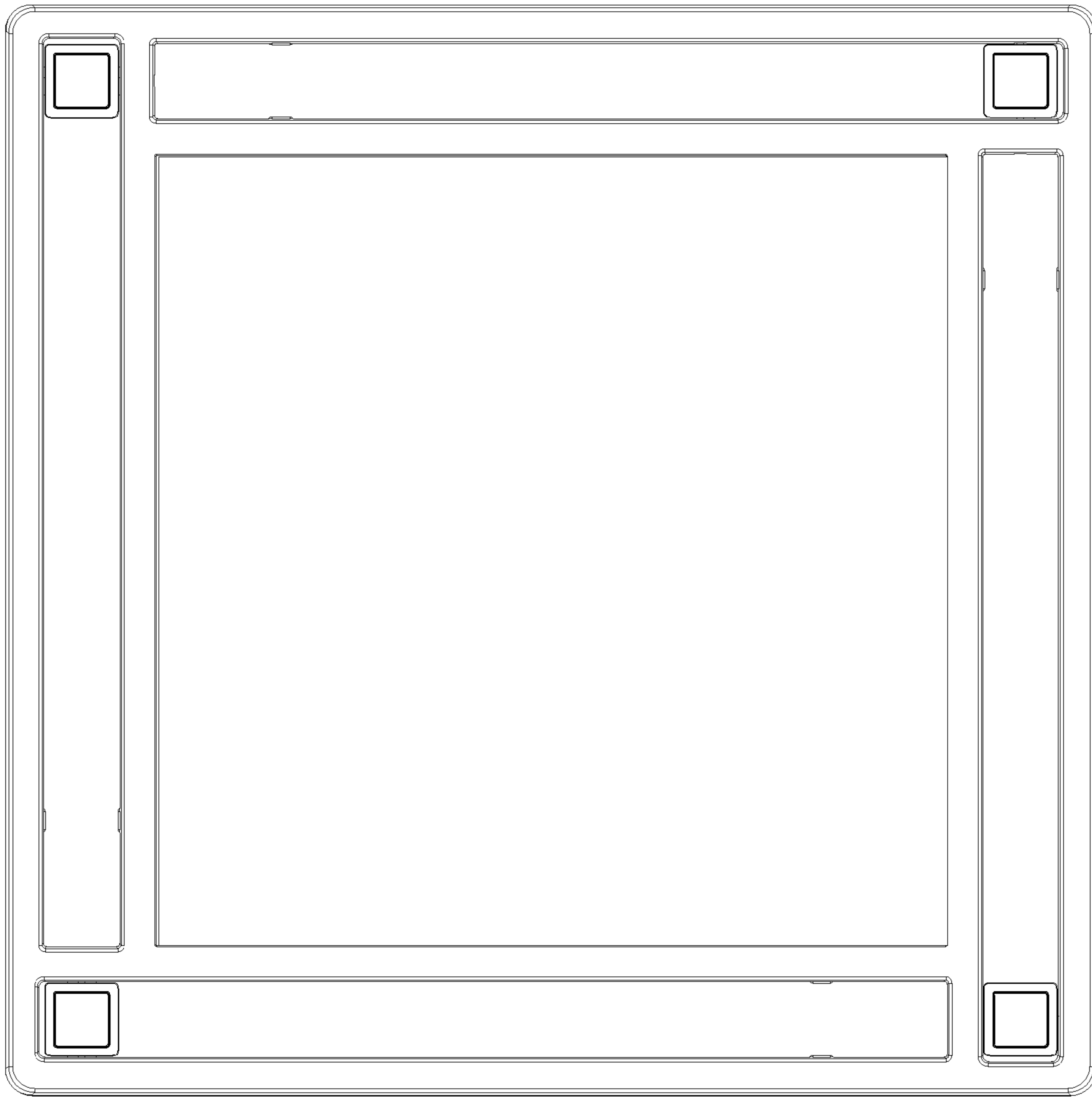




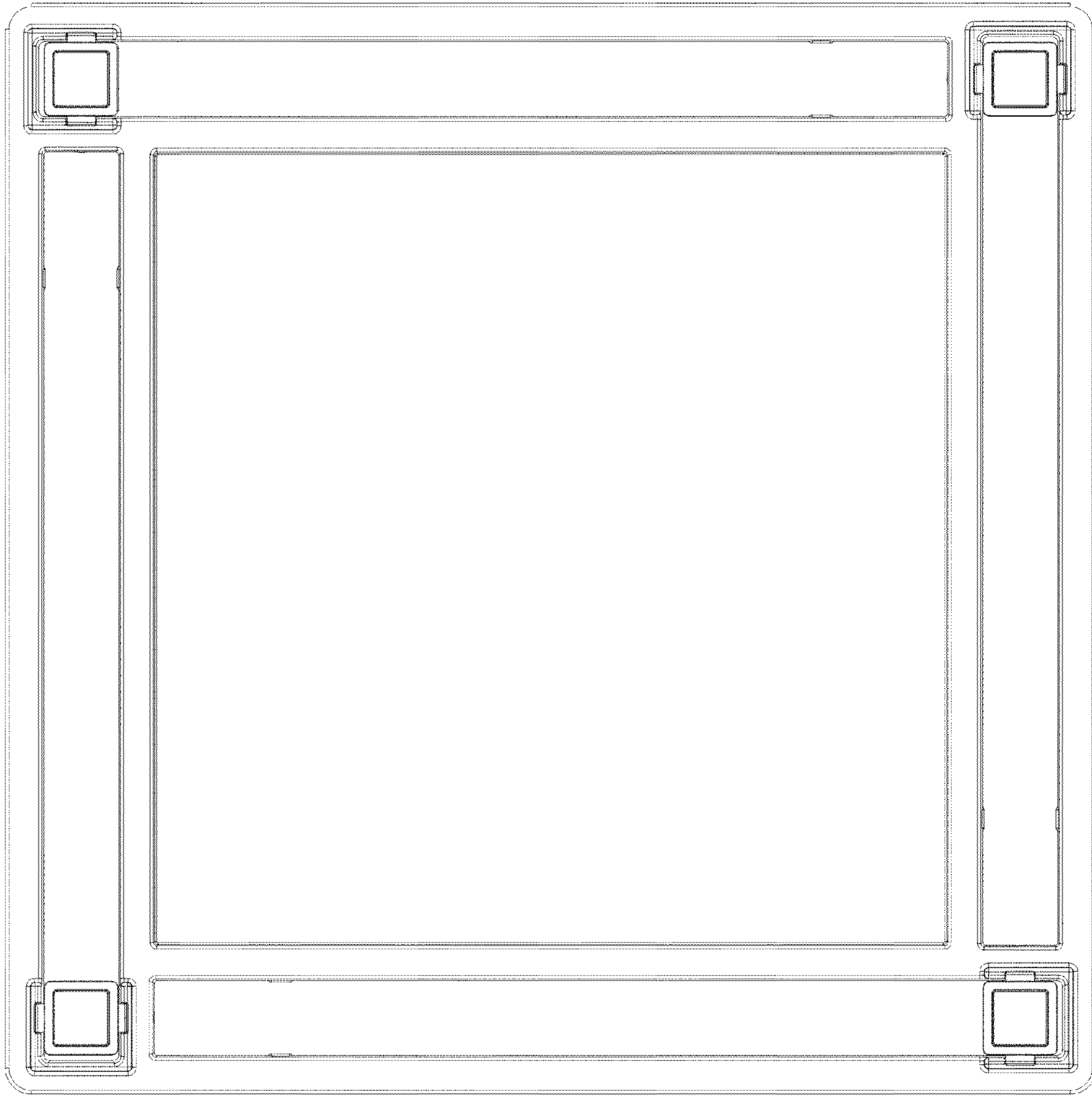
*FIG. 1*



*FIG. 2*



*FIG. 3*



*FIG. 4*