



US00D611731S

(12) **United States Design Patent**  
**Levine**

(10) **Patent No.:** **US D611,731 S**  
(45) **Date of Patent:** **\*\* Mar. 16, 2010**

(54) **SPONGE COUNTER UNIT**

(76) Inventor: **Ian Levine**, 1200 55th Ave., Lachine,  
Quebec (CA) H8T 3J8

(\*\*) Term: **14 Years**

(21) Appl. No.: **29/331,562**

(22) Filed: **Jan. 28, 2009**

**Related U.S. Application Data**

(63) Continuation-in-part of application No. 29/277,865,  
filed on Mar. 12, 2007, now abandoned.

(51) **LOC (9) Cl.** ..... **06-04**

(52) **U.S. Cl.** ..... **D6/462**

(58) **Field of Classification Search** ..... D6/462,  
D6/474, 486-487; D24/164, 177, 185-186,  
D24/232, 234; 312/249.12, 249.1; 280/47.19,  
280/47.35, 79.3; 108/7

See application file for complete search history.

(56) **References Cited**

**U.S. PATENT DOCUMENTS**

3,910,659	A *	10/1975	Peterson	.....	312/226
D345,064	S *	3/1994	Adams, Jr.	.....	D6/474
D423,671	S *	4/2000	Garito et al.	.....	D24/185
6,578,501	B1 *	6/2003	Moore	.....	108/147
6,832,560	B2 *	12/2004	Seiler et al.	.....	108/7
6,883,439	B1 *	4/2005	Moore	.....	108/147
D517,768	S *	3/2006	Arceta	.....	D34/14
D518,267	S *	3/2006	Arceta	.....	D34/14
D522,207	S *	5/2006	Gregory	.....	D34/21

D531,728	S *	11/2006	Helgeson	.....	D24/164
7,311,048	B2 *	12/2007	Kopala, Jr.	.....	108/147
D559,390	S *	1/2008	Diener et al.	.....	D24/186
2007/0228680	A1 *	10/2007	Reppert et al.	.....	280/47.35
2008/0129003	A1 *	6/2008	Stengel et al.	.....	280/47.19

\* cited by examiner

*Primary Examiner*—Elizabeth A Albert

*Assistant Examiner*—Kelley A Donnelly

(74) *Attorney, Agent, or Firm*—Collen IP; Donald J. Ranft

(57) **CLAIM**

The ornamental design for a sponge counter unit, as shown and described.

**DESCRIPTION**

FIG. 1 is a front view of my new, original and ornamental design for a sponge counter unit;

FIG. 2 is a front view including sponge pockets thereof;

FIG. 3 is a right side view of FIG. 1;

FIG. 4 is a right side view including sponge pockets thereof;

FIG. 5 is a top view of FIGS. 1 and 3;

FIG. 6 is a bottom view thereof;

FIG. 7 is a top view including sponge pockets thereof;

FIG. 8 is a bottom view including sponge pockets thereof;

FIG. 9 is a front left perspective view of FIGS. 1, 3, 5, and 6; and,

FIG. 10 is a front left perspective view including sponge pockets thereof.

**1 Claim, 5 Drawing Sheets**

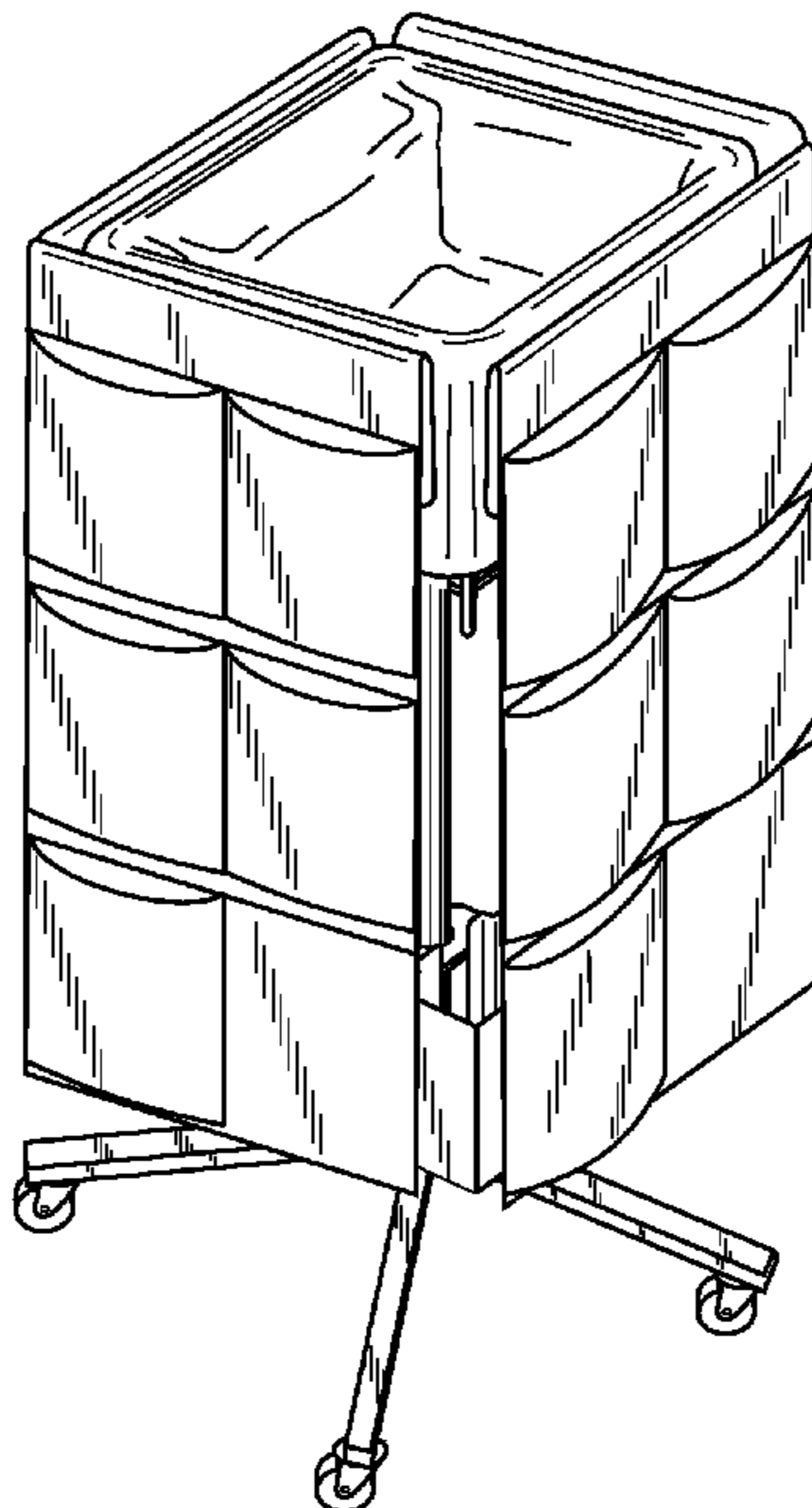


Fig. 1

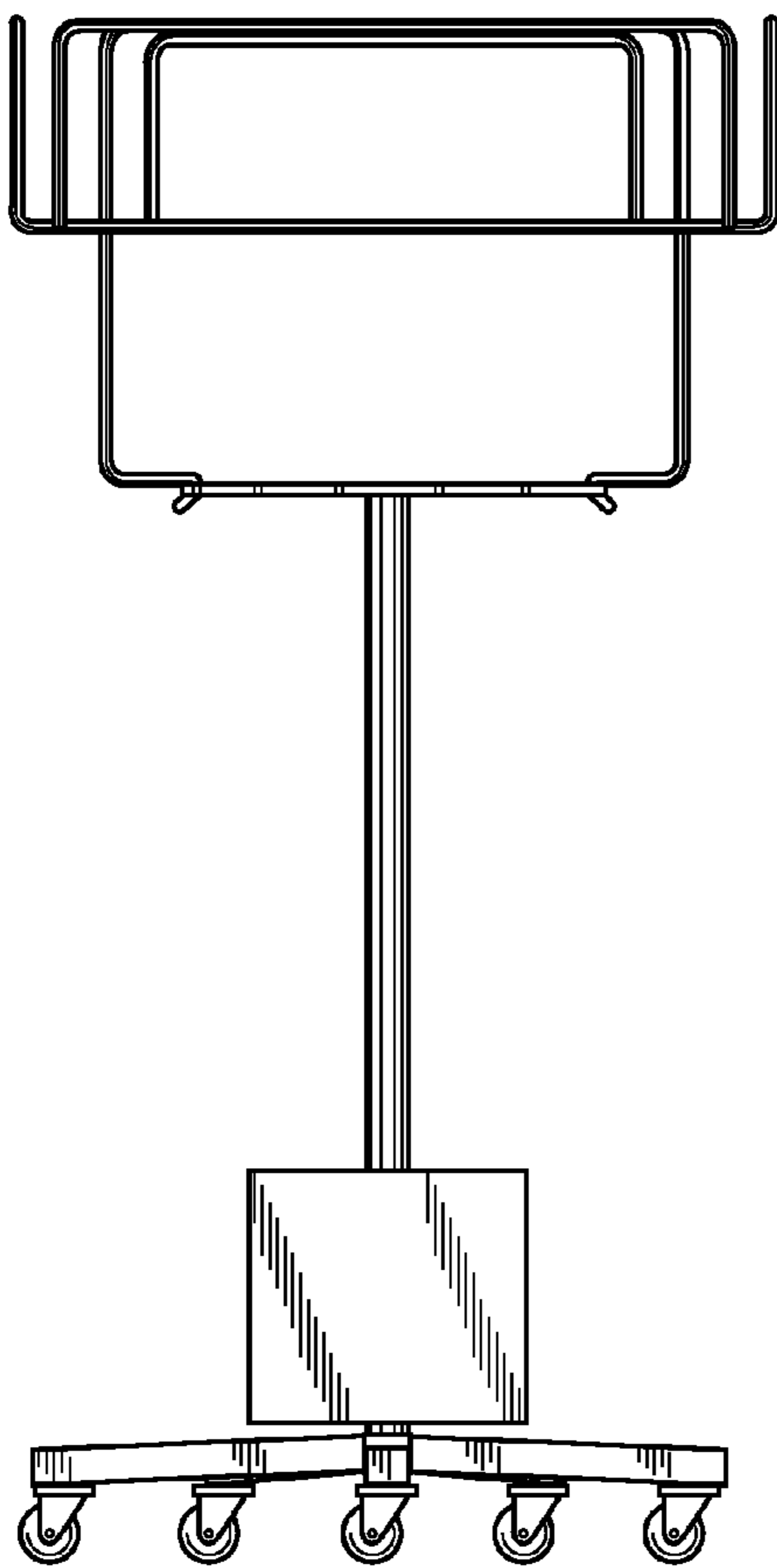


Fig. 2

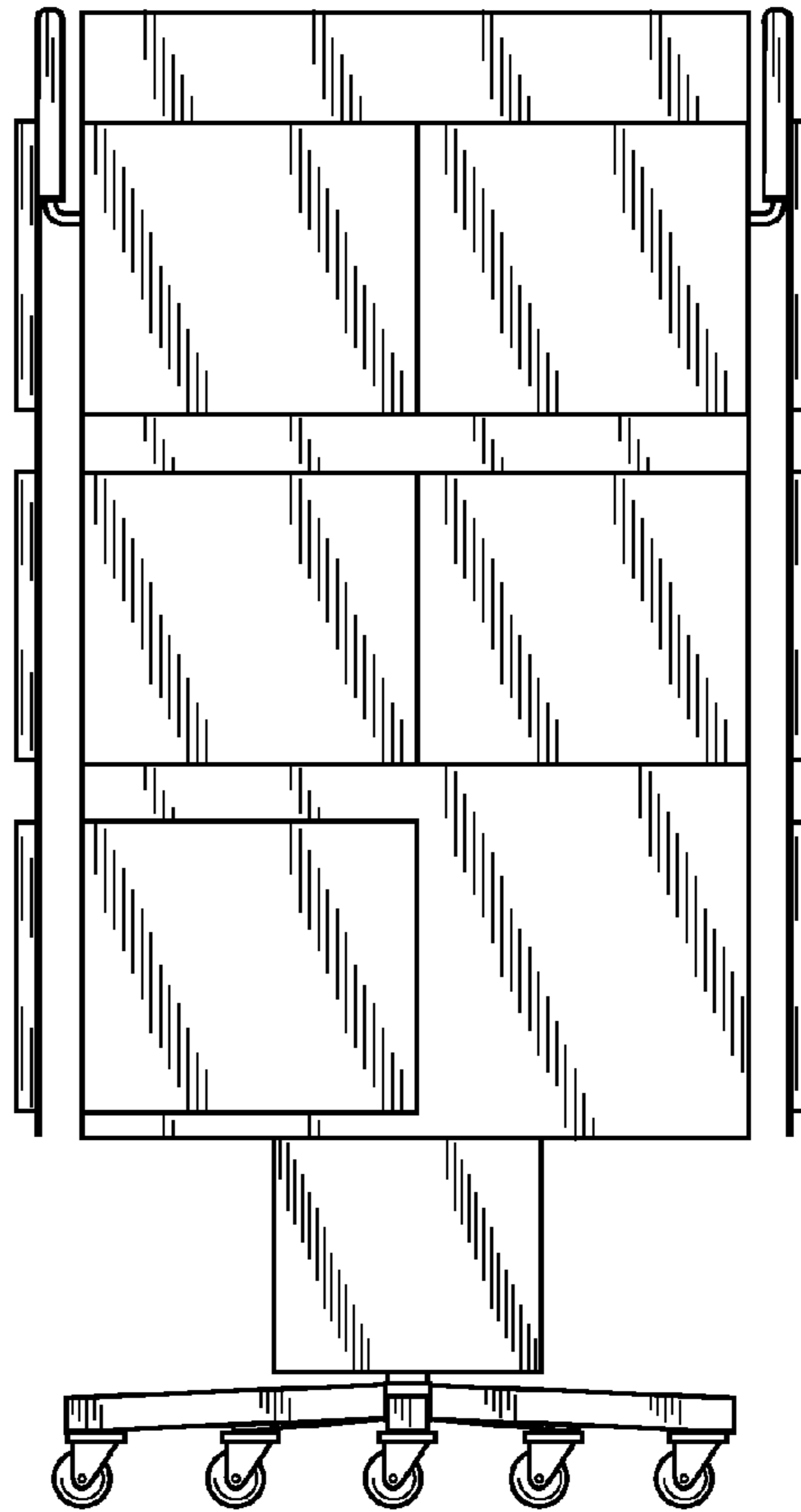


Fig. 3

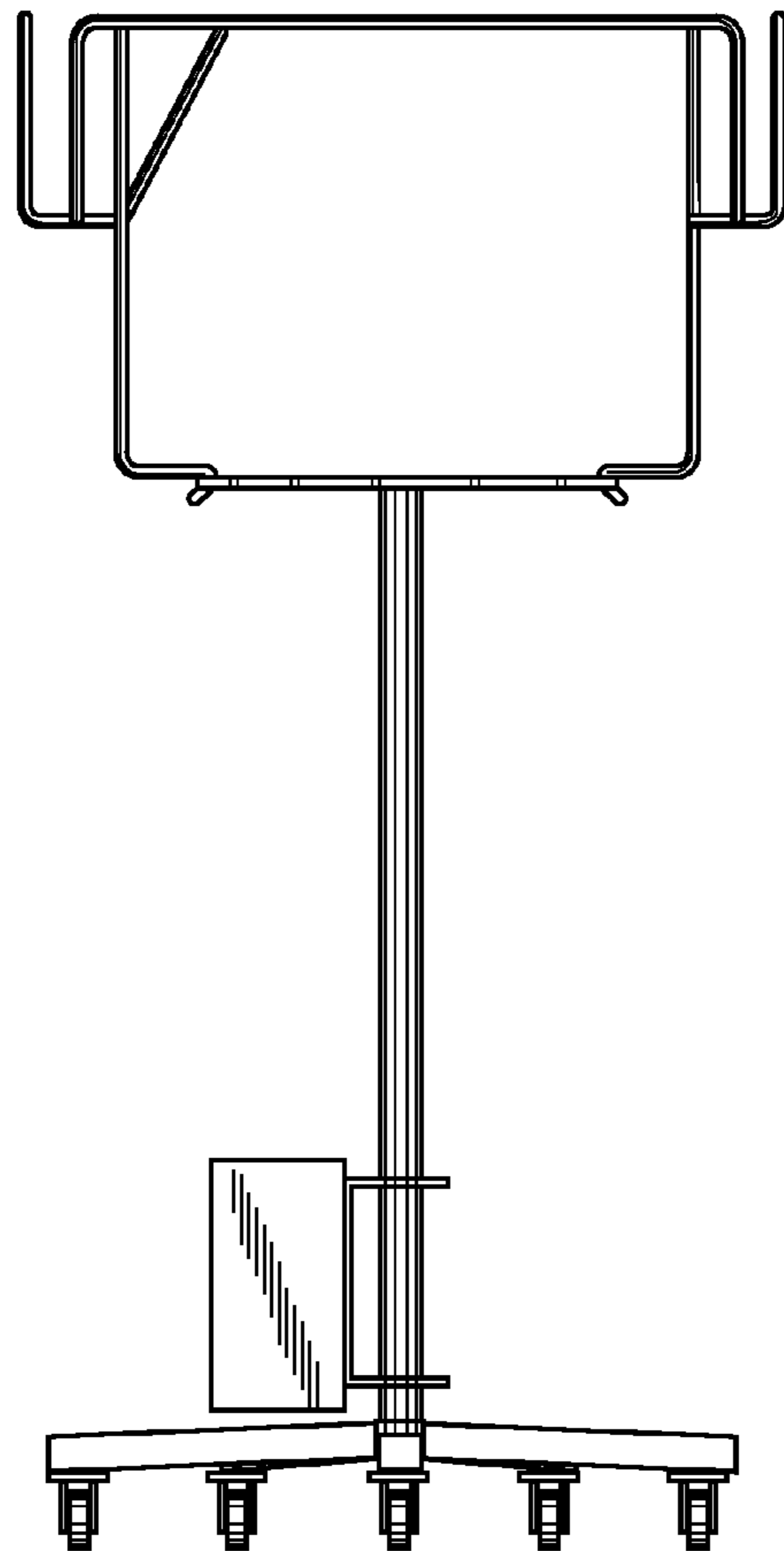


Fig. 4

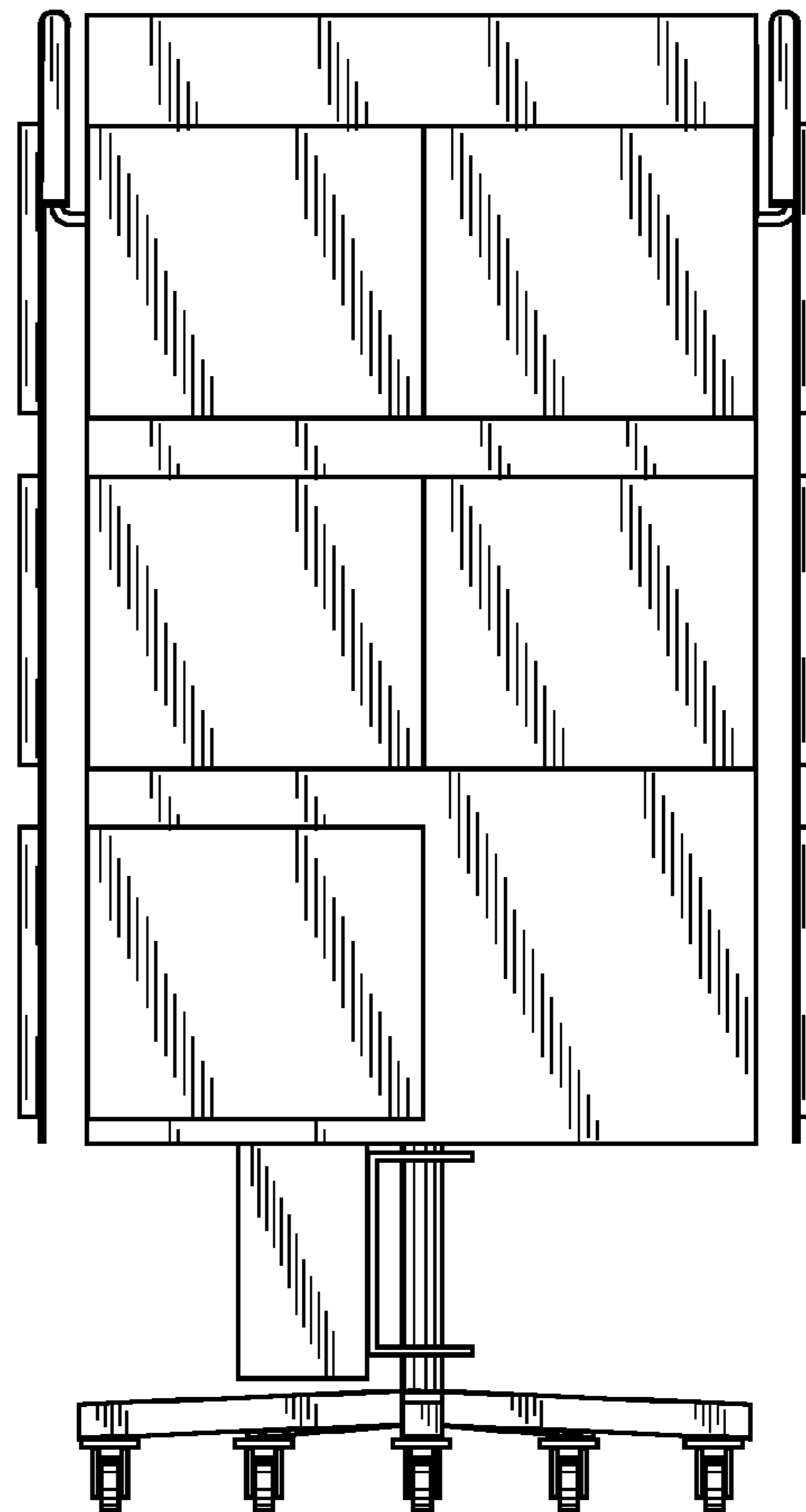


Fig. 5

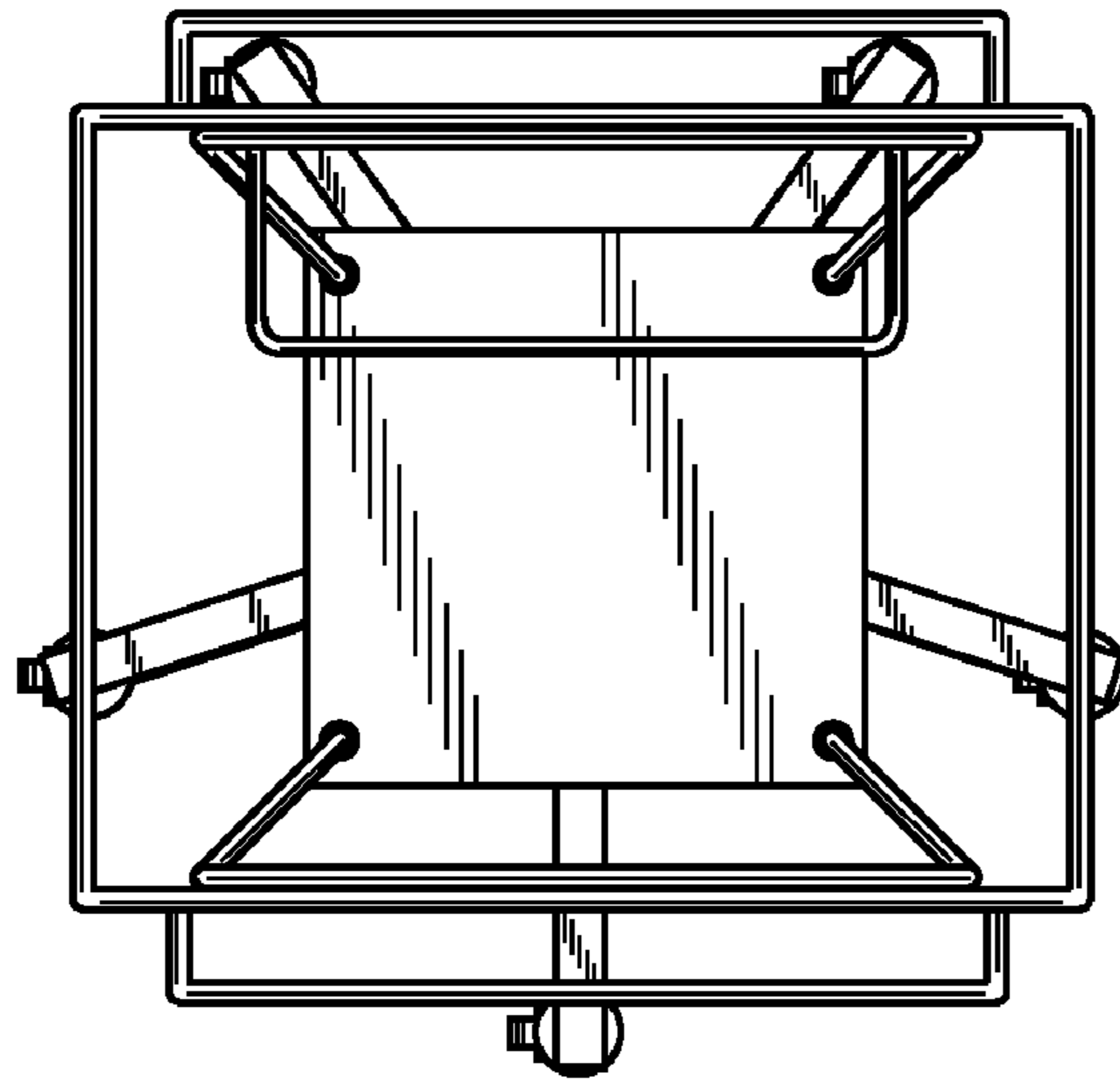


Fig. 6

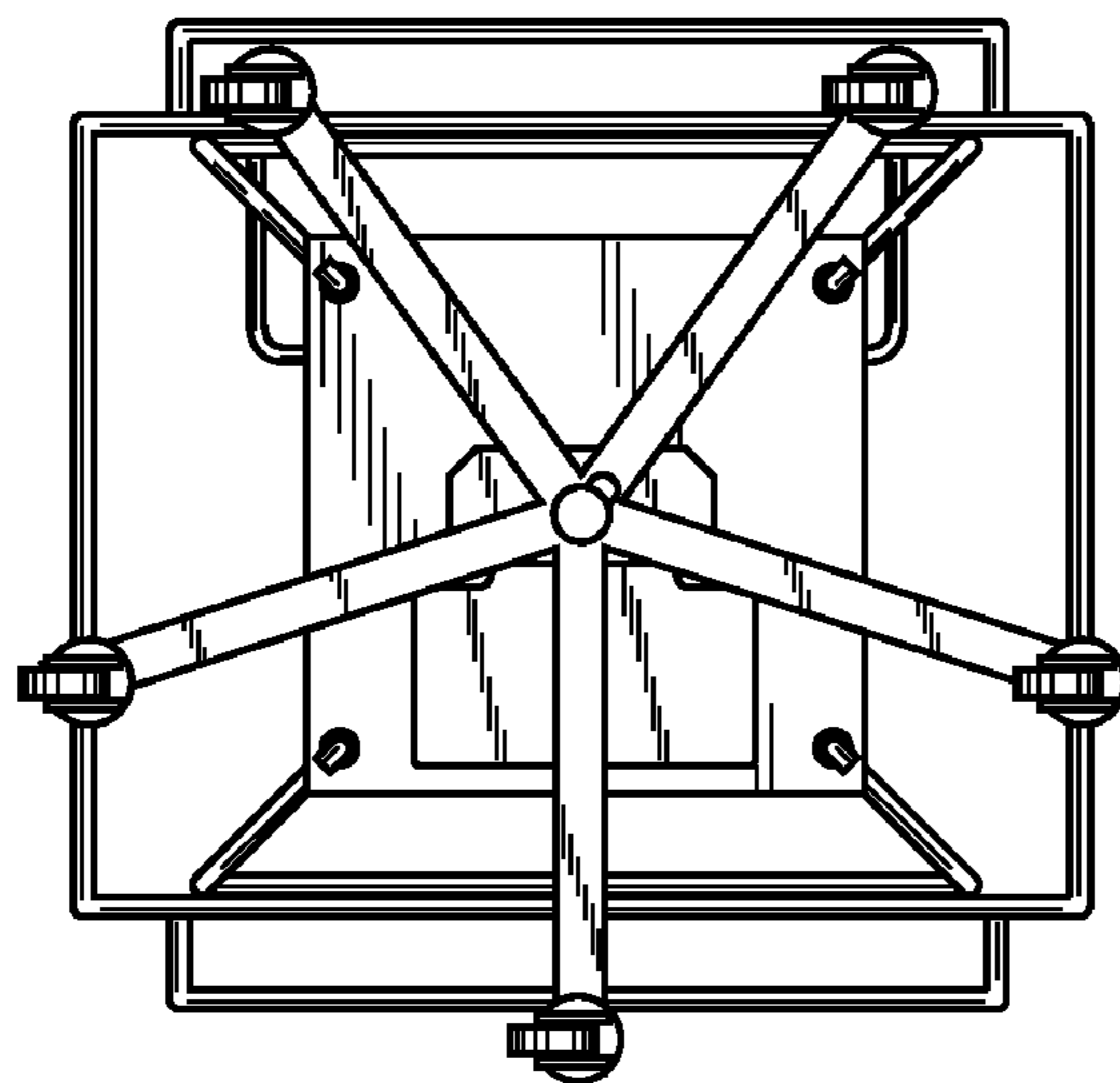


Fig. 7

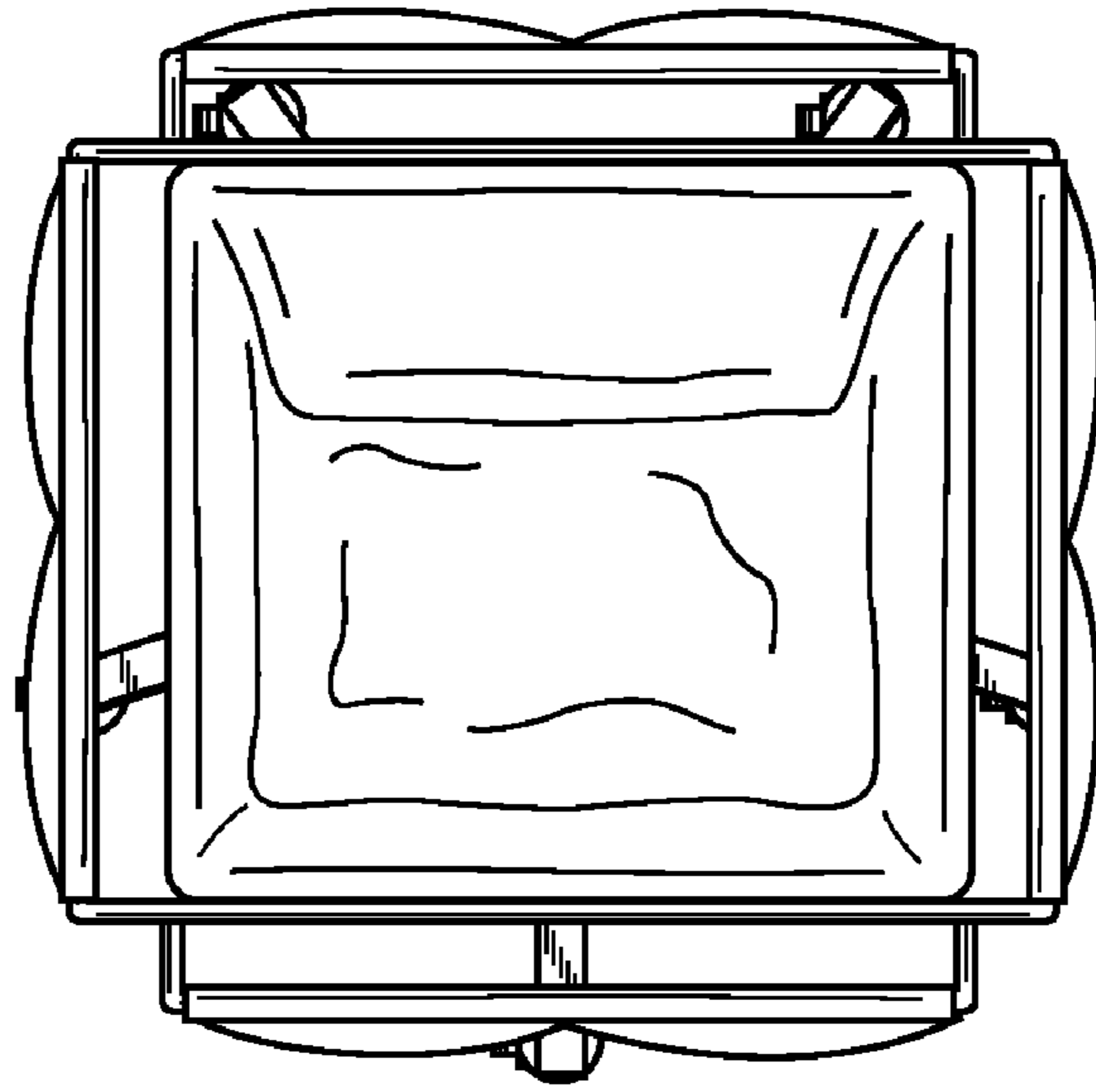


Fig. 8

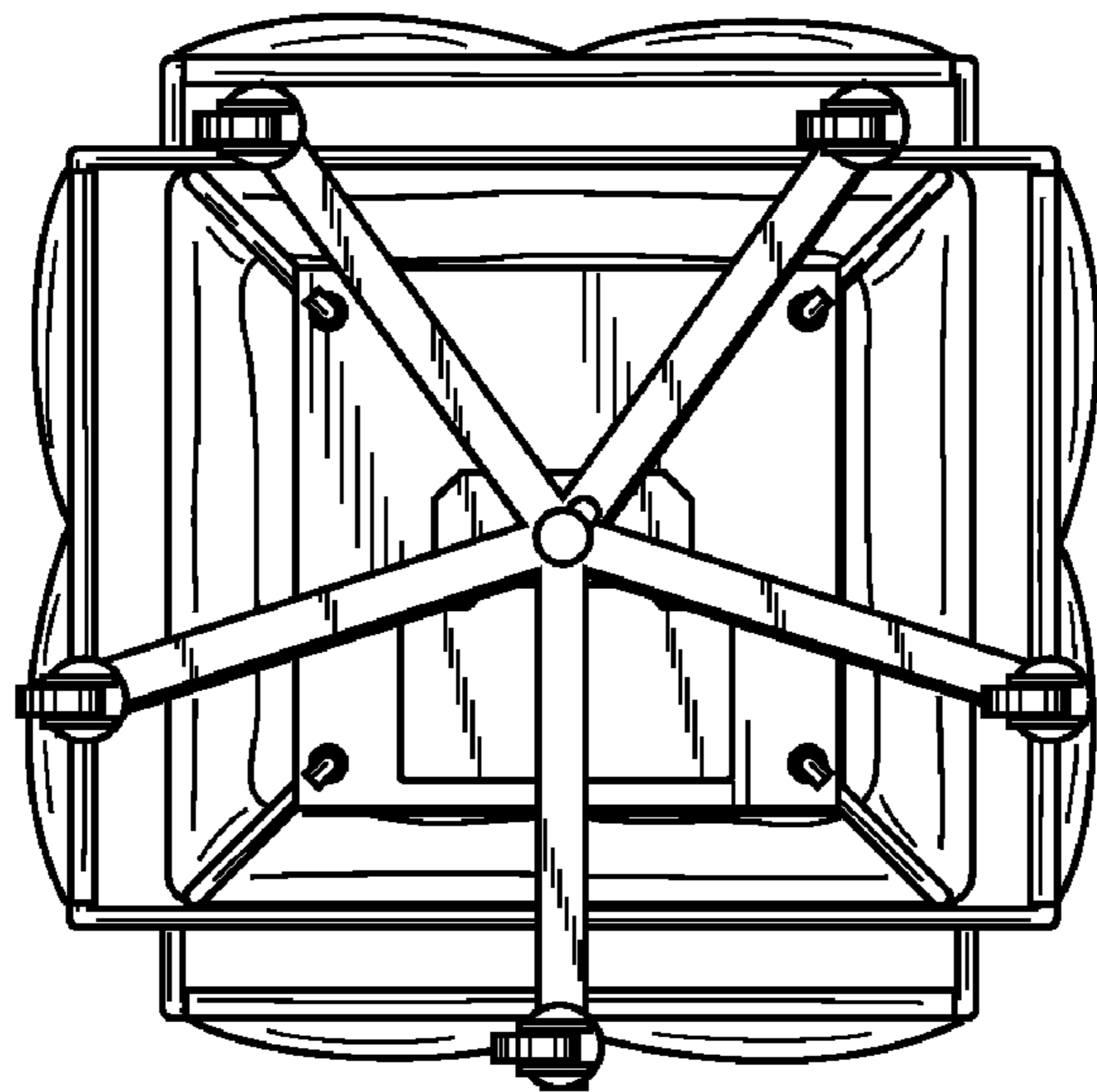


Fig. 9

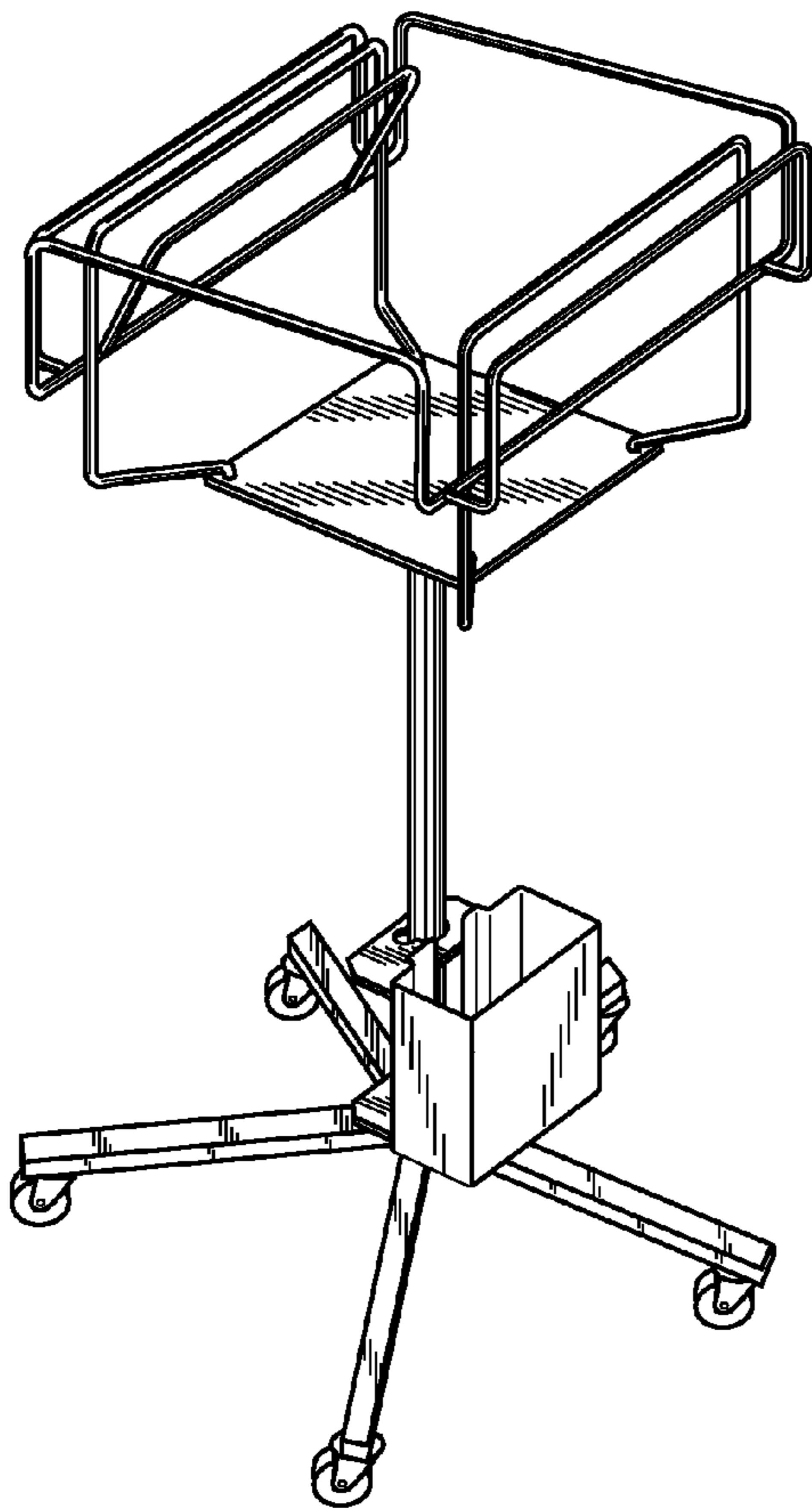


Fig. 10

