



US00D611729S

(12) **United States Design Patent**
Lau

(10) **Patent No.:** **US D611,729 S**
(45) **Date of Patent:** **** Mar. 16, 2010**

(54) **BASKETBALL-SHAPED REMOTE CONTROL HOLDER**

D544,931 S * 6/2007 Laliberty et al. D21/713
2004/0259670 A1* 12/2004 Chang 473/596

(76) Inventor: **Tom Lau**, 12349 Mulhall St., El Monte, CA (US) 91732

* cited by examiner

(**) Term: **14 Years**

Primary Examiner—Philip S Hyder
Assistant Examiner—Sydney R Buffalow

(21) Appl. No.: **29/339,838**

(74) *Attorney, Agent, or Firm*—Blakely, Sokoloff, Taylor & Zafman, LLP

(22) Filed: **Jul. 8, 2009**

(57) **CLAIM**

The ornamental design for a basketball-shaped remote control holder, as shown and described.

- (51) **LOC (9) Cl.** **06-04**
- (52) **U.S. Cl.** **D6/450**
- (58) **Field of Classification Search** D6/455;
D14/351, 300, 440; D21/713; 473/596,
473/604

DESCRIPTION

See application file for complete search history.

FIG. 1 is a perspective view of a remote control holder in the design of a basketball.

FIG. 2 is a front view of the remote control holder. The rear view of the remote control holder is a mirror image of the front view.

FIG. 3 is a side view of the remote control holder. The other side view of the remote control holder is a mirror image of the side view depicted in FIG. 3.

FIG. 4 is a top view of the remote control holder; and,

FIG. 5 is a bottom view of the remote control holder.

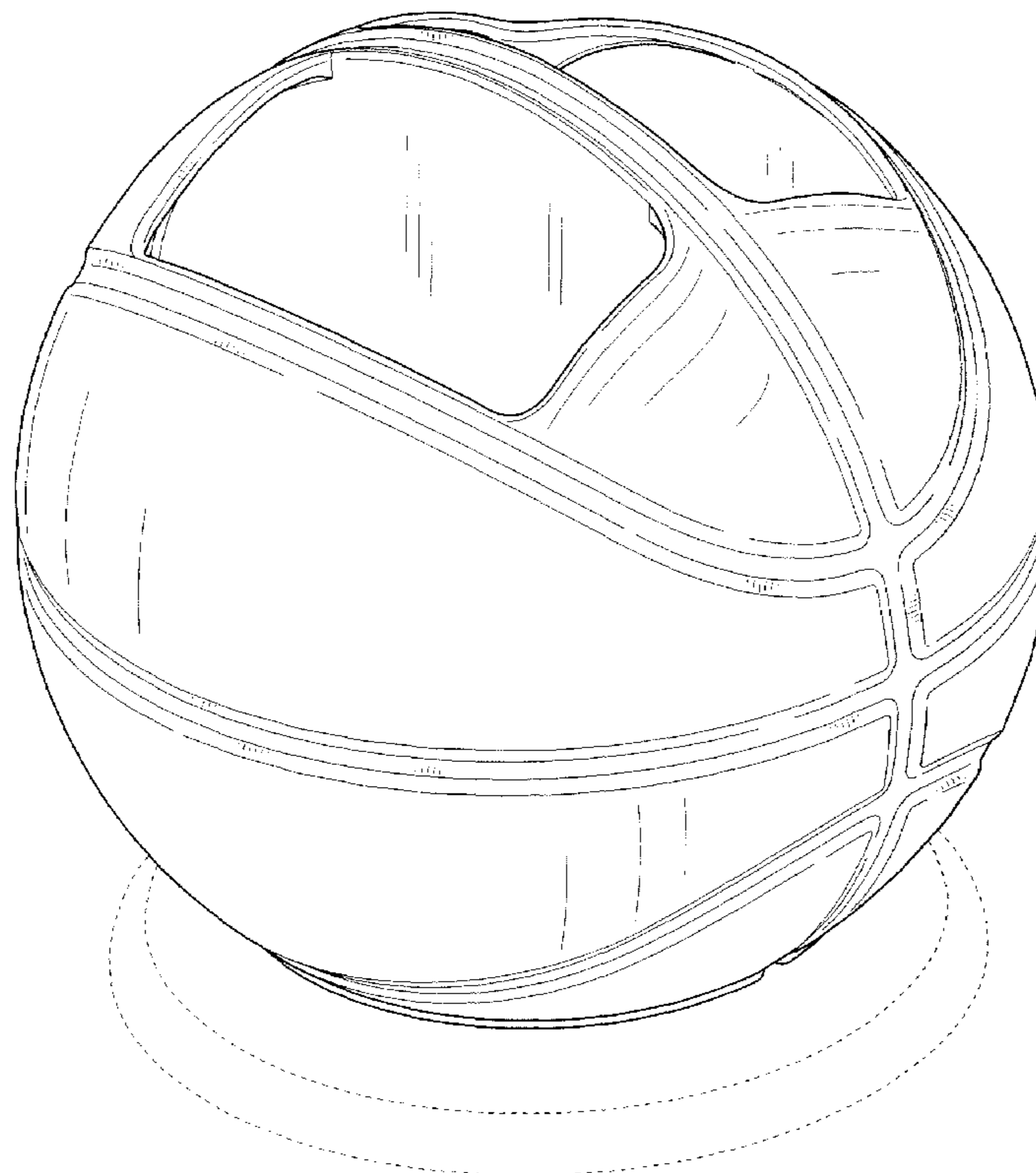
The broken lines in the figures are for environmental purpose only and form no part of the claimed design. Viewpoints not illustrated present no additional ornamental features over those illustrated in the present set of drawings.

(56) **References Cited**

U.S. PATENT DOCUMENTS

- D365,862 S * 1/1996 Shishido et al. D21/713
- D372,469 S * 8/1996 Samborsky D14/440
- 6,099,423 A * 8/2000 Ou 473/604
- D493,856 S * 8/2004 Nishihara D21/713
- D511,191 S * 11/2005 Fryer D21/713
- D515,561 S * 2/2006 Sung D14/300
- D532,841 S * 11/2006 Laliberty et al. D21/713
- D539,858 S * 4/2007 Laliberty et al. D21/713
- D543,250 S * 5/2007 Laliberty et al. D21/713

1 Claim, 5 Drawing Sheets



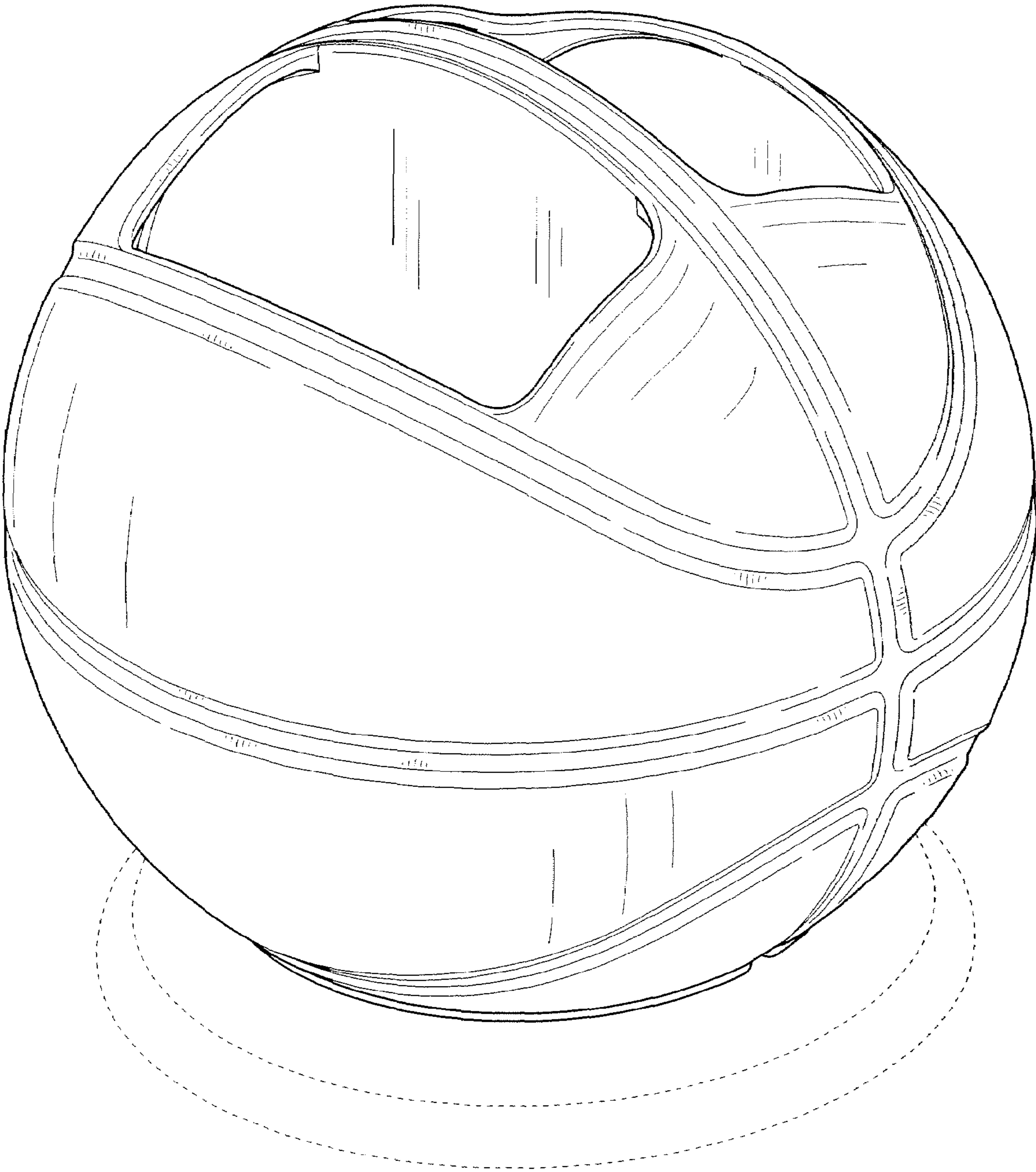


FIG. 1

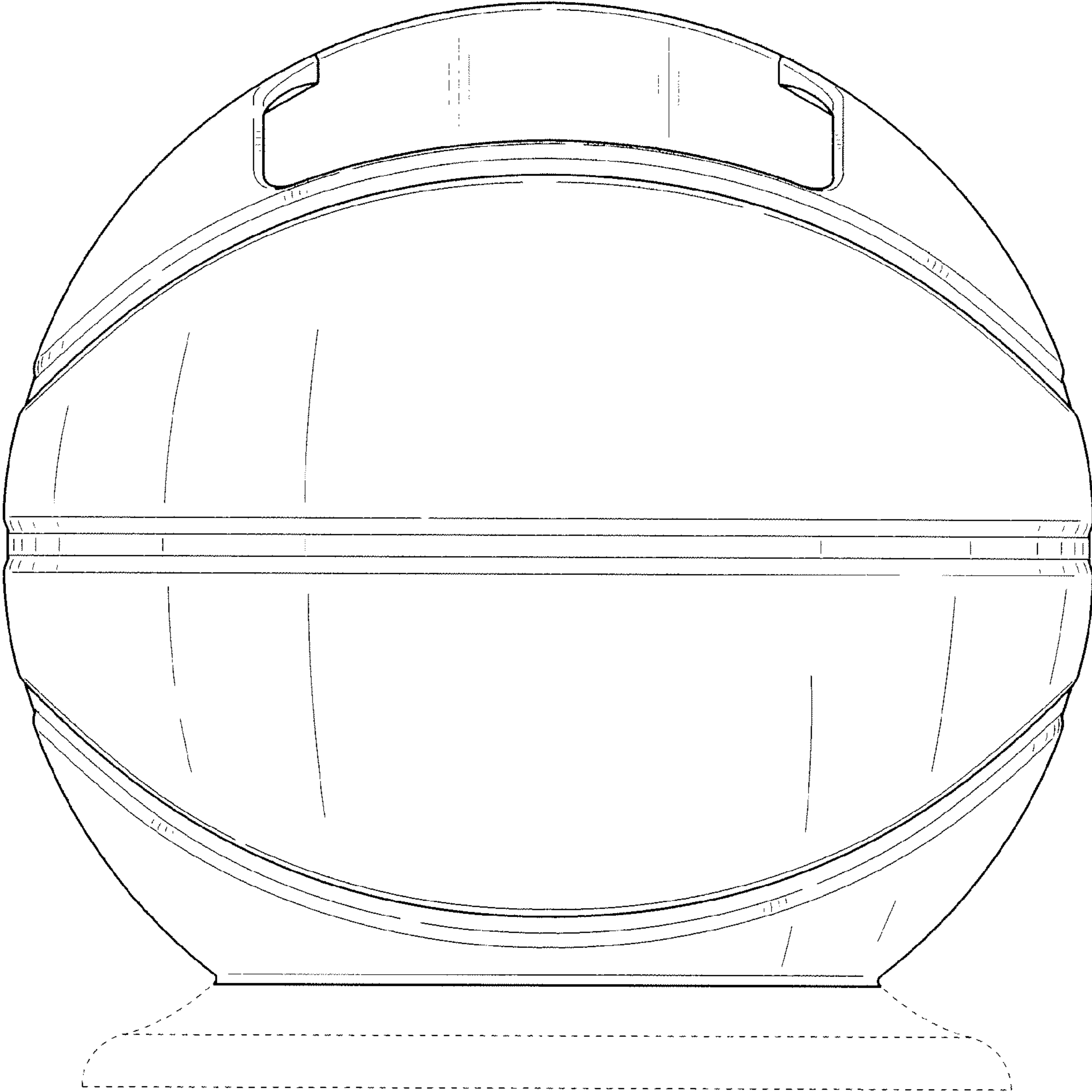


FIG. 2

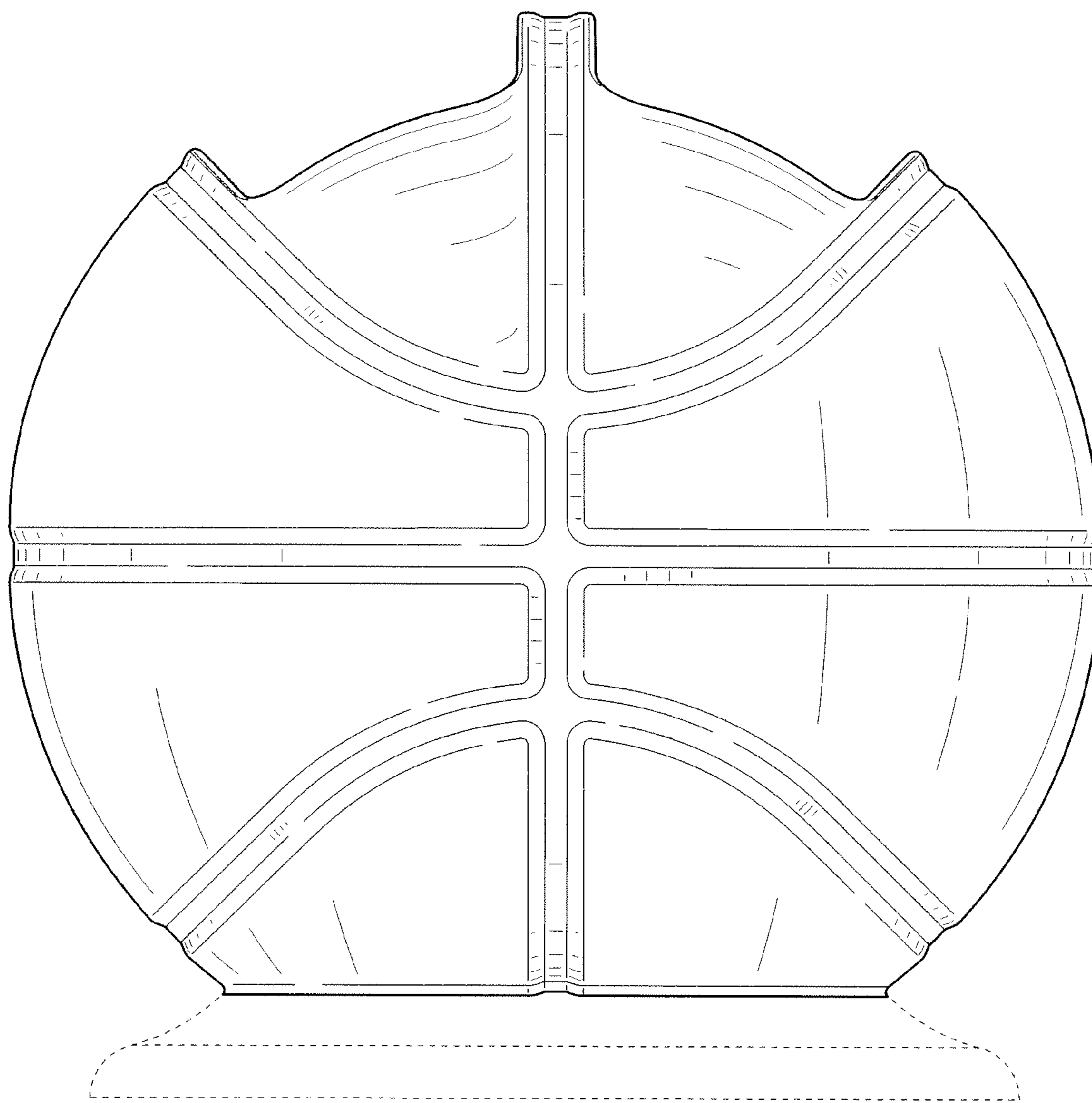


FIG. 3

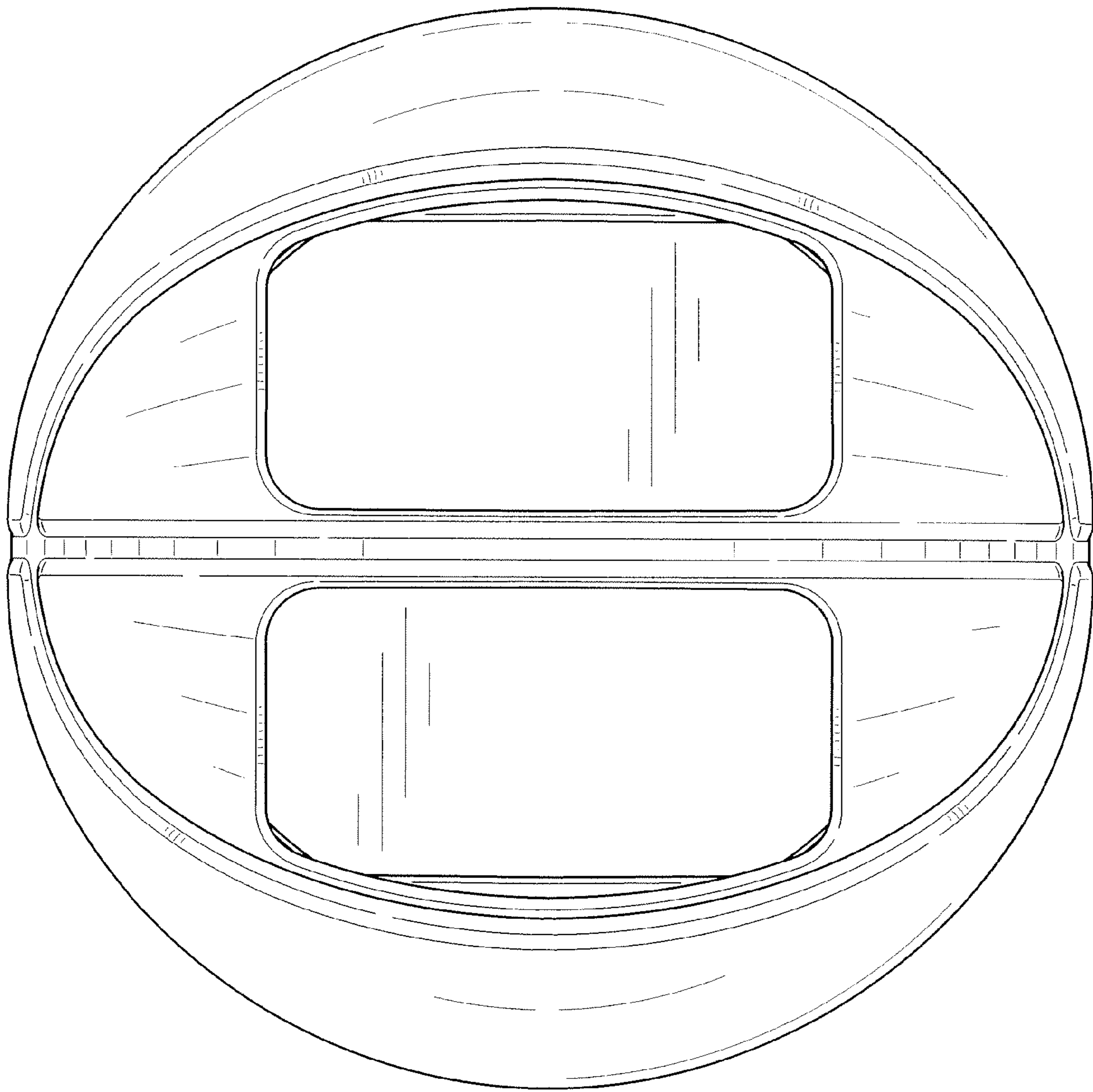


FIG. 4

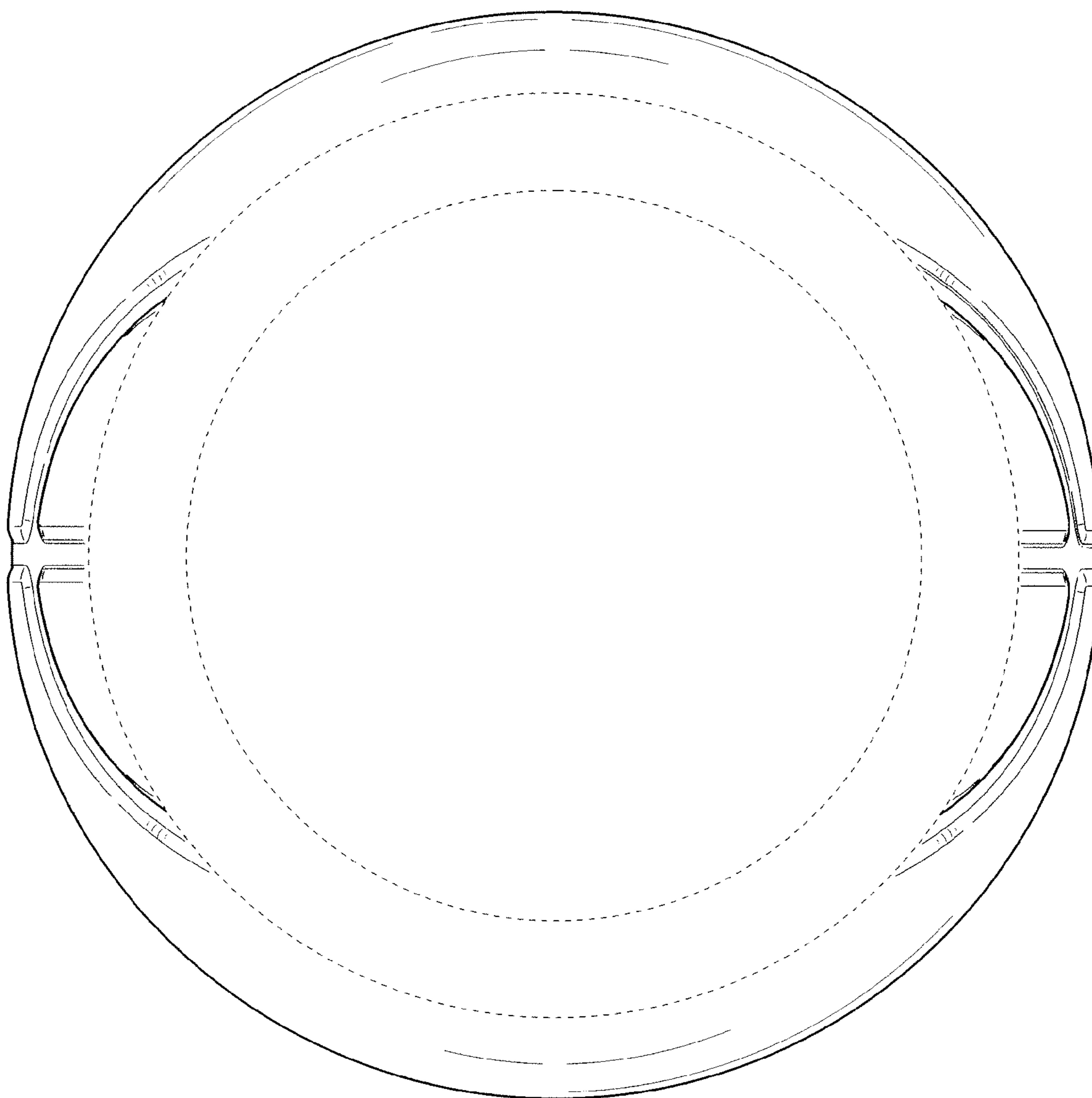


FIG. 5