



US00D611728S

(12) **United States Design Patent**
Nielsen

(10) **Patent No.:** **US D611,728 S**
(45) **Date of Patent:** **** Mar. 16, 2010**

(54) **FRAME ASSEMBLY WITH SHELVES**

(75) Inventor: **Britta Claire Nielsen**, Seattle, WA (US)

(73) Assignee: **Slam Brands, Inc.**, Redmond, WA (US)

(**) Term: **14 Years**

(21) Appl. No.: **29/336,764**

(22) Filed: **May 8, 2009**

(51) **LOC (9) Cl.** **06-04**

(52) **U.S. Cl.** **D6/449; D6/474**

(58) **Field of Classification Search** D6/449,
D6/474, 477-479, 461, 460, 468; 312/7.2,
312/9.1; 108/59, 91, 92, 96; 211/40, 41.12,
211/42, 49.1, 50, 85.2, 90.04, 187, 190, 119.003,
211/134.153, 87.01, 71.01

See application file for complete search history.

(56) **References Cited**

U.S. PATENT DOCUMENTS

D489,548 S *	5/2004	Malizia	D6/477
D491,749 S *	6/2004	Malizia	D6/474
D507,128 S *	7/2005	Choo	D6/477
D517,348 S *	3/2006	Niu	D6/474
D520,268 S *	5/2006	Sexton	D6/479
D525,052 S *	7/2006	Malizia	D6/474
D543,729 S *	6/2007	Weatherly	D6/474
D573,372 S *	7/2008	Gibbs et al.	D6/477

* cited by examiner

Primary Examiner—Philip S Hyder

Assistant Examiner—Sydney R Buffalow

(74) *Attorney, Agent, or Firm*—Turocy & Watson, LLP;
Thomas E. Watson

(57) **CLAIM**

The ornamental design for frame assembly with shelves, as shown and described.

DESCRIPTION

FIG. 1 is a top perspective view of a design for frame assembly with shelves;

FIG. 2 is a bottom perspective view thereof;

FIG. 3 is a left side view thereof mirrored on the right side;

FIG. 4 is a front side view thereof;

FIG. 5 is a back side view thereof;

FIG. 6 is the back side view without environmental elements blocking a view thereof;

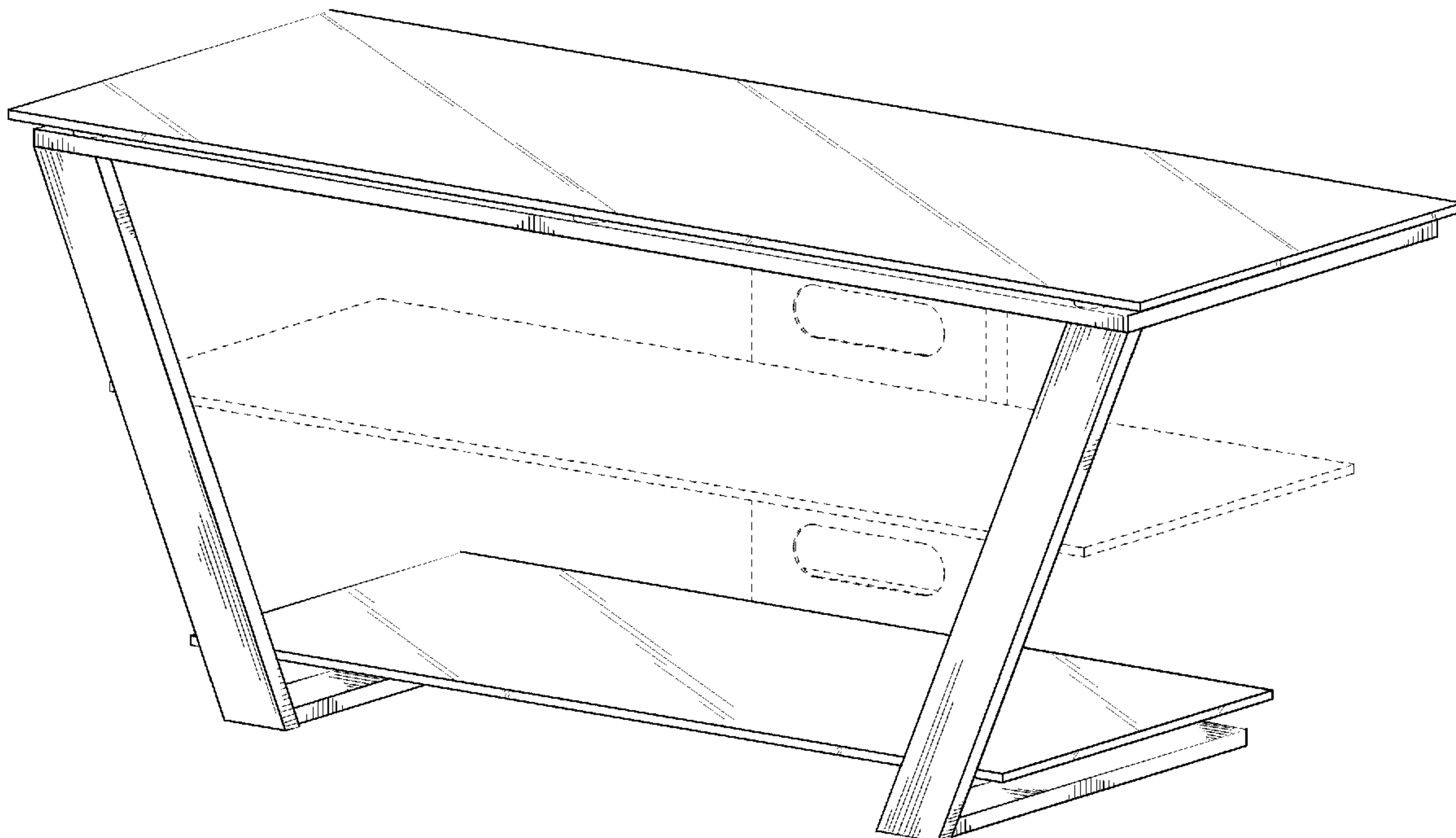
FIG. 7 is a top plan view thereof;

FIG. 8 is a bottom plan view thereof; and,

FIG. 9 is the bottom plan view without environmental elements blocking a view thereof.

The dashed lines in the drawings are shown for environmental purposes and form no part of the claimed design.

1 Claim, 9 Drawing Sheets



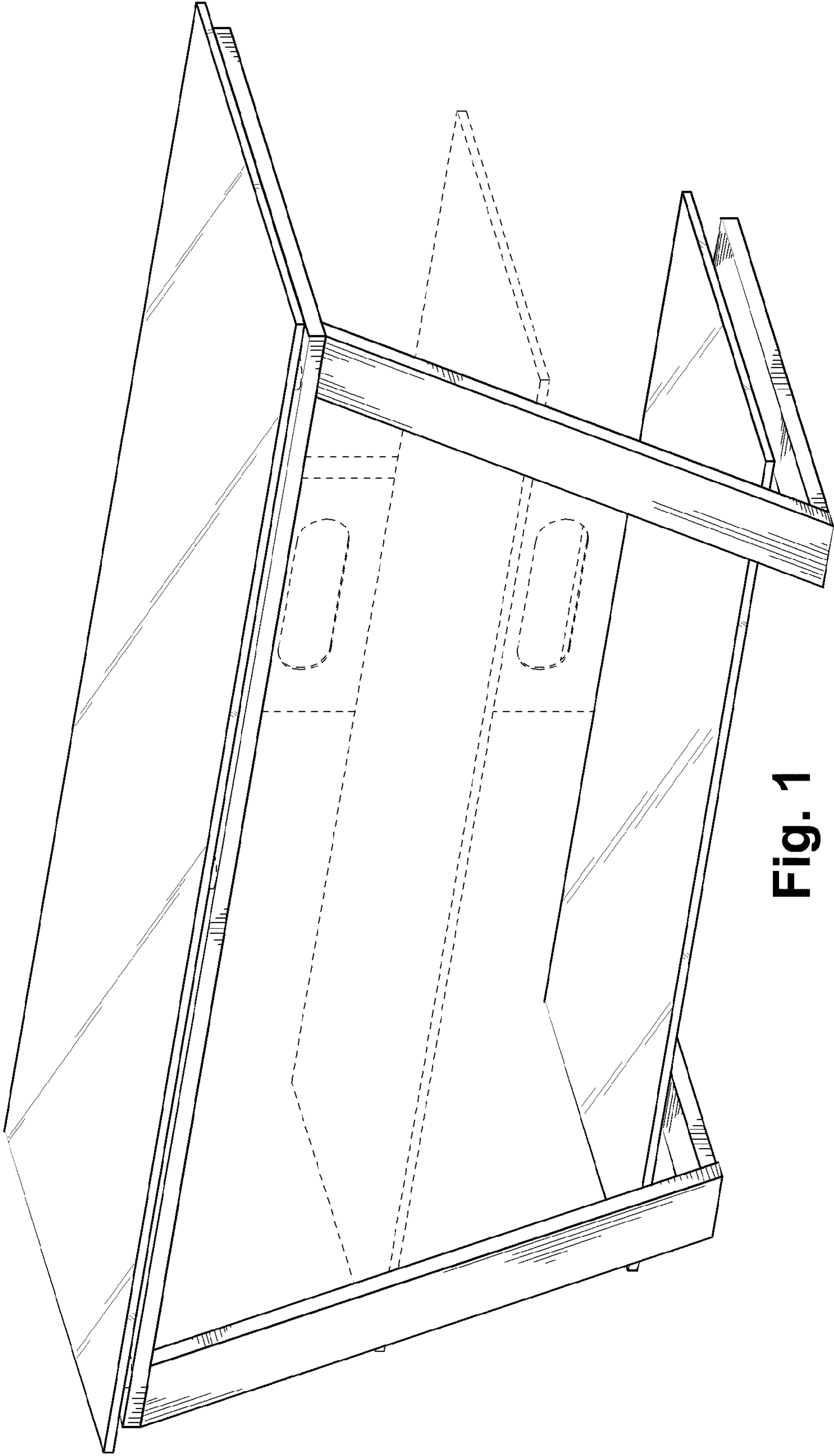


Fig. 1

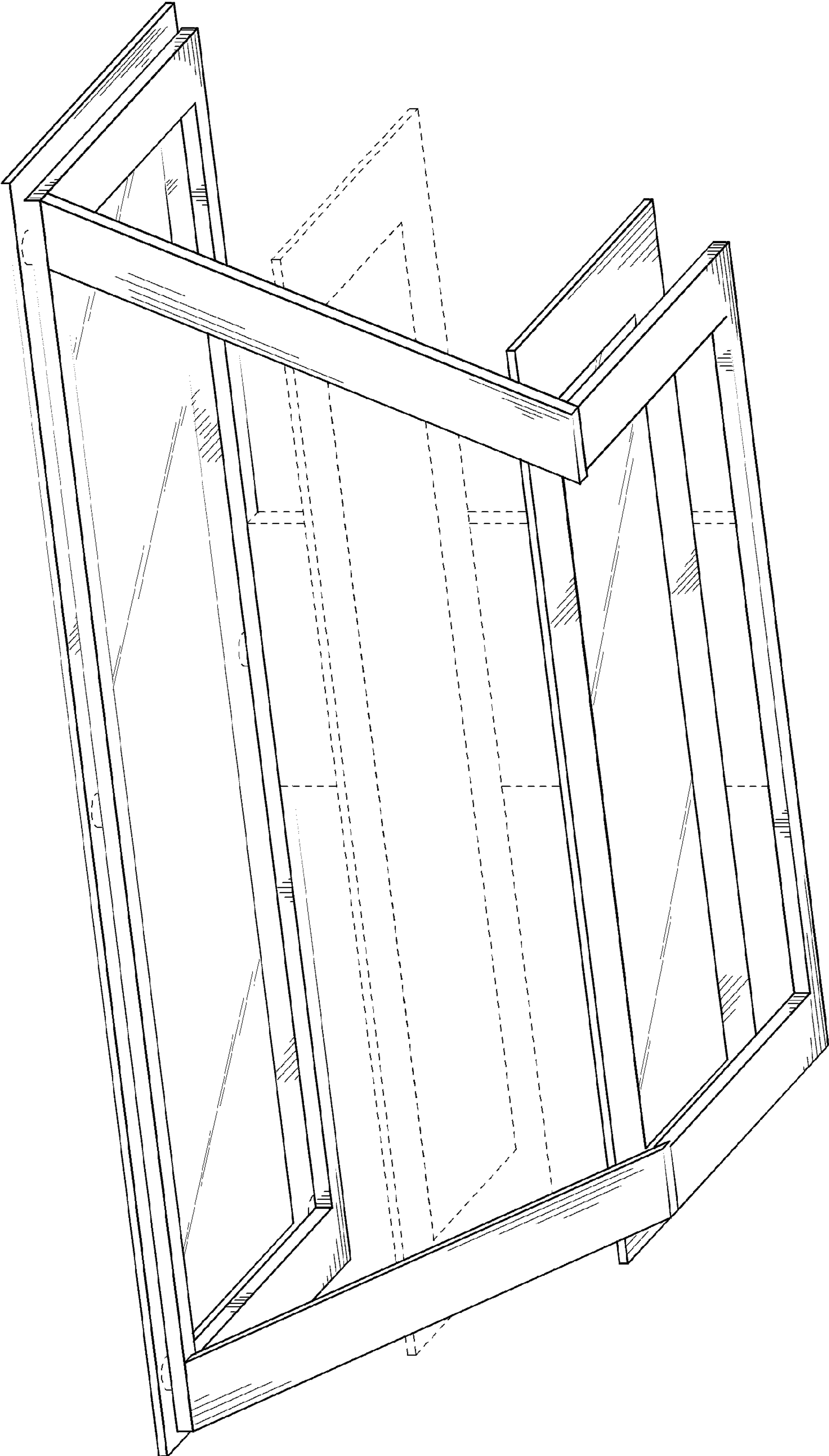


Fig. 2

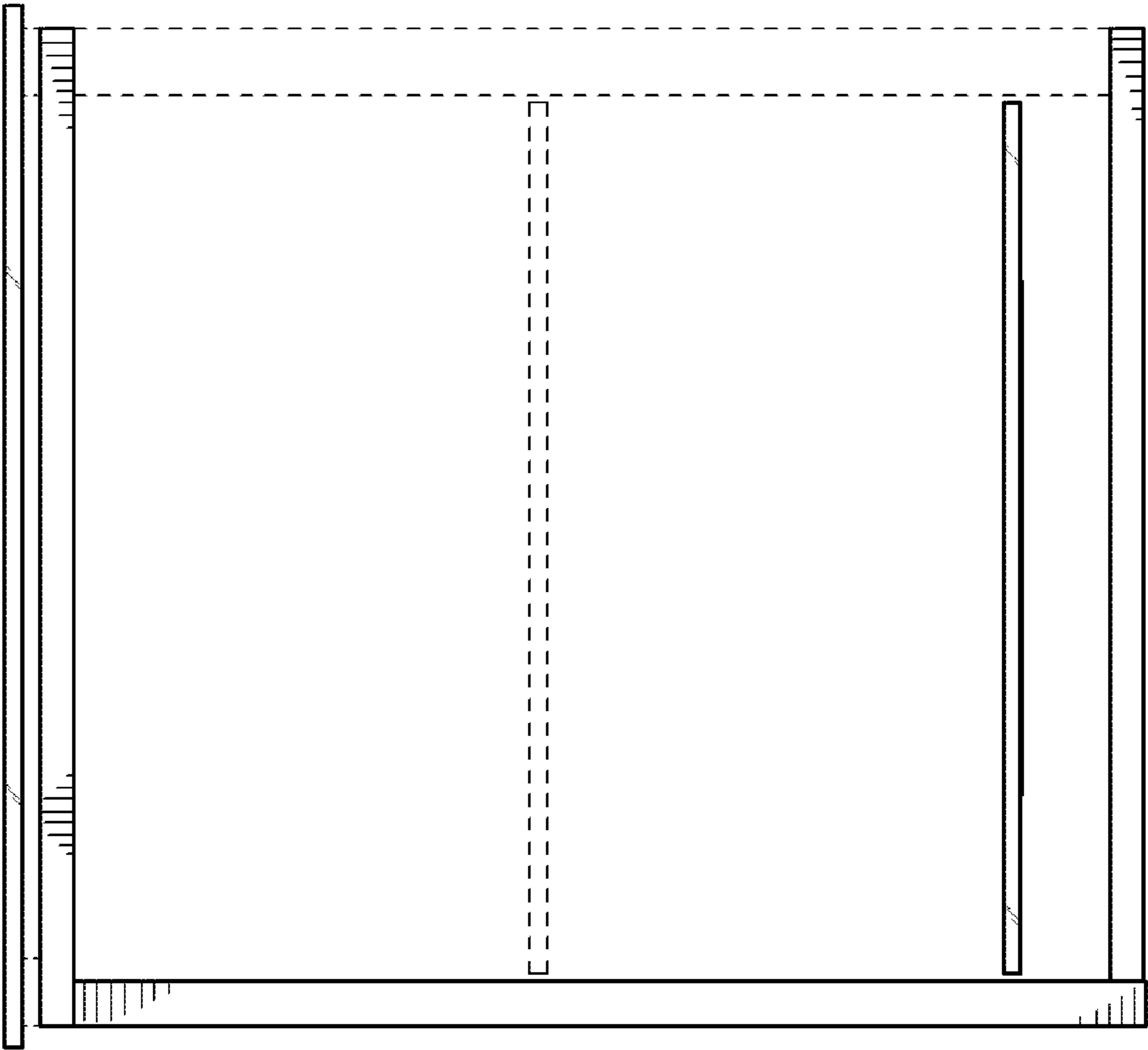


Fig. 3

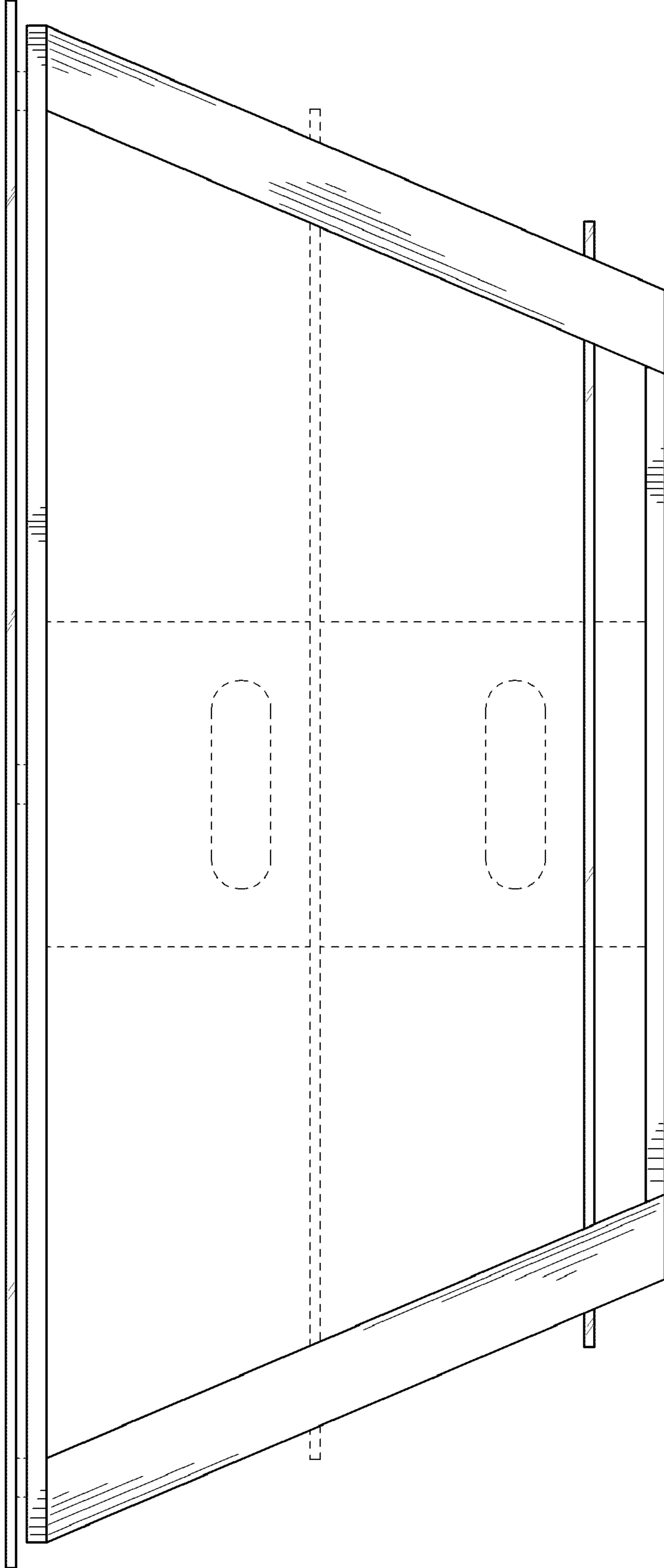


Fig. 4

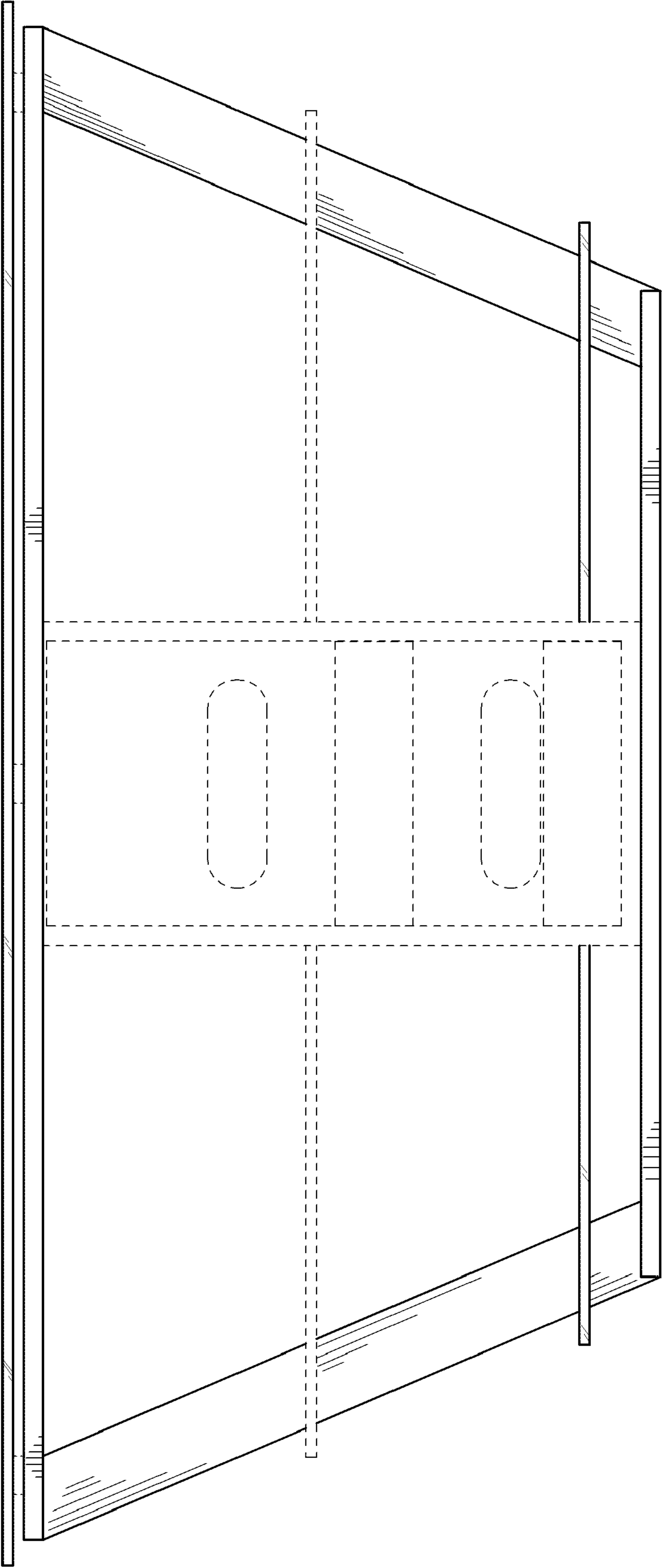


Fig. 5

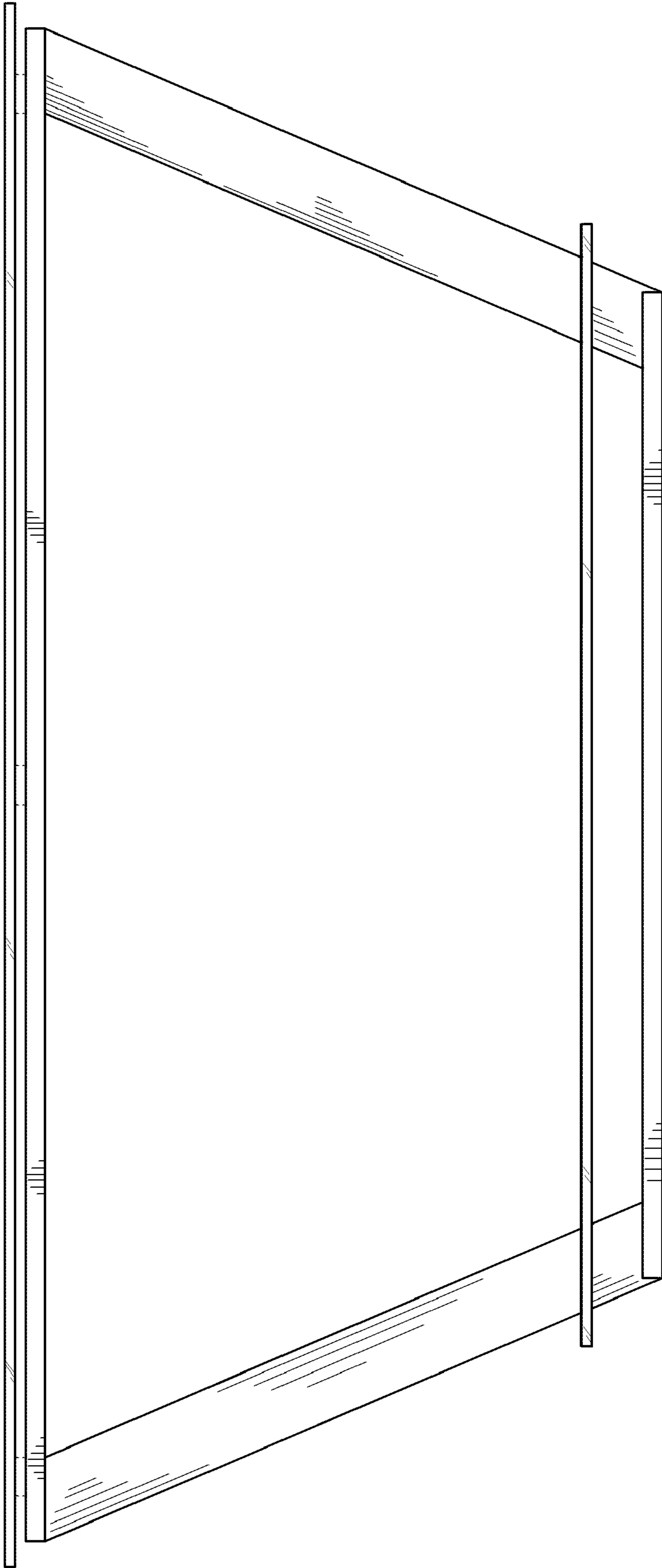


Fig. 6

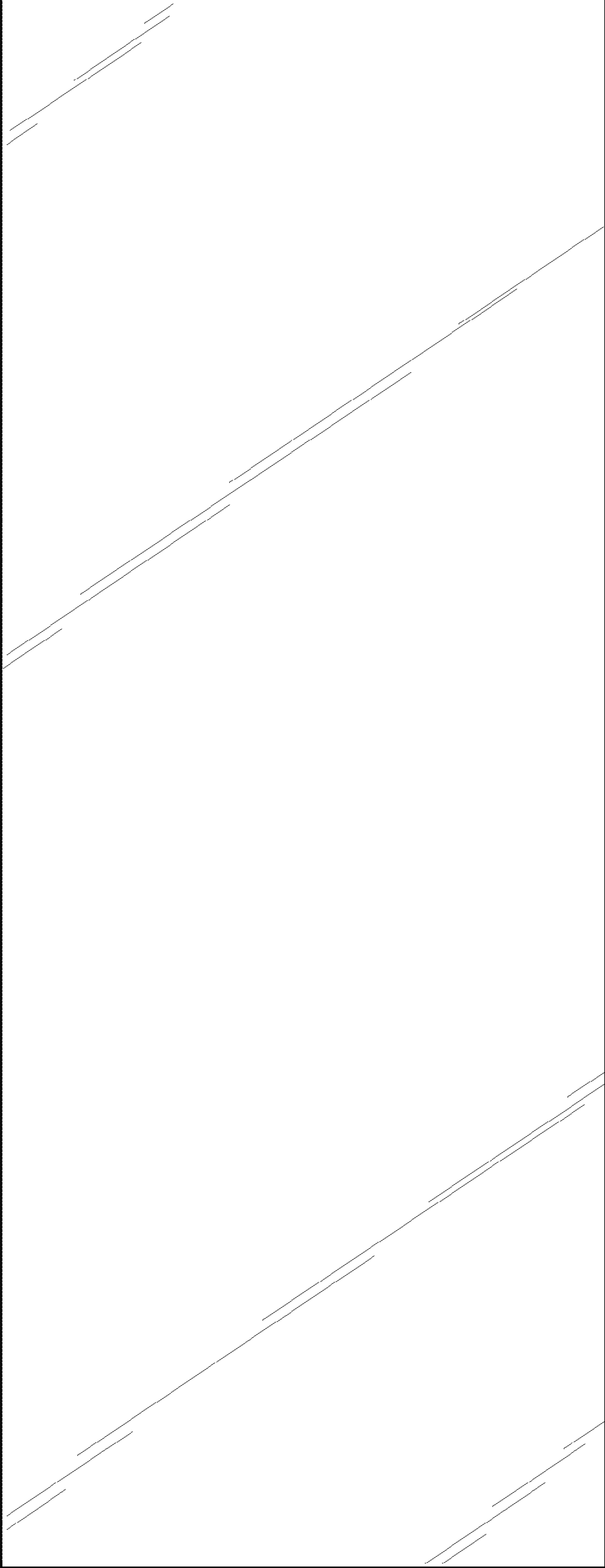


Fig. 7

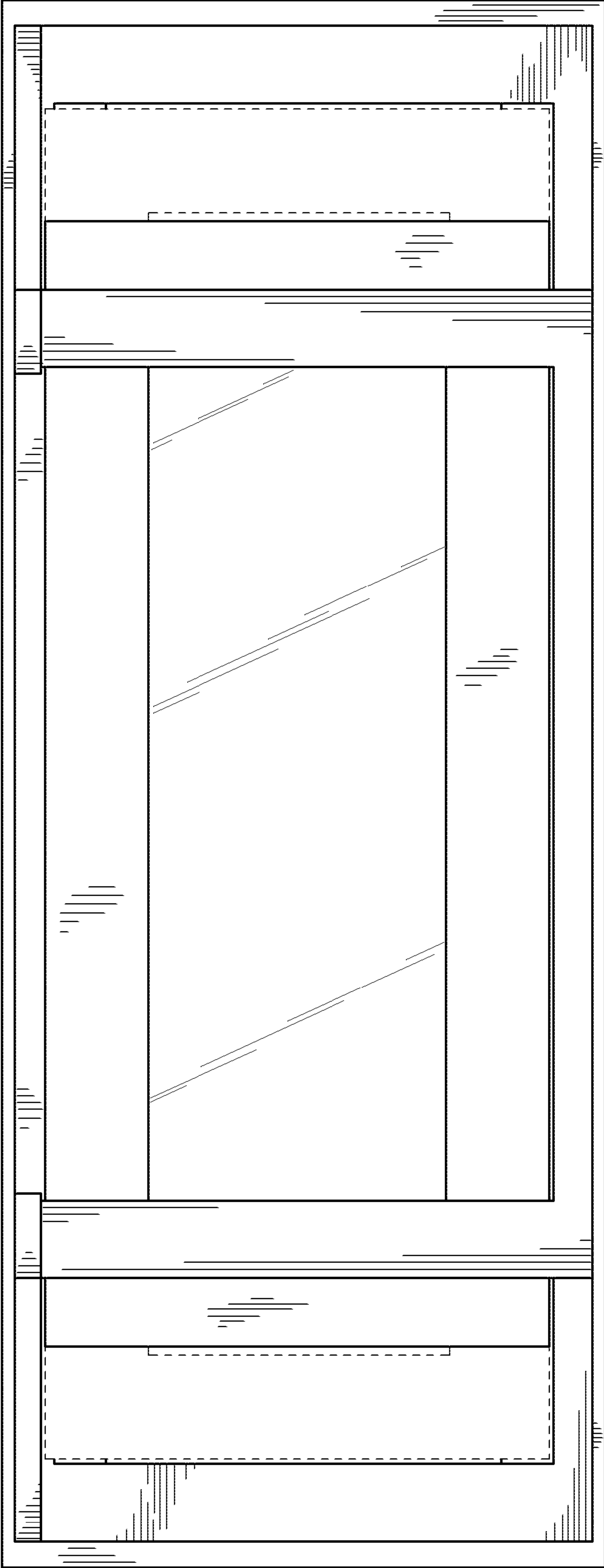


Fig. 8

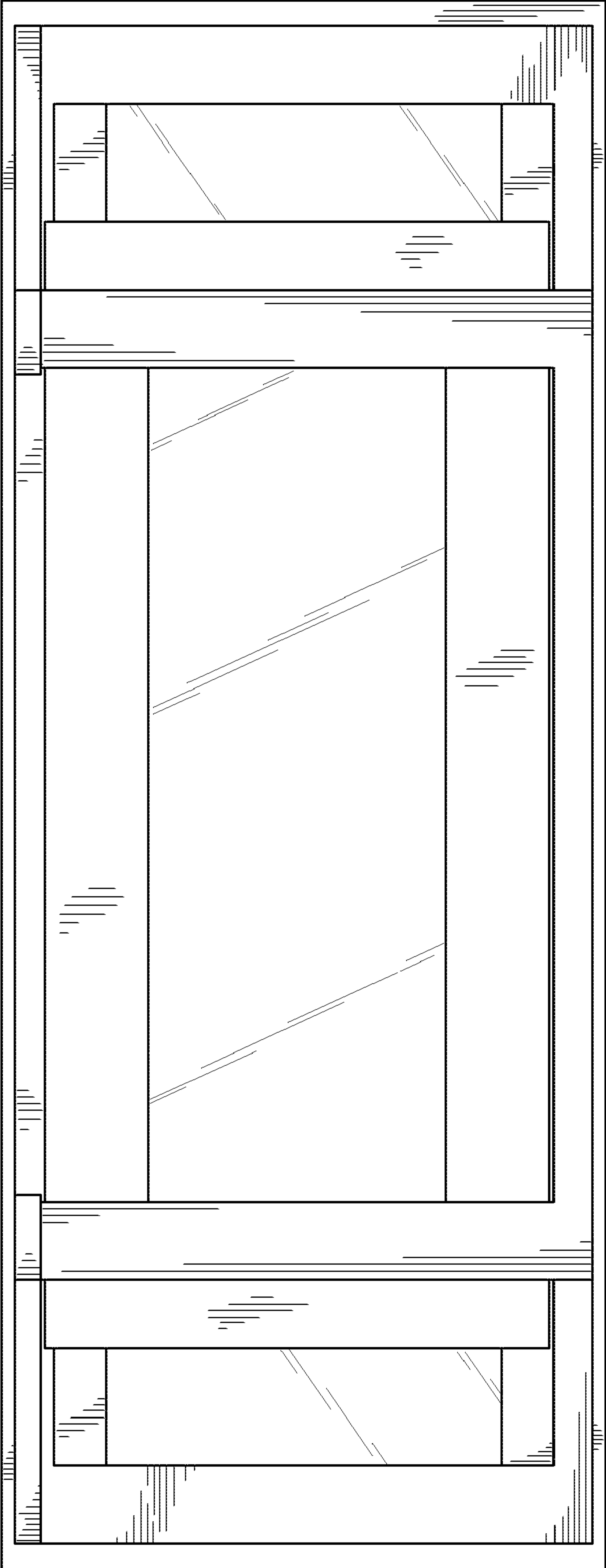


Fig. 9