



US00D611725S

(12) **United States Design Patent**  
**Hanni**

(10) **Patent No.:** **US D611,725 S**  
(45) **Date of Patent:** **\*\* Mar. 16, 2010**

(54) **HAND MADE FLY-TYING TABLE**

D504,000 S \* 4/2005 Underbrink et al. .... D34/21  
D535,490 S \* 1/2007 Wise ..... D6/400  
D583,167 S \* 12/2008 Stengel et al. .... D6/477

(75) Inventor: **Mark Andrew Hanni**, Ashland, KY  
(US)

\* cited by examiner

(73) Assignee: **Mark A. Hanni**, Ashland, KY (US)

*Primary Examiner*—Caron Veynar  
*Assistant Examiner*—Kelley A Donnelly

(\*\*) Term: **14 Years**

(21) Appl. No.: **29/317,268**

(57) **CLAIM**

(22) Filed: **Apr. 25, 2008**

The ornamental design for a hand made fly-tying table, as shown and described.

(51) **LOC (9) Cl.** ..... **06-02**

(52) **U.S. Cl.** ..... **D6/399**

(58) **Field of Classification Search** ..... D6/422,  
D6/397-399, 400, 420, 429, 431, 479; 108/60;  
248/163.1, 165

See application file for complete search history.

**DESCRIPTION**

FIG. 1 is a perspective view of a hand made fly-tying table, showing my new design;

FIG. 2 is a front elevational view of the invention;

FIG. 3 is a rear elevational view of the invention;

FIG. 4 is a left-side elevational view of the invention;

FIG. 5 is a right-side elevational view of the invention;

FIG. 6 is a top plan view of the invention; and,

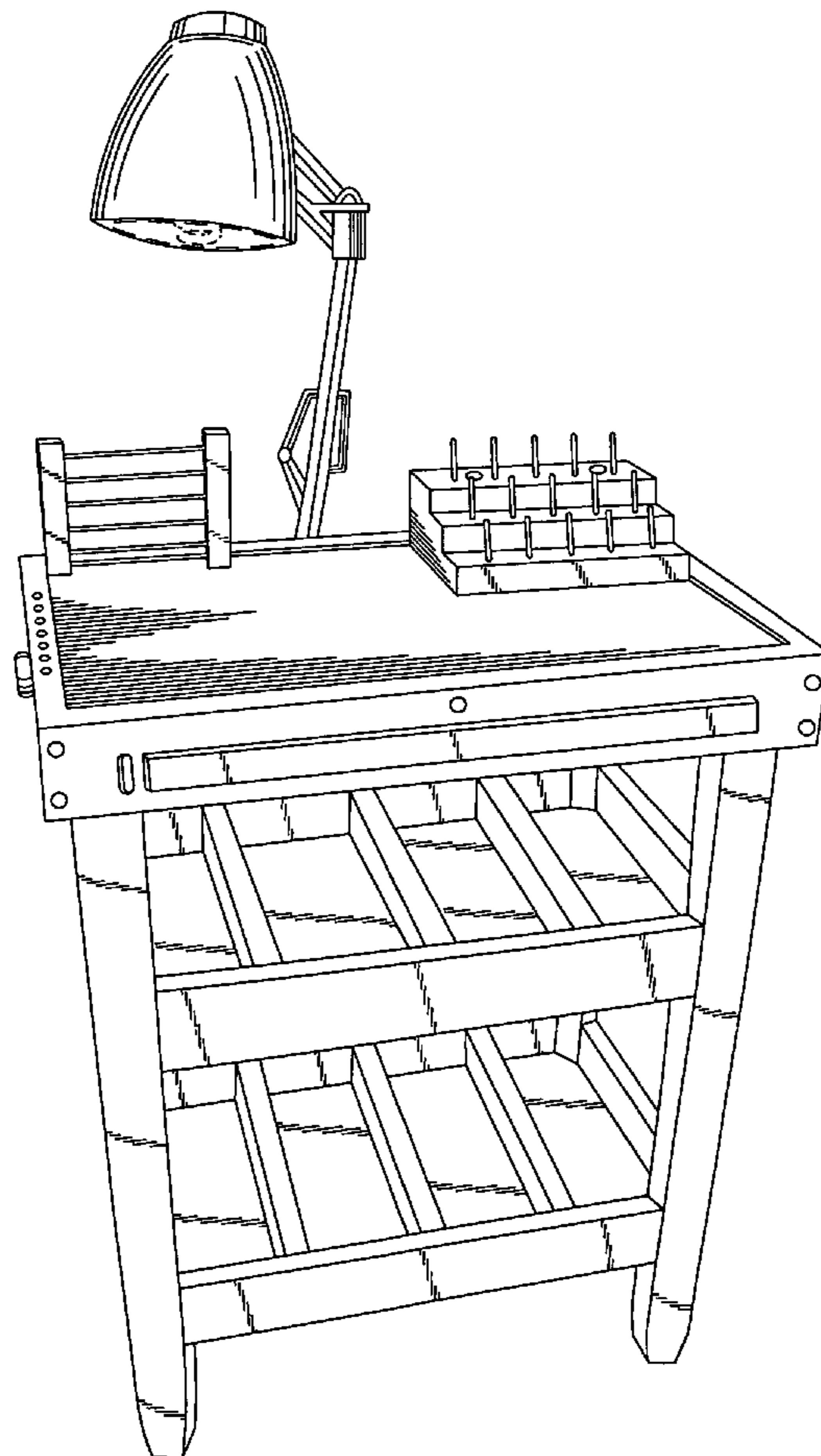
FIG. 7 is a bottom plan view of the invention.

(56) **References Cited**

**U.S. PATENT DOCUMENTS**

D266,128 S \* 9/1982 Ferdinand et al. .... D6/400  
D327,790 S \* 7/1992 Sharar ..... D6/422  
D374,996 S \* 10/1996 Noniewicz ..... D6/400  
D403,826 S \* 1/1999 Tisbo et al. .... D34/24  
D406,431 S \* 3/1999 Tisbo et al. .... D34/20

**1 Claim, 3 Drawing Sheets**



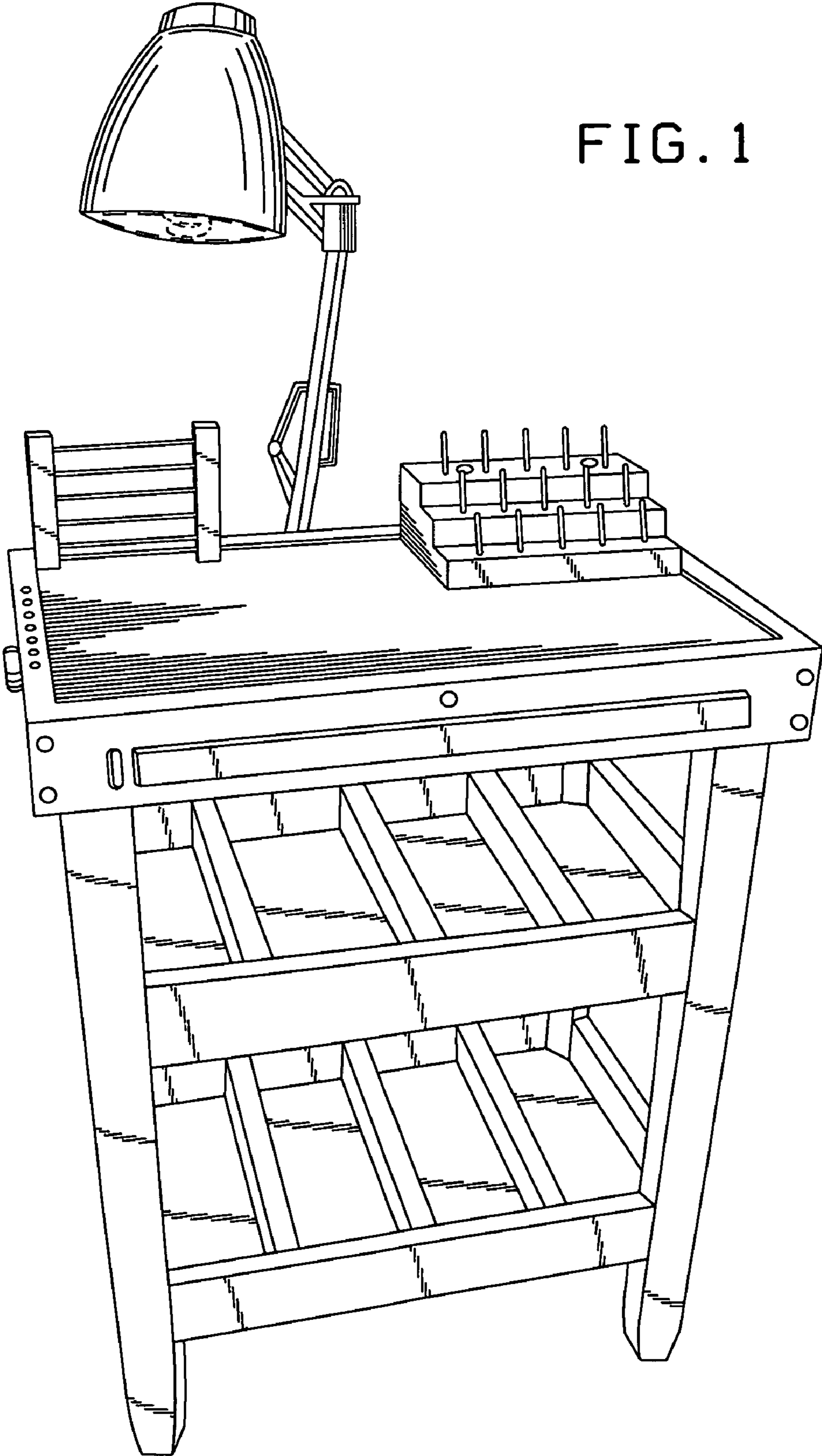


FIG. 1

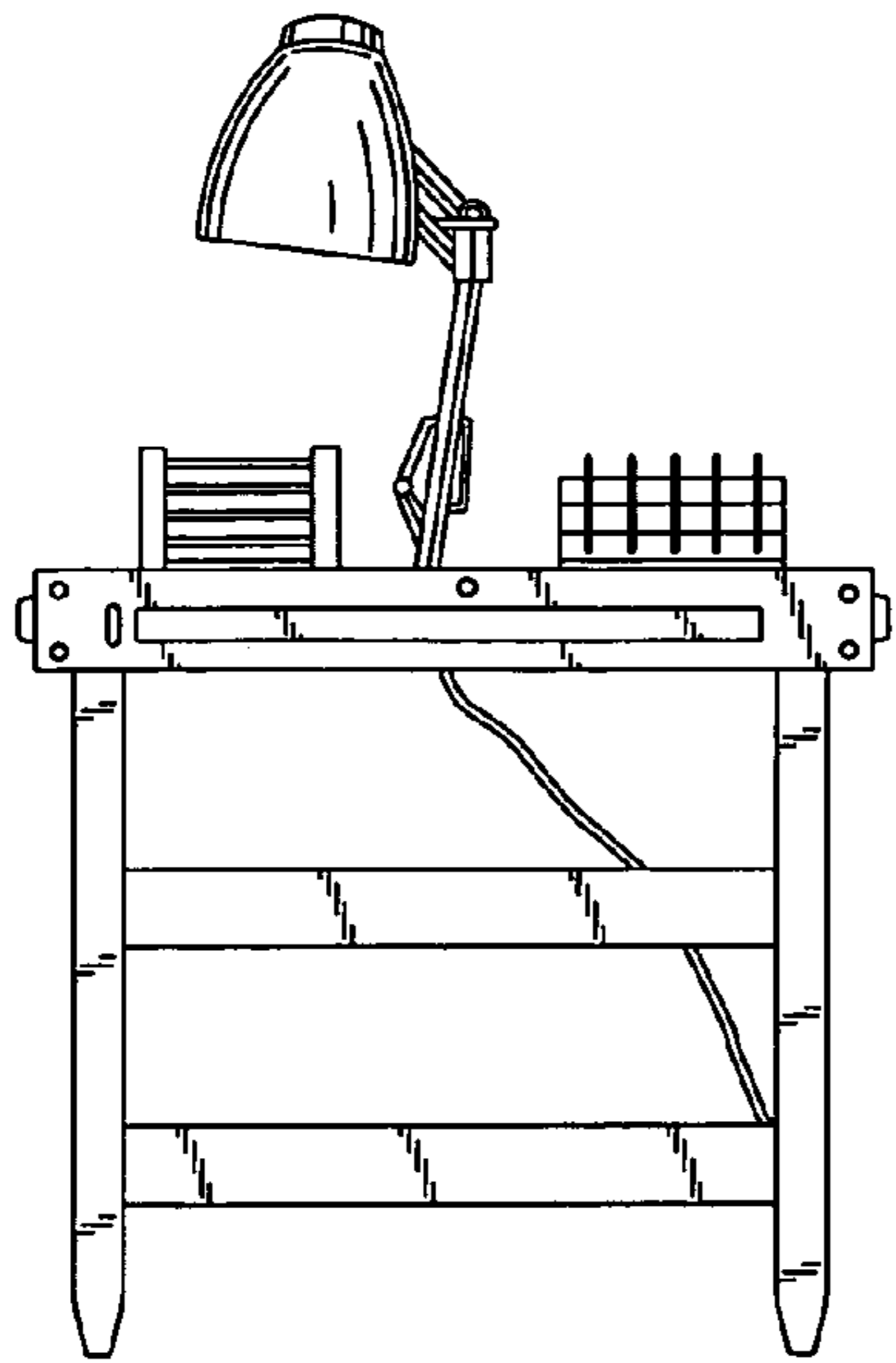


FIG. 2

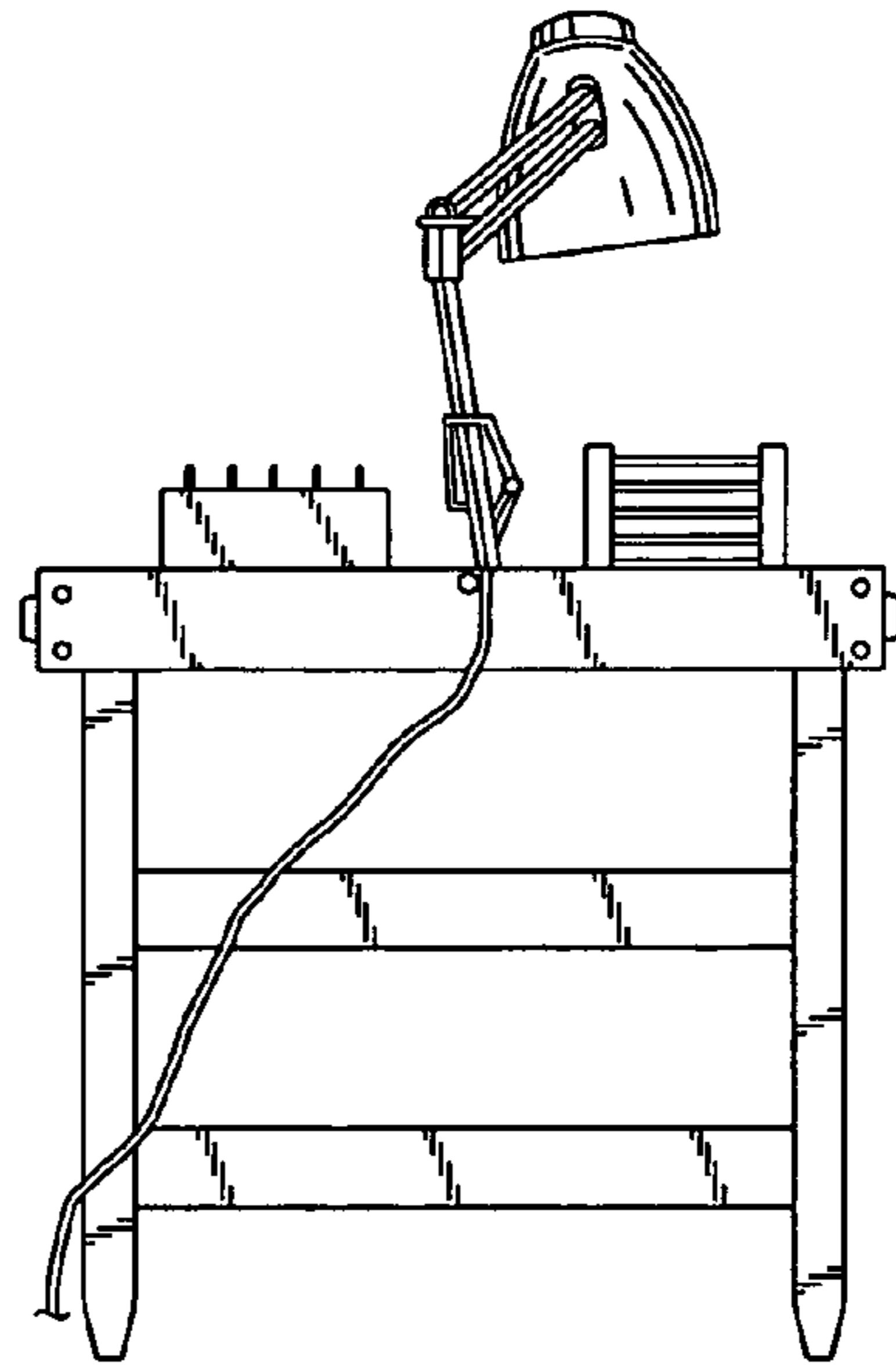


FIG. 3

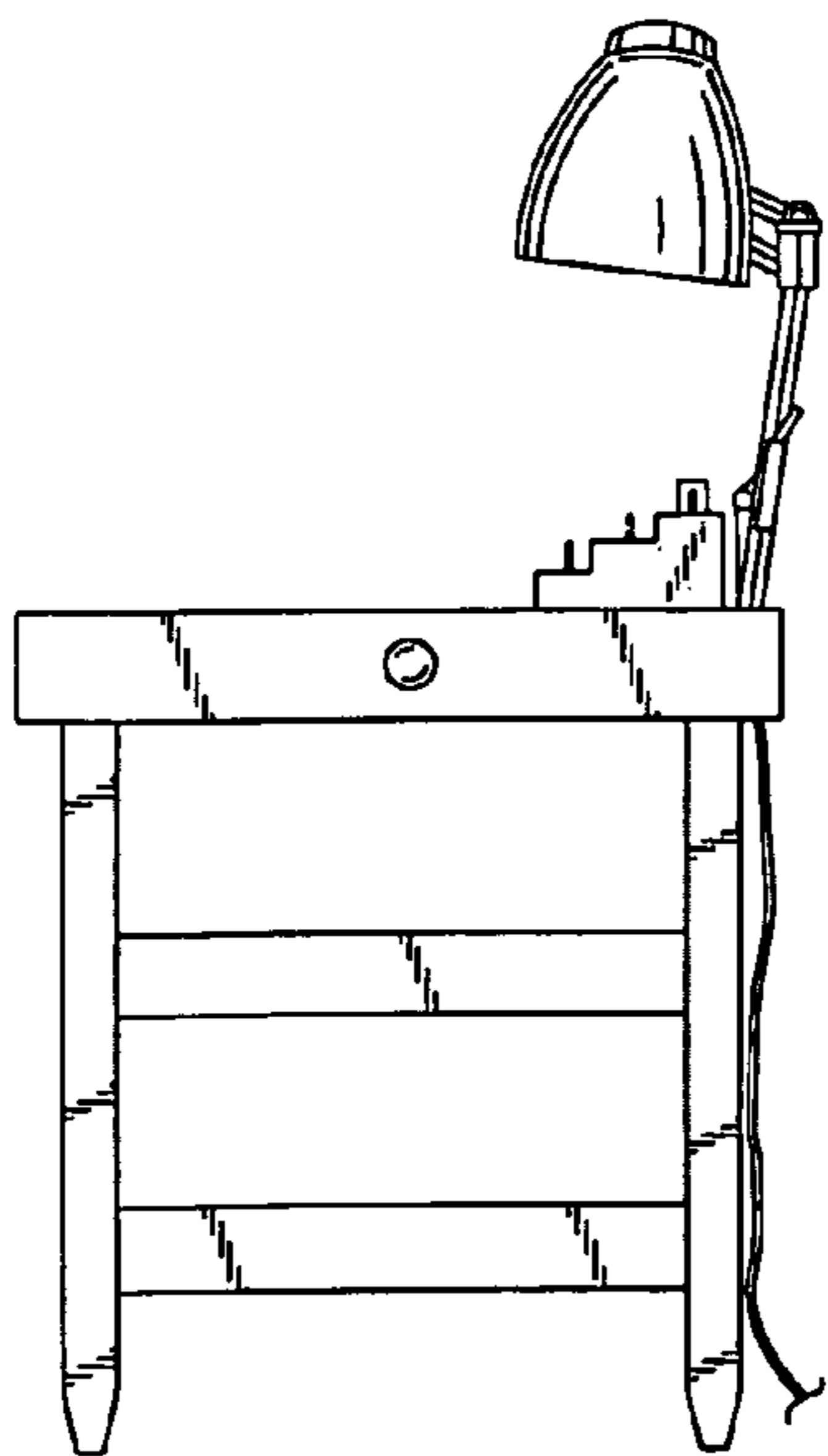


FIG. 4

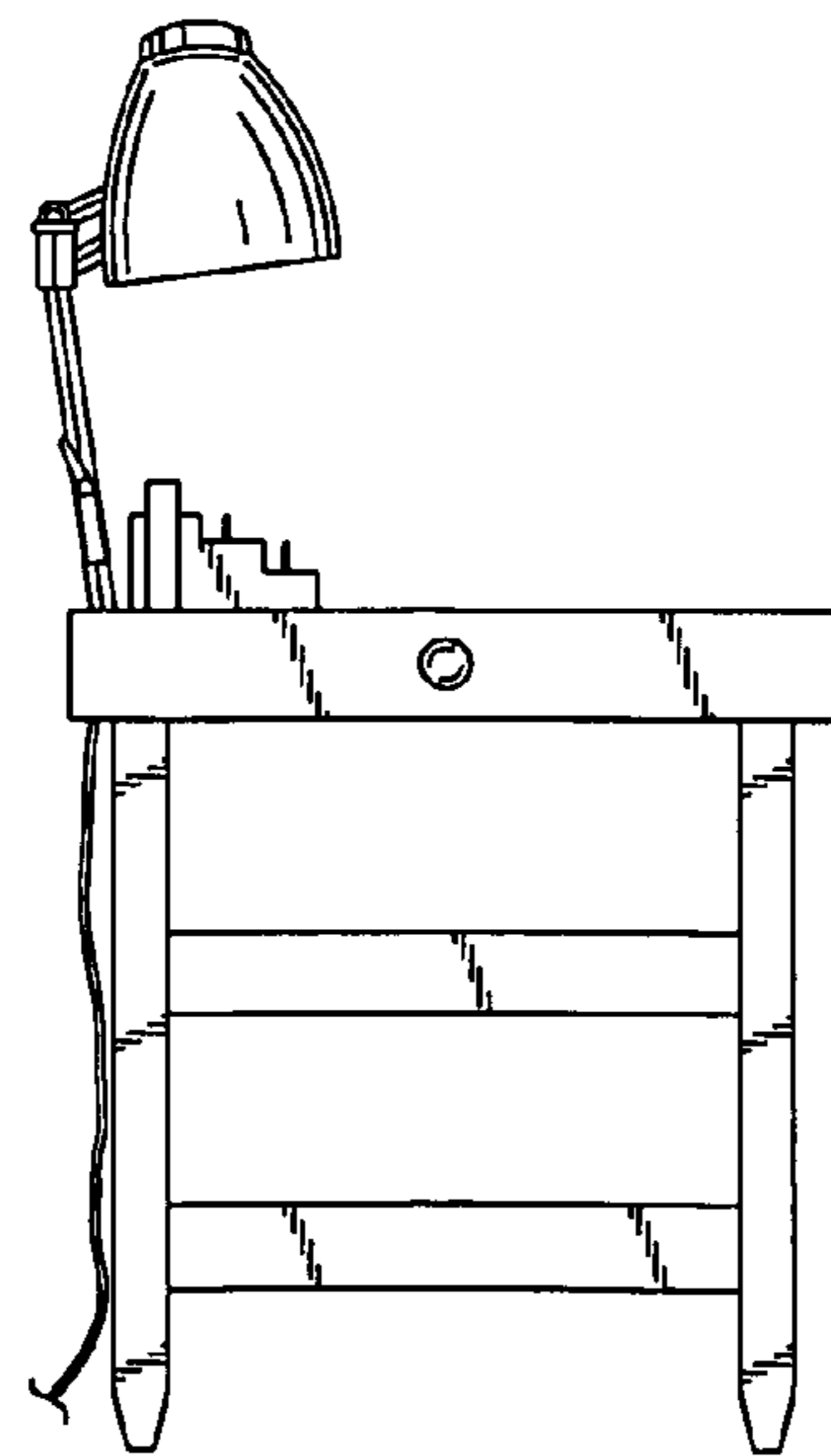


FIG. 5

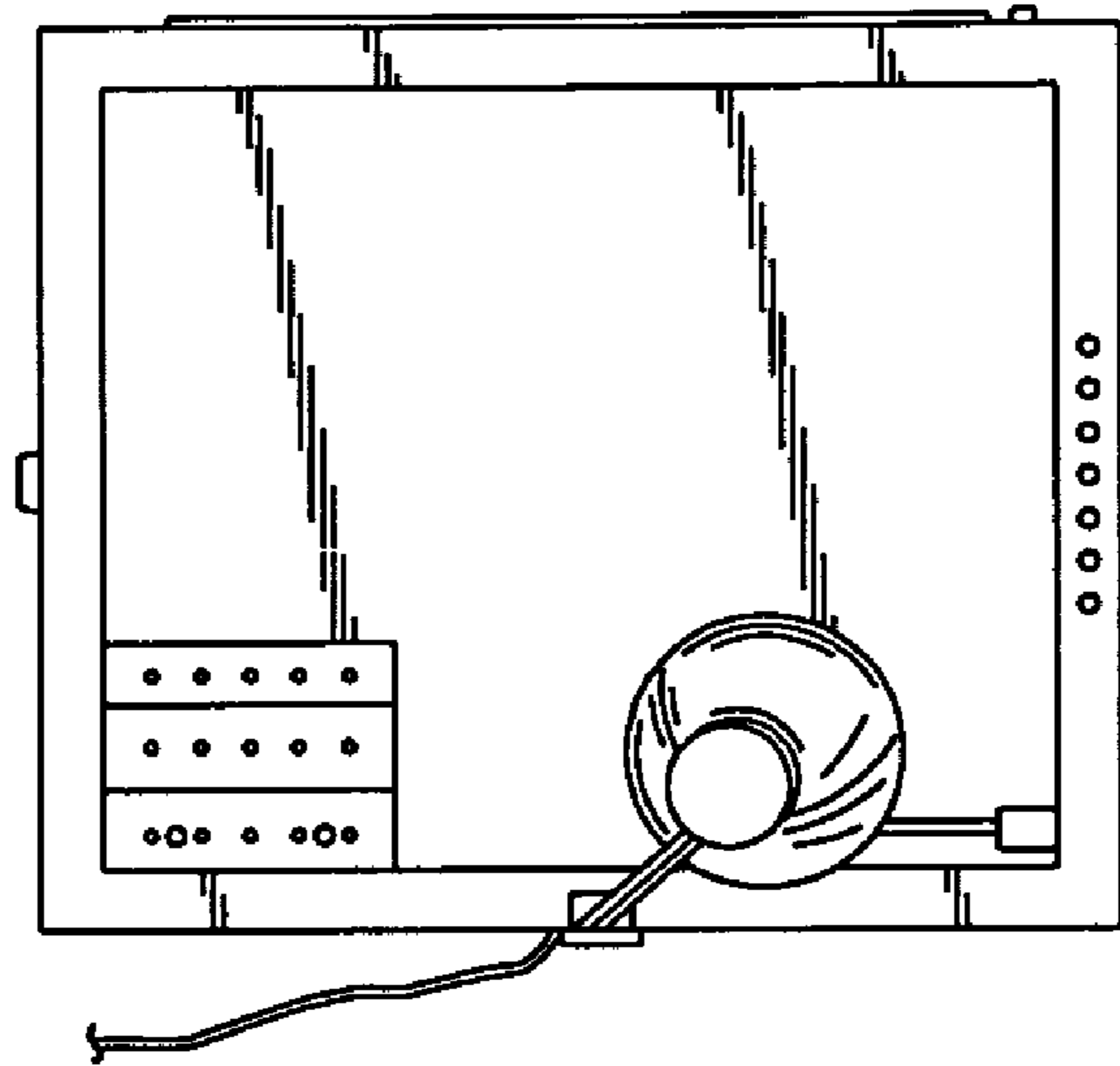


FIG. 6

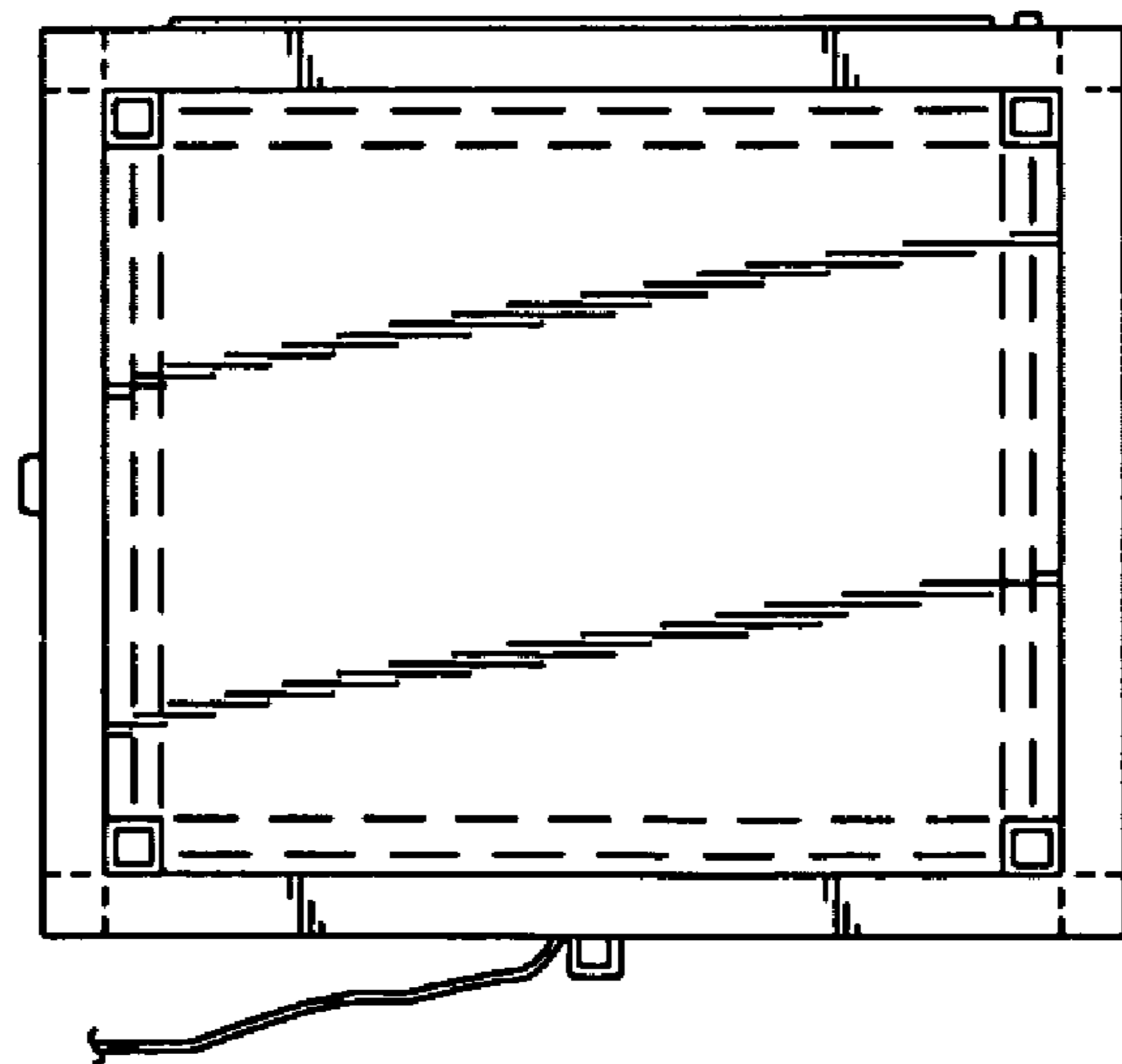


FIG. 7