



US00D611723S

(12) **United States Design Patent**  
**Everson**

(10) **Patent No.:** **US D611,723 S**  
(45) **Date of Patent:** **\*\* Mar. 16, 2010**

(54) **SLEIGH BED**

(75) Inventor: **Terry A. Everson**, Blair, WI (US)

(73) Assignee: **Ashley Furniture Industries, Inc.**,  
Arcadia, WI (US)

(\*\*) Term: **14 Years**

(21) Appl. No.: **29/313,626**

(22) Filed: **Jan. 27, 2009**

(51) **LOC (9) Cl.** ..... **06-02**

(52) **U.S. Cl.** ..... **D6/393**

(58) **Field of Classification Search** ..... D6/382-384,  
D6/388, 392-395, 505-508; 5/53.1, 907,  
5/279.1, 280, 281

See application file for complete search history.

(56) **References Cited**

**U.S. PATENT DOCUMENTS**

D429,084 S	8/2000	Wistehuff, Sr.	
D443,773 S	6/2001	O'Hare et al.	
D450,946 S	11/2001	Vaaler	
D457,346 S	5/2002	O'Hare	
D463,156 S	9/2002	Lenger	
D470,330 S	2/2003	Vaaler	
D484,329 S *	12/2003	Risdon et al.	D6/393
D494,773 S *	8/2004	Domack	D6/393
D514,350 S *	2/2006	Berry et al.	D6/393
D525,046 S	7/2006	Mohundro	
D542,050 S	5/2007	Domack et al.	
D561,489 S *	2/2008	Domack et al.	D6/389
D564,777 S	3/2008	Mohundro	

**OTHER PUBLICATIONS**

Ashley Furniture, Hampton Lane B467, prior to Jan. 27, 2009.  
Ashley Furniture, Pan Casari B495, Copyright 2003.

Ashley Furniture, Summit Avenue B517, Copyright 2002.  
Bernhardt Stonebrier, prior to Jan. 27, 2009.  
Ashley Product Catalog Spring 2005, Burlington Place B389-68-66-  
99-93, p. 121, vol. 7, Series 1, Ashley® Furniture industries, Inc.

(Continued)

*Primary Examiner*—Janice E Seeger

(74) *Attorney, Agent, or Firm*—Patterson, Thunte, Skaar &  
Christensen, P.A.

(57) **CLAIM**

I claim the ornamental design for a sleigh bed, as shown as  
shown and described.

**DESCRIPTION**

FIG. 1 is a front corner perspective view of a sleigh bed  
according to an embodiment of the invention. The view from  
the adjacent front corner being a mirror image thereof.

FIG. 2 is a front plan view of a headboard of a sleigh bed  
according to an embodiment of the invention.

FIG. 3 is a front plan view of a footboard of a sleigh bed  
according to an embodiment of the invention.

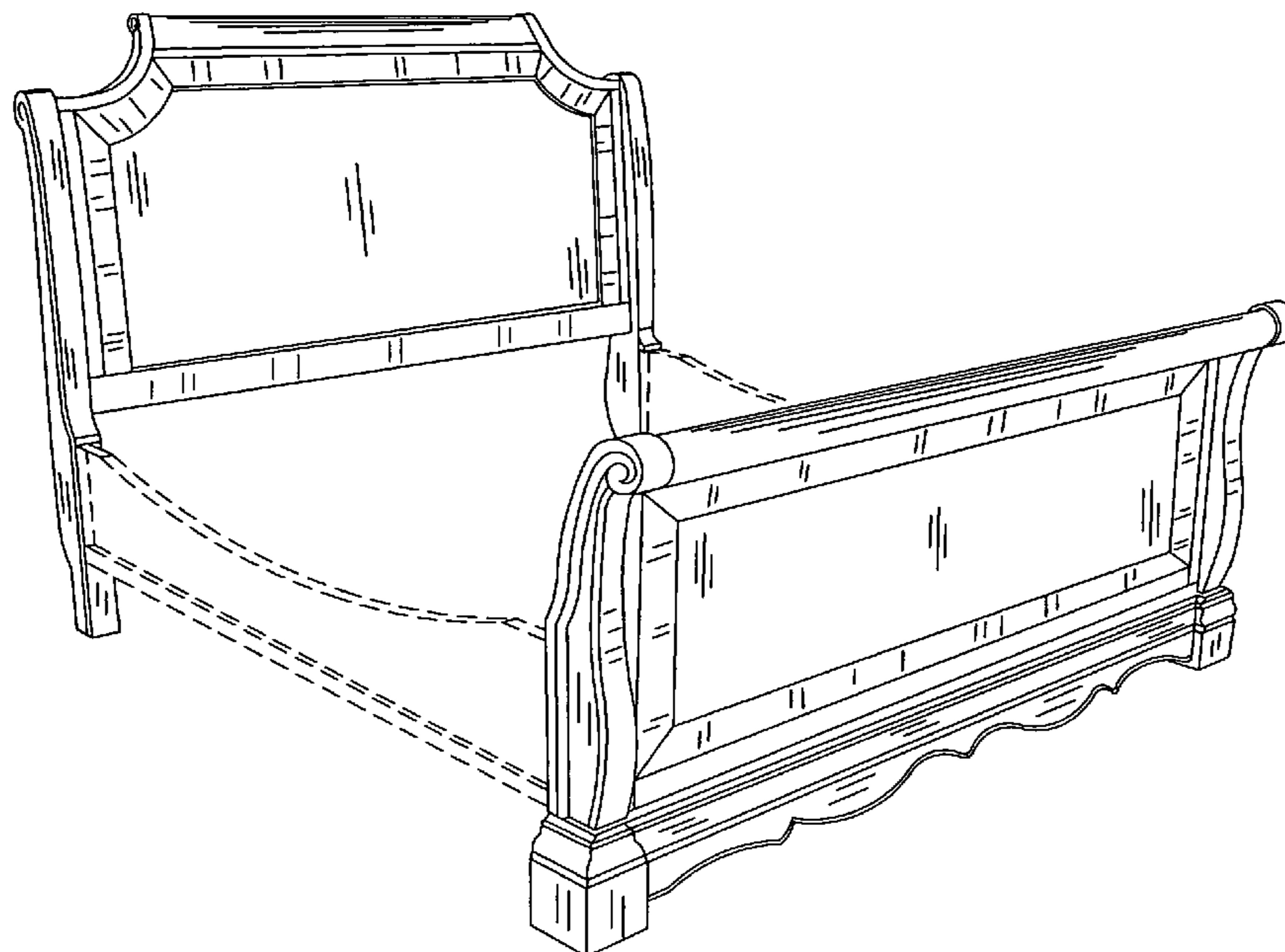
FIG. 4 is a side elevational view of a sleigh bed according to  
an embodiment of the invention. The view from the opposite  
side being a mirror image thereof; and,

FIG. 5 is a top plan view of a sleigh bed according to an  
embodiment of the invention.

The portions of the figures shown in dashed lines are for  
illustrative purposes only and form no part of the claimed  
invention.

The headboard and footboard are shown separately in FIGS.  
2 and 3 for convenience of illustration.

**1 Claim, 5 Drawing Sheets**



OTHER PUBLICATIONS

Ashley Product Catalog Spring 2005, Claremont B377-57-54-96-93, p. 119, vol. 7, Series 1, Ashley® Furniture industries, Inc.

Ashley Product Catalog Spring 2005, York Street B426-57-54-96-93, p. 130, vol. 7, Series 1, Ashley® Furniture industries, Inc.

Ashley Product Catalog Spring 2003, Normandy B221-50-51-52, p. 50, vol. 5, Series 1, Ashley® Furniture industries, Inc.

Ashley Product Catalog Spring 2003, Ducharme B227-57-54-98, p. 53, vol. 5, Series 1, Ashley® Furniture industries, Inc.

Ashley Product Catalog Spring 2003, Country Home-Country Oak B315-57-54-96-92, p. 65, vol. 5, Series 1, Ashley® Furniture industries, Inc.

Ashley Product Catalog 2004, Serengeti B488-31-36-49-67-64-93, p. 353, vol. 6, Series 1, Ashley® Furniture industries, Inc.

Ashley Product Catalog Spring 2003, Baha 454-57-54-96-49, p. 300, vol. 5, Series 1, Ashley® Furniture industries, Inc.

Ashley Product Catalog Spring 2003, Pan Casari B495-67-64-98-93, p. 304, vol. 5, Series 1, Ashley® Furniture industries, Inc.

\* cited by examiner

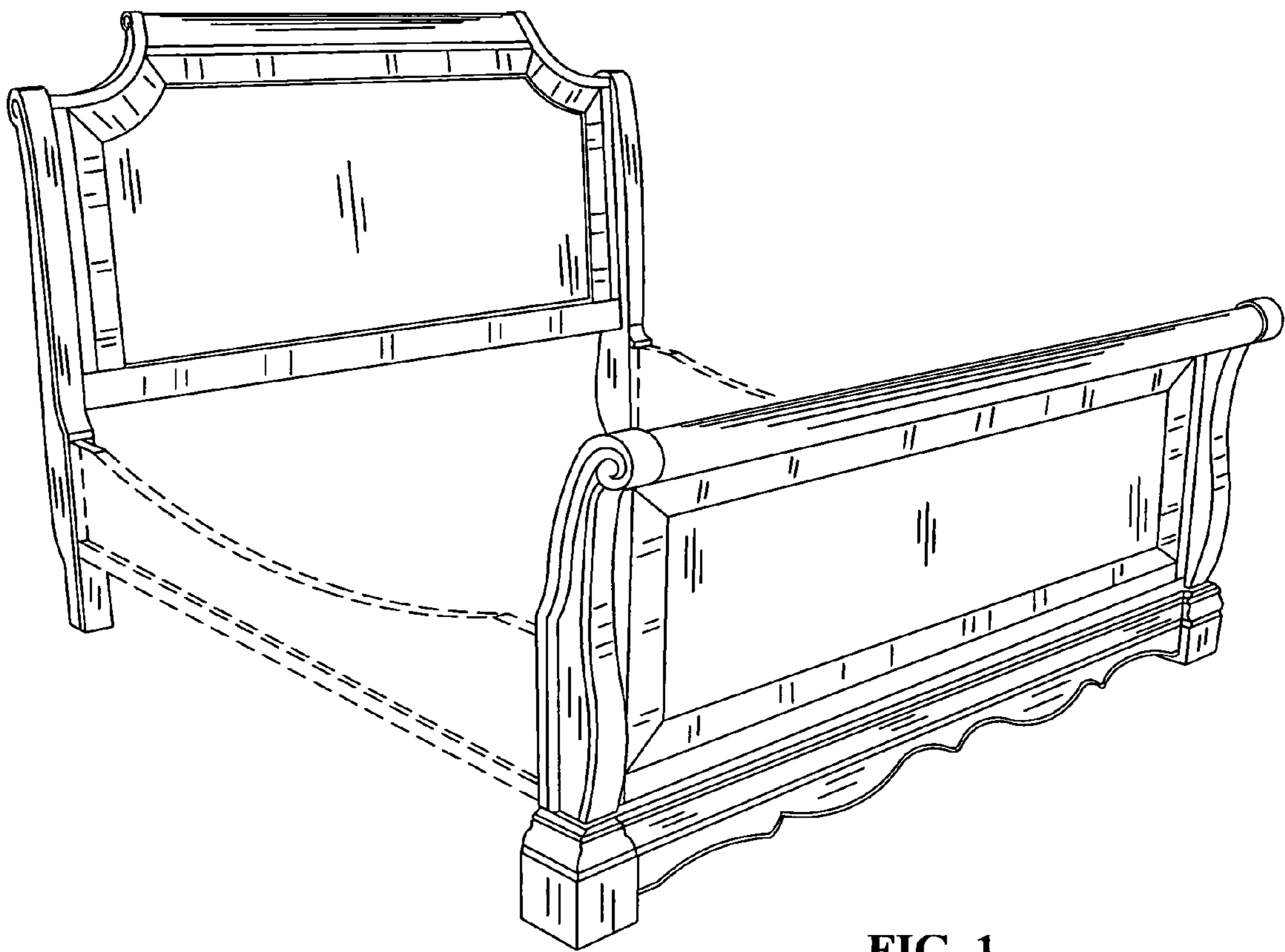


FIG. 1

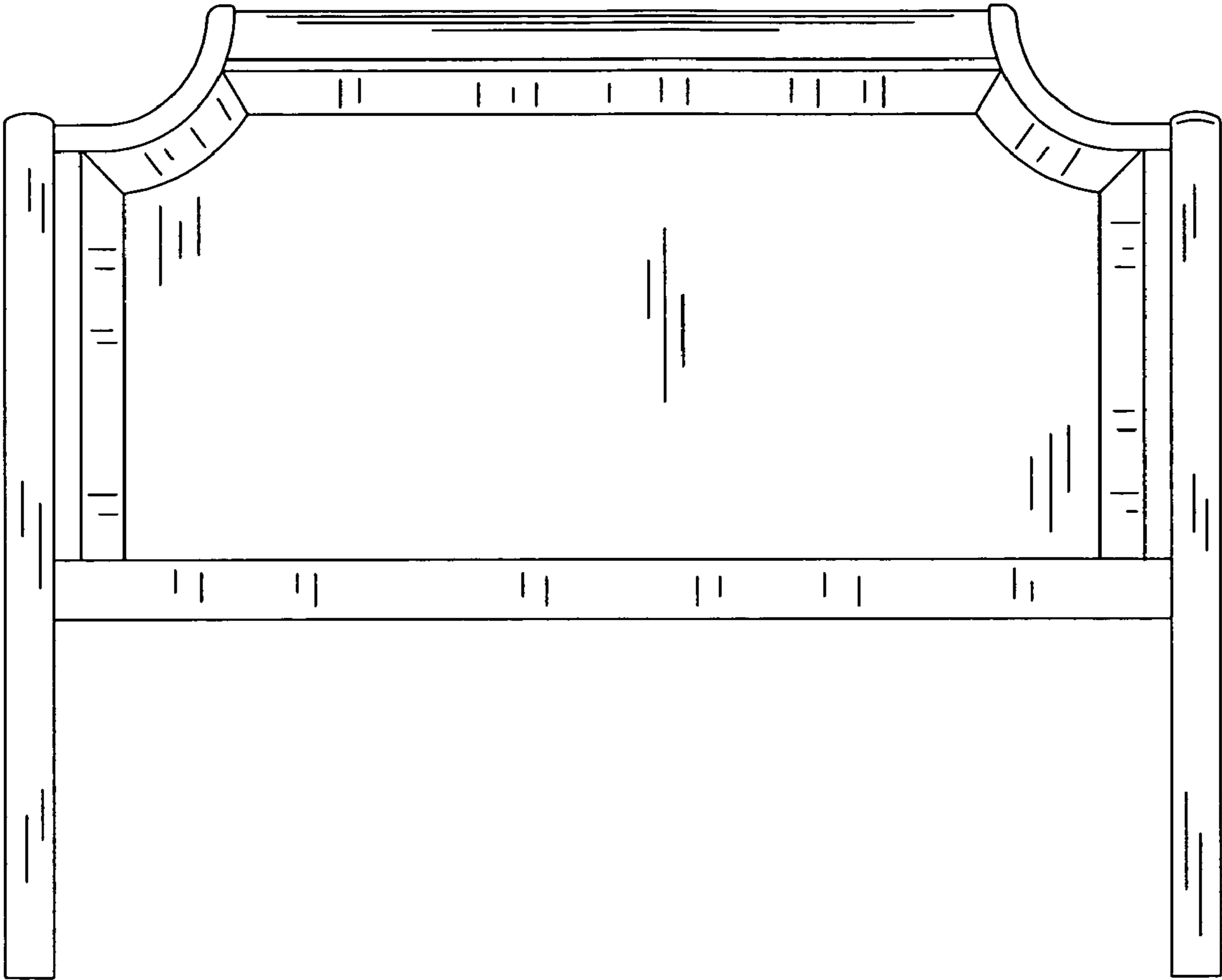


FIG. 2

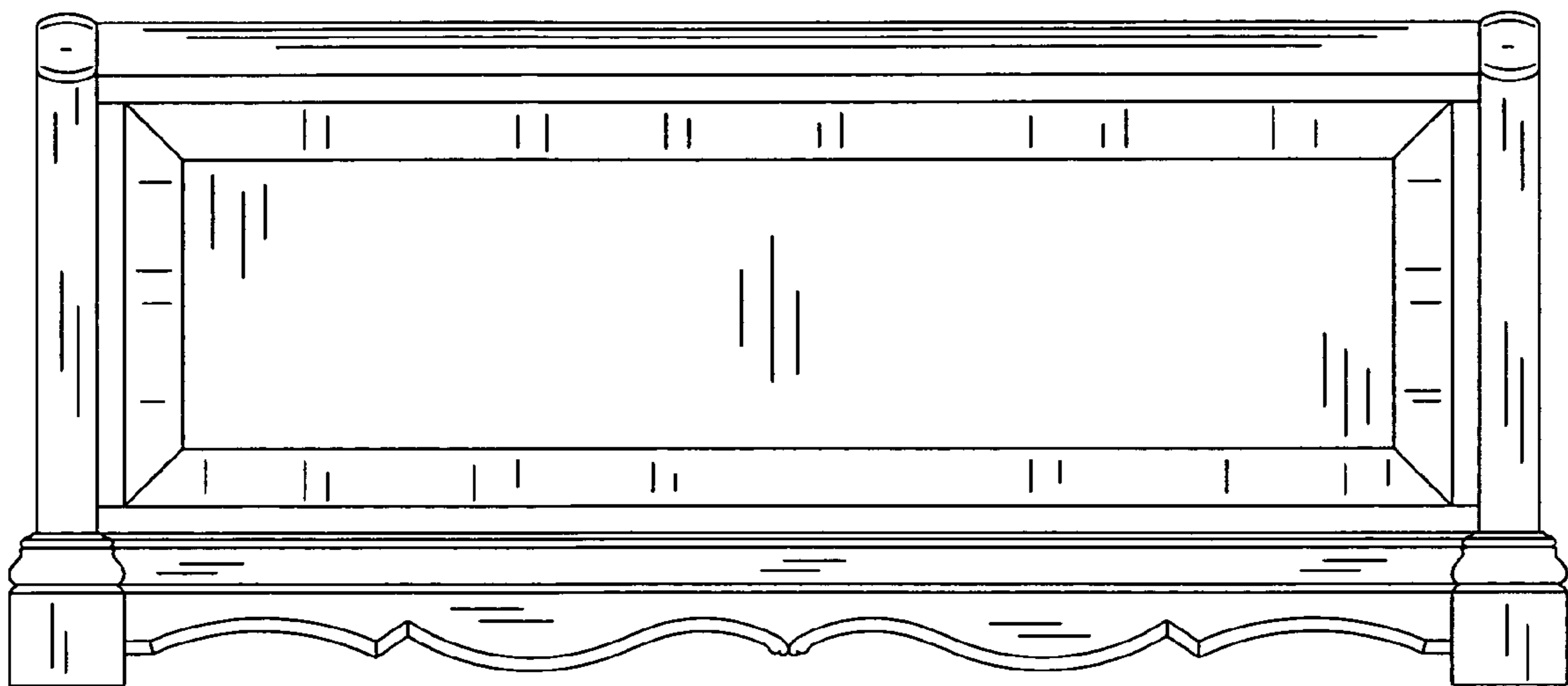


FIG. 3

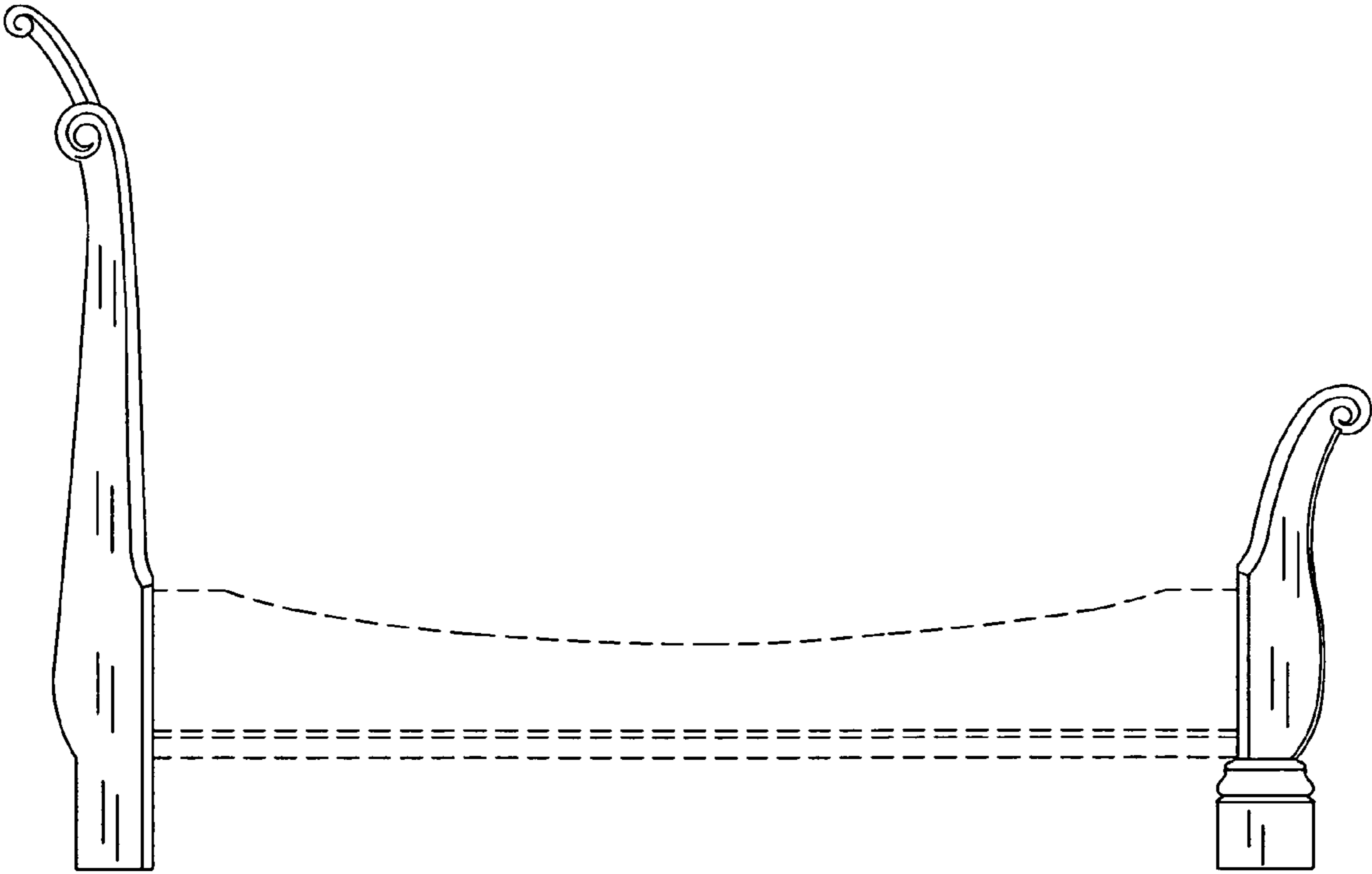


FIG. 4

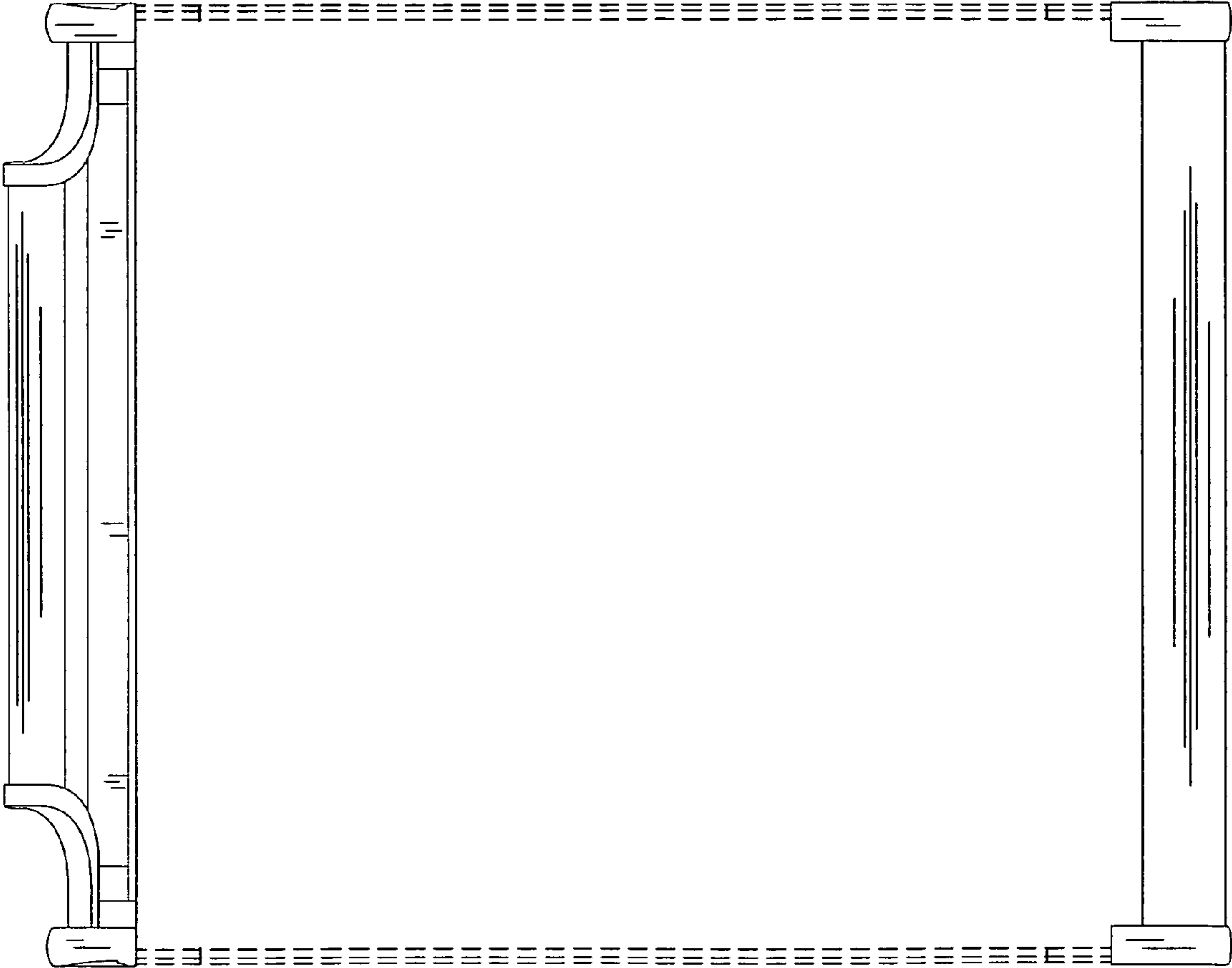


FIG. 5