



US00D611722S

(12) **United States Design Patent**  
**Everson**

(10) **Patent No.:** **US D611,722 S**  
(45) **Date of Patent:** **\*\* Mar. 16, 2010**

- (54) **BED**
  - (75) Inventor: **Terry A. Everson**, Blair, WI (US)
  - (73) Assignee: **Ashley Furniture Industries, Inc.**,  
Arcadia, WI (US)
  - (\*\*) Term: **14 Years**
  - (21) Appl. No.: **29/313,621**
  - (22) Filed: **Jan. 27, 2009**
  - (51) **LOC (9) Cl.** ..... **06-02**
  - (52) **U.S. Cl.** ..... **D6/393**
  - (58) **Field of Classification Search** ..... D6/382-384,  
D6/388, 392-395, 505-508; 5/53.1, 907,  
5/279.1, 280, 281
- See application file for complete search history.

(56) **References Cited**

**U.S. PATENT DOCUMENTS**

D197,207 S	*	12/1963	Smith	.....	D6/505
D355,548 S	*	2/1995	Schroeder	.....	D6/505
D408,648 S	*	4/1999	Walters et al.	.....	D6/395
D439,453 S		3/2001	Camfferman		
D466,716 S		12/2002	Tobin, Jr.		
D492,502 S		7/2004	Domack		
D497,067 S		10/2004	Cook		
D511,915 S		11/2005	Mohundro		
D523,658 S		6/2006	Mohundro		
D526,140 S		8/2006	Cook		
D542,048 S		5/2007	Domack et al.		
D557,033 S		12/2007	De Blaay		
D564,778 S		3/2008	Juneau		

**OTHER PUBLICATIONS**

American Signature, prior to Jan. 27, 2009.  
 Ashley Furniture, Soldiers Grove—B55 Series, Copyright May 1993, Ashley® Furniture industries, Inc.  
 Ashley Furniture, “Osprey” B153, Copyright 2007, Ashley® Furniture industries, Inc.

Ashley Furniture, “Gemini” B193, Copyright 2004, Ashley® Furniture industries, Inc.  
 Ashley Furniture, “Sherwood Cherry” B222, Copyright 2006, Ashley® Furniture industries, Inc.  
 Ashley Furniture, “Kismet” B39, Copyright Oct. 1993, Ashley® Furniture industries, Inc.  
 Ashley Furniture, “Napoli” B446, Copyright 1999, Ashley® Furniture industries, Inc.

(Continued)

*Primary Examiner*—Janice E Seeger  
 (74) *Attorney, Agent, or Firm*—Patterson, Thunte, Skaar & Christensen, P.A.

(57) **CLAIM**

I claim the ornamental design for a bed, as shown and described.

**DESCRIPTION**

FIG. 1 is a front corner perspective view of a bed according to an embodiment of the invention. The view from the adjacent front corner being a mirror image thereof.

FIG. 2 is a front plan view of a headboard of a bed according to an embodiment of the invention.

FIG. 3 is a front plan view of a footboard of a bed according to an embodiment of the invention.

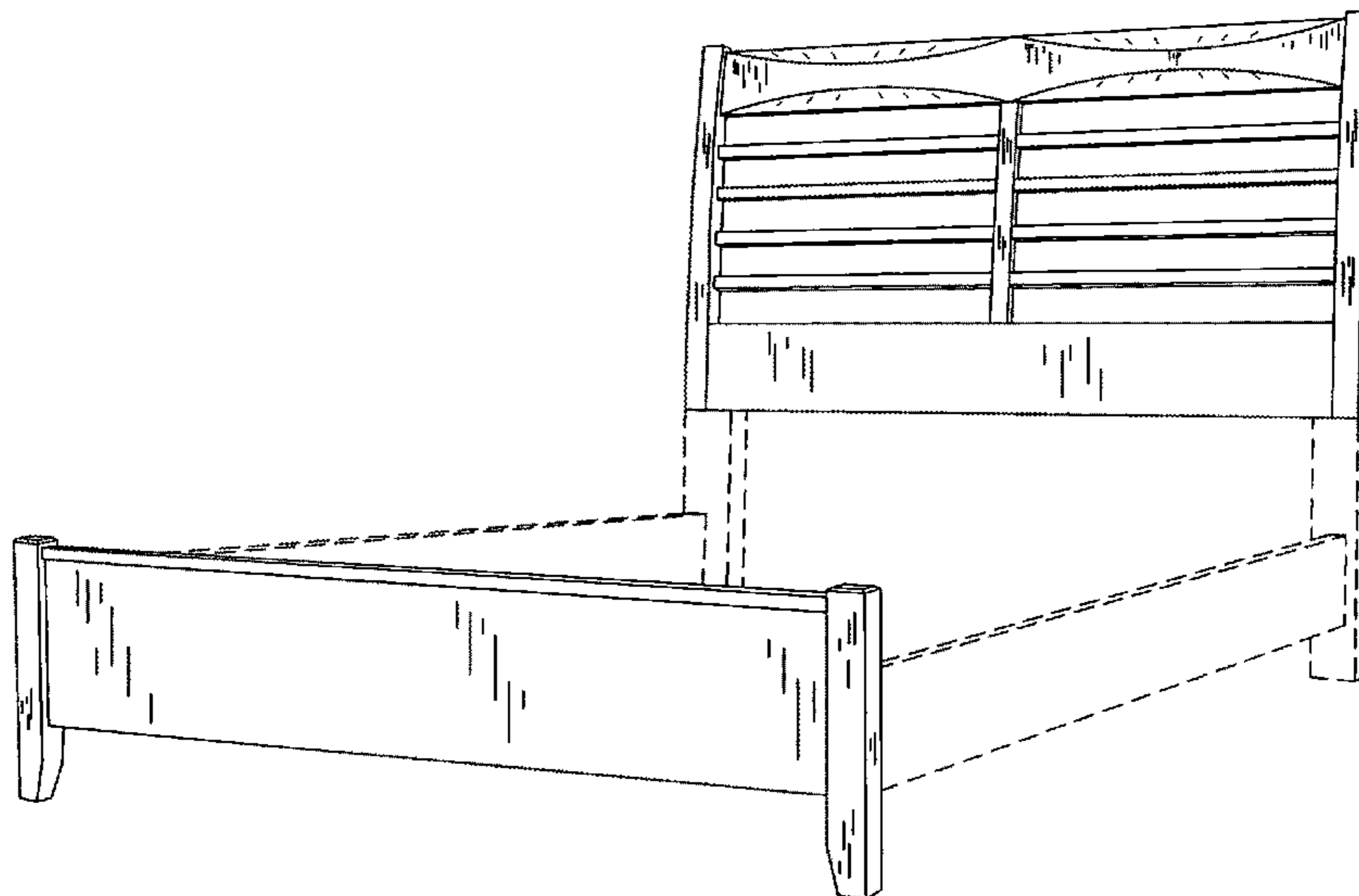
FIG. 4 is a side elevational view of a bed according to an embodiment of the invention. The view from the opposite side being a mirror image thereof; and,

FIG. 5 is a top plan view of a bed according to an embodiment of the invention.

The portions of the figures shown in dashed lines are for illustrative purposes only and form no part of the claimed invention.

The headboard and footboard are shown separately in FIGS. 2 and 3 for convenience of illustration.

**1 Claim, 5 Drawing Sheets**



# US D611,722 S

Page 2

---

## OTHER PUBLICATIONS

Ashley Furniture, "Sutters Grove" B457, Copyright 1999, Ashley® Furniture industries, Inc.

Ashley Product Catalog, Esprit B237-65-64-98, p. 79, vol. 6, Series 1, Ashley® Furniture industries, Inc., 2004.

\* cited by examiner

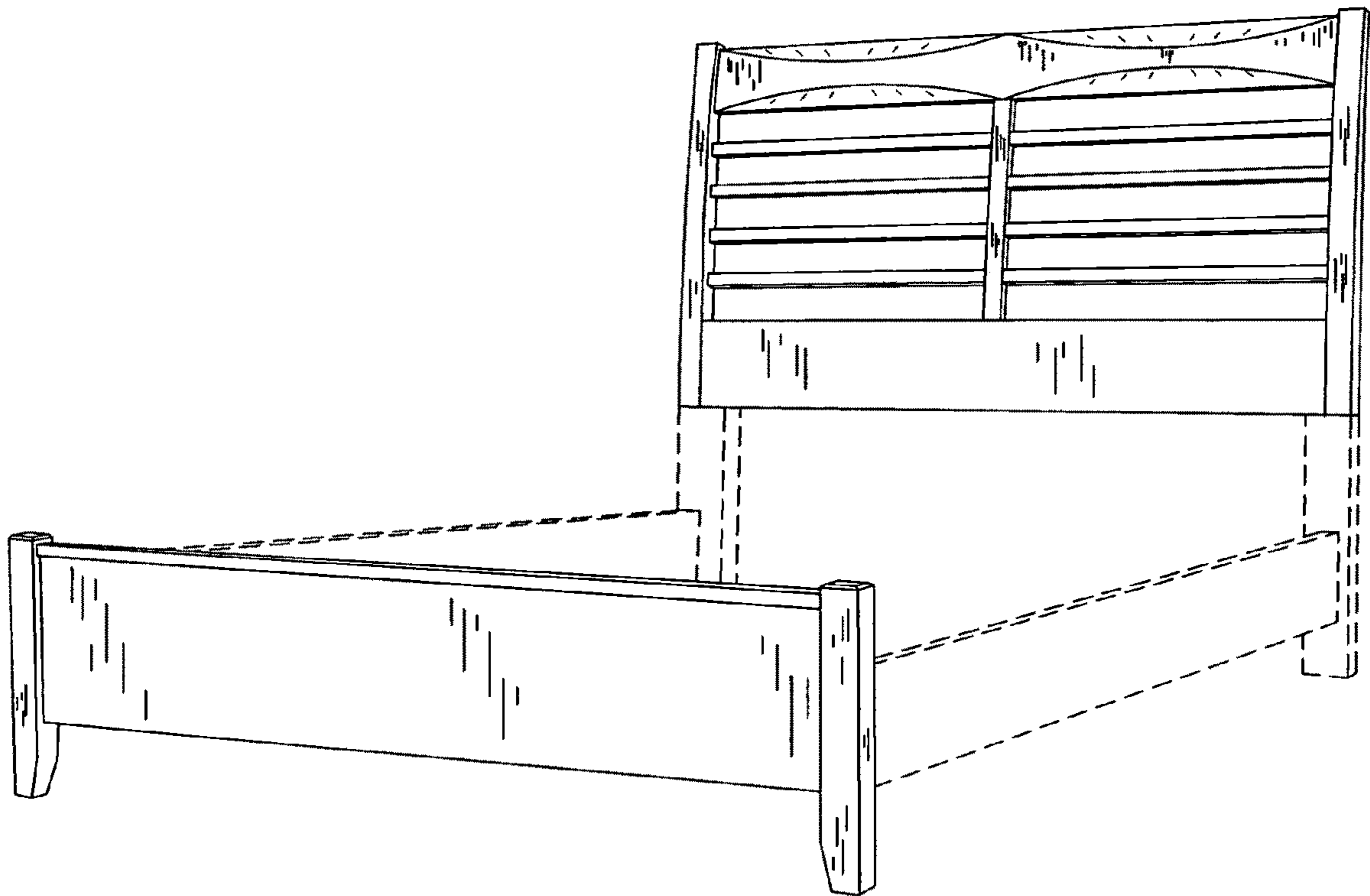


FIG. 1

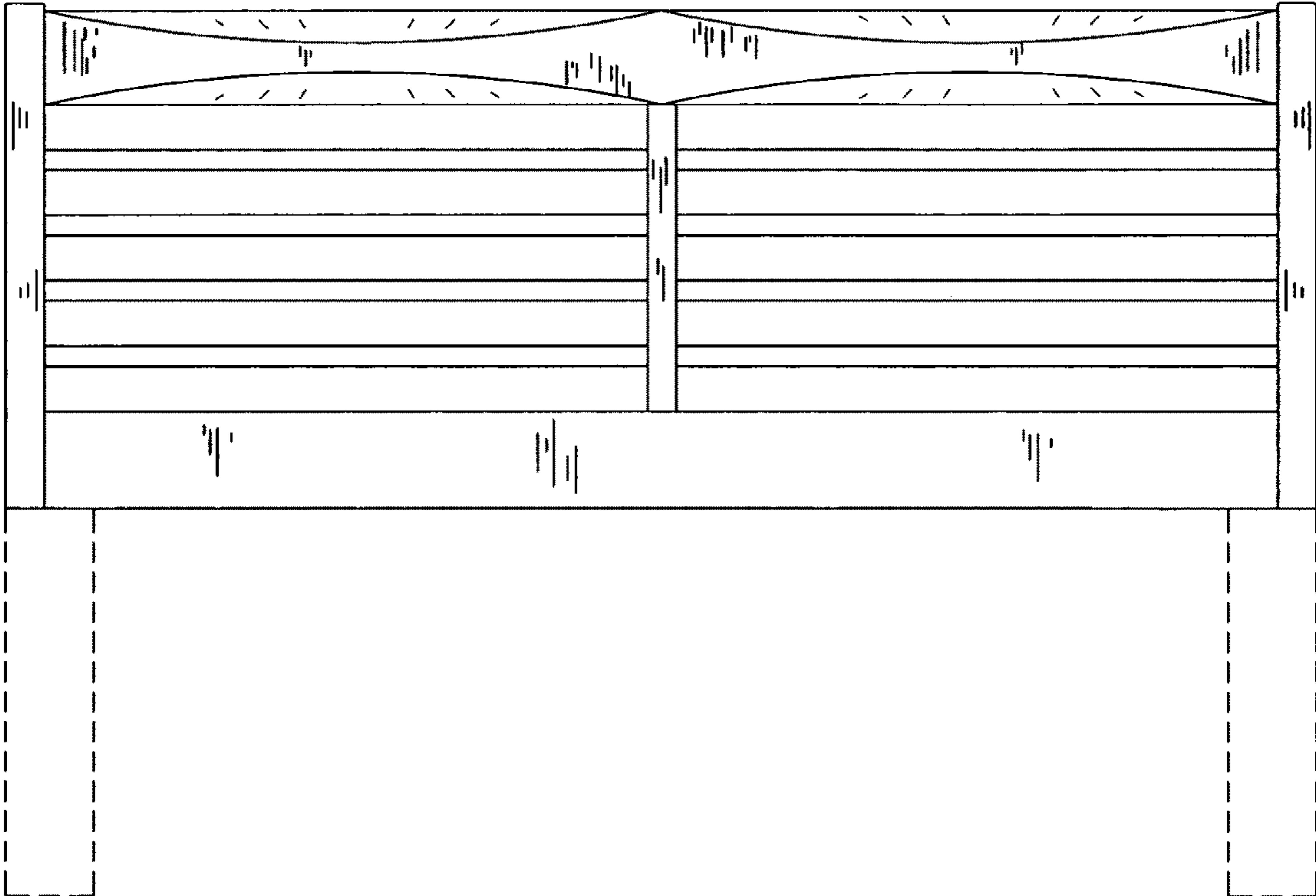
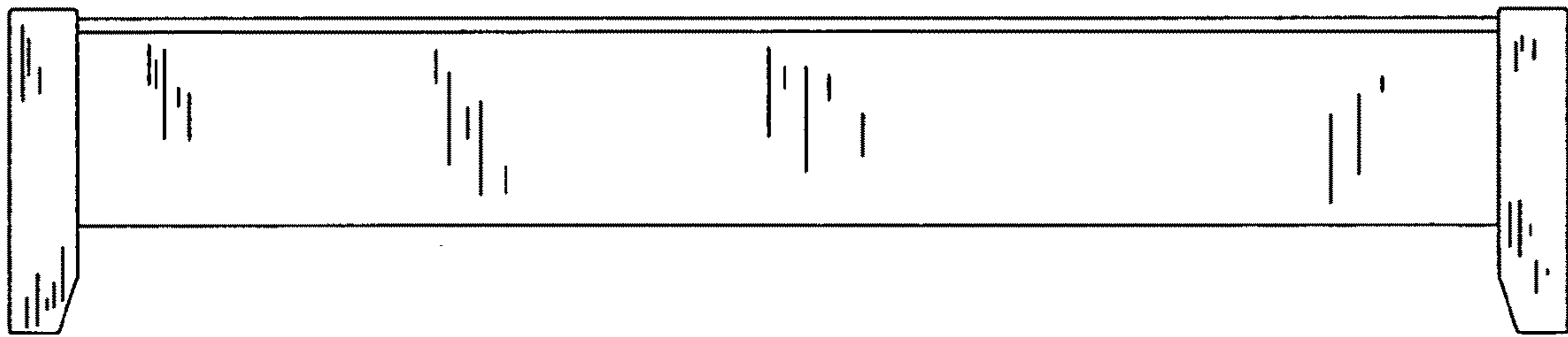


FIG. 2



**FIG. 3**

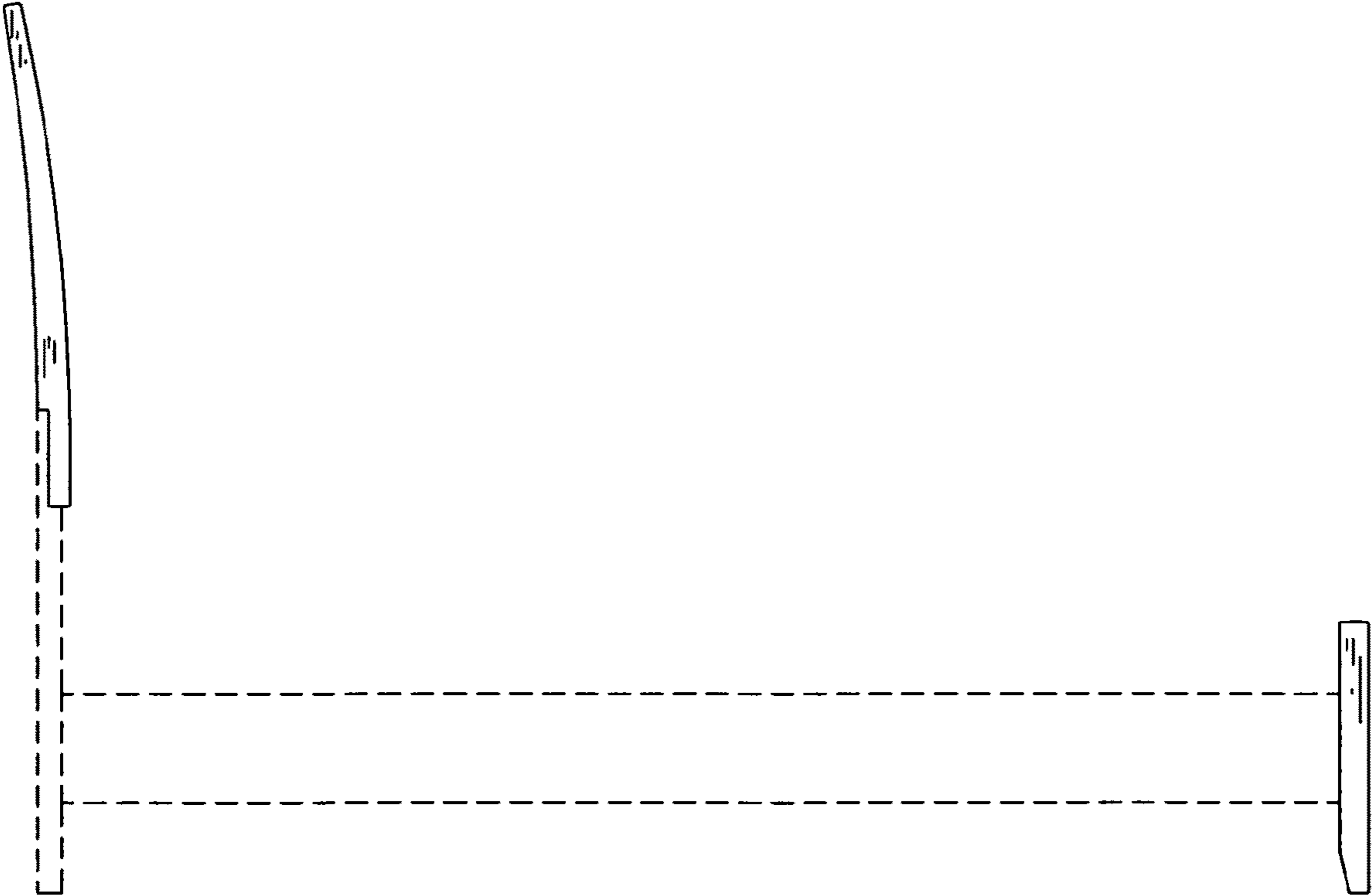


FIG. 4

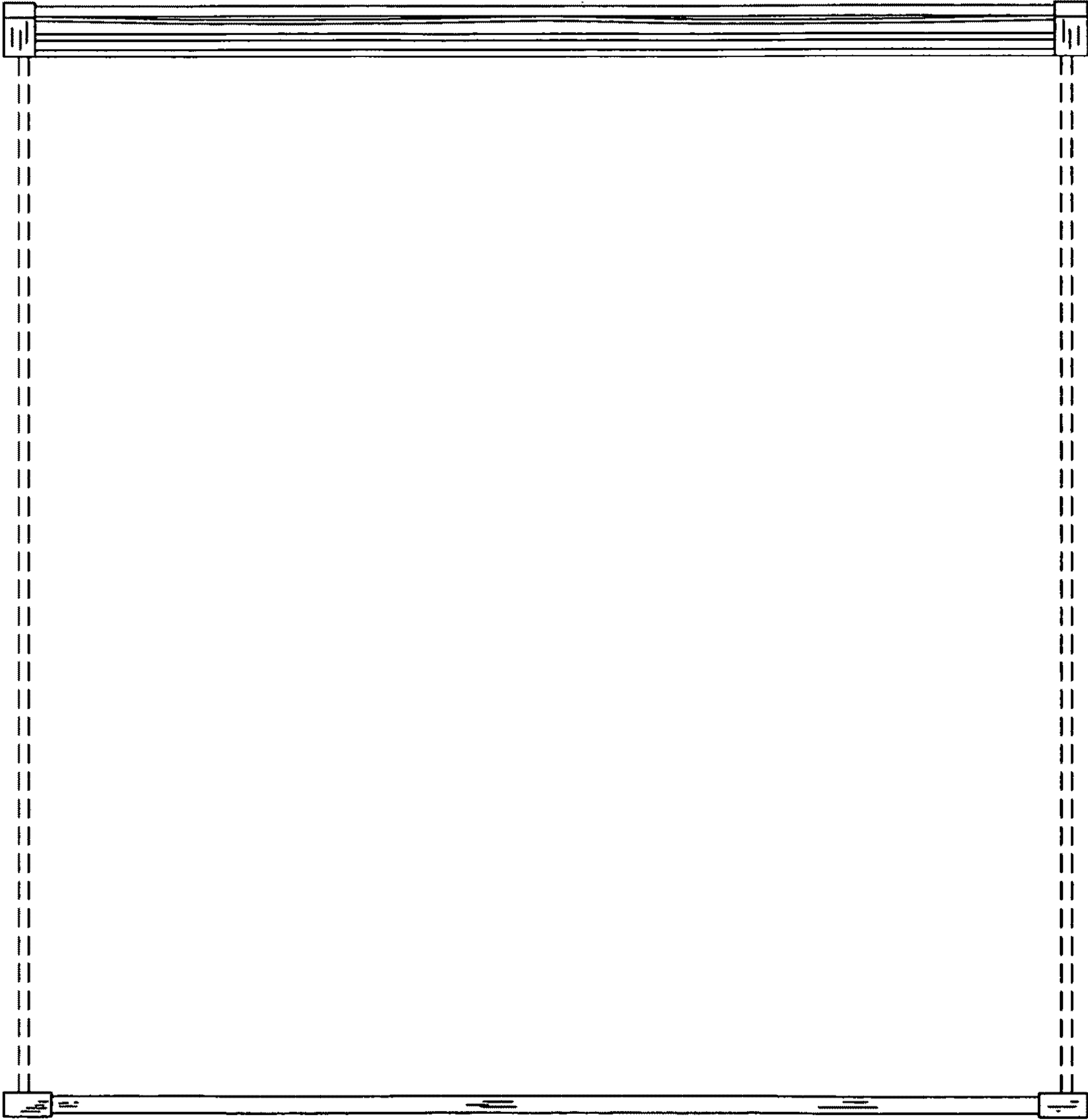


FIG. 5