



US00D611718S

(12) **United States Design Patent**  
**Tierney**

(10) **Patent No.:** **US D611,718 S**  
(45) **Date of Patent:** **\*\* Mar. 16, 2010**

(54) **CHAIR**

(75) Inventor: **Martin Tierney**, Limavady (GB)

(73) Assignee: **Seating Matters, Ltd.**, Limavady (GB)

(\*\*) Term: **14 Years**

(21) Appl. No.: **29/328,595**

(22) Filed: **Nov. 26, 2008**

(51) **LOC (9) Cl.** ..... **06-01**

(52) **U.S. Cl.** ..... **D6/367; D6/360; D12/128**

(58) **Field of Classification Search** ..... D12/128-133;  
D6/360, 367; 280/62, 647-650, 29, 200,  
280/47.38, 250.1, 259, 642, 658; 297/DIG. 4;  
296/65.03, 65.04; 224/409; D3/5, 7, 10,  
D3/11, 17

See application file for complete search history.

(56) **References Cited**

**U.S. PATENT DOCUMENTS**

- D184,040 S \* 12/1958 Crockett ..... D12/131
- D358,789 S \* 5/1995 Wheeler et al. .... D12/128
- D364,971 S \* 12/1995 Sterlacci ..... D6/367
- D383,008 S \* 9/1997 Blaesing ..... D6/358
- D432,804 S \* 10/2000 Mizelle et al. .... D6/360

- 6,257,608 B1 \* 7/2001 Hanson ..... 280/250.1
- D462,845 S \* 9/2002 Canto Garcia ..... D6/335
- D598,816 S \* 8/2009 Ahlbertz ..... D12/131

\* cited by examiner

*Primary Examiner*—Charles A Rademaker

*Assistant Examiner*—Charles D Hanson

(74) *Attorney, Agent, or Firm*—Miller Canfield Paddock and Stone, P.L.C.

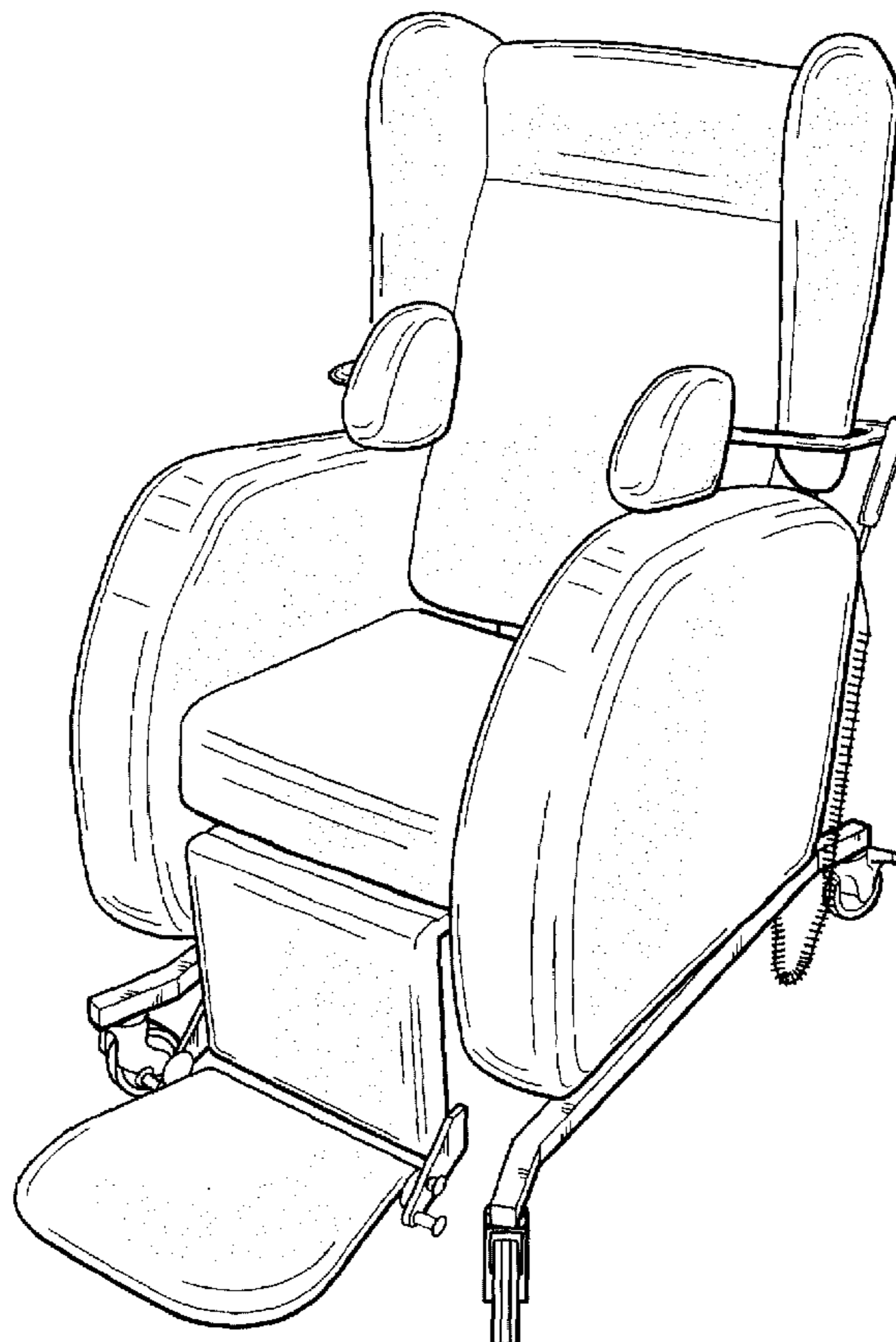
(57) **CLAIM**

The ornamental design for a chair, as shown and described.

**DESCRIPTION**

FIG. 1 is an isometric view of a chair showing my new design;  
 FIG. 2 is an isometric view thereof, with the seat back in a reclined position;  
 FIG. 3 is a rear isometric view thereof;  
 FIG. 4 is a side view thereof;  
 FIG. 5 is a front view thereof;  
 FIG. 6 is a rear view thereof;  
 FIG. 7 is a top view thereof; and,  
 FIG. 8 is a bottom view thereof.

**1 Claim, 8 Drawing Sheets**



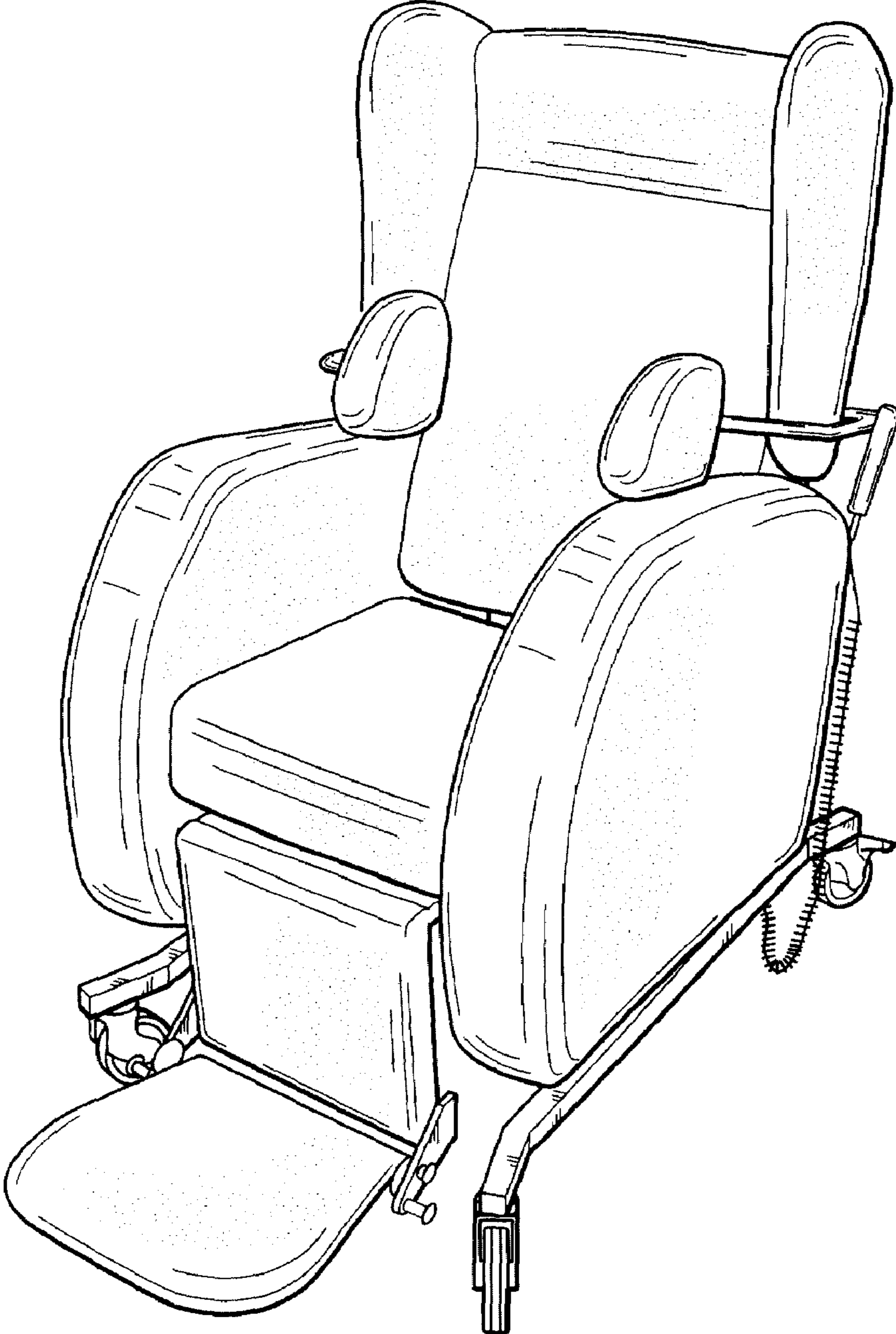


FIG. 1

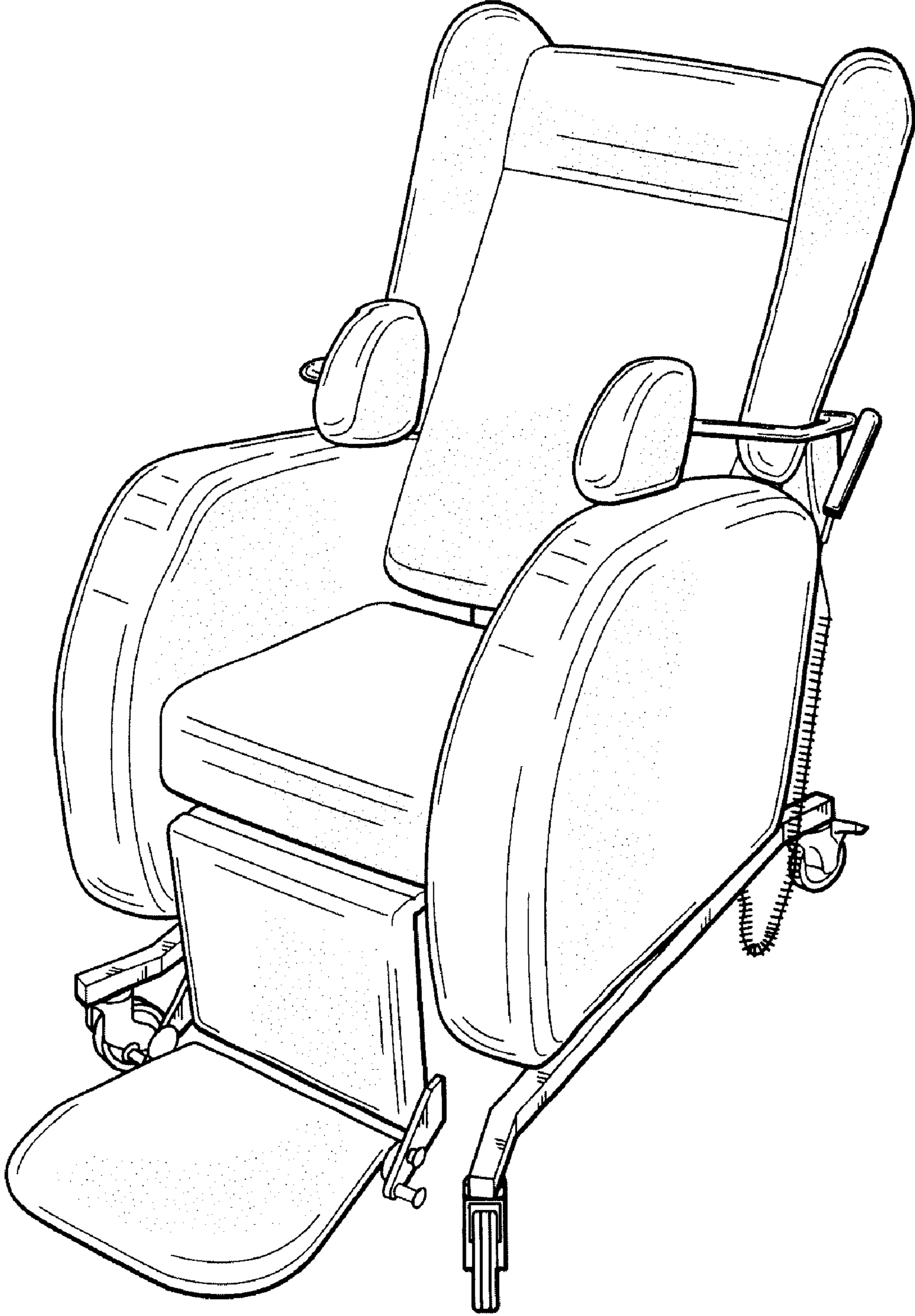


FIG. 2

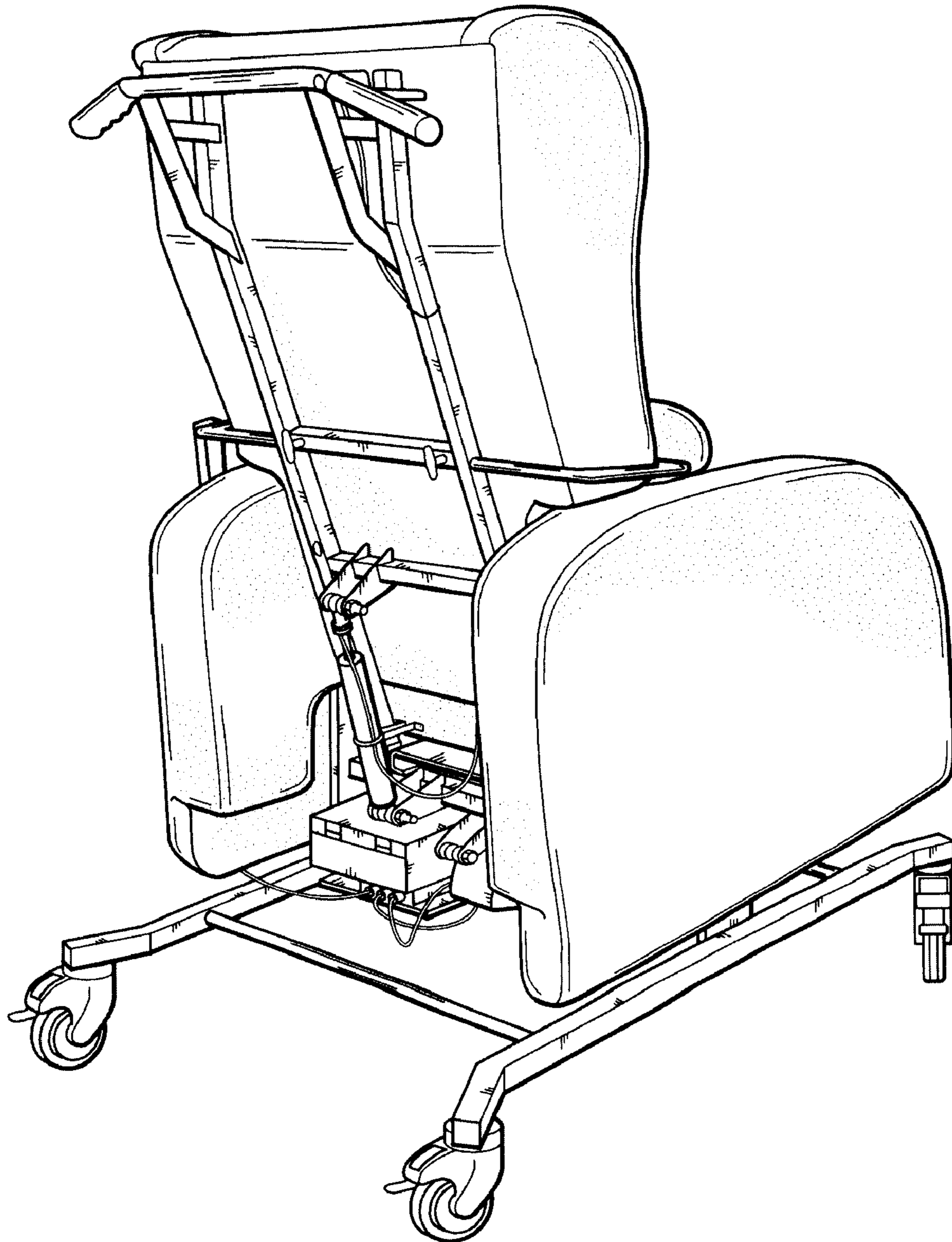


FIG. 3

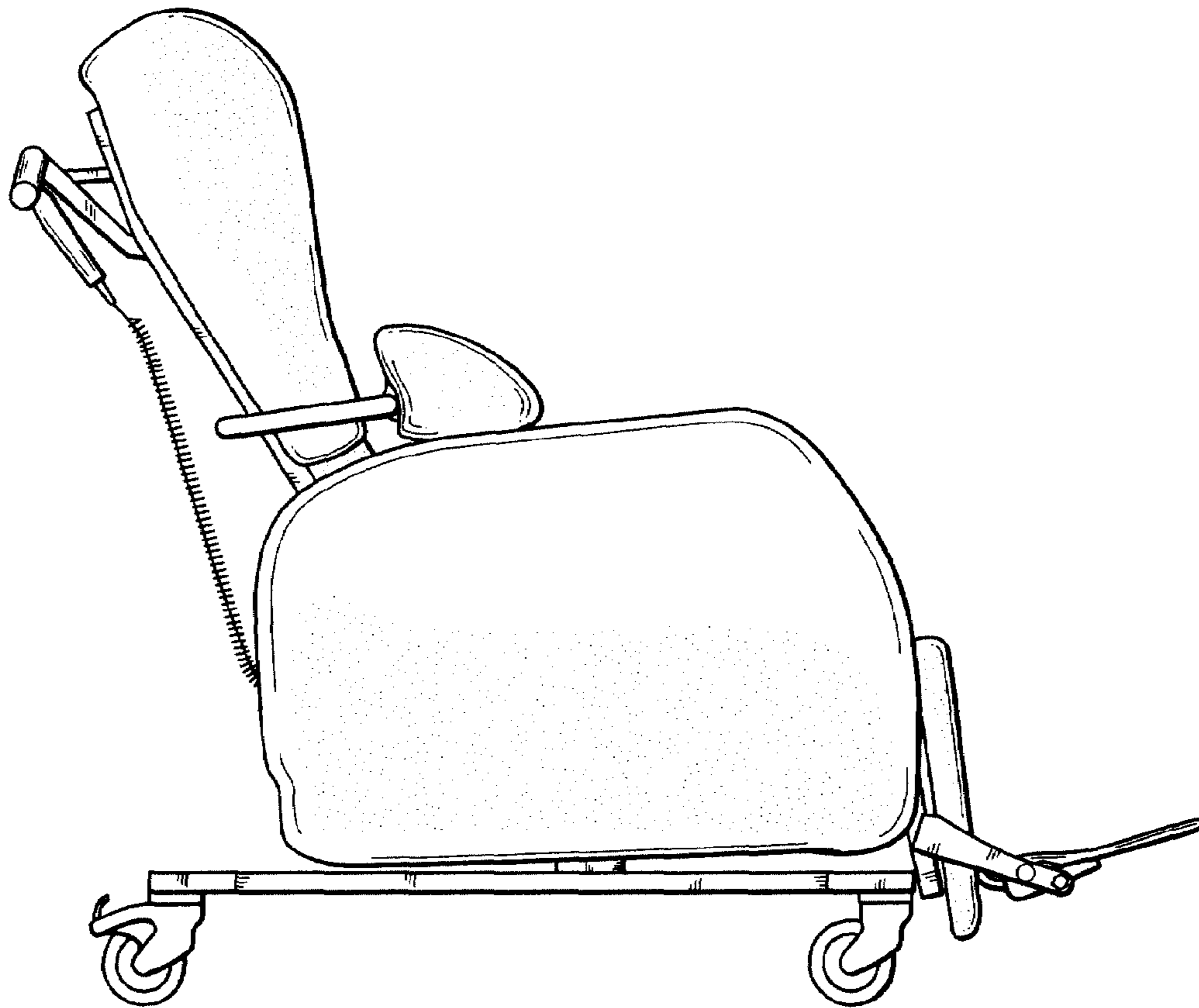


FIG. 4

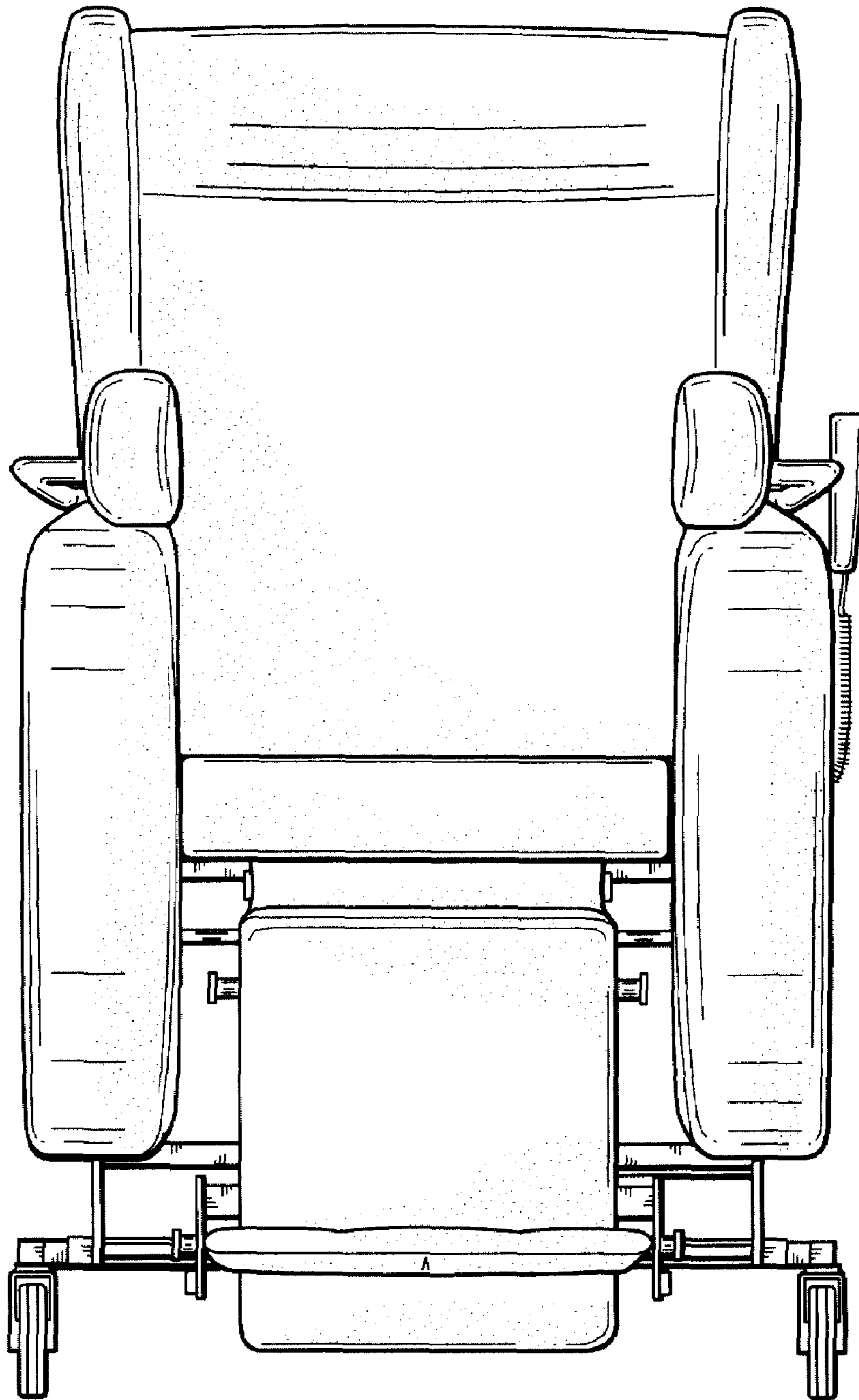


FIG. 5

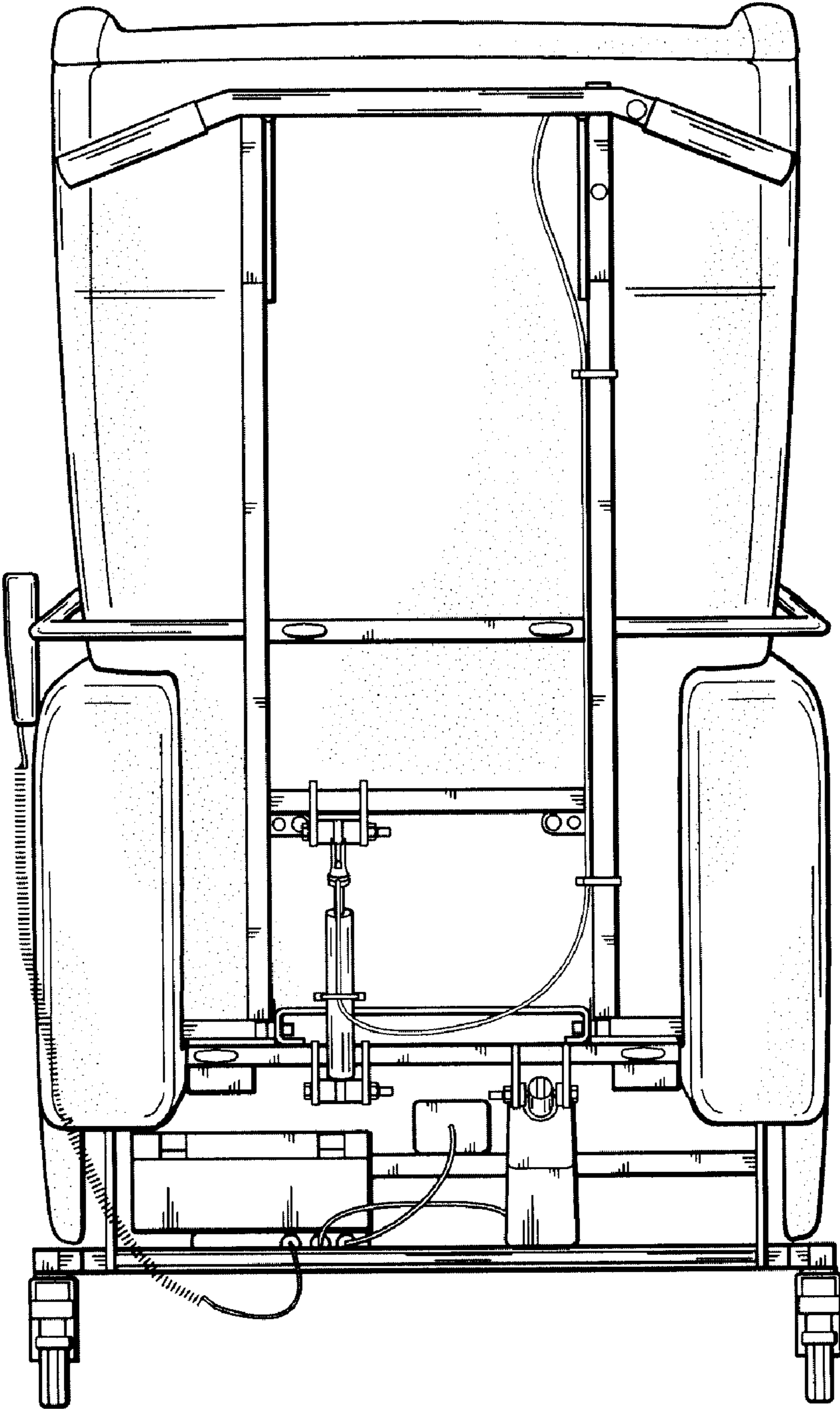


FIG. 6

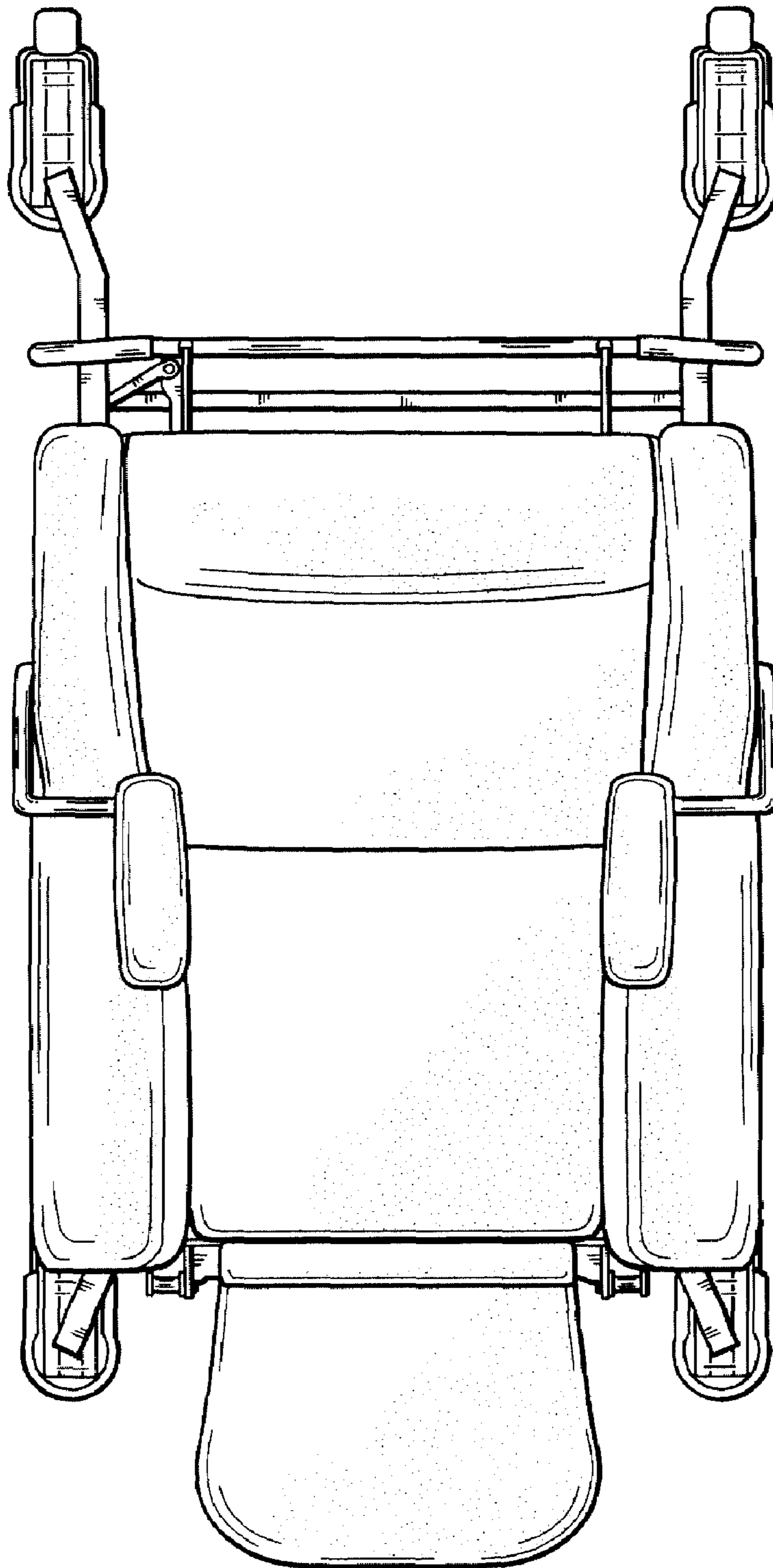


FIG. 7



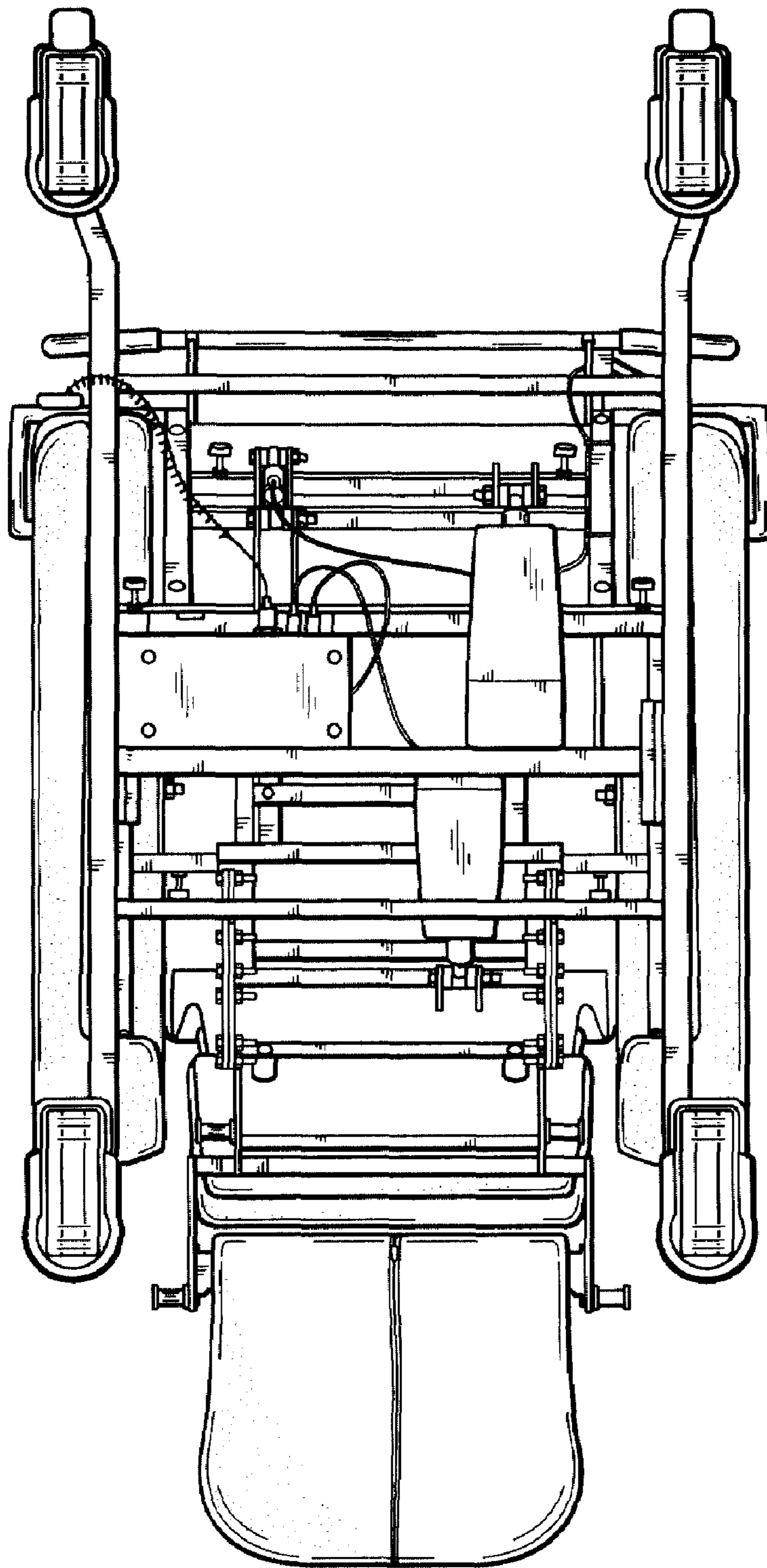


FIG. 8