



US00D611717S

(12) **United States Design Patent**
Huang

(10) **Patent No.:** **US D611,717 S**
(45) **Date of Patent:** **** Mar. 16, 2010**

(54) **CHAIR**

D530,935 S * 10/2006 Huang D6/366
D531,422 S * 11/2006 Huang D6/366
D572,924 S * 7/2008 Huang D6/366

(76) Inventor: **William W. Huang**, 5353 Jillson St.,
Commerce, CA (US) 90040

* cited by examiner

(**) Term: **14 Years**

Primary Examiner—Mimosa De
(74) *Attorney, Agent, or Firm*—Jen-Feng Lee, Esq.

(21) Appl. No.: **29/350,881**

(22) Filed: **Nov. 24, 2009**

(57) **CLAIM**

(51) **LOC (9) Cl.** **06-01**

I claim the ornamental design for a chair, as shown and described.

(52) **U.S. Cl.** **D6/366**

(58) **Field of Classification Search** D6/334–336,
D6/356, 364, 365, 366, 367, 368, 374, 379,
D6/380, 498, 500–502; 297/411.2, 411.27,
297/411.28, 411.44, 452.21, 452.24, 452.26,
297/452.29, 452.32, 452.35
See application file for complete search history.

DESCRIPTION

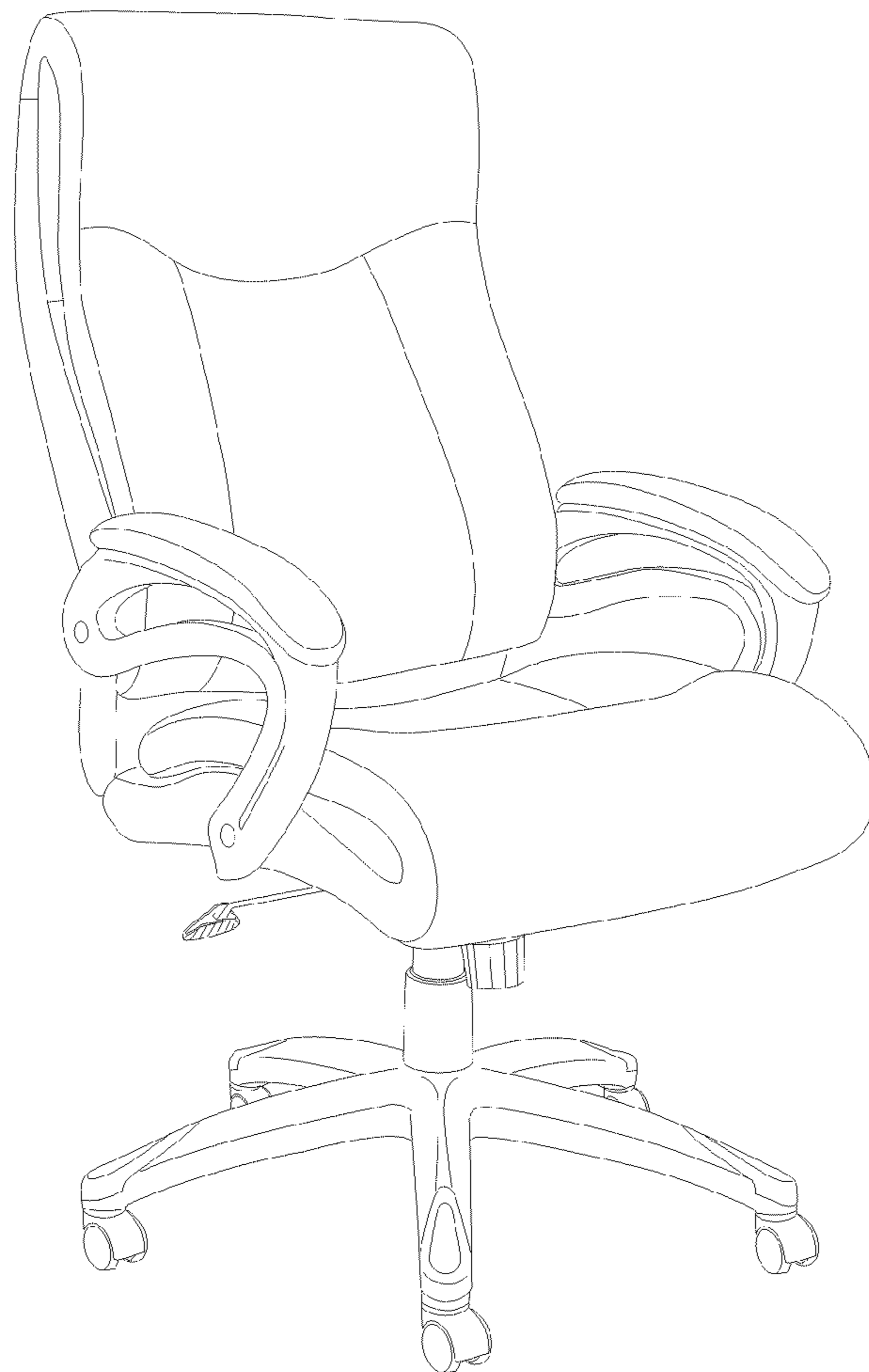
FIG. 1 shows the perspective view of a chair showing my new design,
FIG. 2 shows the right view thereof,
FIG. 3 shows the front side view thereof,
FIG. 4 shows the left side view thereof,
FIG. 5 shows the rear view thereof; and,
FIG. 6 shows the top plan view thereof.

(56) **References Cited**

U.S. PATENT DOCUMENTS

D451,718 S * 12/2001 Tseng D6/500
D493,987 S * 8/2004 True D6/500
D494,389 S * 8/2004 True D6/500

1 Claim, 6 Drawing Sheets



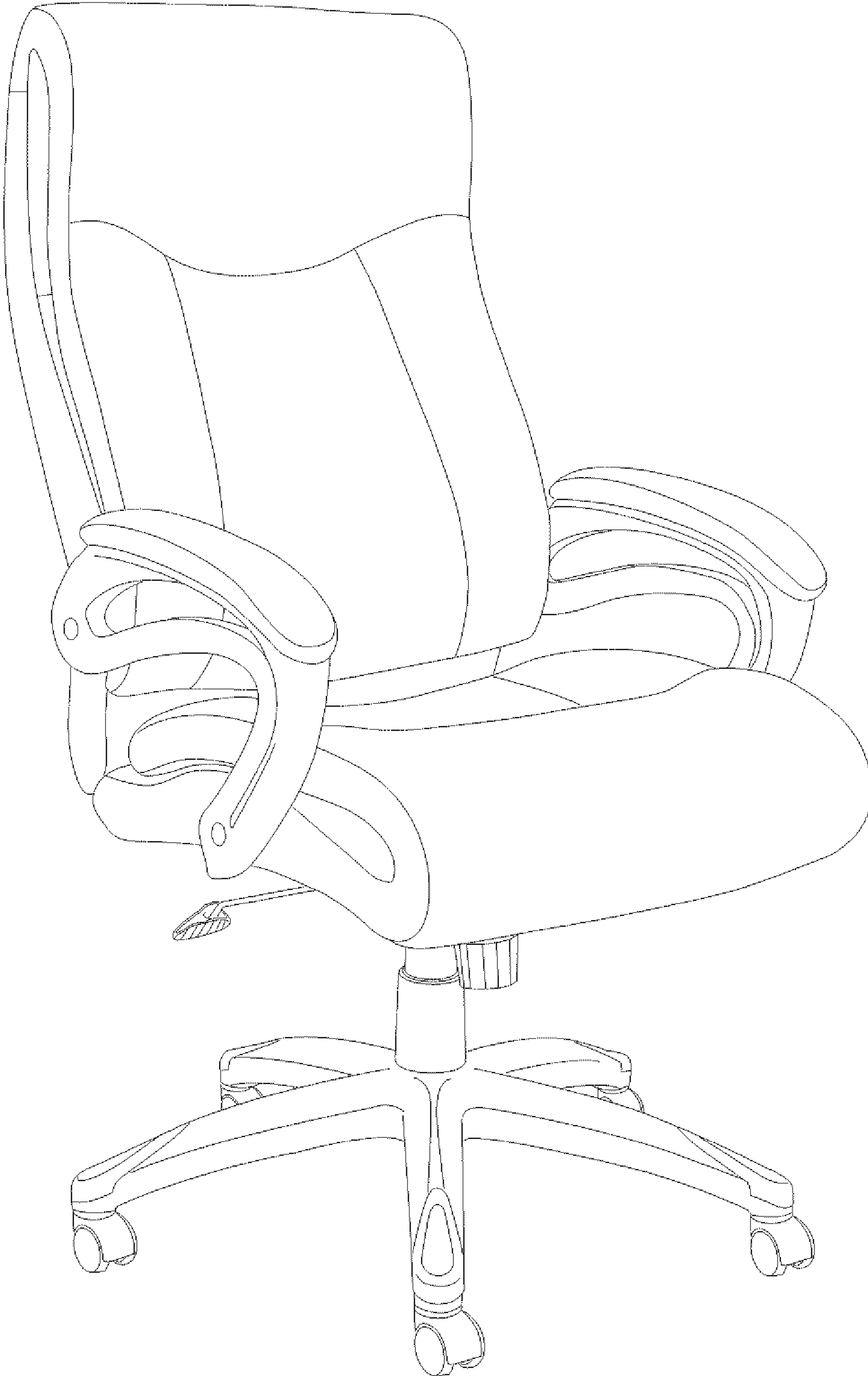


FIGURE 1

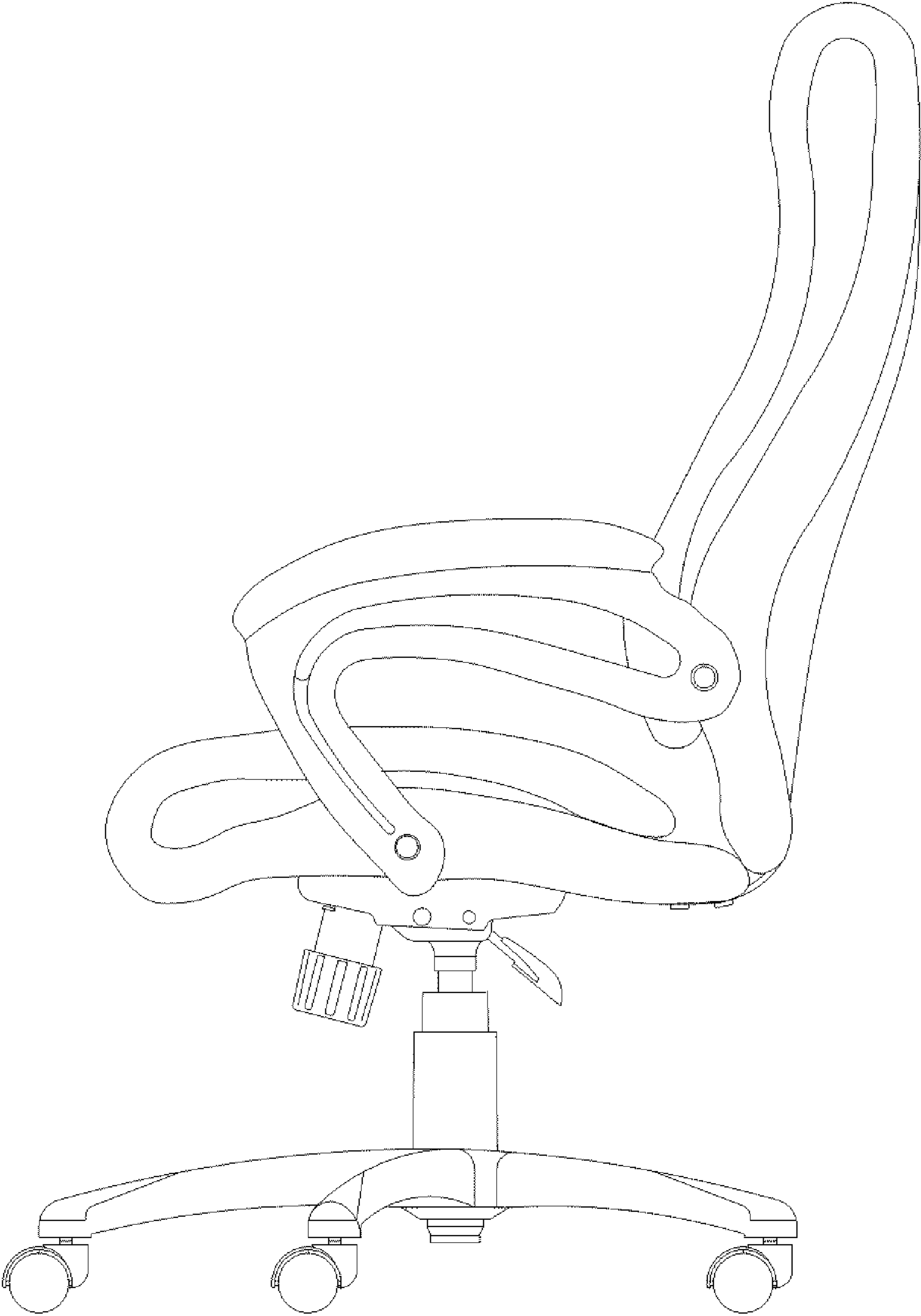


FIGURE 2

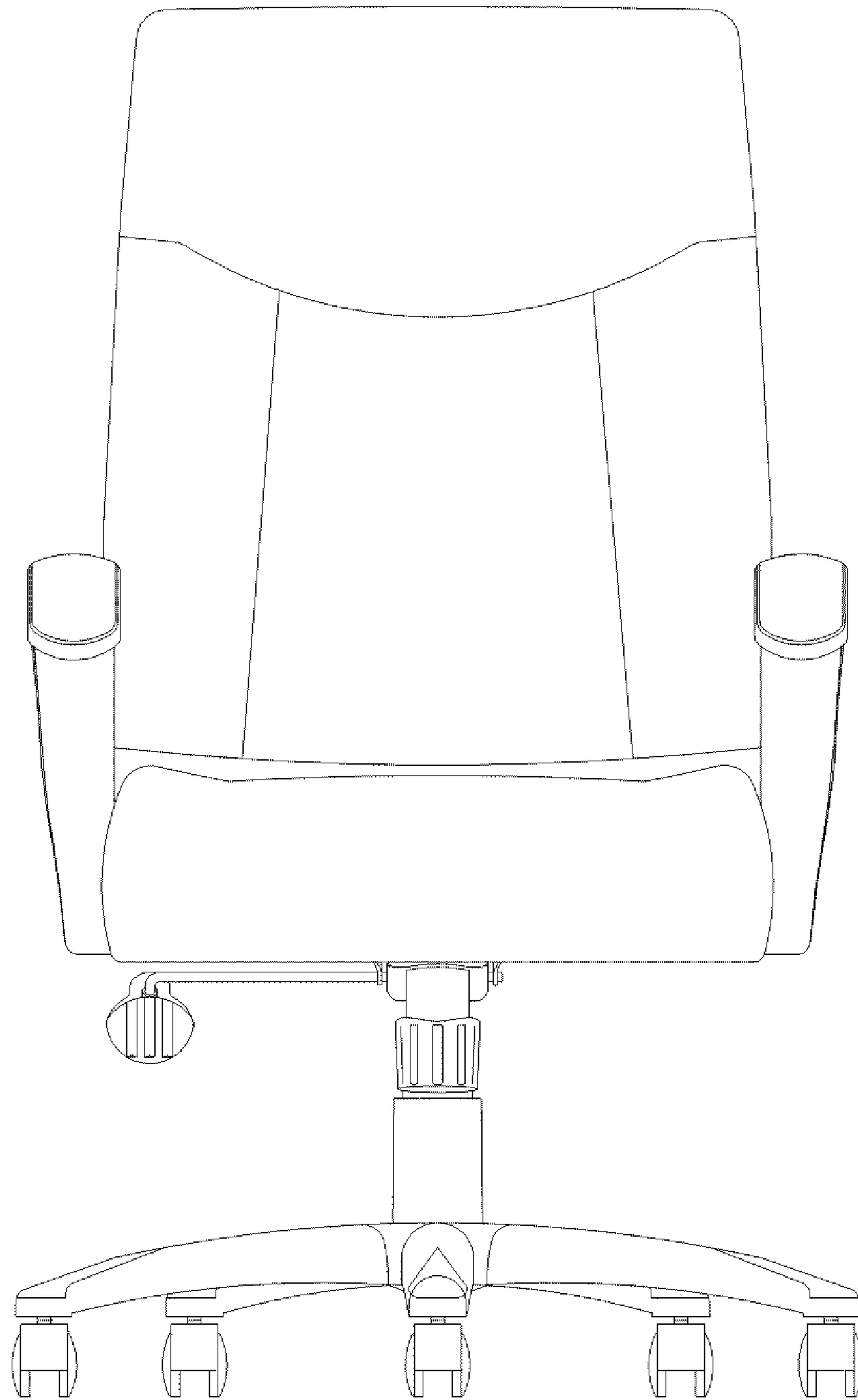


FIGURE 3

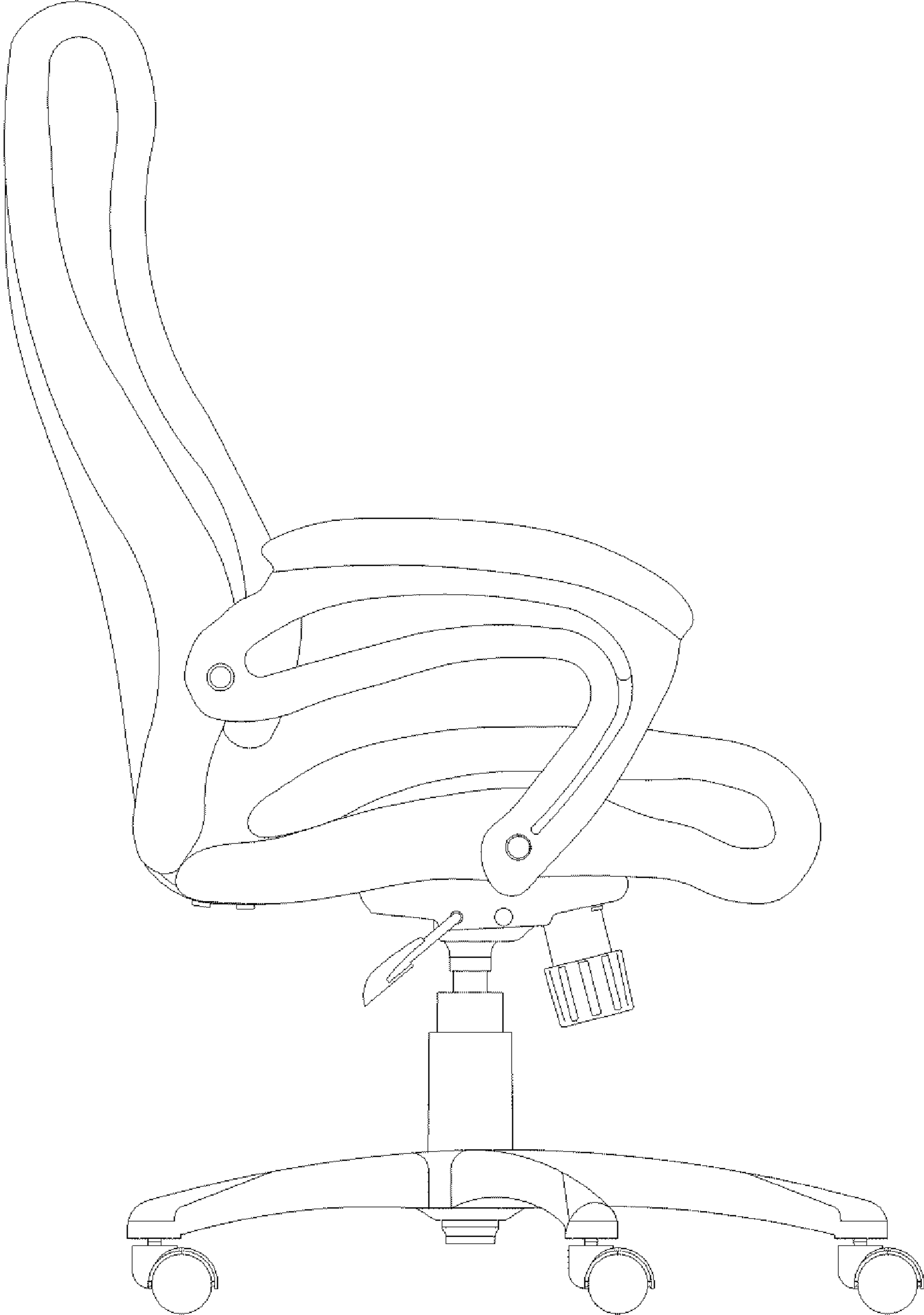


FIGURE 4

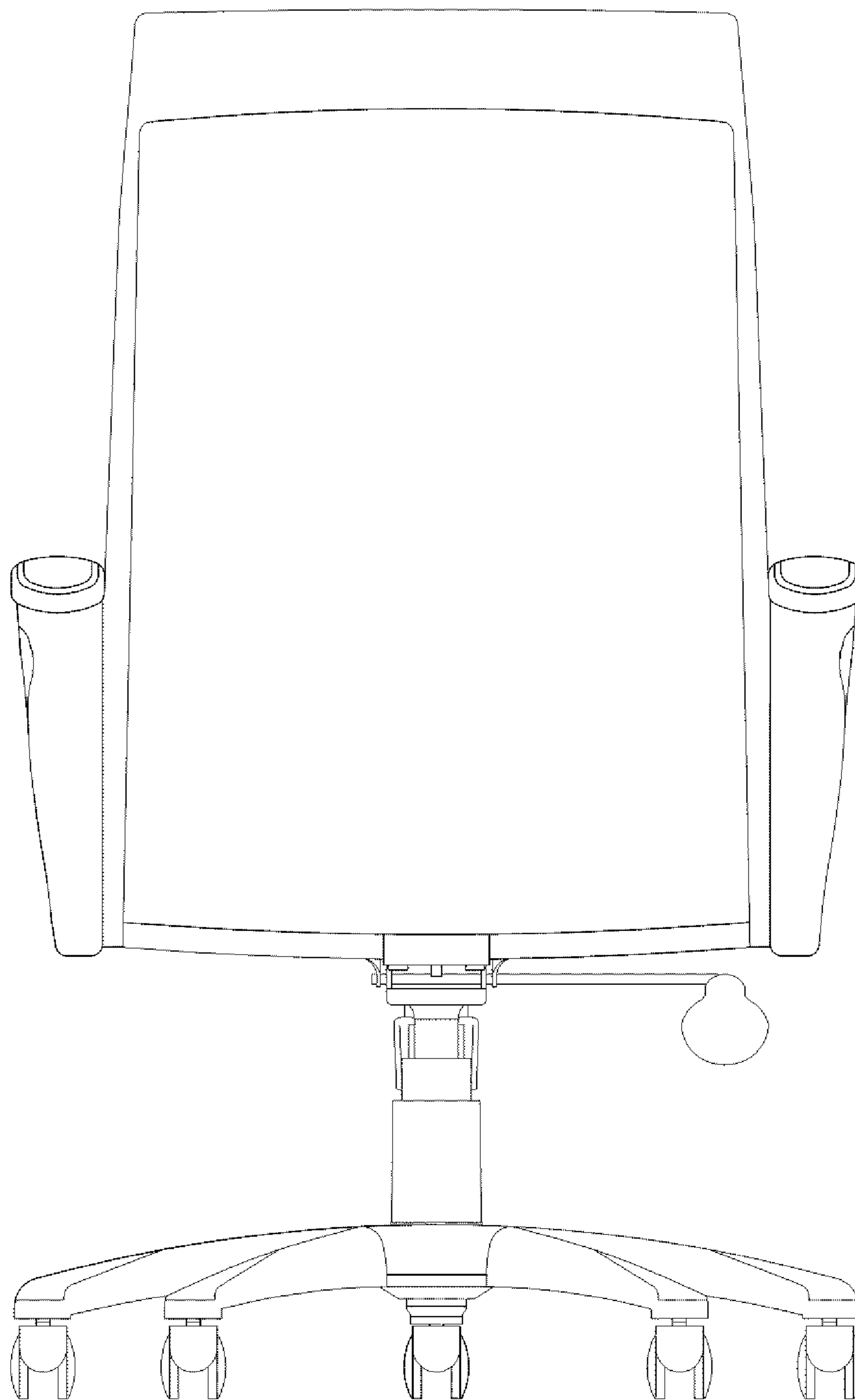


FIGURE 5

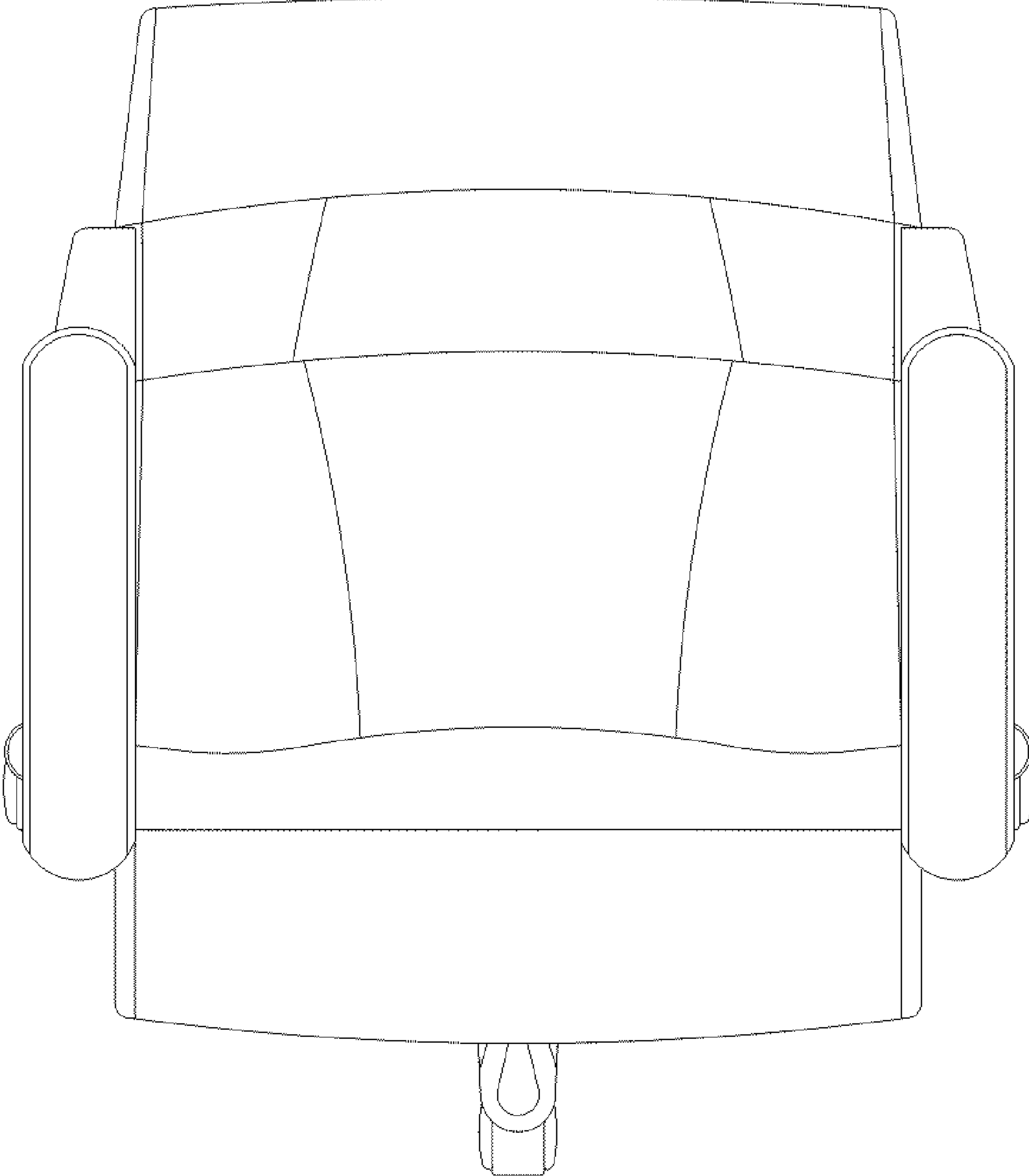


FIGURE 6