



US00D611716S

(12) **United States Design Patent**
Joly

(10) **Patent No.:** **US D611,716 S**
(45) **Date of Patent:** **** Mar. 16, 2010**

(54) **TRIANGULAR OTTOMAN**
(75) Inventor: **Sylvain Joly**, Marolles en Brie (FR)
(73) Assignee: **Chateau d'Ax S.p.A.** (IT)
(**) Term: **14 Years**
(21) Appl. No.: **29/341,038**
(22) Filed: **Jul. 29, 2009**
(30) **Foreign Application Priority Data**
Jan. 29, 2009 (EP) 001078893

(51) **LOC (9) Cl.** **06-01**
(52) **U.S. Cl.** **D6/349**
(58) **Field of Classification Search** D6/330,
D6/335-338, 340, 349-355, 358, 359, 364,
D6/366, 376, 491, 495, 500-502; 297/16.1,
297/39, 46, 135, 140, 156, 158.3, 158.4,
297/175, 177, 187, 195.1, 195.11, 211, 245,
297/423.1, 423.16, 445.1, 461, 462
See application file for complete search history.

(56) **References Cited**
U.S. PATENT DOCUMENTS
2,164,715 A * 7/1939 Krainbill 297/115
4,046,421 A * 9/1977 Spound et al. 297/232
D253,377 S * 11/1979 Spound et al. D6/352

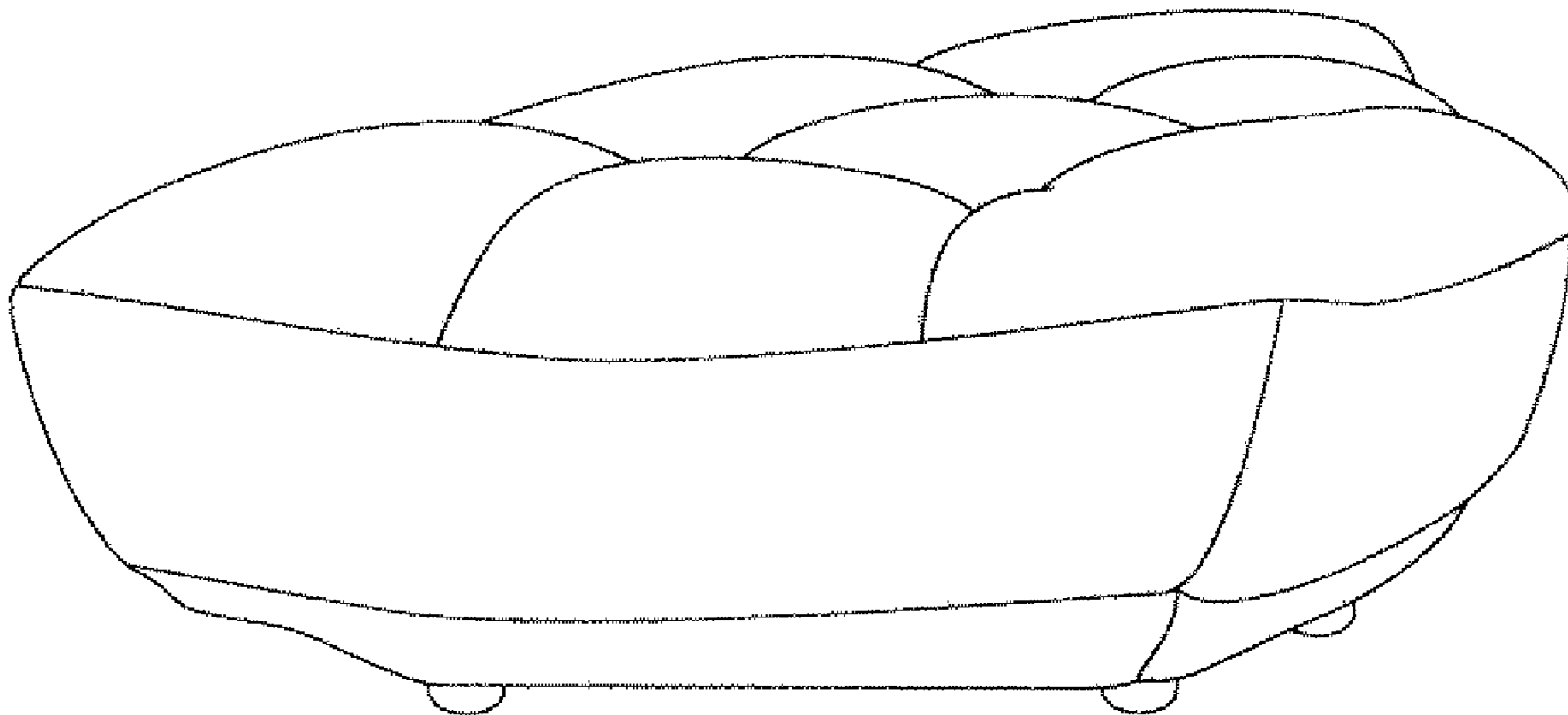
D253,378 S * 11/1979 Spound et al. D6/349
D261,954 S * 11/1981 Aronowitz et al. D6/364
D261,955 S * 11/1981 Aronowitz et al. D6/364
D265,529 S * 7/1982 Mascheroni D6/352
D493,966 S * 8/2004 Rach D6/349
D503,580 S * 4/2005 Donoghue D6/601
D582,688 S * 12/2008 Spear D6/349

* cited by examiner
Primary Examiner—Sandra Snapp
(74) *Attorney, Agent, or Firm*—Curtis, Mallet-Prevost, Colt & Mosle LLP

(57) **CLAIM**
The ornamental design for the triangular ottoman, as shown and described.

DESCRIPTION
FIG. 1 is a perspective of the new ornamental triangular ottoman of the present invention.
FIG. 2 is a front perspective thereof.
FIG. 3 is a rear perspective thereof.
FIG. 4 is a right side perspective thereof.
FIG. 5 is a left side perspective thereof.
FIG. 6 is a top view thereof; and,
FIG. 7 is a bottom view thereof.

1 Claim, 4 Drawing Sheets



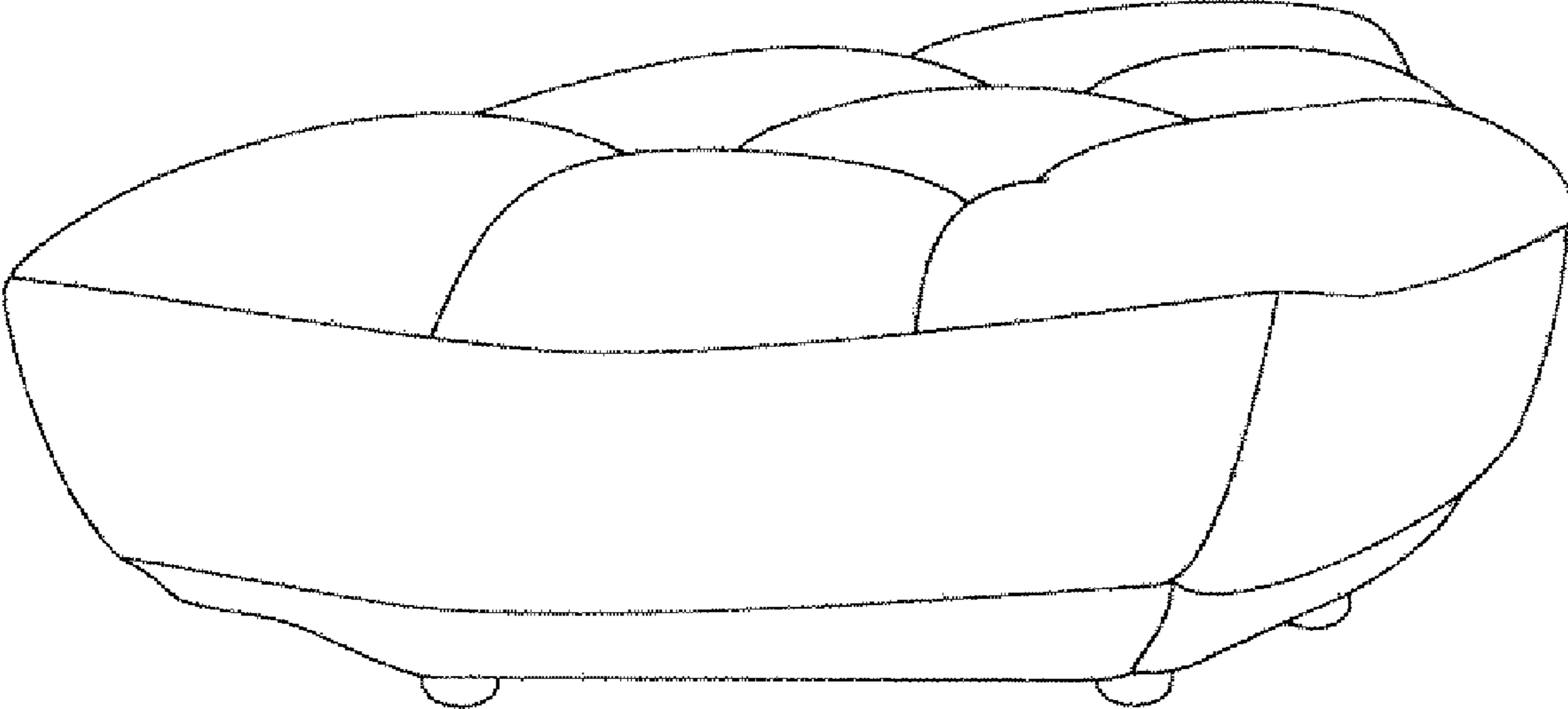


FIG. 1

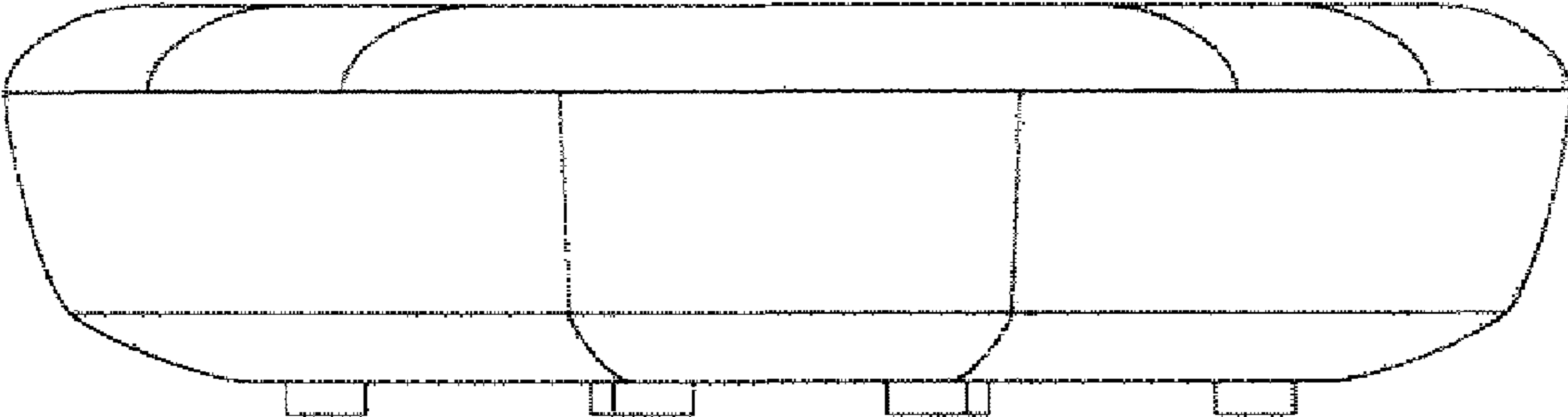


FIG. 2

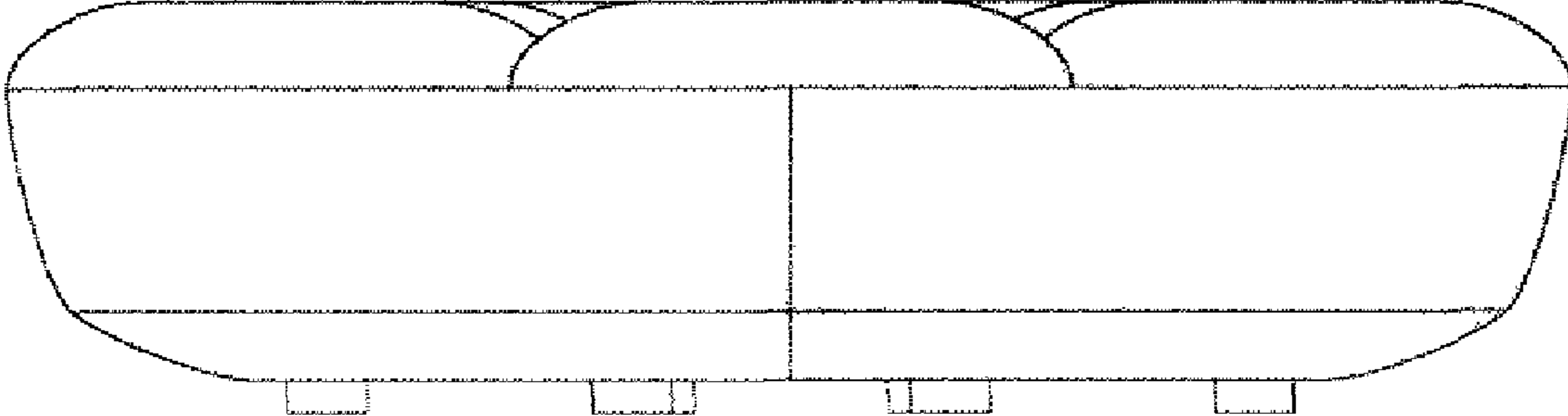


FIG. 3

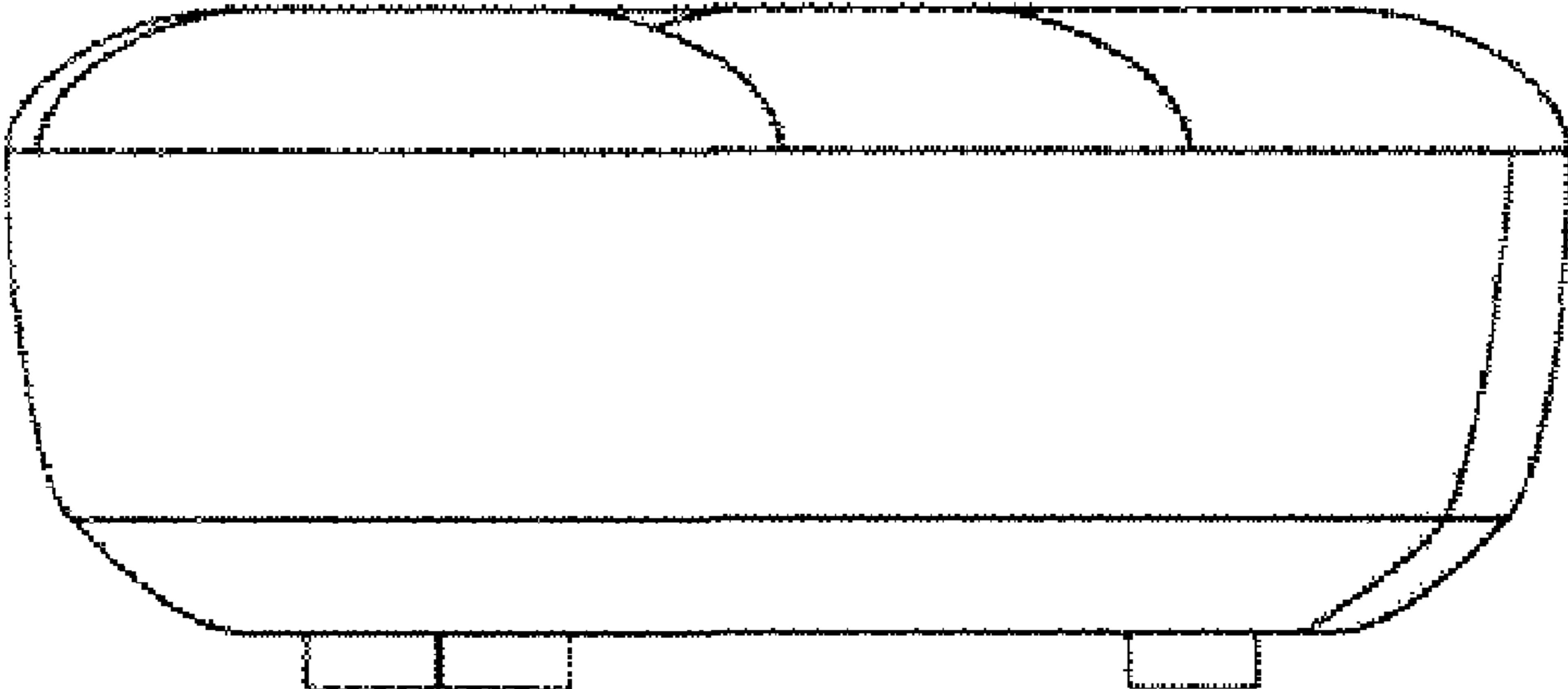


FIG. 4

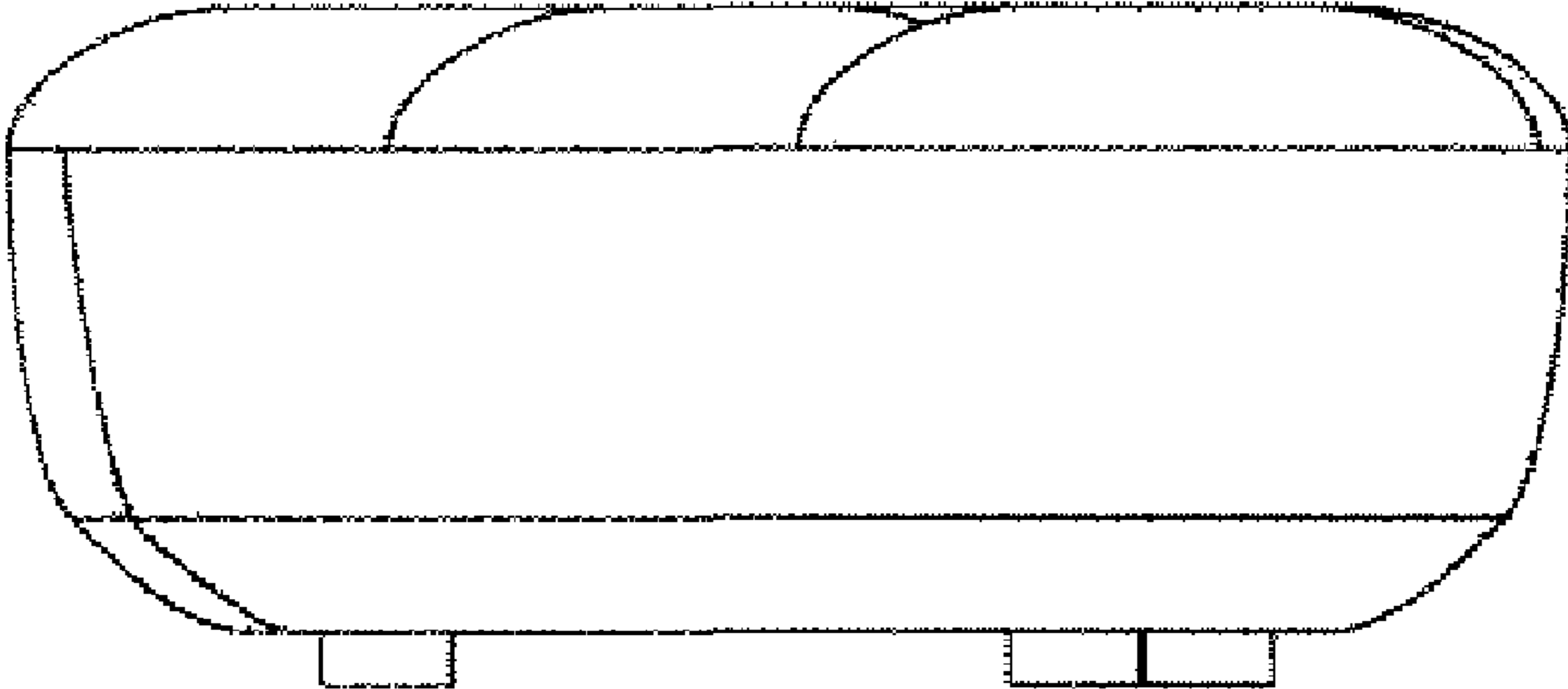


FIG. 5

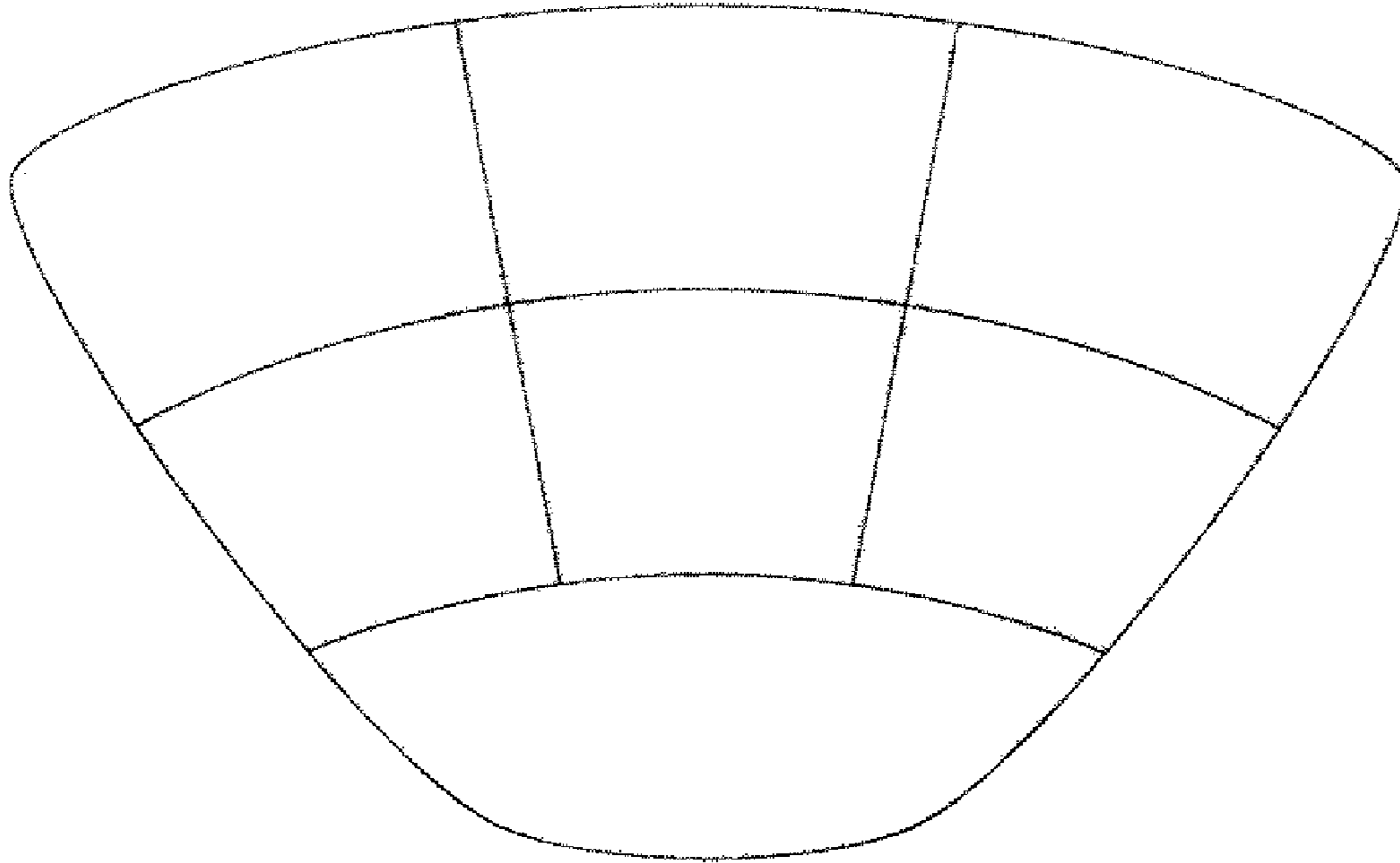


FIG. 6

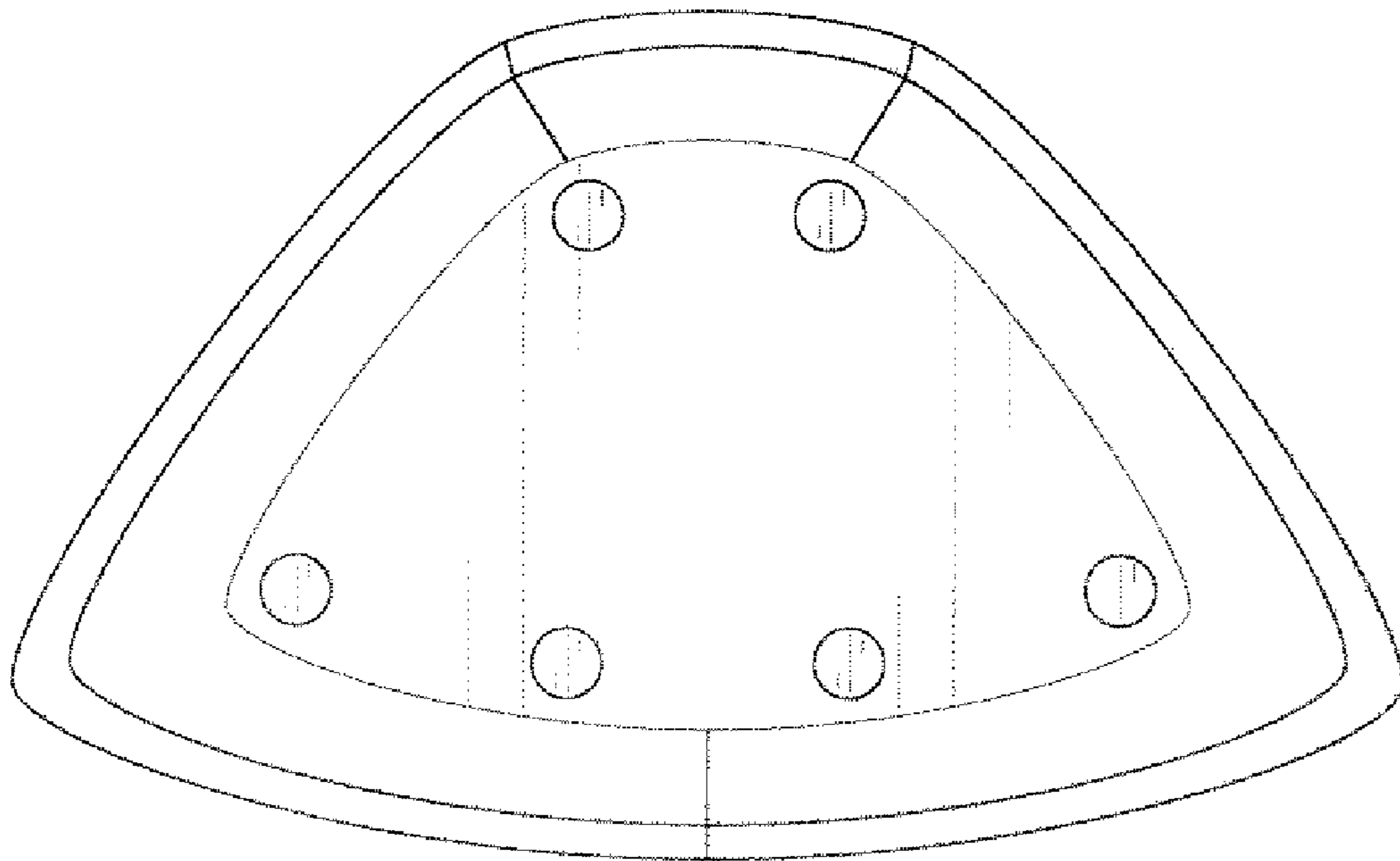


FIG. 7