



US00D611715S

(12) **United States Design Patent**
Werschmidt

(10) **Patent No.:** **US D611,715 S**
(45) **Date of Patent:** **** Mar. 16, 2010**

(54) **BATHING AND TRANSFER CHAIR**

(75) Inventor: **Gary S. Werschmidt**, Yorba Linda, CA (US)

(73) Assignee: **Columbia Medical Manufacturing, LLC**, Santa Fe Springs, CA (US)

(**) Term: **14 Years**

(21) Appl. No.: **29/339,691**

(22) Filed: **Jul. 6, 2009**

D395,852 S *	7/1998	Ditommaso	D12/128
5,887,297 A *	3/1999	Sutor	4/578.1
5,966,750 A *	10/1999	Polanco	4/480
6,182,304 B1 *	2/2001	Freeberg	4/560.1
6,256,806 B1 *	7/2001	DiTommaso	4/560.1
6,279,178 B1 *	8/2001	Hill	4/578.1
6,334,225 B1 *	1/2002	Brinkmann	4/560.1
7,448,097 B2 *	11/2008	Cancian	4/604
7,451,501 B2 *	11/2008	Cheng	4/578.1
7,506,385 B2 *	3/2009	Werschmidt	4/561.1
D598,816 S *	8/2009	Ahlbertz	D12/131
2006/0236449 A1 *	10/2006	Hammer et al.	4/560.1
2007/0083990 A1 *	4/2007	Werschmidt	4/560.1

* cited by examiner

Related U.S. Application Data

(63) Continuation of application No. 11/853,720, filed on Sep. 11, 2007, now abandoned, which is a continuation of application No. 10/957,531, filed on Sep. 30, 2004, now abandoned.

Primary Examiner—Sandra Snapp

(74) *Attorney, Agent, or Firm*—Paul M. Thompson; William W. Cochran; Cochran Freund & Young LLC

(51) **LOC (9) Cl.** **06-01**

(52) **U.S. Cl.** **D6/335**

(58) **Field of Classification Search** D6/334–338, D6/349, 355, 361, 368–370, 376, 379–381, D6/492, 500–502; 297/16.1, 42, 94, 135, 297/175, 232, 233, 350, 351, 445.1, 448.1, 297/448.2, 451.9; 5/12.1, 12.2; D12/128, D12/131; D24/122, 123, 128, 183; 4/560.1, 4/577.1, 579

See application file for complete search history.

(57) **CLAIM**

The ornamental design for a bathing and transfer chair, as shown and described.

(56) **References Cited**

U.S. PATENT DOCUMENTS

3,758,894 A *	9/1973	Finley	4/546
4,253,203 A *	3/1981	Thomas	4/559
5,373,591 A *	12/1994	Myers	4/560.1
D360,172 S *	7/1995	Francke	D12/128
5,517,704 A *	5/1996	Dagostino	4/560.1
5,606,751 A *	3/1997	Baker	4/560.1

DESCRIPTION

FIG. 1 is a front isometric view of a bathing and transfer chair having a lower left portion, a lower right portion and a seat portion;

FIG. 2 is another front isometric view thereof;

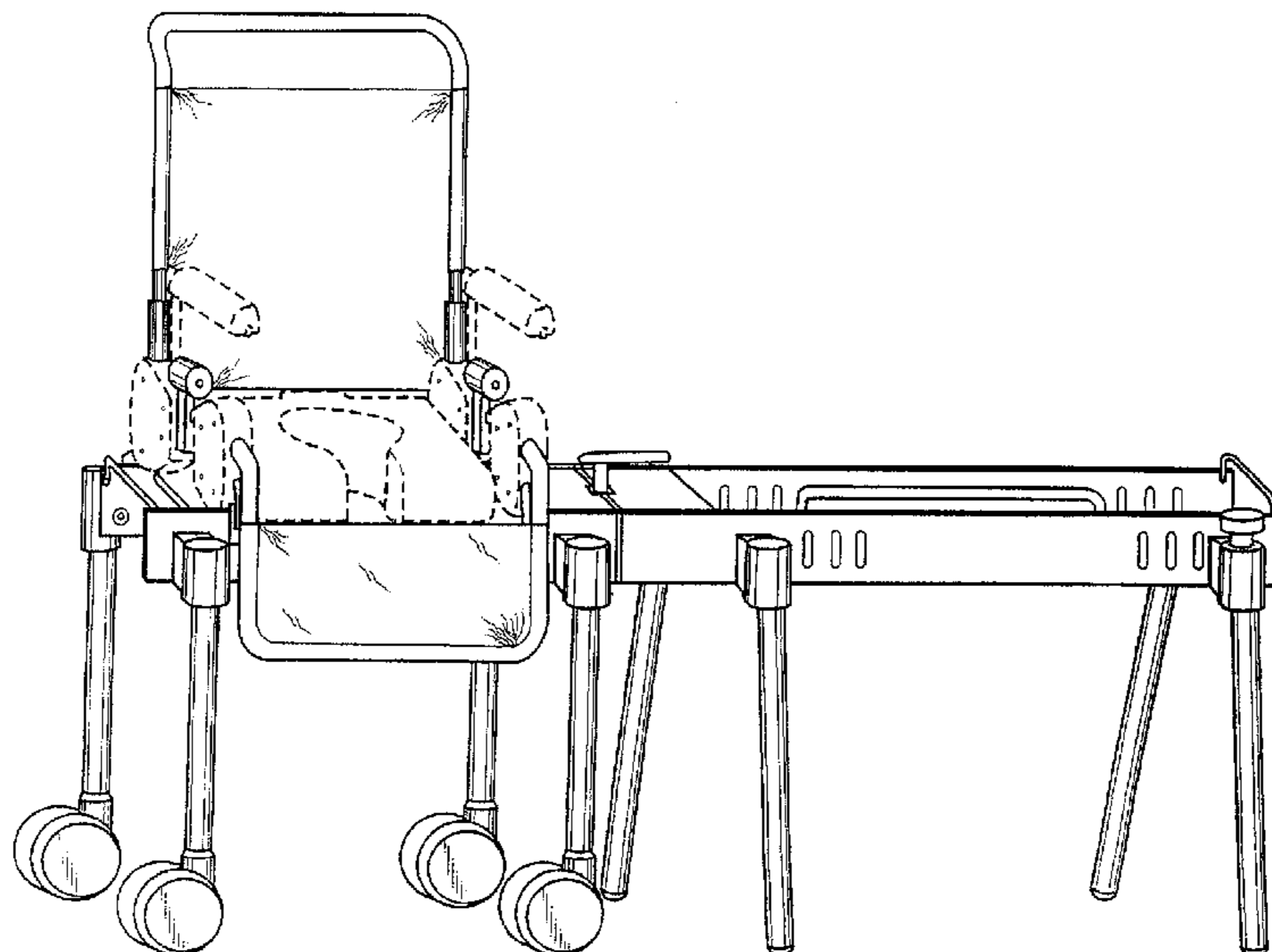
FIG. 3 is a front isometric view of the lower right portion of the bathing and transfer chair;

FIG. 4 is a front isometric view of the lower left portion of the bathing and transfer chair; and,

FIG. 5 is a rear isometric view of the lower right portion and seat portion of the bathing and transfer chair.

Phantom lines in FIGS. 1, 2 and 5 are included for illustrative purposes only and form no part of the claimed design.

1 Claim, 5 Drawing Sheets



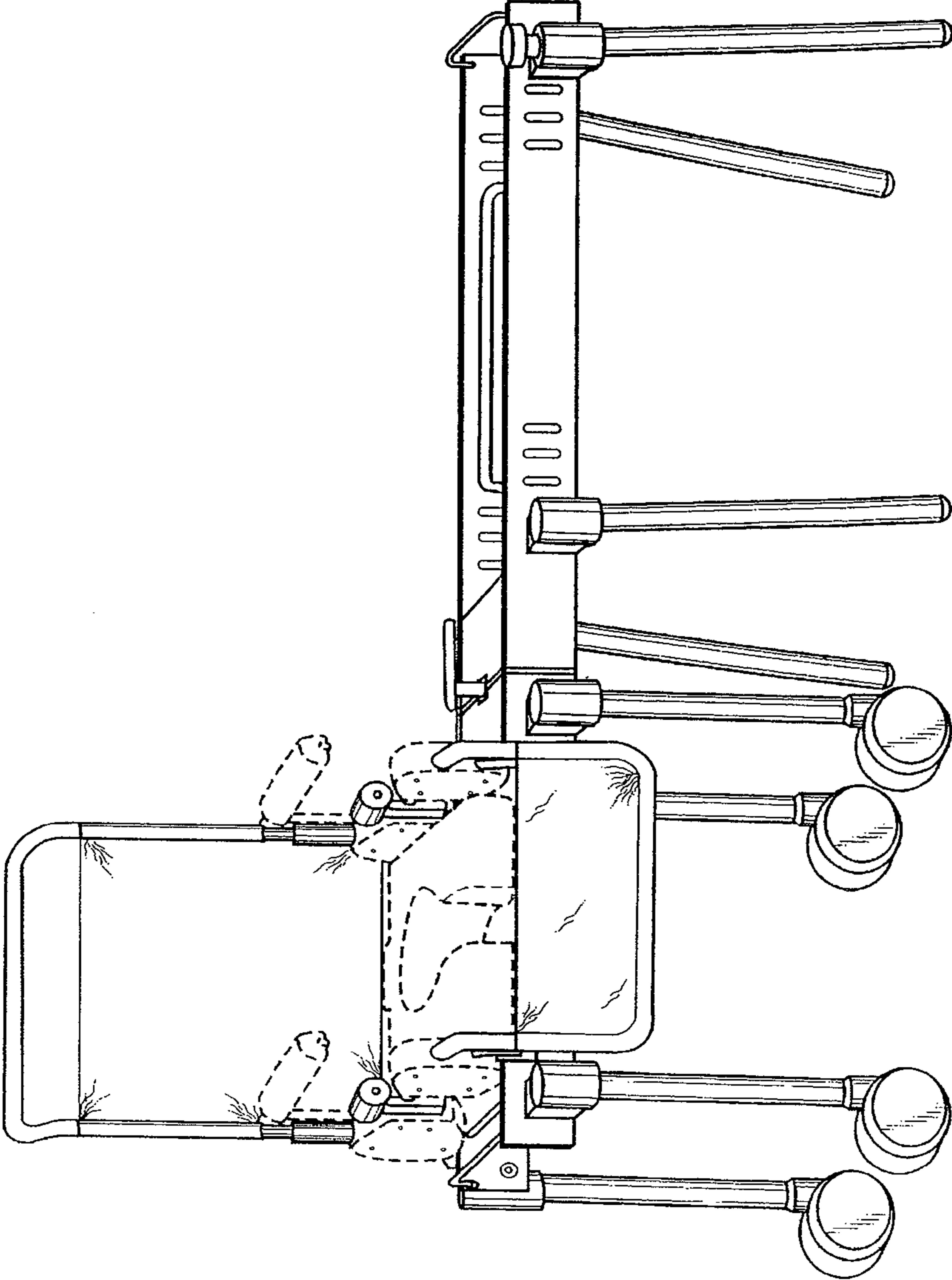


FIGURE 1

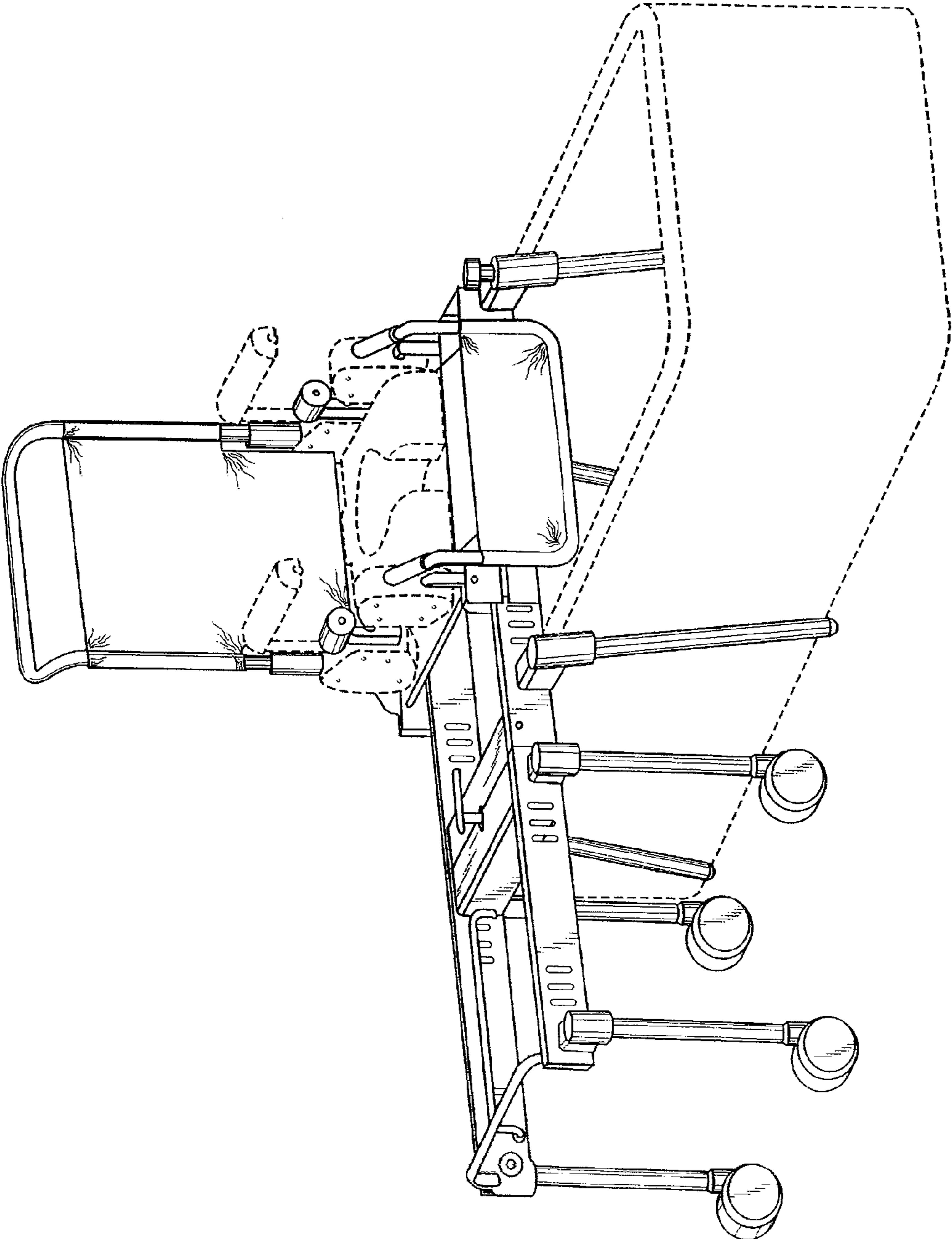


FIGURE 2

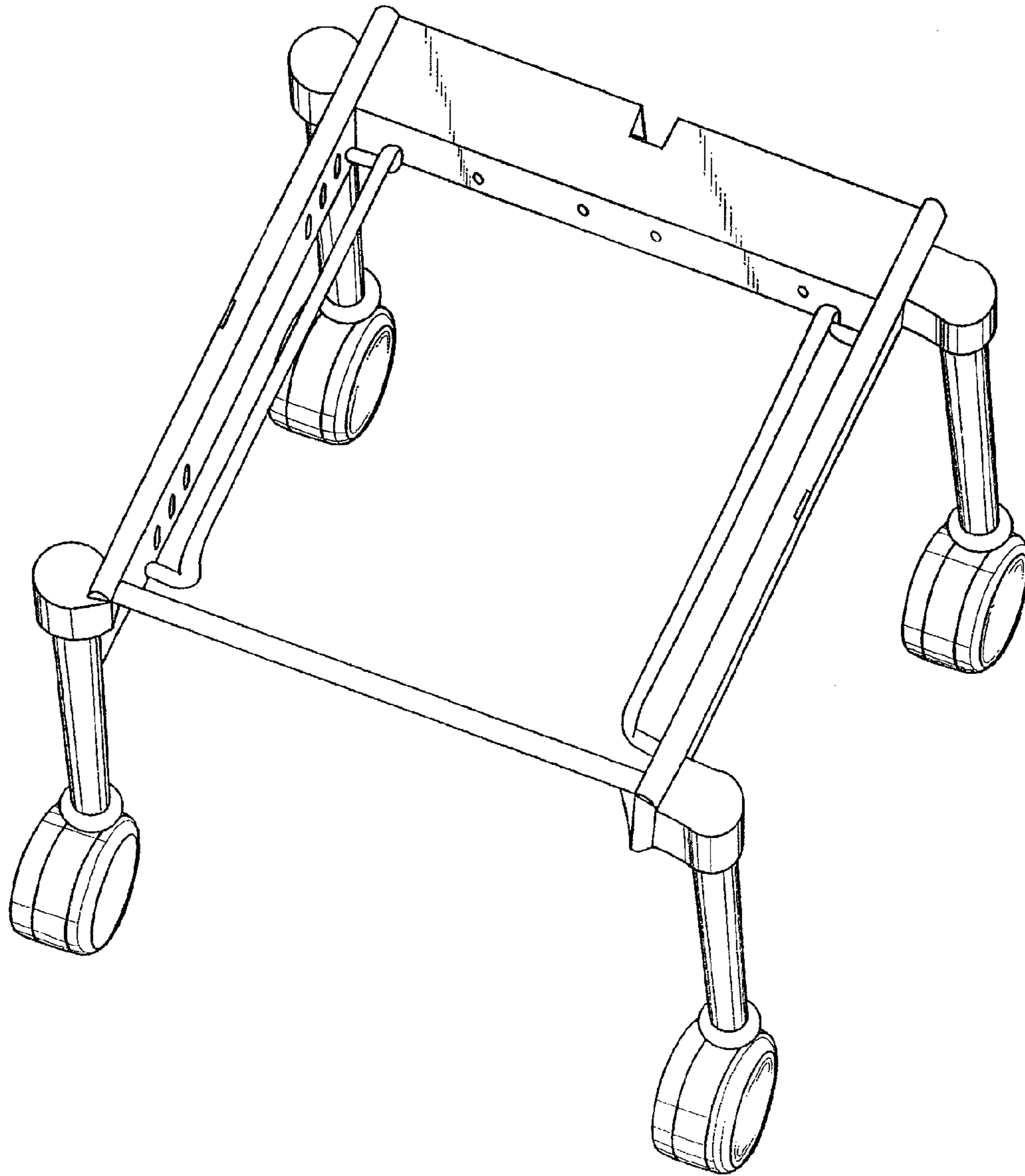


FIGURE 3

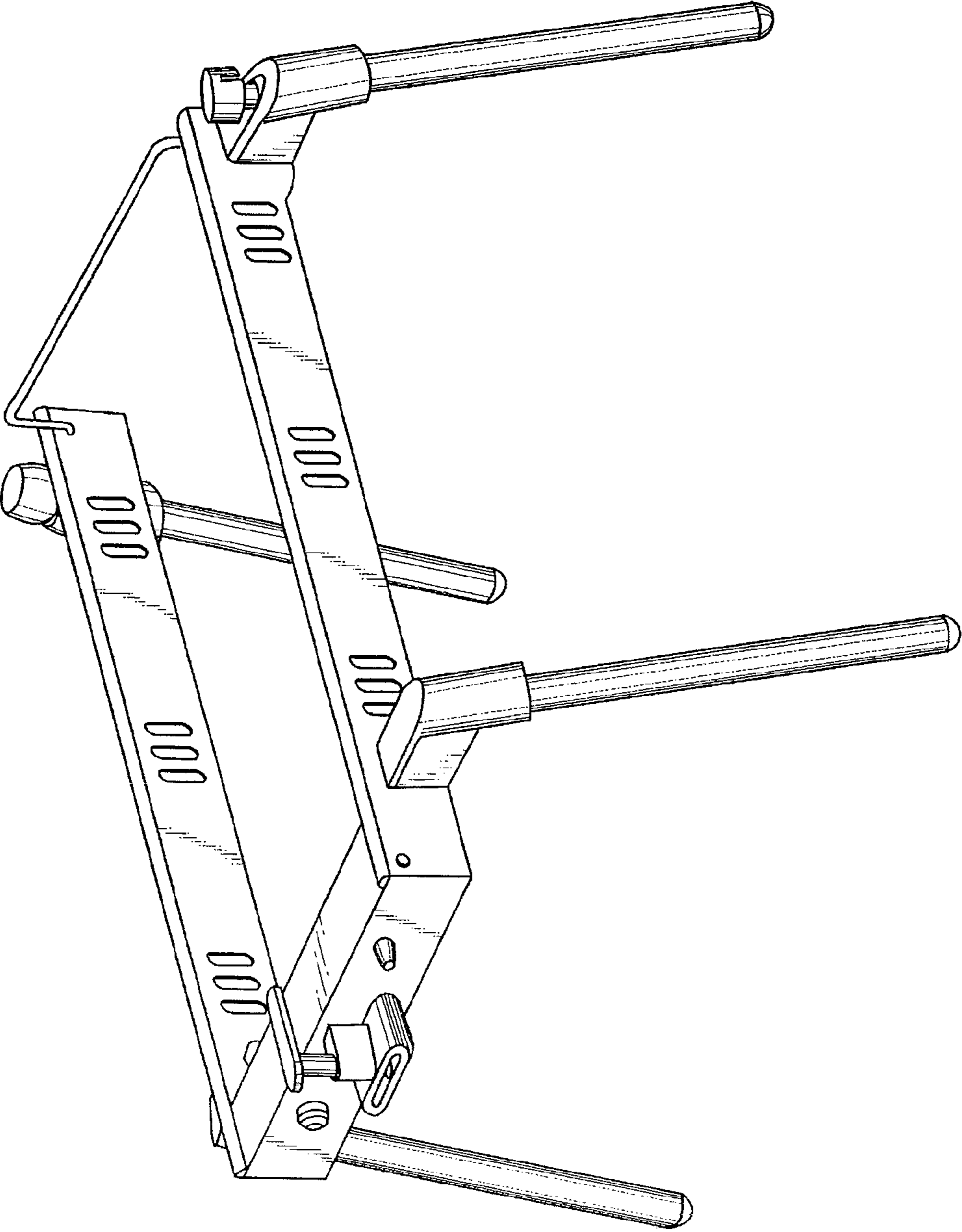


FIGURE 4

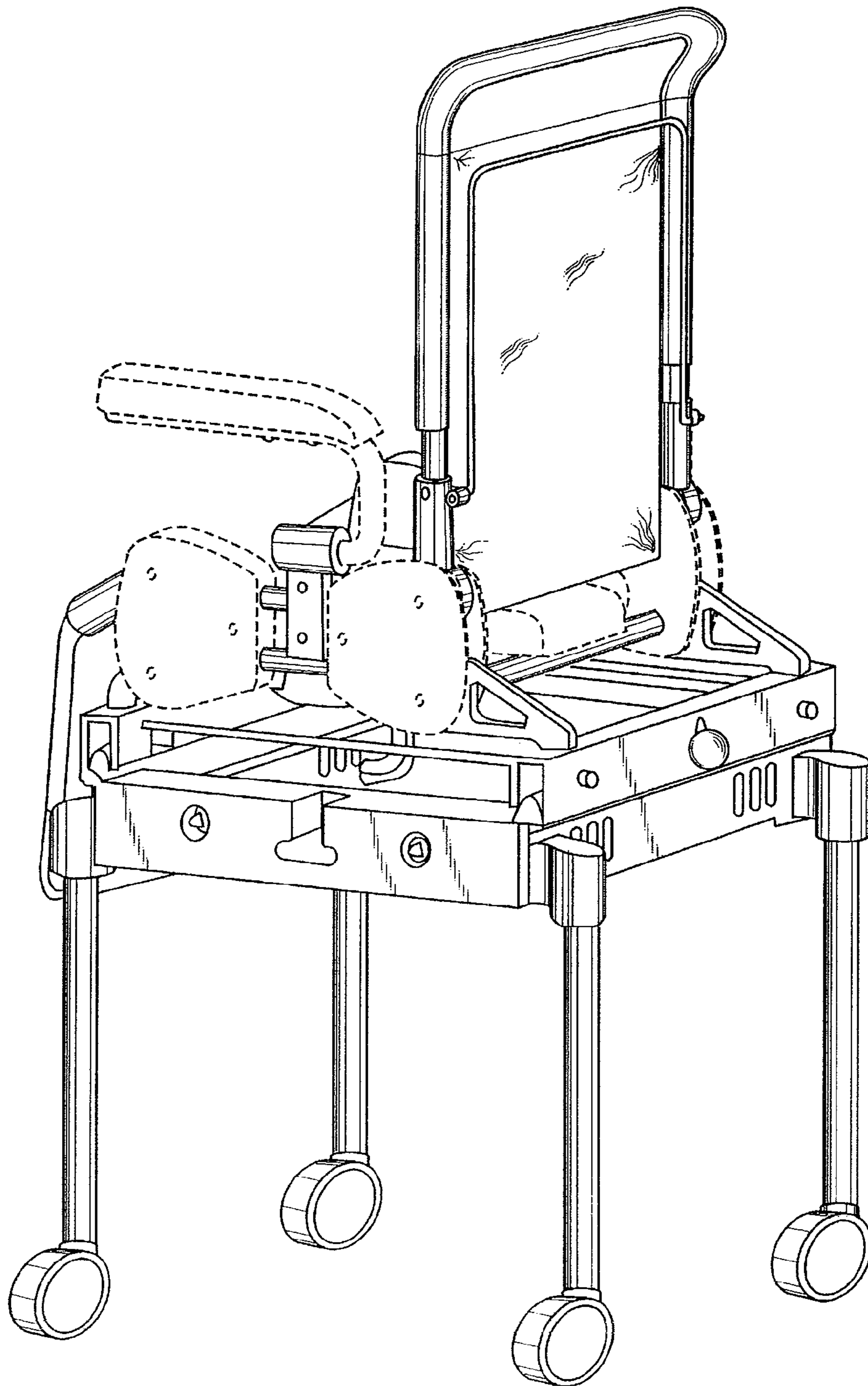


FIGURE 5