



US00D611713S

(12) **United States Design Patent**  
**Marino**

(10) **Patent No.:** **US D611,713 S**  
(45) **Date of Patent:** **\*\* Mar. 16, 2010**

(54) **ADJUSTABLE BRUSH HOLDER**

D521,705 S \* 5/2006 Kent ..... D32/54

(75) Inventor: **Frank Marino**, Baldwin, NY (US)

FOREIGN PATENT DOCUMENTS

(73) Assignee: **Linzer Products Corp.**, West Babylon, NY (US)

CA 2300317 A1 \* 3/2001

(\*\*) Term: **14 Years**

\* cited by examiner

(21) Appl. No.: **29/306,426**

*Primary Examiner*—Melanie H Tung

*Assistant Examiner*—Lavone D Tabor

(22) Filed: **Apr. 9, 2008**

(74) *Attorney, Agent, or Firm*—Collen IP; Donald J. Ranft

(51) **LOC (9) Cl.** ..... **04-99**

(57) **CLAIM**

(52) **U.S. Cl.** ..... **D4/199; D8/354**

The ornamental design for an adjustable brush holder, as shown and described.

(58) **Field of Classification Search** ..... D4/199;

**DESCRIPTION**

D8/349, 371, 382, 394, 354, 355; D32/53, D32/54; 15/246, 257.01, 268; 211/65, 66; 220/697; 248/110, 113, 213.2, 300, 301, 248/316.1, 316.7, 682, 214, 215, 339

FIG. 1 is a top view of my new, original and ornamental design for an adjustable brush holder;

FIG. 2 is a bottom view thereof;

FIG. 3 is a front view thereof;

FIG. 4 is a rear view thereof;

FIG. 5 is a right side view thereof;

FIG. 6 is a reduced top left perspective view thereof; and,

FIG. 7 is a reduced top front perspective view thereof.

See application file for complete search history.

The broken lines showing a paintbrush, screws, and a container illustrate environmental structure which forms no part of the claimed design.

(56) **References Cited**

U.S. PATENT DOCUMENTS

- 120,818 A \* 11/1871 Isham ..... 248/113
- D28,652 S \* 5/1898 Dettelbach ..... D8/394
- 2,555,053 A \* 5/1951 Myrick et al. .... 248/113
- 3,432,875 A \* 3/1969 Edelson et al. .... 15/246
- 3,672,619 A \* 6/1972 Bowen ..... 248/113
- 5,087,014 A \* 2/1992 Desjardin ..... 248/692
- 6,871,825 B2 \* 3/2005 Song ..... 248/113

**1 Claim, 3 Drawing Sheets**

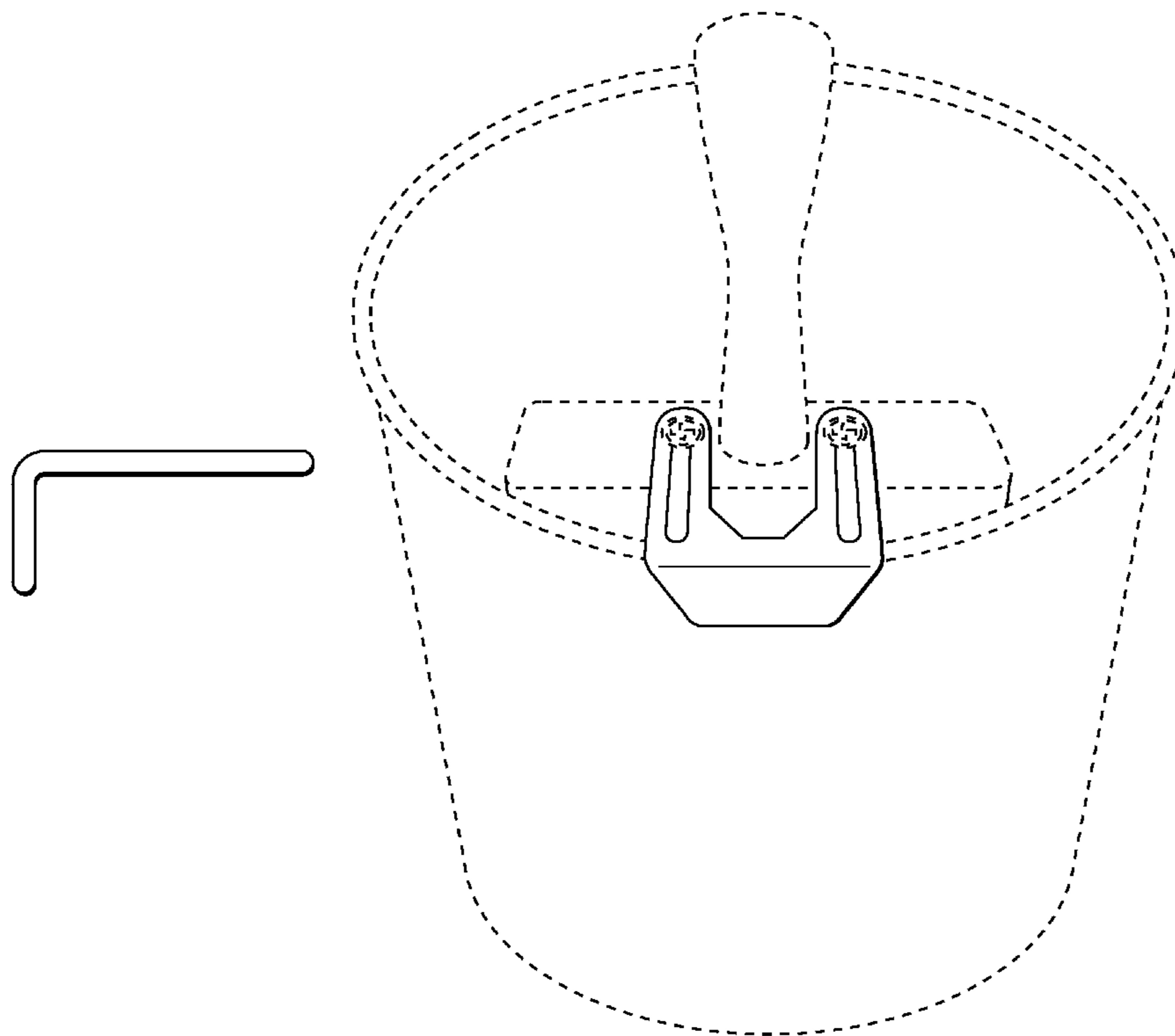


Fig. 1

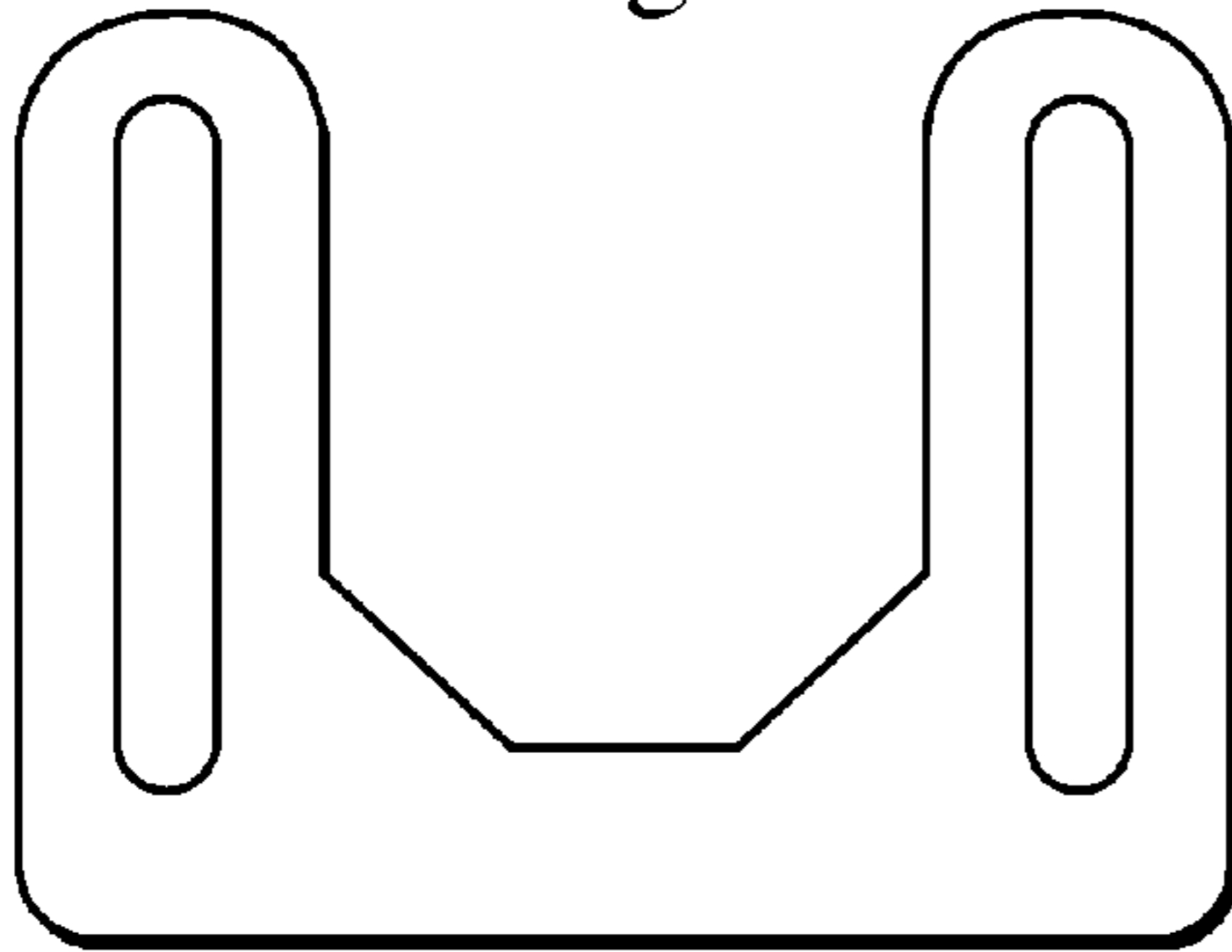


Fig. 2

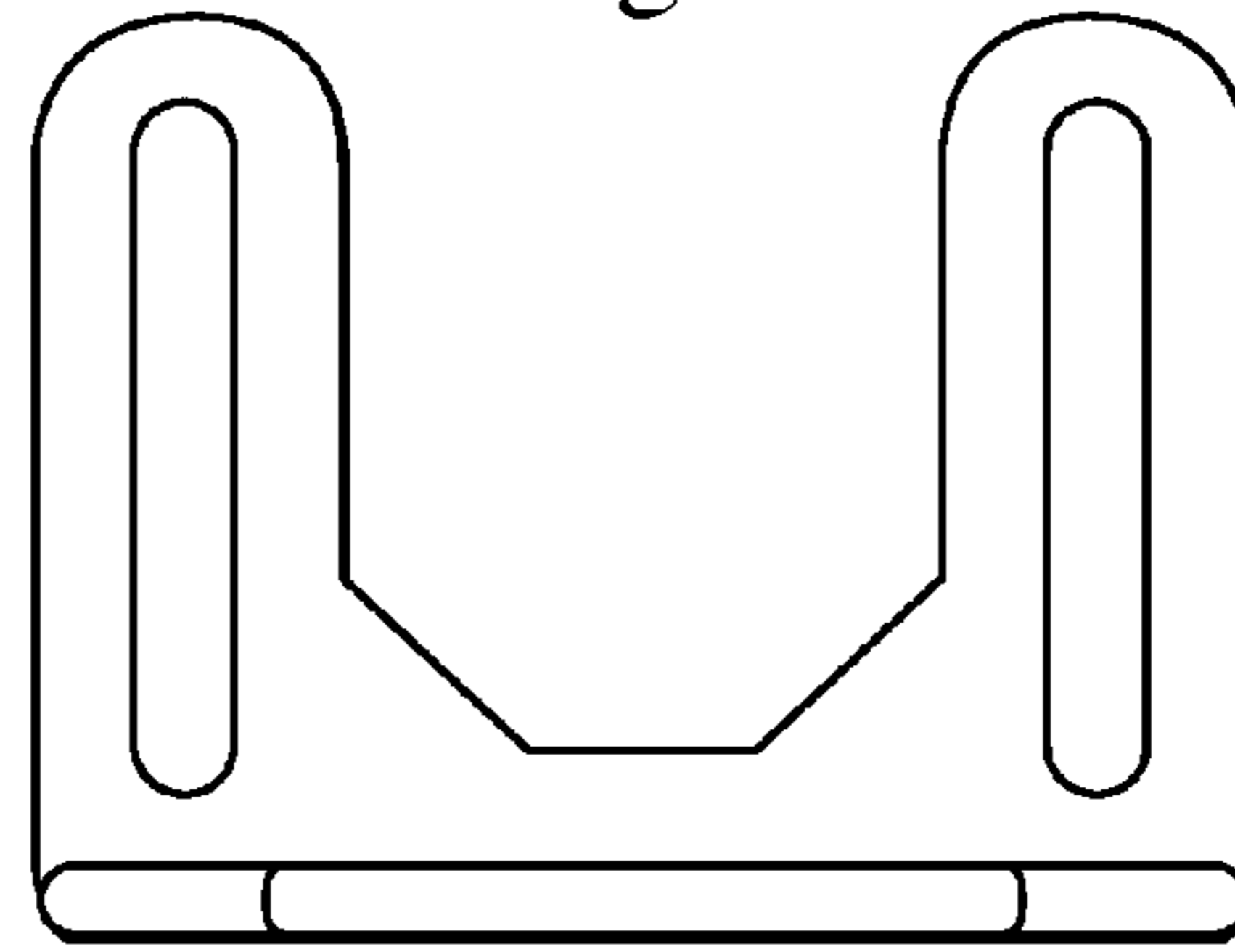


Fig. 3



Fig. 4

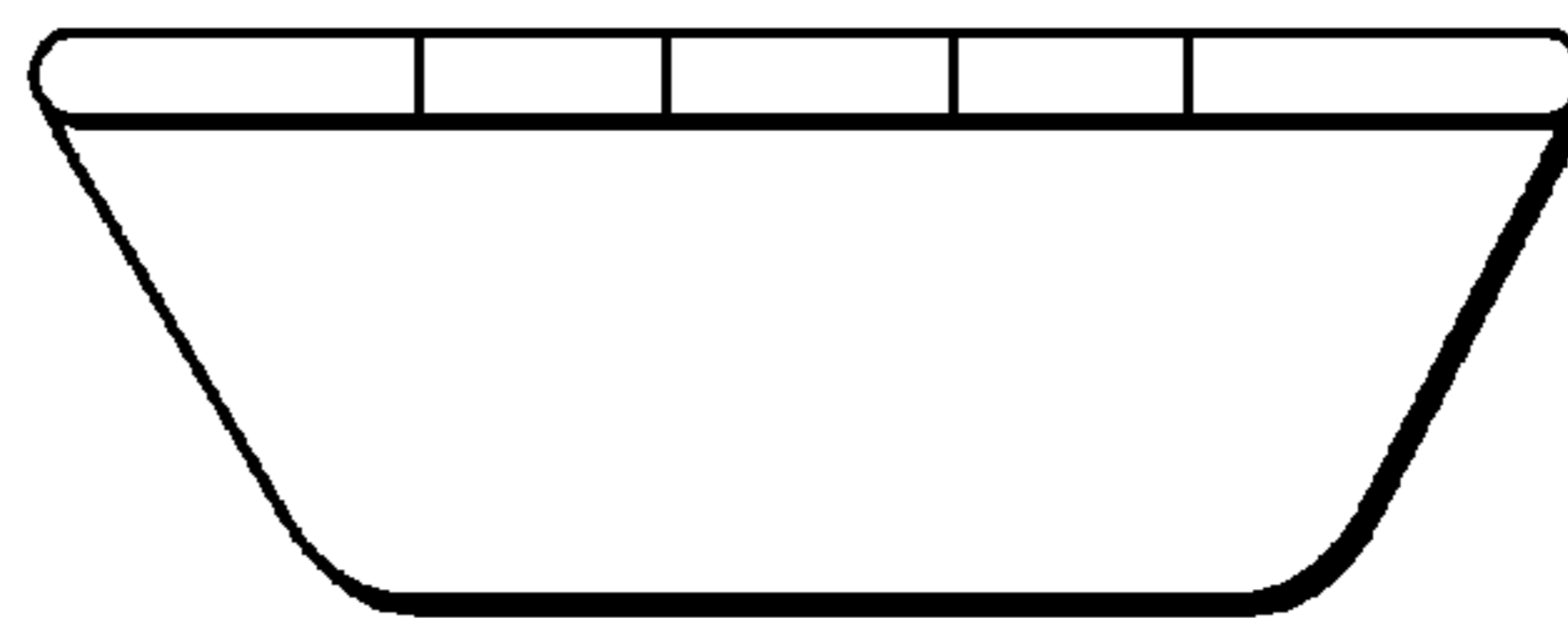


Fig. 5

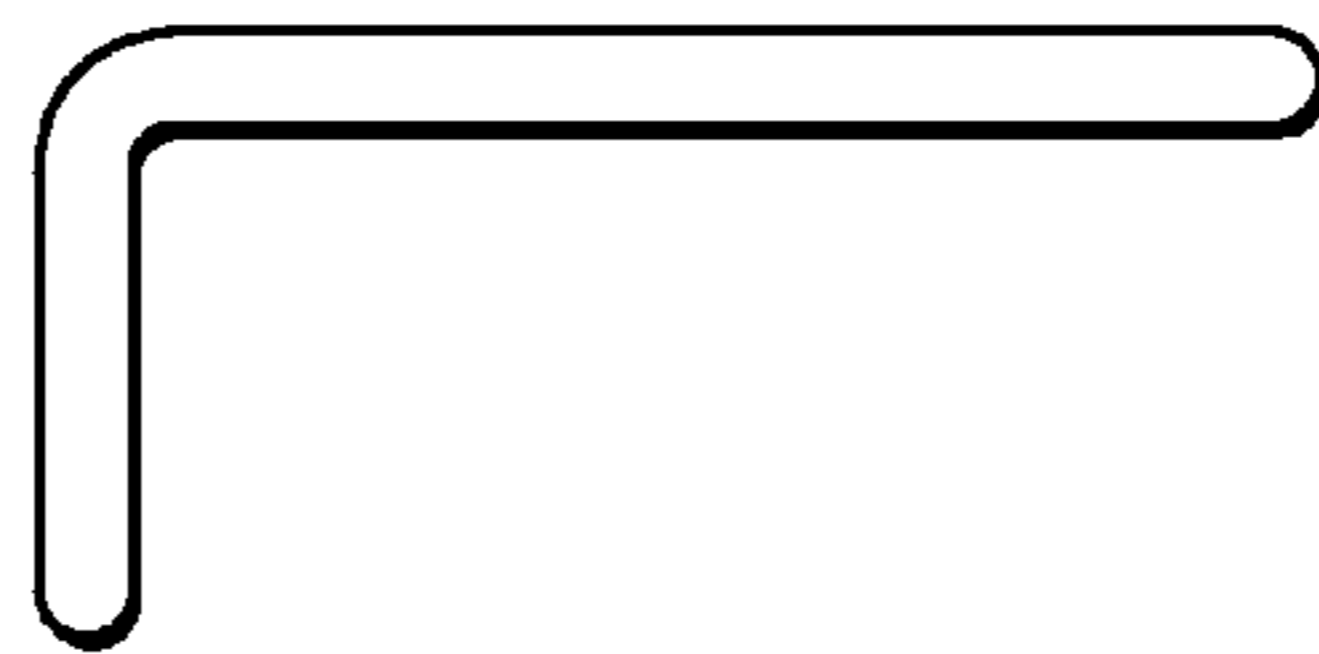


FIG. 6

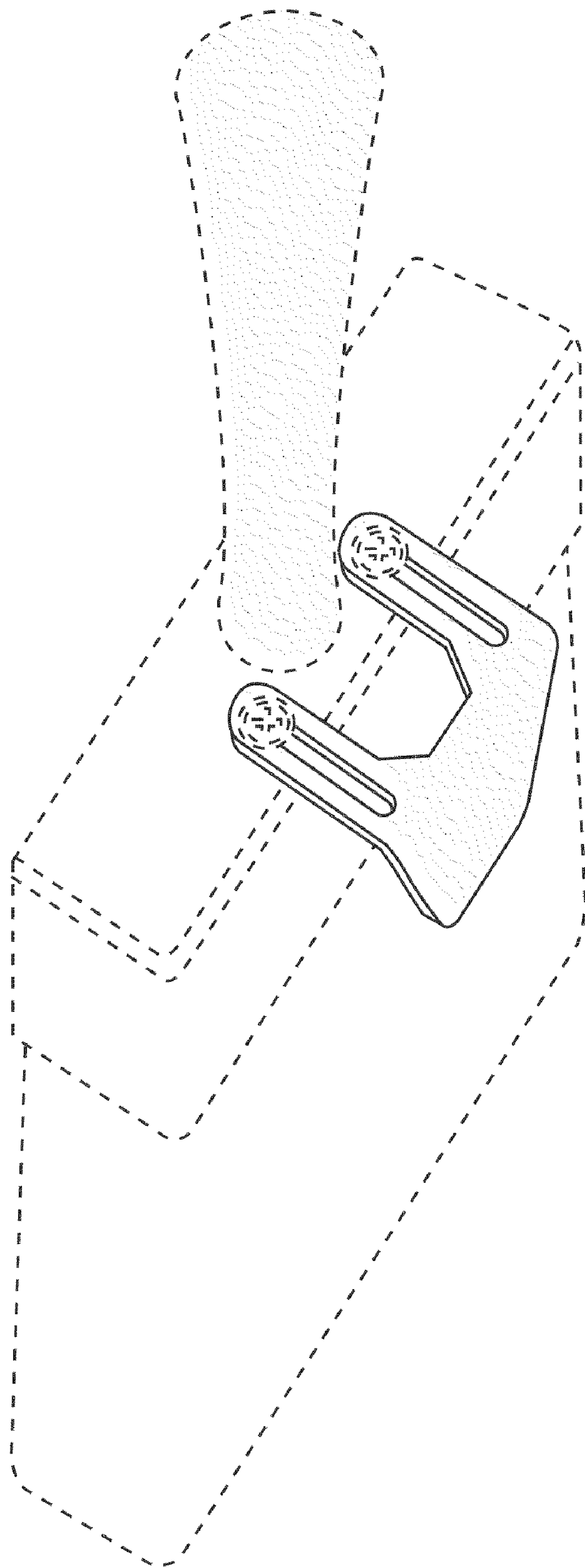


Fig. 7

