



US00D611712S

(12) **United States Design Patent**  
**Stoerkel et al.**

(10) **Patent No.:** **US D611,712 S**  
(45) **Date of Patent:** **\*\* \*Mar. 16, 2010**

(54) **TOOTHBRUSH REFILL**

D569,623 S 5/2008 Beedham  
D572,007 S 7/2008 Lamason et al.  
D580,173 S 11/2008 Beedham

(75) Inventors: **Ulrich Stoerkel**, Bad Nauheim (DE);  
**Georges Driesen**, Kronberg (DE);  
**Michael Schmid**, Frankfurt am Main  
(DE); **Uwe Jungnickel**,  
Koenigstein/Tanus (DE); **Norbert**  
**Schaefer**, Frankfurt (DE); **Hansjoerg**  
**Reick**, Steinbach (DE)

**FOREIGN PATENT DOCUMENTS**

EP 1 774 924 A1 4/2007  
GB D2060245 2/1997  
JP 53029846 A \* 3/1978  
JP D1127492 11/2001  
JP D1313093 10/2007  
JP D1327476 4/2008

\* cited by examiner

*Primary Examiner*—Melanie H Tung

*Assistant Examiner*—Lavone D Tabor

(74) *Attorney, Agent, or Firm*—George H. Leal; Vladimir  
Vitenberg; David M. Weirich

(73) Assignee: **Braun GmbH**, Kronberg (DE)

(\*\*) Term: **14 Years**

(21) Appl. No.: **29/308,763**

(22) Filed: **Jul. 3, 2008**

(51) **LOC (9) Cl.** ..... **04-02**

(52) **U.S. Cl.** ..... **D4/104**

(58) **Field of Classification Search** ..... D4/101,  
D4/104–113, 134, 136; 15/167.1, 167.2,  
15/DIG. 5, 186–188; 132/308–311; 601/139,  
601/141, 142

See application file for complete search history.

(56) **References Cited**

**U.S. PATENT DOCUMENTS**

D121,519 S \* 7/1940 Mastrud ..... D4/104  
3,927,435 A \* 12/1975 Moret et al. .... 15/176.1  
D297,784 S \* 9/1988 Moret ..... D4/101  
5,365,627 A \* 11/1994 Jousson et al. .... 15/22.1  
D397,251 S 8/1998 Eguchi et al.  
5,850,659 A \* 12/1998 Butler et al. .... 15/167.1  
D478,423 S 8/2003 Mulder et al.  
D517,325 S \* 3/2006 Black et al. .... D4/108  
7,111,350 B2 \* 9/2006 Blackman et al. .... 15/28  
7,134,162 B2 11/2006 Kweon et al.  
D549,460 S \* 8/2007 Crossman ..... D4/104  
D563,674 S 3/2008 Beedham

(57) **CLAIM**

The ornamental design for a toothbrush refill, as shown and described.

**DESCRIPTION**

FIG. 1 is a perspective view as seen from the front and left side of a toothbrush refill showing our new design;

FIG. 2 is a left side view of the toothbrush refill of FIG. 1;

FIG. 3 is a right side view of the toothbrush refill of FIG. 1;

FIG. 4 is a front view of the toothbrush refill of FIG. 1;

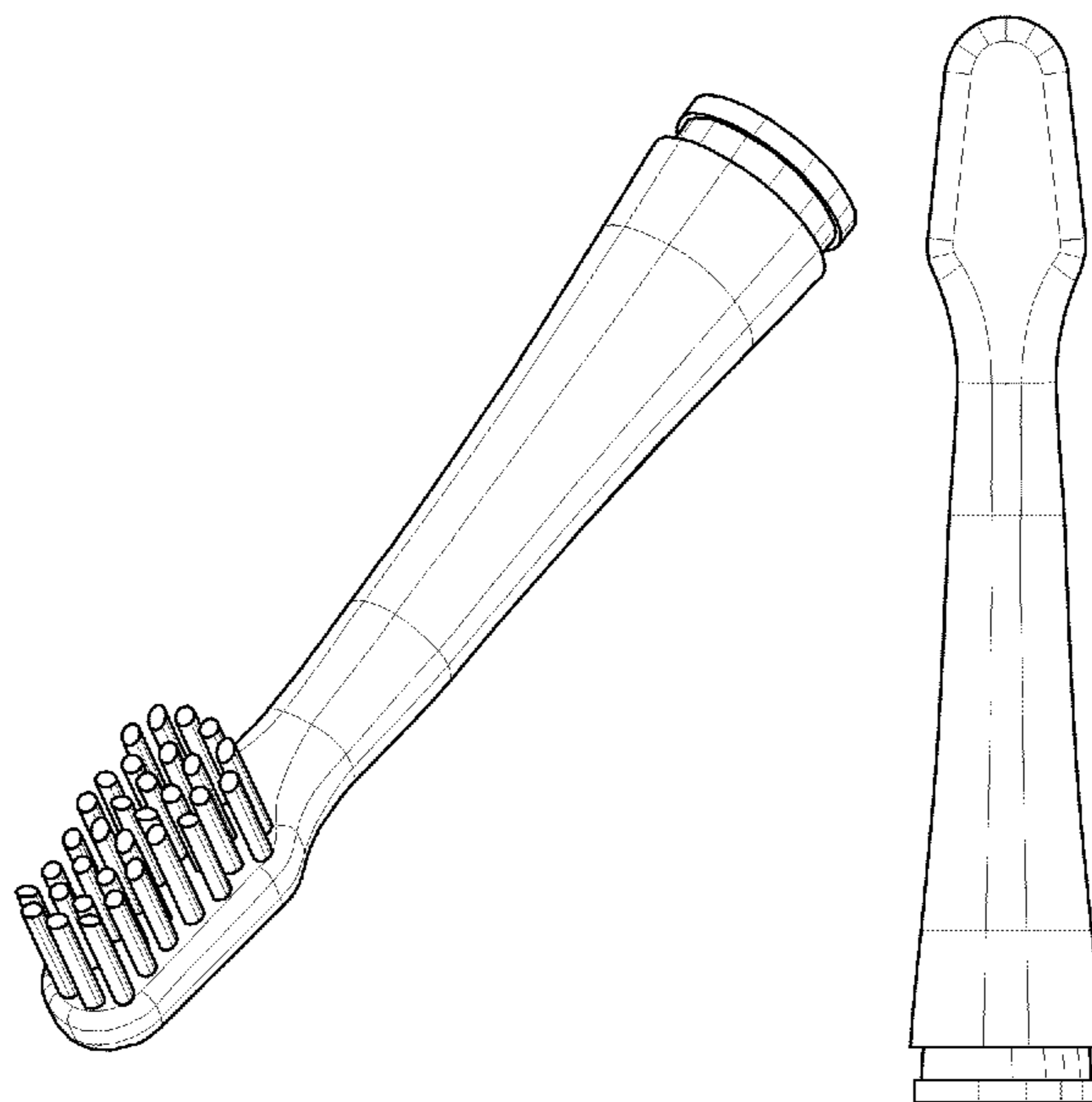
FIG. 5 is back view of the toothbrush refill of FIG. 1;

FIG. 6 is an enlarged top view of the toothbrush refill of FIG. 1; and,

FIG. 7 is an enlarged bottom view of the toothbrush refill of FIG. 1.

The broken lines illustrate portions of the toothbrush refill that form no part of the claimed design.

**1 Claim, 4 Drawing Sheets**



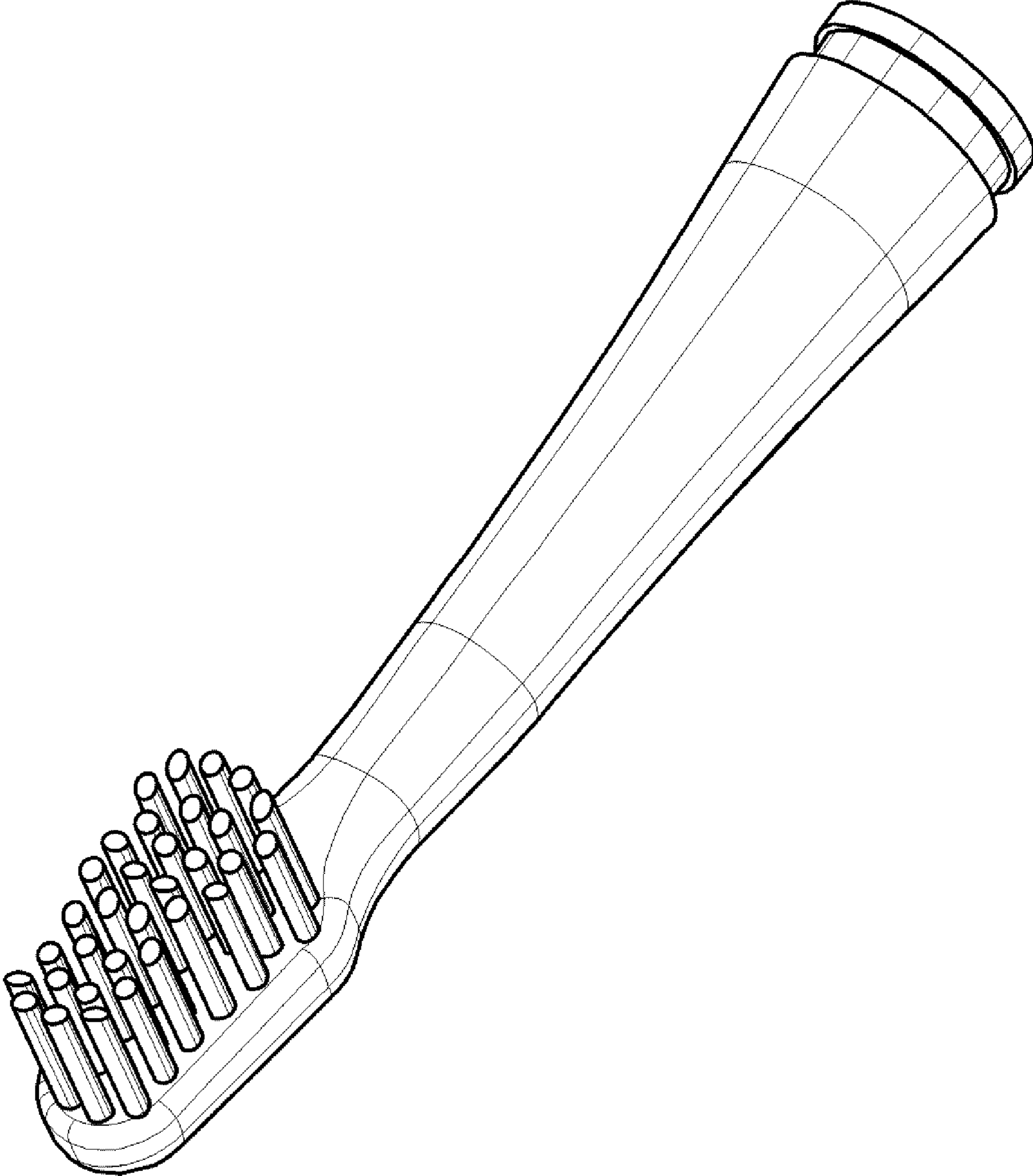


Fig. 1

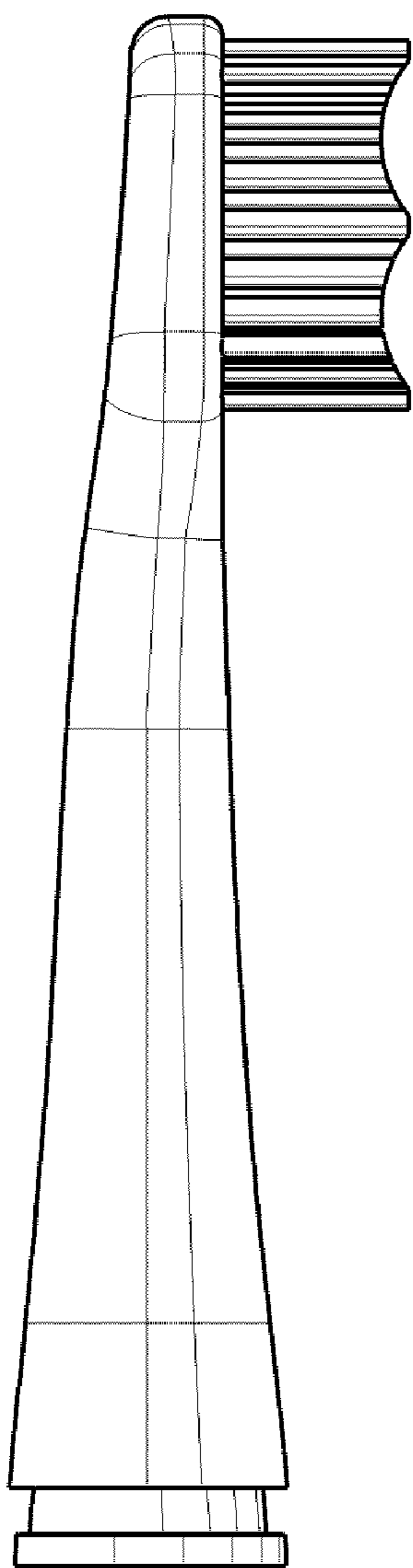


Fig. 2

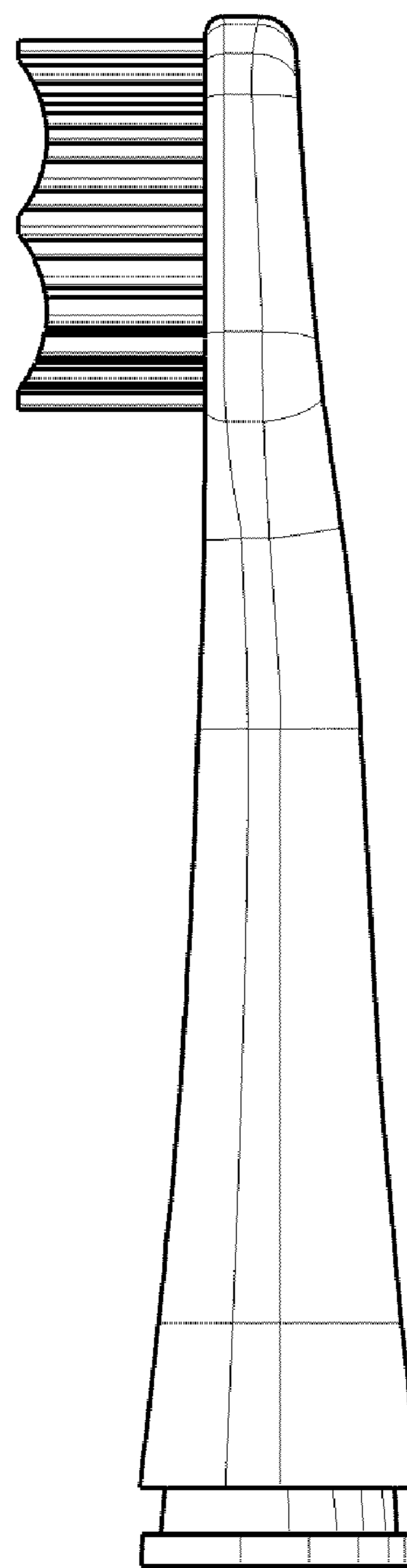


Fig. 3

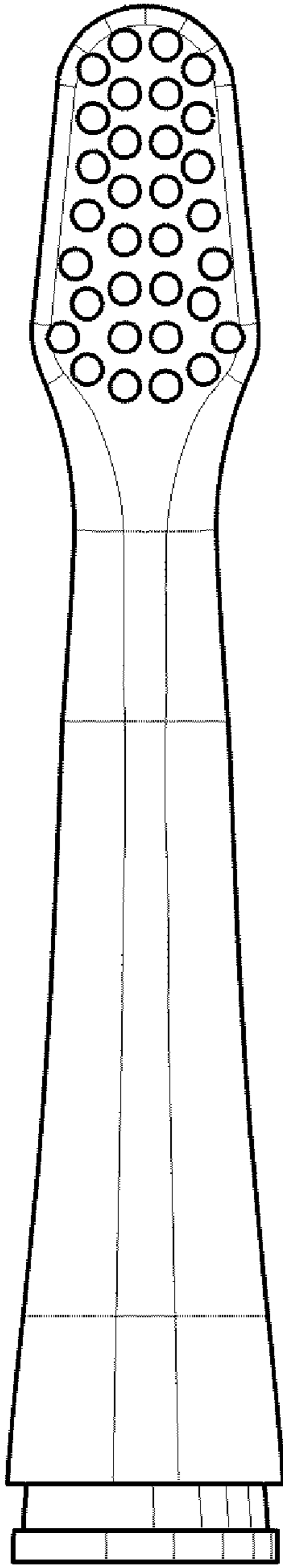


Fig. 4

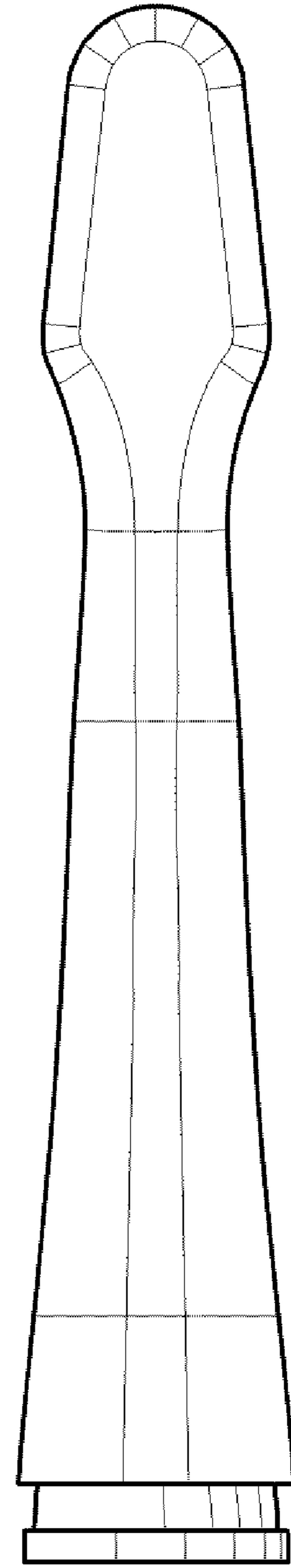


Fig. 5

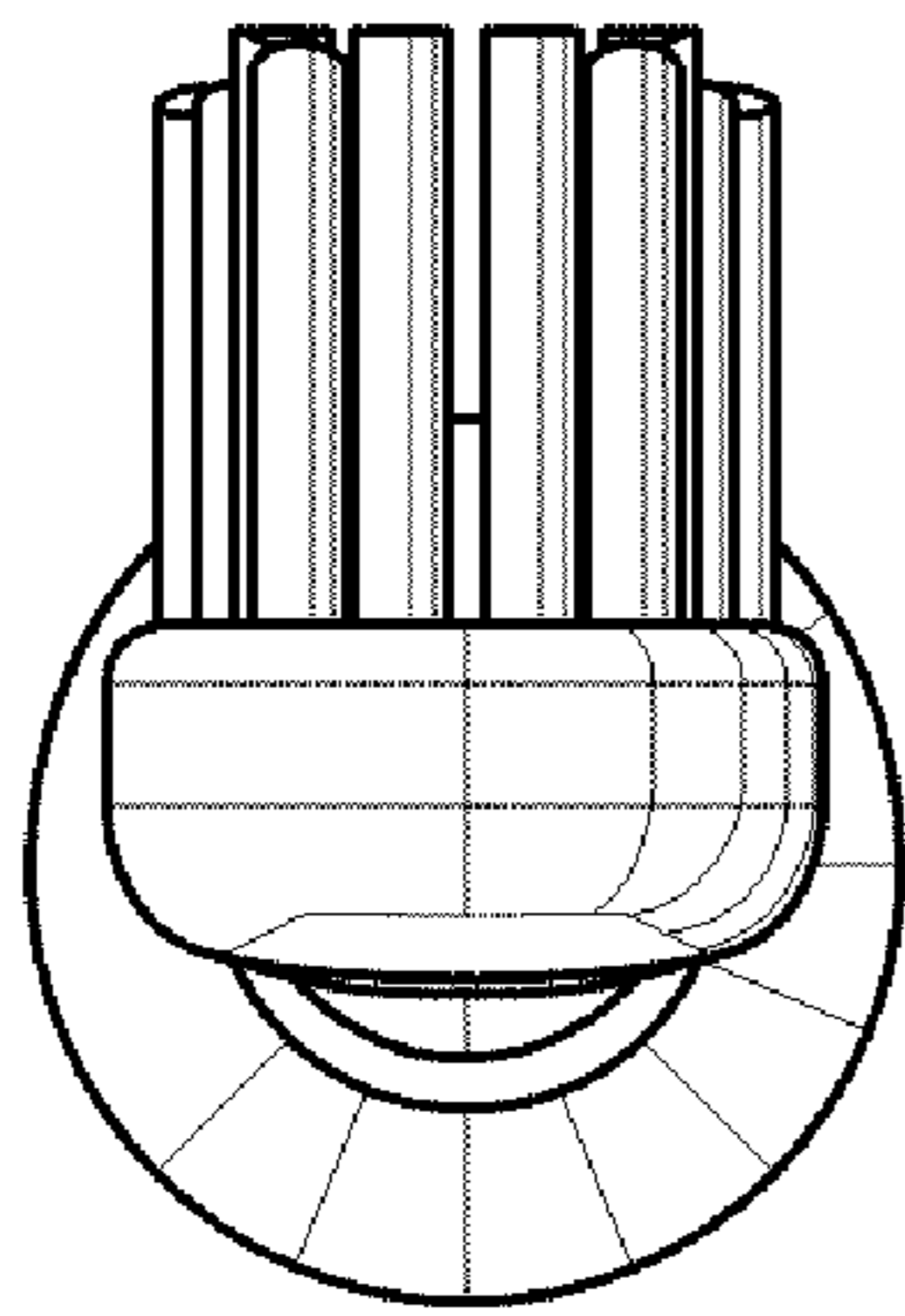


Fig. 6

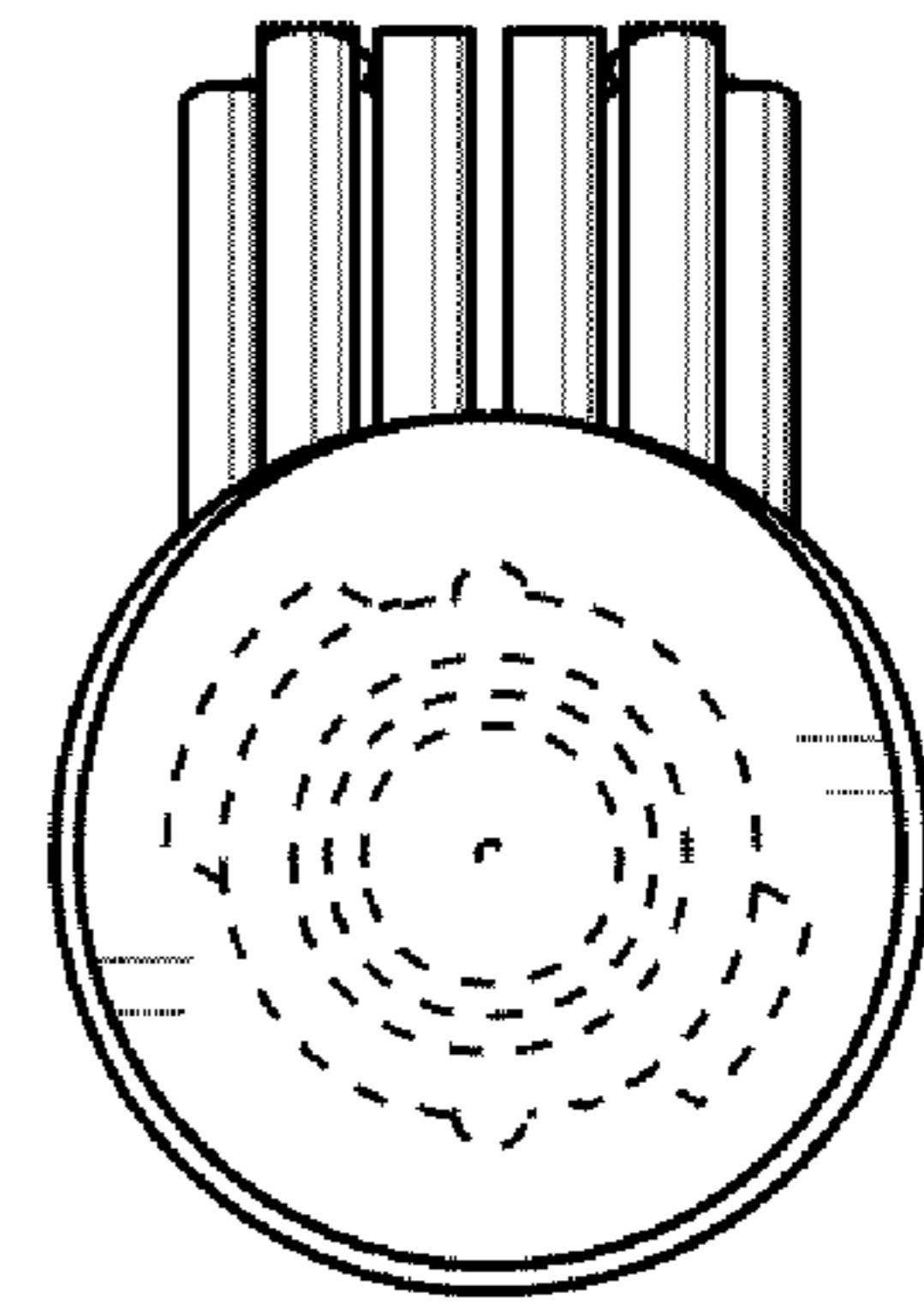


Fig. 7