



US00D611710S

(12) **United States Design Patent**
Paik

(10) **Patent No.:** **US D611,710 S**
(45) **Date of Patent:** **** Mar. 16, 2010**

(54) **BELT FASTENER FOR A BAG**

(76) Inventor: **Jisook Paik**, 108-403 LG Zai Apartment,
Icheon-dong, Yongsan-ku, Seoul (KR)

(**) Term: **14 Years**

(21) Appl. No.: **29/313,051**

(22) Filed: **Dec. 3, 2008**

(51) **LOC (9) Cl.** **03-01**

(52) **U.S. Cl.** **D3/318**

(58) **Field of Classification Search** D3/232,
D3/233, 240–246, 318, 324; D11/218; 24/171;
150/100, 103–104, 106–110, 113–114, 118–119
See application file for complete search history.

(56) **References Cited**

U.S. PATENT DOCUMENTS

4,791,709 A *	12/1988	Fildan	24/171
D472,046 S *	3/2003	Galliano	D3/243
D520,908 S *	5/2006	Haymond	D11/218

* cited by examiner

Primary Examiner—Holly H Baynham
(74) *Attorney, Agent, or Firm*—Jordan and Hamburg LLP

(57) **CLAIM**

The ornamental design for the belt fastener for a bag, as shown.

DESCRIPTION

FIG. 1 is a perspective view of the belt fastener for a bag of the invention;

FIG. 2 is a front view thereof;

FIG. 3 is a rear view thereof;

FIG. 4 is a left side view thereof;

FIG. 5 is a right side view thereof;

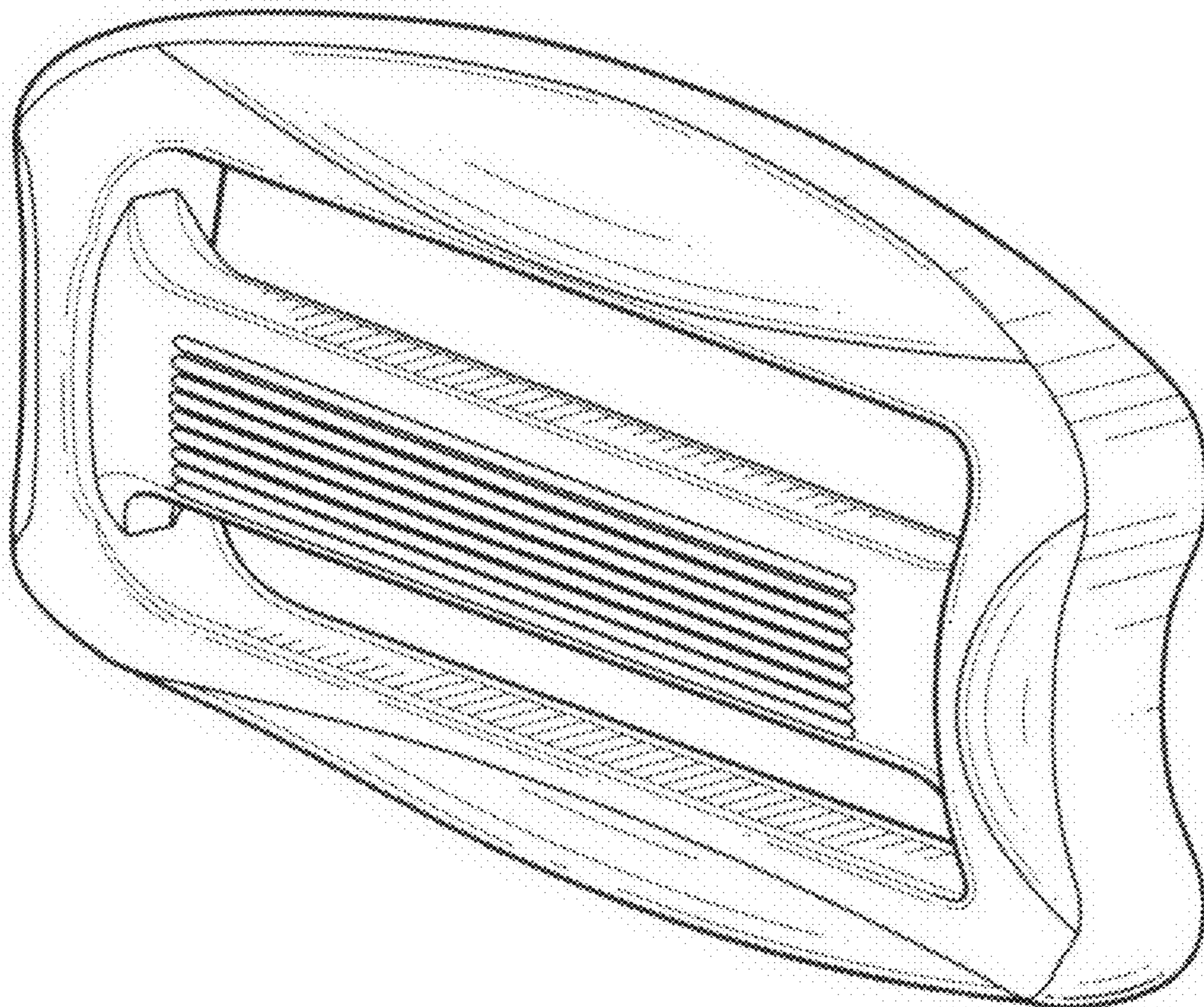
FIG. 6 is a top plan view thereof;

FIG. 7 is a bottom plan view thereof;

FIG. 8 is a cross-sectional view thereof taken along line VIII—VIII in FIG. 2; and,

FIG. 9 is a cross-sectional view thereof taken along line IX—IX in FIG. 2.

1 Claim, 5 Drawing Sheets



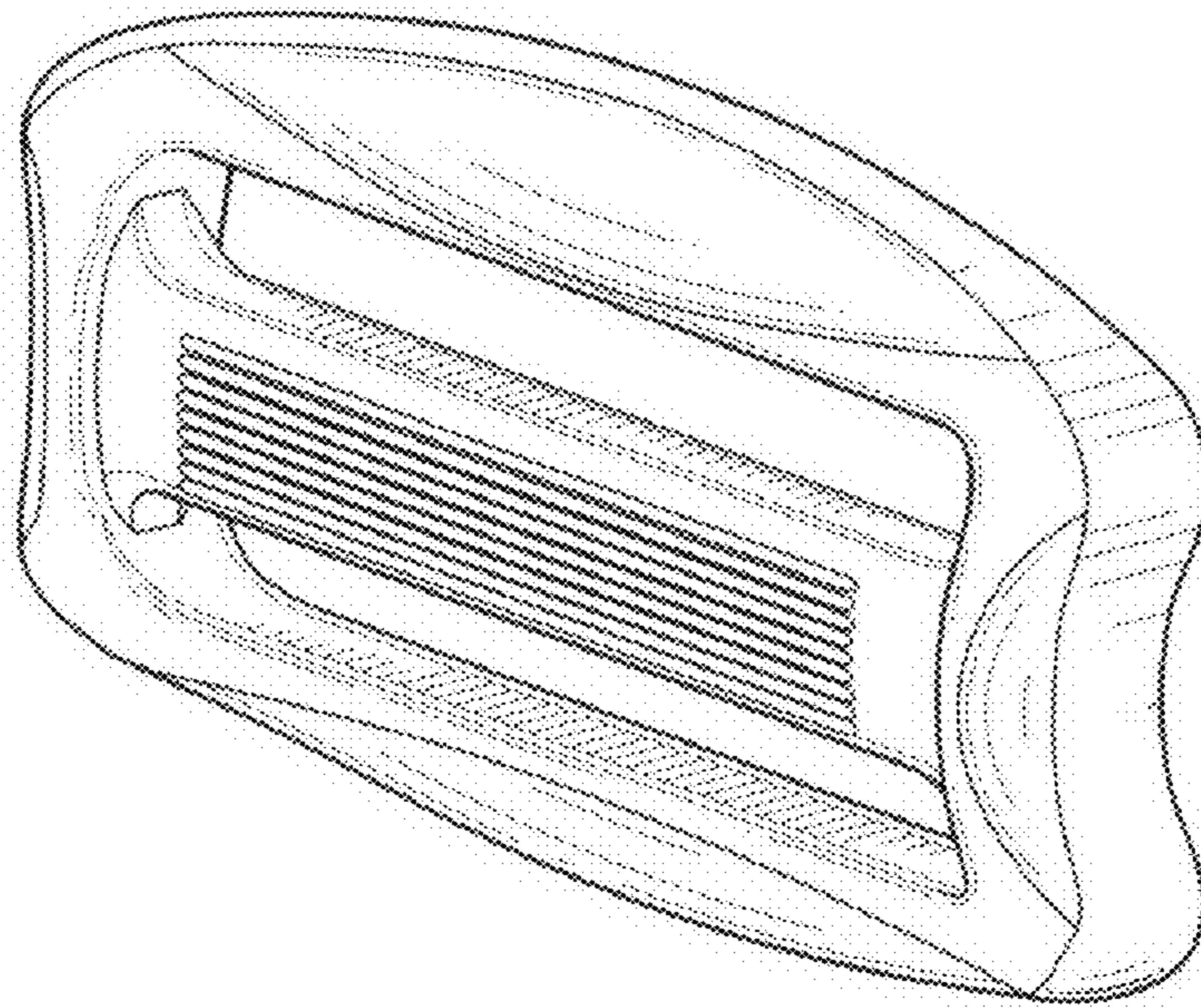


FIG. 1

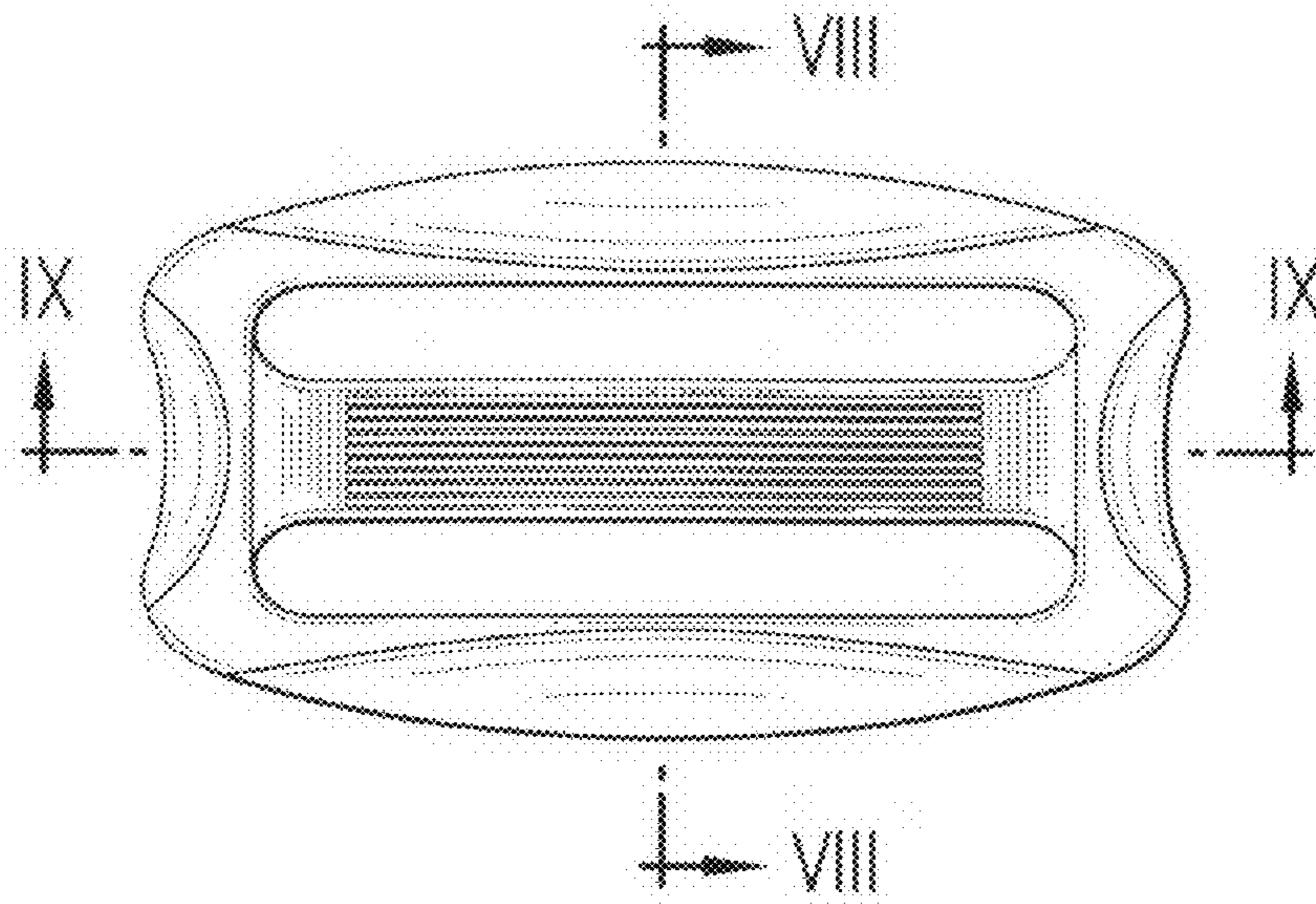


FIG. 2

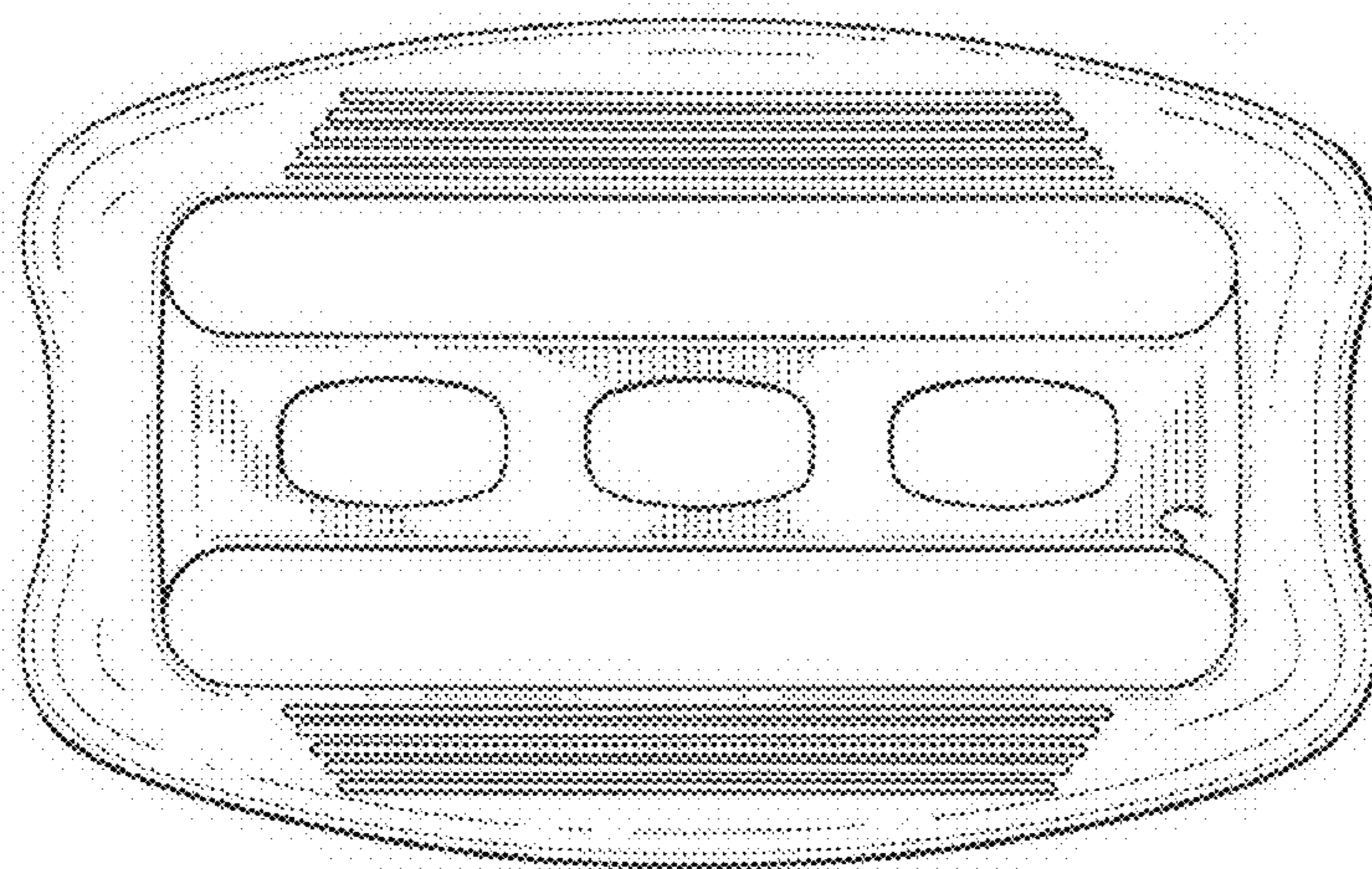


FIG. 3



FIG. 4

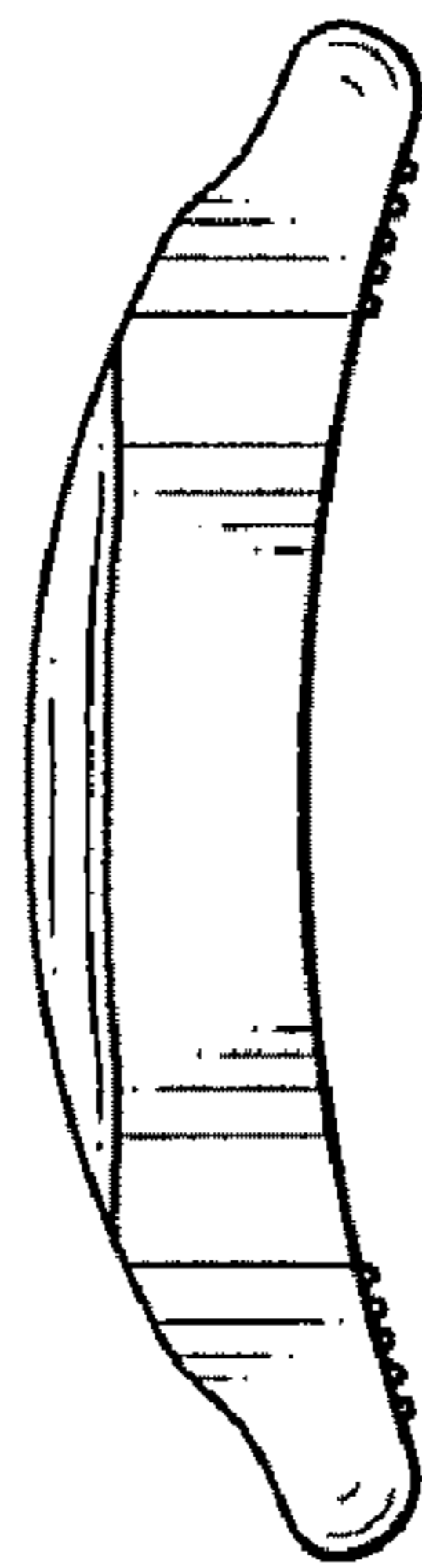


FIG. 5

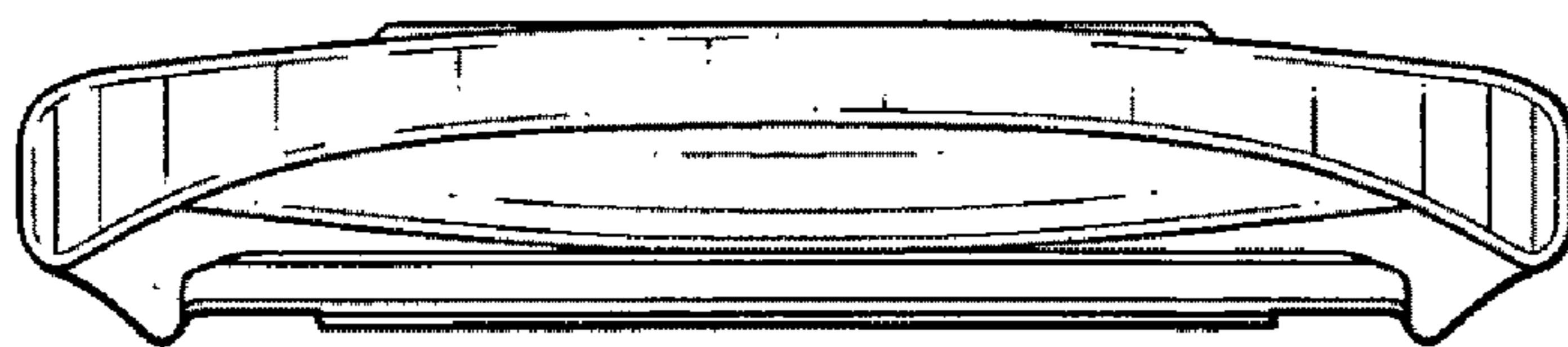


FIG. 6

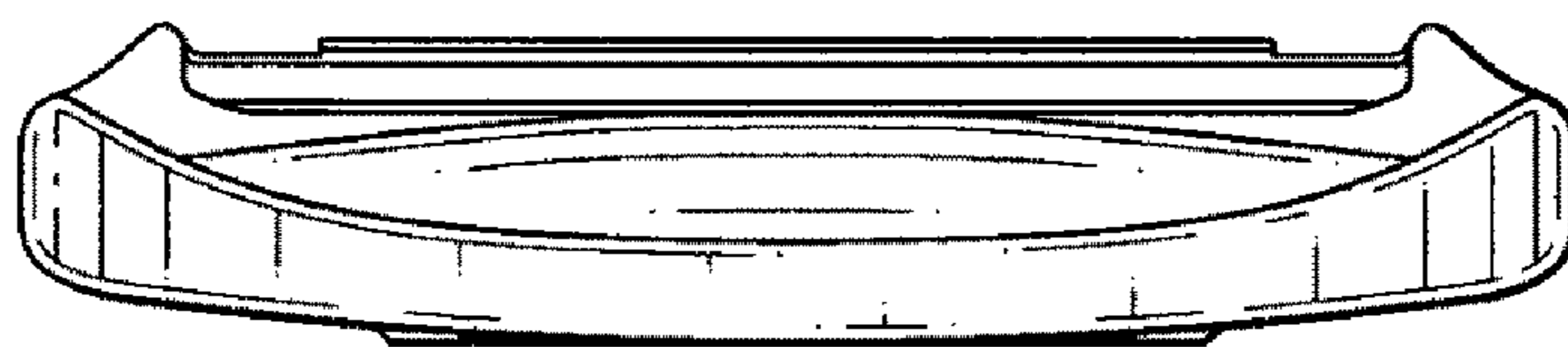


FIG. 7

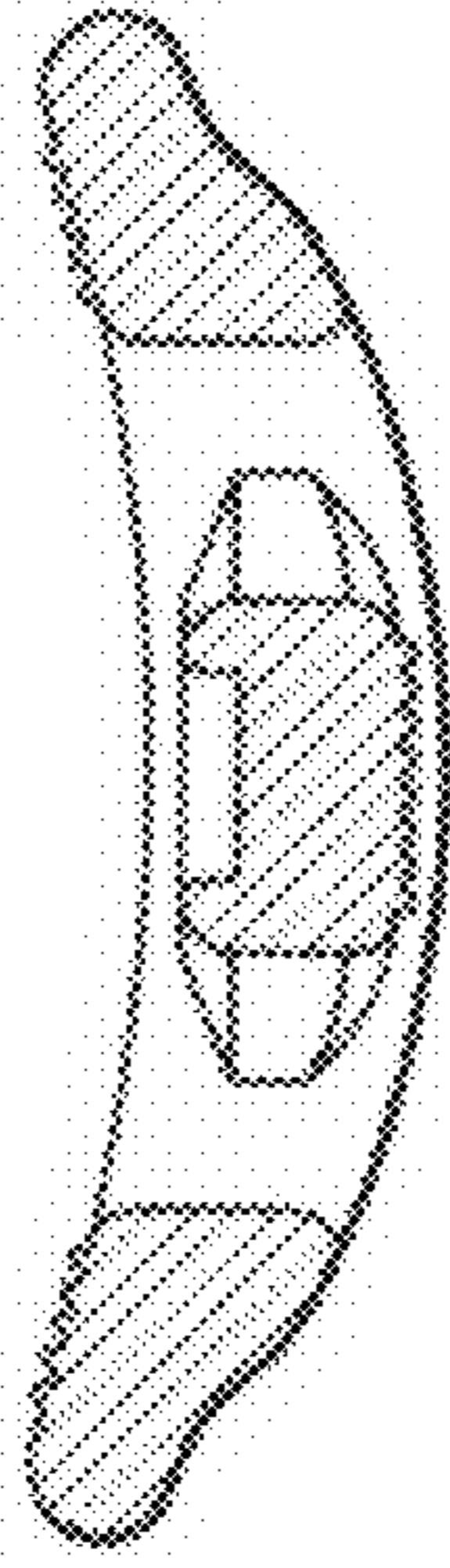


FIG. 8

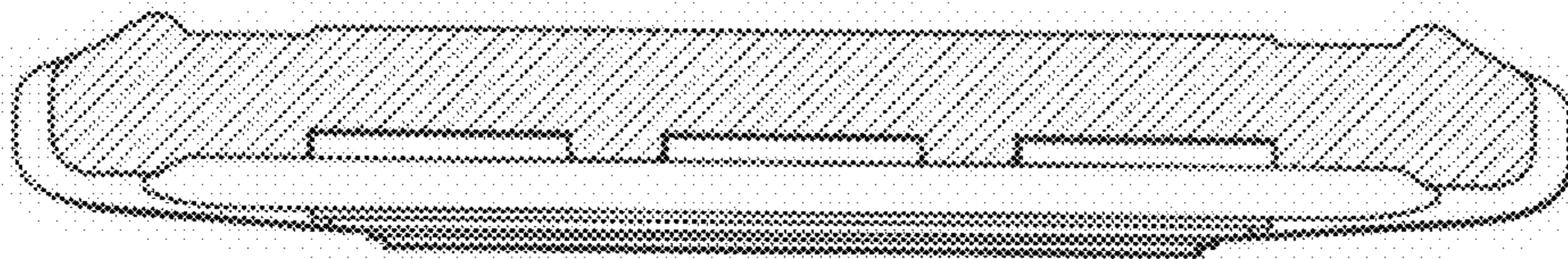


FIG. 9