



US00D611709S

(12) **United States Design Patent**
Ceravolo

(10) **Patent No.:** **US D611,709 S**
(45) **Date of Patent:** **** Mar. 16, 2010**

(54) **SHOPPING BASKET**

(75) Inventor: **Antony Joseph Ceravolo**, London (GB)

(73) Assignee: **Redbus Outdoor Holdings Limited**,
London (GB)

(**) Term: **14 Years**

(21) Appl. No.: **29/298,194**

(22) Filed: **Nov. 30, 2007**

(30) **Foreign Application Priority Data**

May 31, 2007 (EM) 000734751/0001-0007

(51) **LOC (9) Cl.** **03-01**

(52) **U.S. Cl.** **D3/304**

(58) **Field of Classification Search** D3/304-315;
D6/511; D9/424-425; D32/37; 220/485,
220/675-676, 760, 762, 764, 768-769, 773;
206/503-507

See application file for complete search history.

(56) **References Cited**

U.S. PATENT DOCUMENTS

D276,281 S *	11/1984	Landgren	D3/309
D290,179 S *	6/1987	Peltola	D3/309
D305,373 S *	1/1990	Yamamoto et al.	D32/22
D326,552 S *	5/1992	Goodell	D3/312
5,469,986 A *	11/1995	Jang	220/762

(Continued)

Primary Examiner—T. Chase Nelson

Assistant Examiner—Kathleen M Sims

(74) *Attorney, Agent, or Firm*—Z. Peter Sawicki; Westman,
Champlin & Kelly, P.A.

(57) **CLAIM**

The ornamental design for a shopping basket, as shown and described.

DESCRIPTION

FIG. 1 is a perspective view of the present invention;

FIG. 2 is a perspective view of a basket portion of the present invention;

FIG. 3 is a left and right view thereof;

FIG. 4 is a front and back side view thereof;

FIG. 5 is a top plan view thereof;

FIG. 6 is a bottom plan view thereof;

FIG. 7 is a perspective view of a handle portion of the present invention;

FIG. 8 is a top plan view thereof;

FIG. 9 is a front and back view thereof;

FIG. 10 is a left and right side view thereof;

FIG. 11 is a bottom plan view thereof;

FIG. 12 is an enlarged bottom perspective view of a connection between the handle portion and the basket portion with the handle portion in an upright position;

FIG. 13 is an enlarged top perspective view of the connection between the handle portion and the basket portion with the handle portion in an upright position;

FIG. 14 is an enlarged bottom perspective view of the connection between the handle portion and the basket portion with the handle in a horizontal position;

FIG. 15 is an enlarged bottom view of the connection between the basket portion and the handle portion with the handle in a horizontal position.

FIG. 16 is an enlarged top perspective view of a section of the basket portion into which the handle portion is inserted;

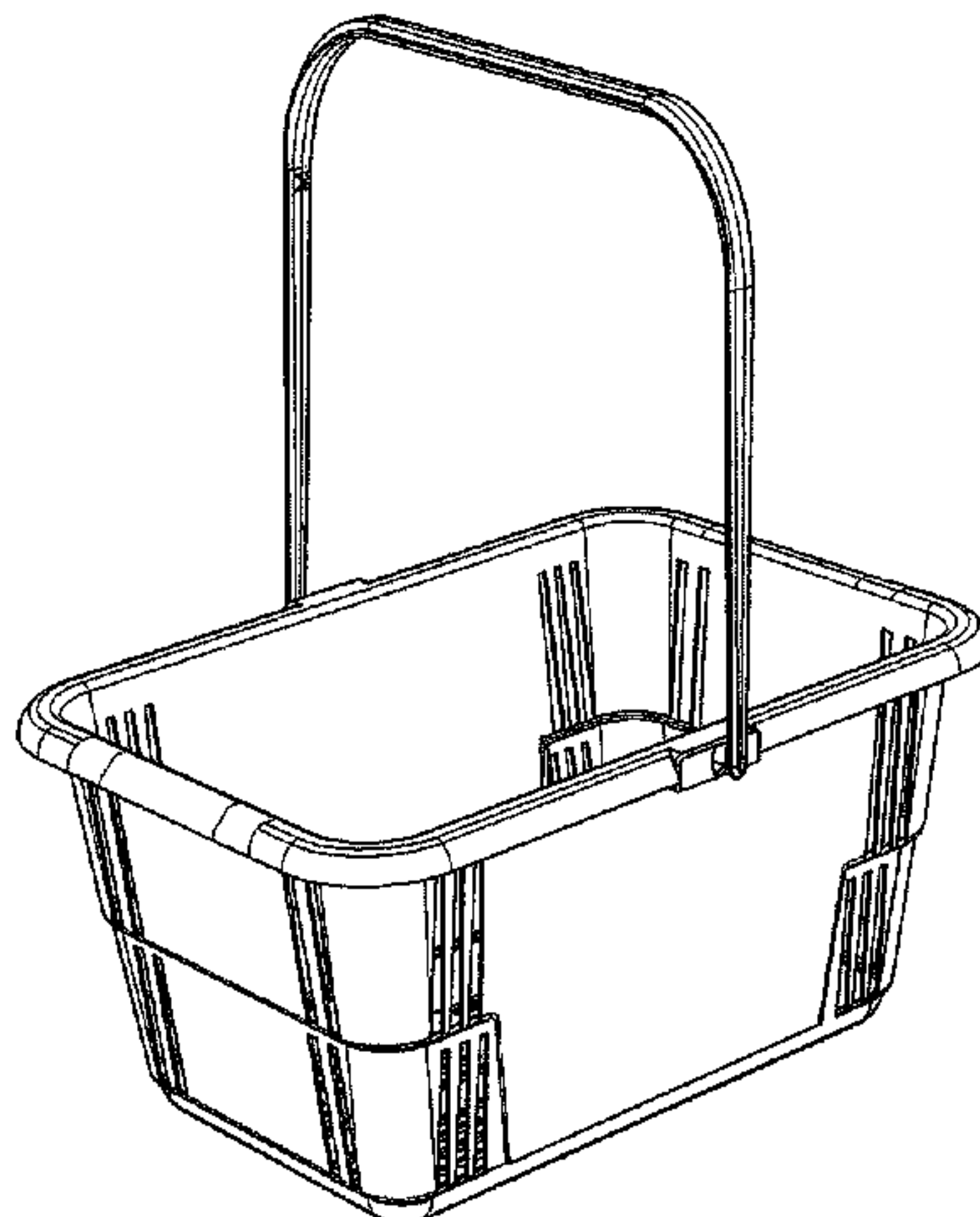
FIG. 17 is an enlarged bottom perspective view of a section of the basket portion into which the handle portion is inserted;

FIG. 18 is an enlarged top plan view of the section of the basket portion into which the handle portion is inserted; and,

FIG. 19 is an enlarged bottom plan view of the connection portion of the basket portion which the handle portion is inserted.

The broken line showing of bottom details in FIGS. 5 and 6 is included for the purpose of showing environmental portions of the shopping basket and forms no part of the claimed design.

1 Claim, 8 Drawing Sheets



US D611,709 S

Page 2

U.S. PATENT DOCUMENTS

D382,999 S *	9/1997	Rehrig	D3/314	D474,603 S *	5/2003	Berenguer	D3/307
D459,077 S *	6/2002	Krivulin	D3/307	D497,253 S *	10/2004	Alves	D3/309
D471,713 S *	3/2003	Speed	D3/307	D564,758 S *	3/2008	Drury	D3/304

* cited by examiner

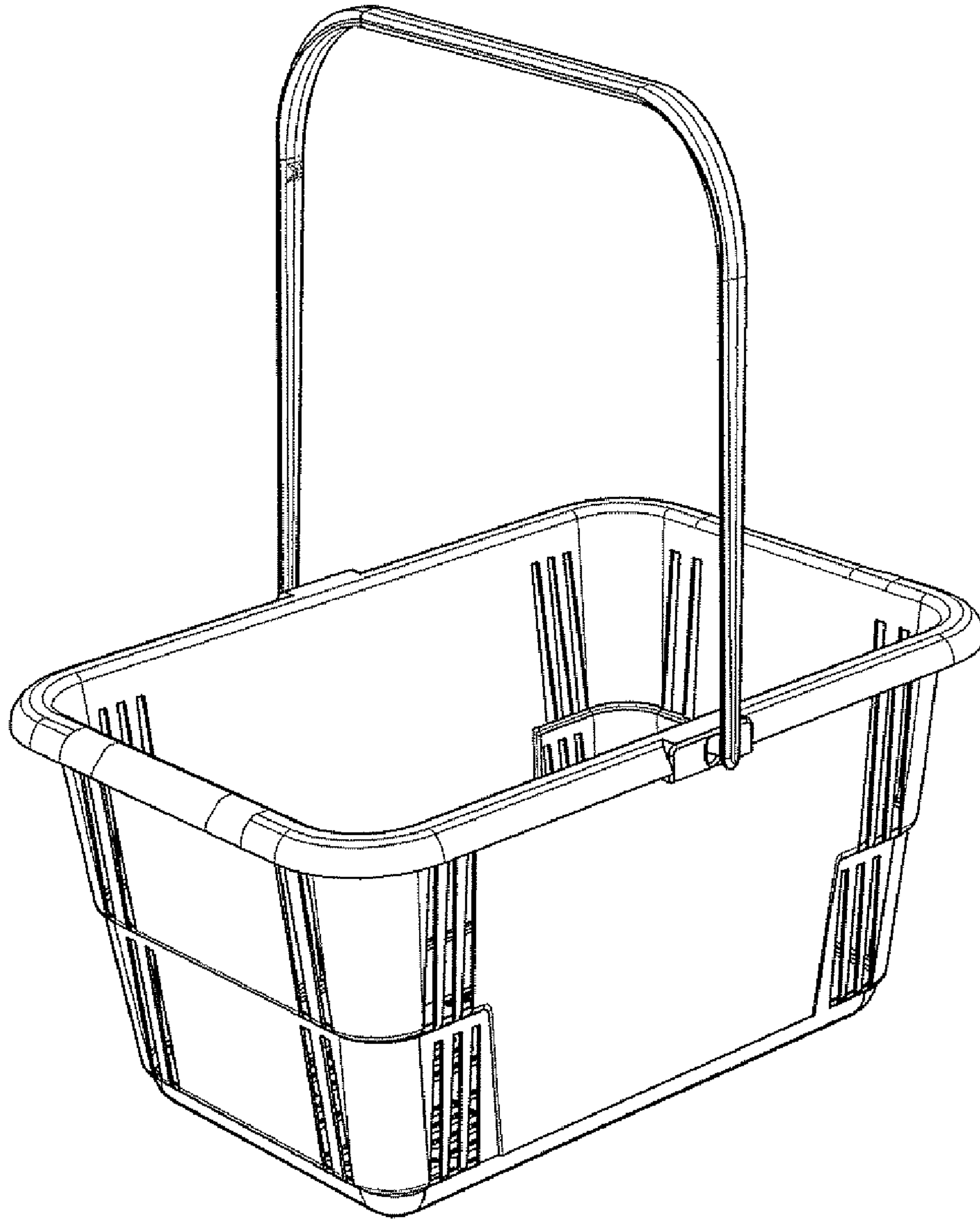


FIG. 1

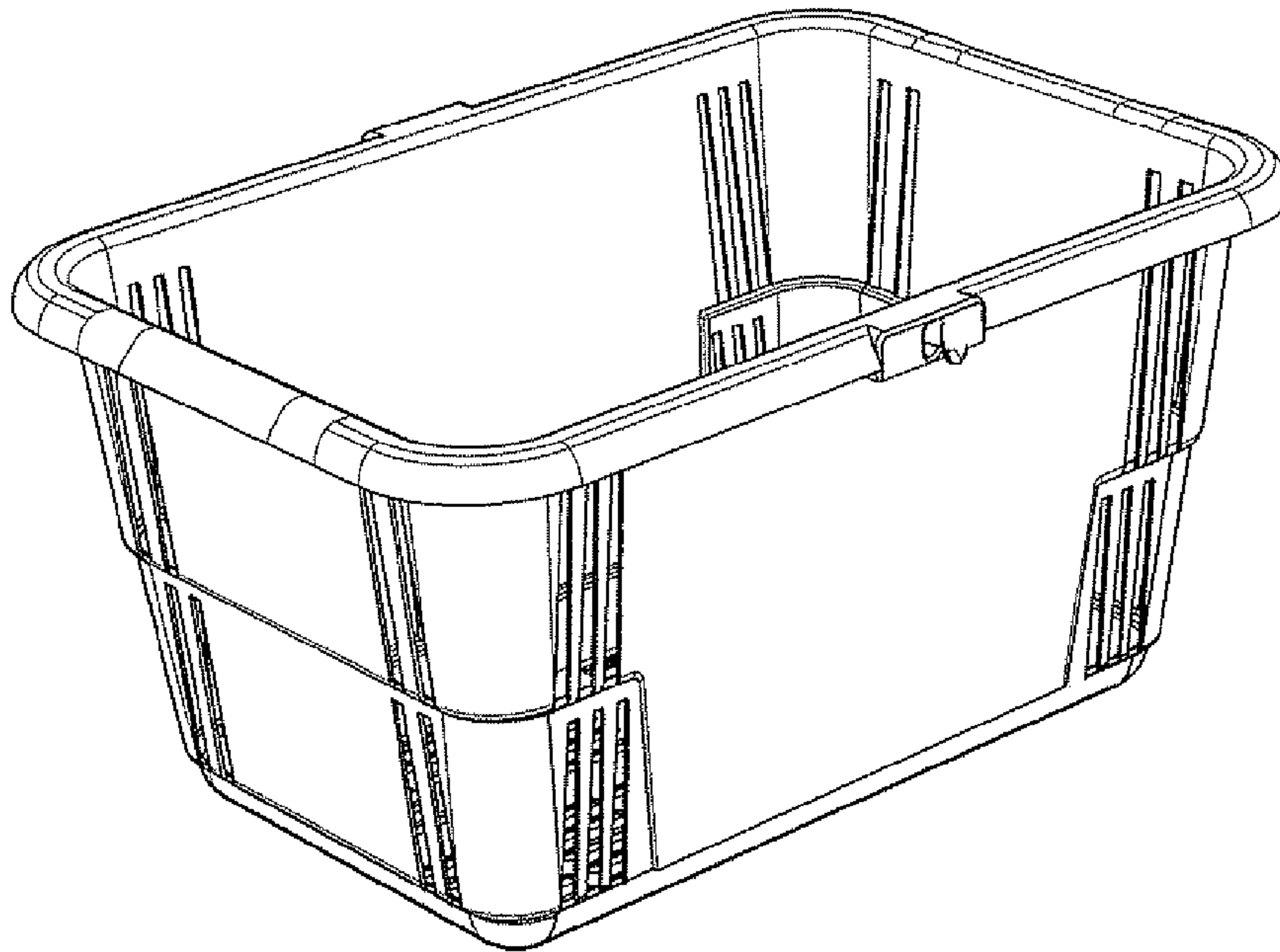


FIG. 2

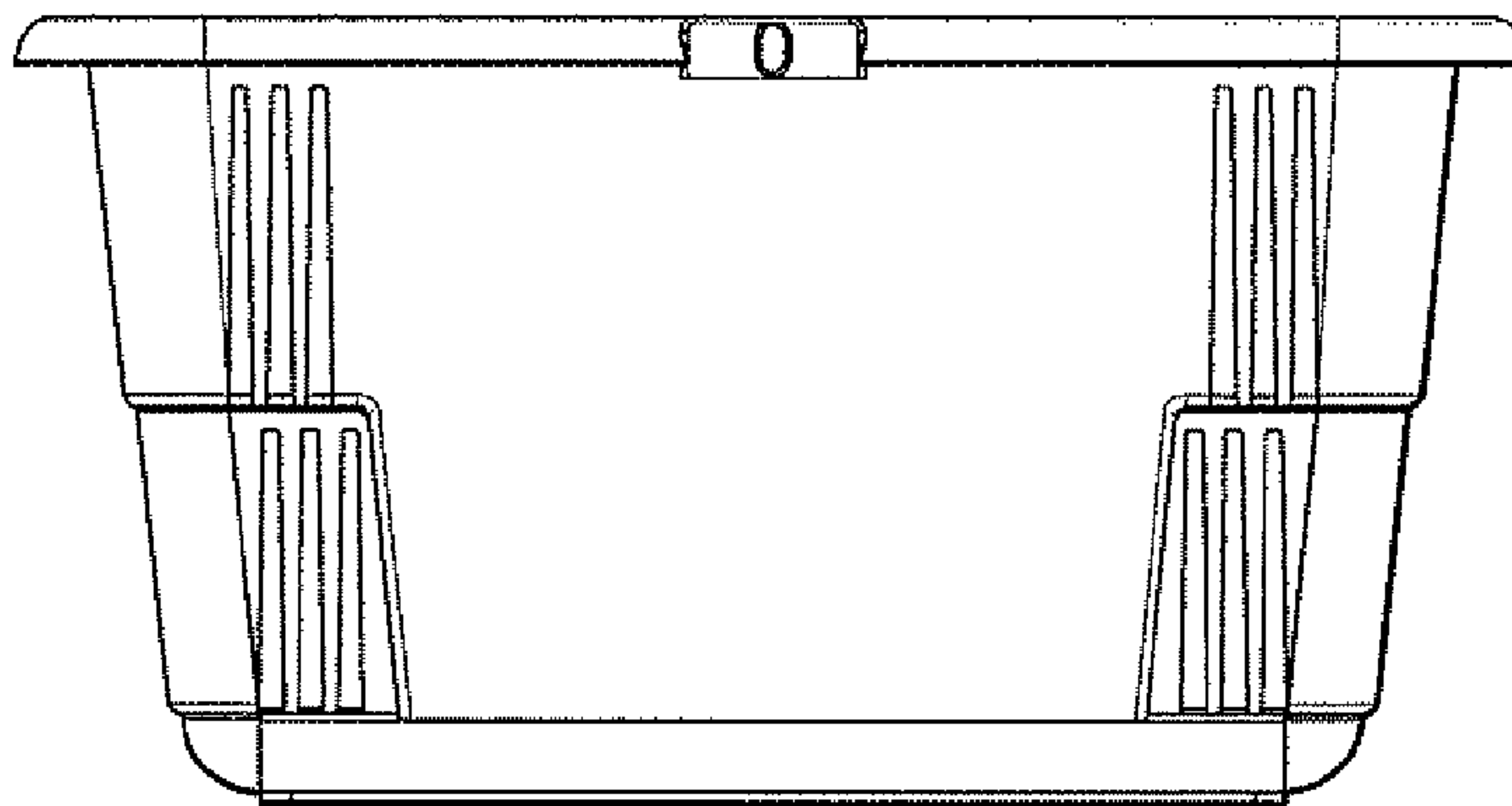


FIG. 3

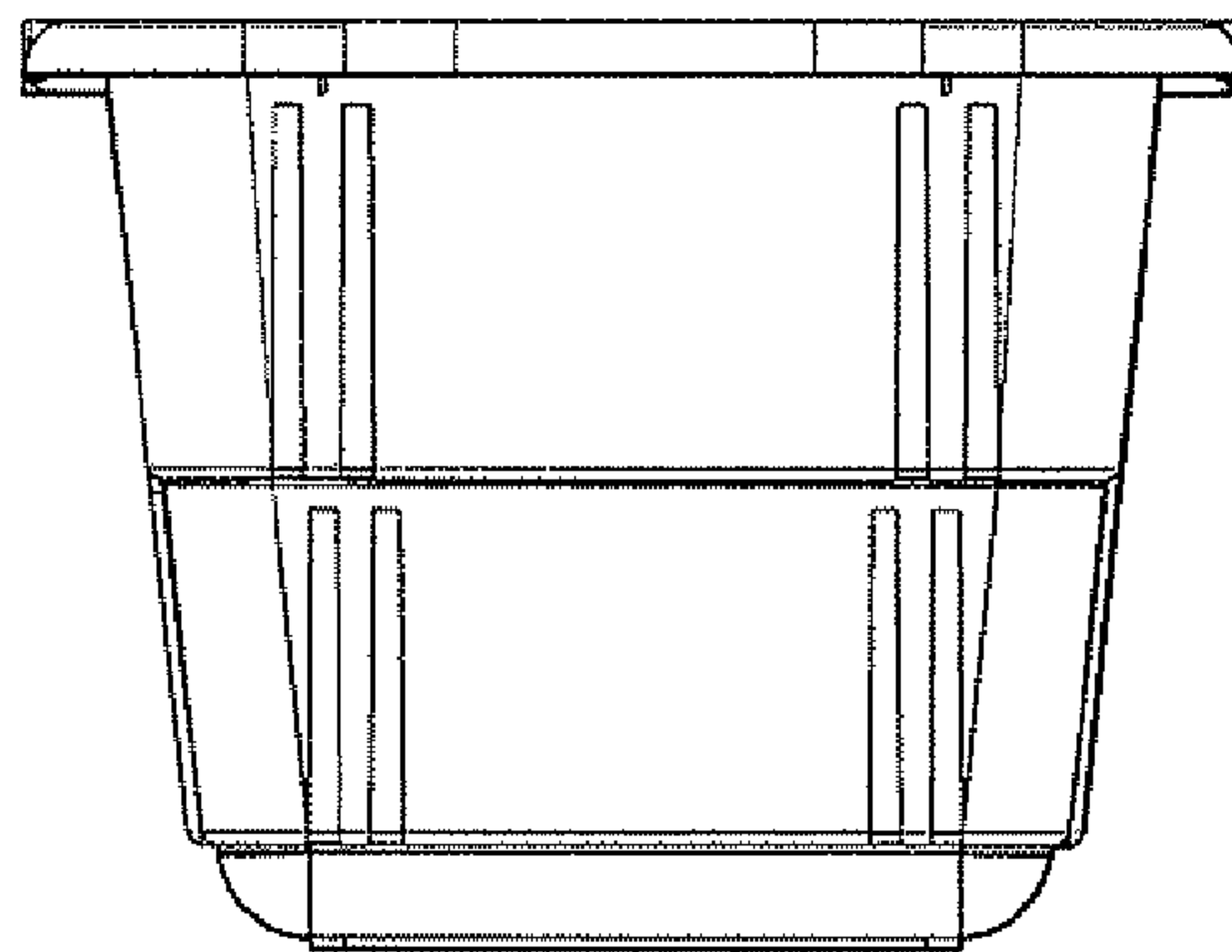


FIG. 4

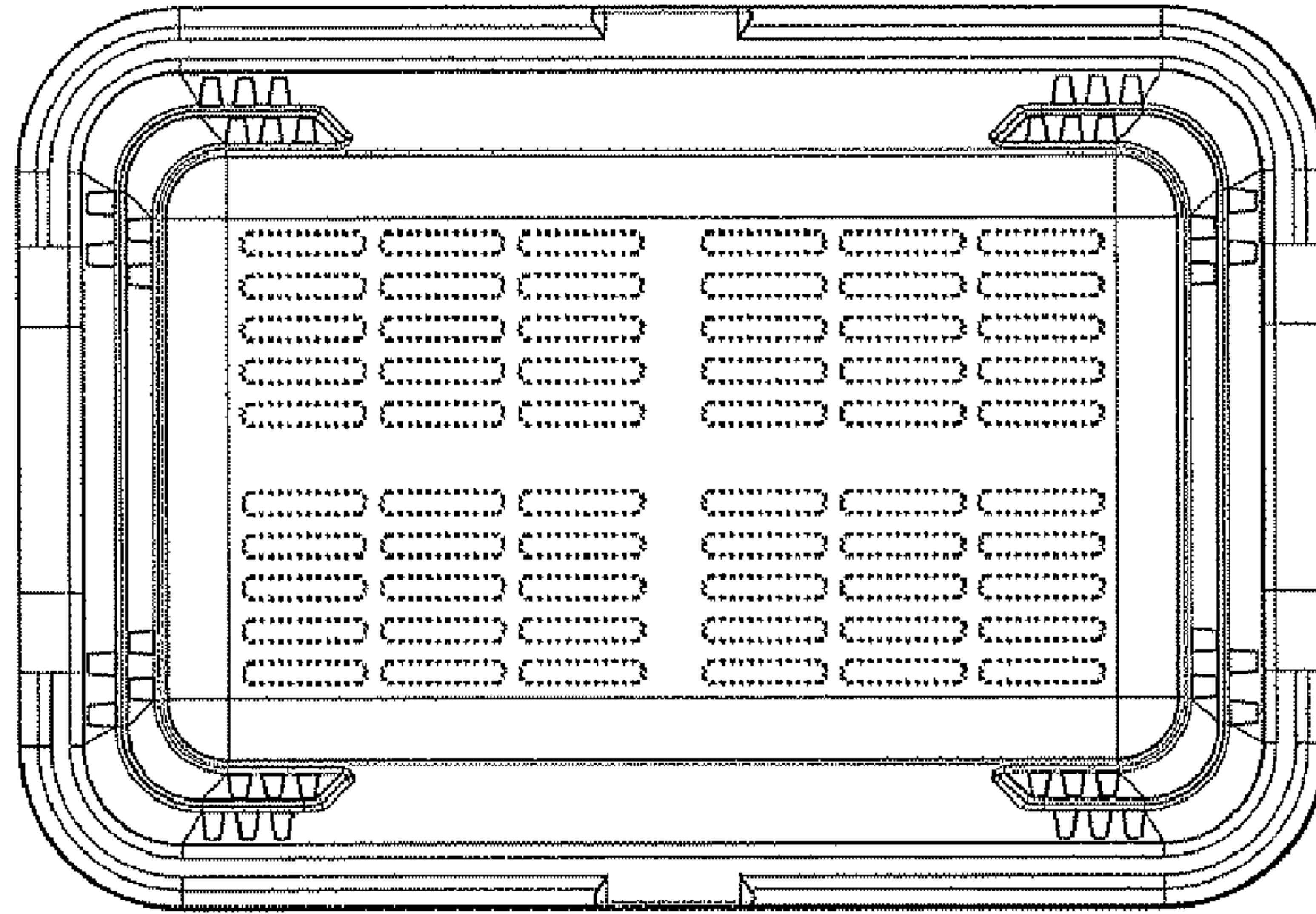


FIG. 5

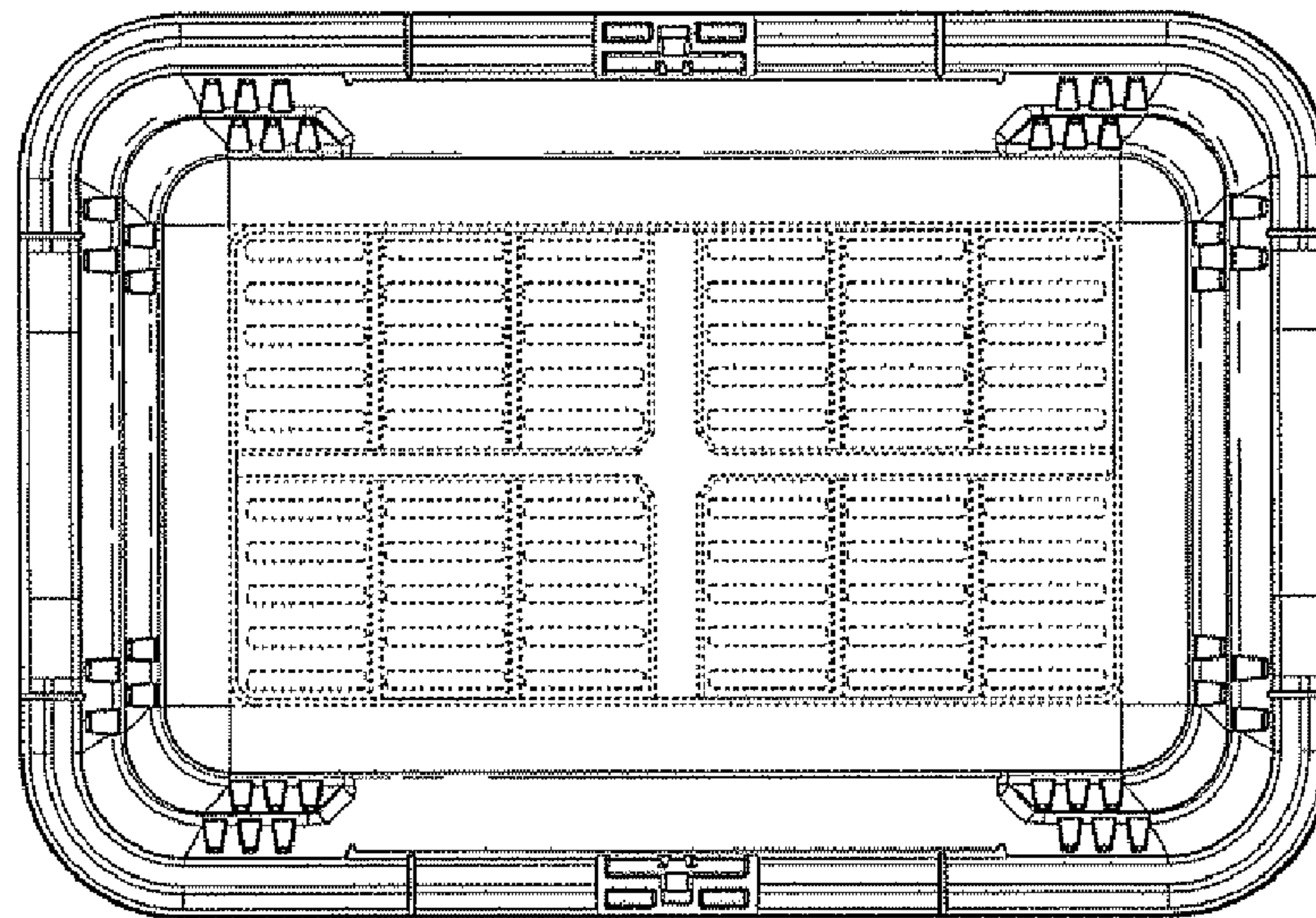


FIG. 6

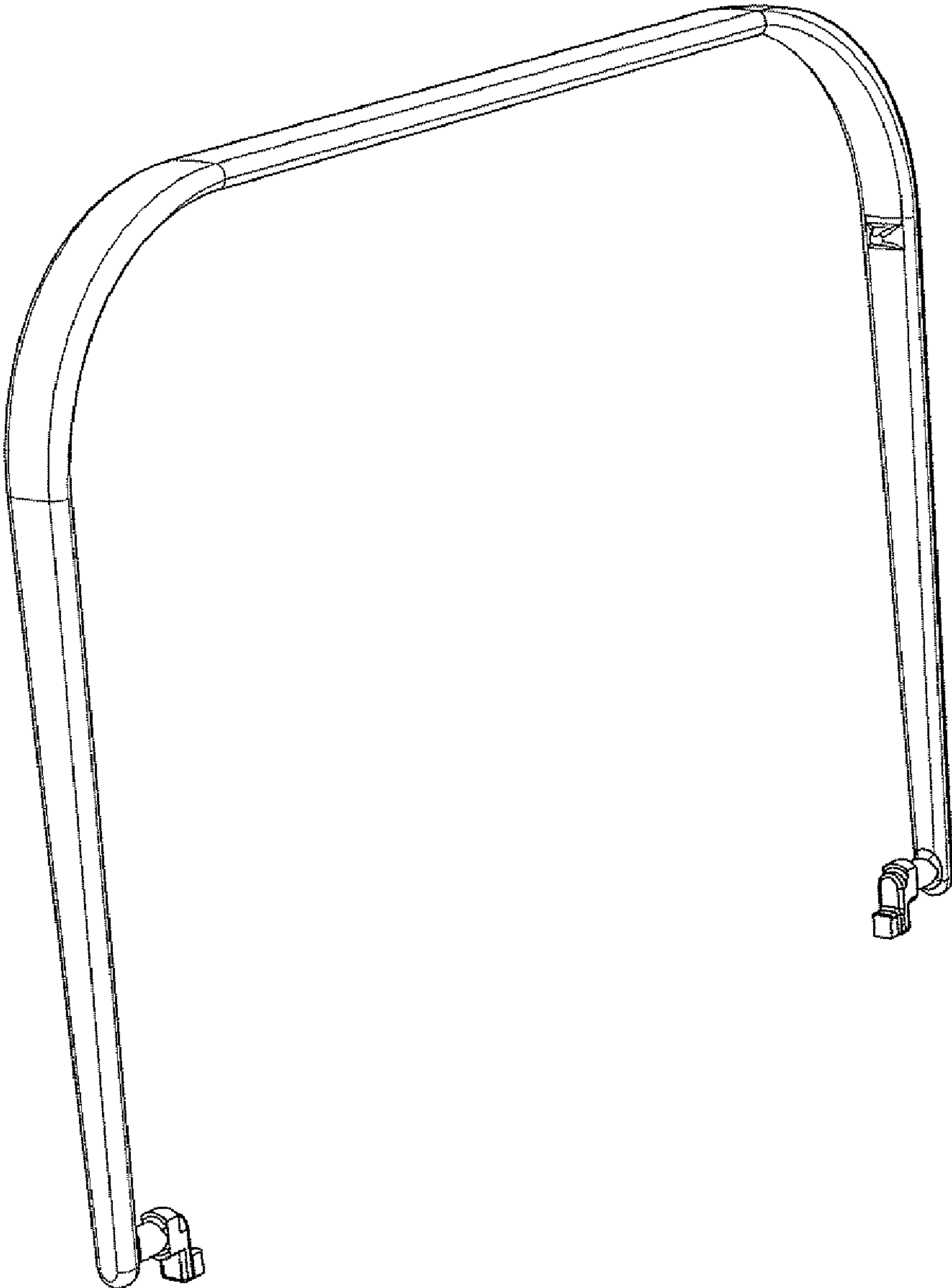


FIG. 7



FIG. 8

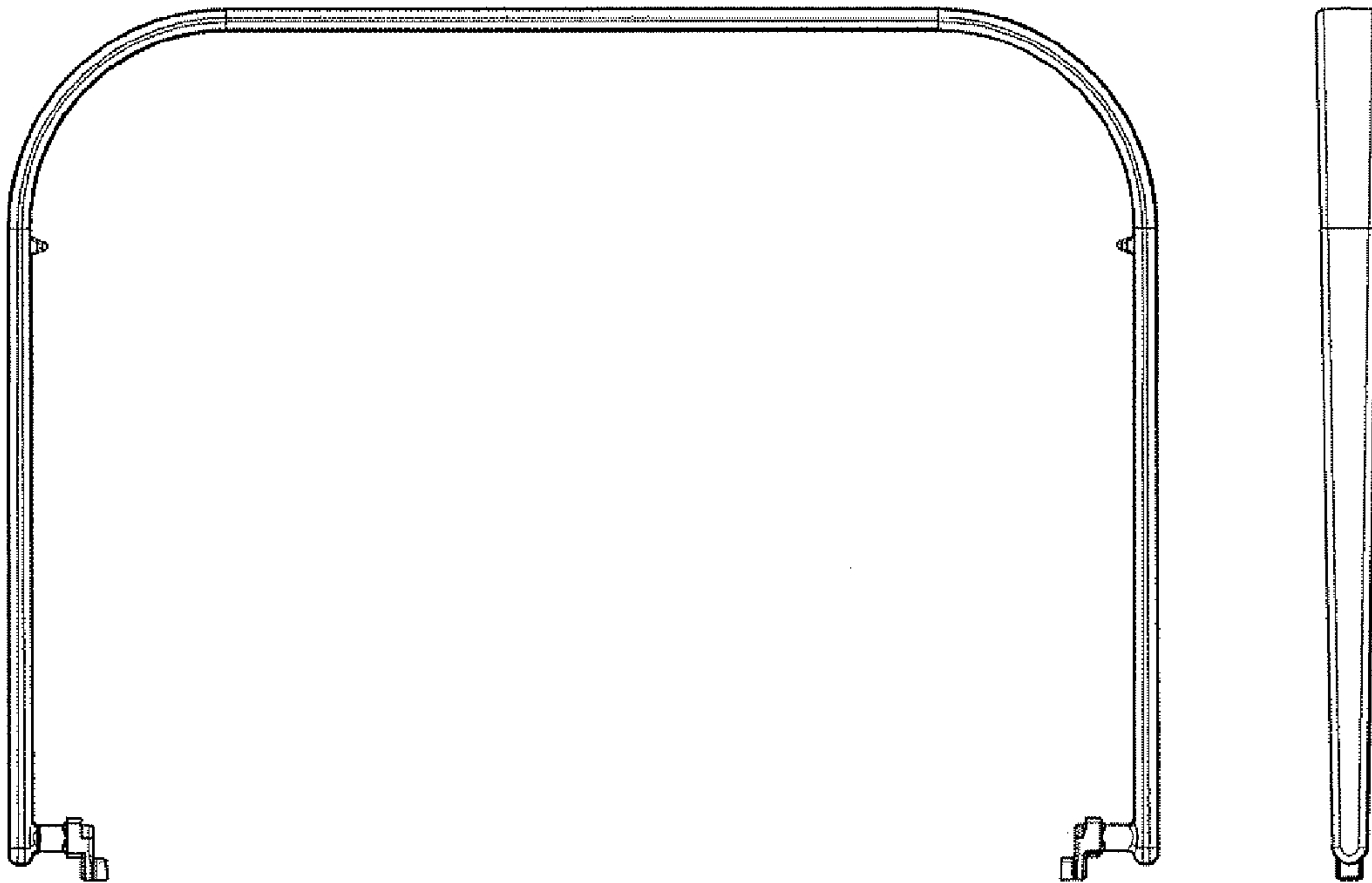


FIG. 9

FIG. 10

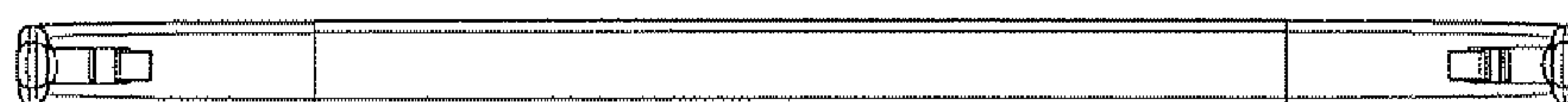


FIG. 11

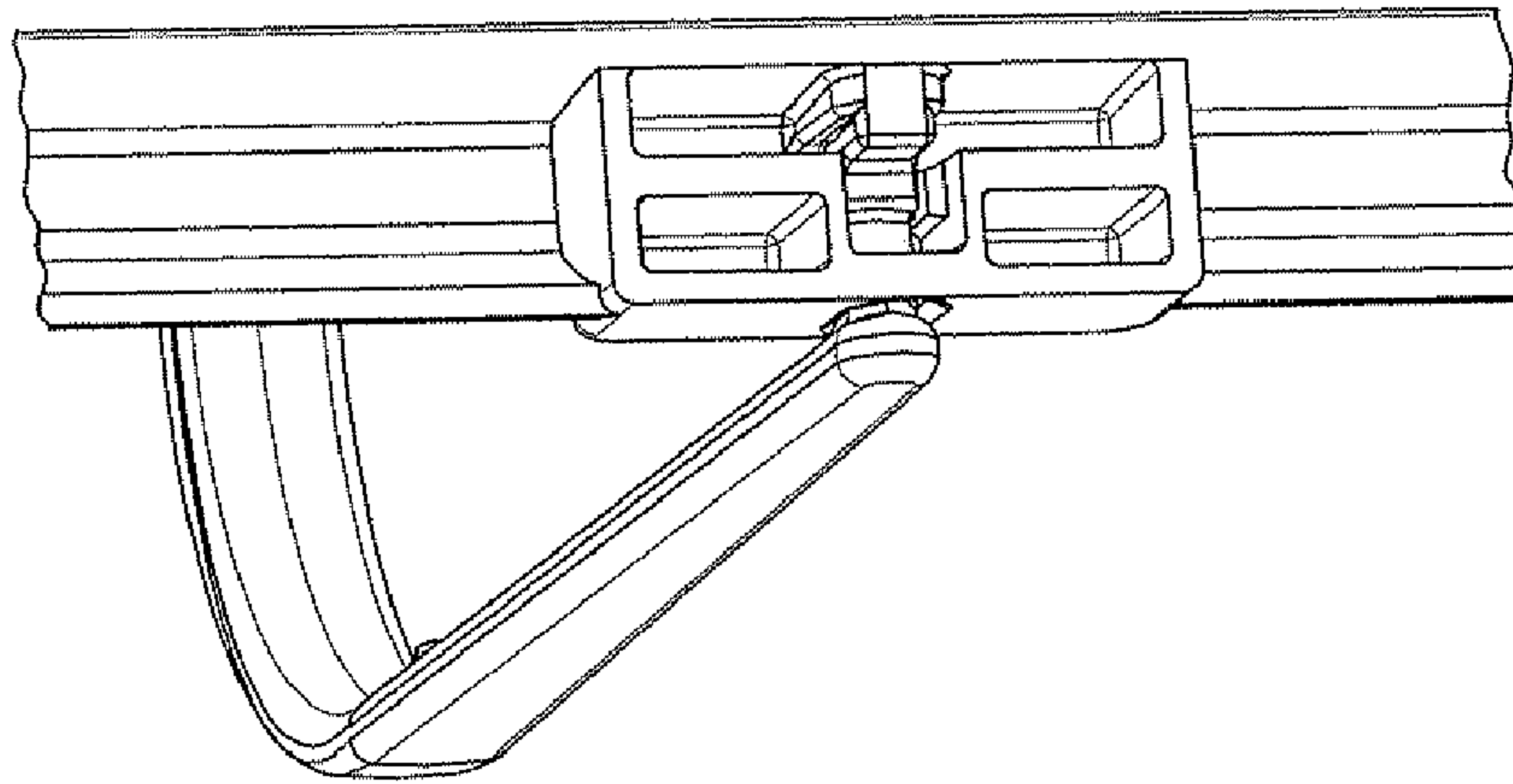


FIG. 12

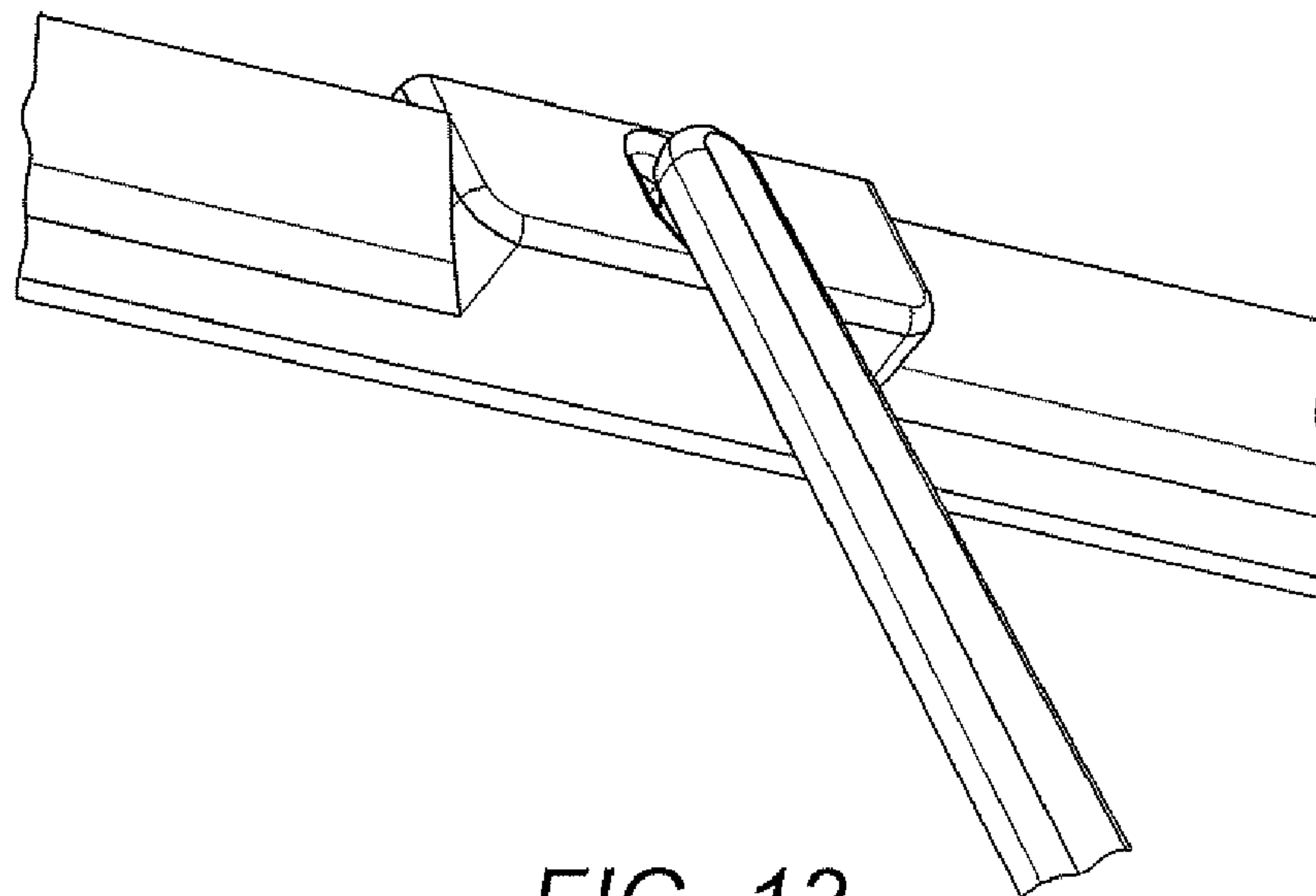
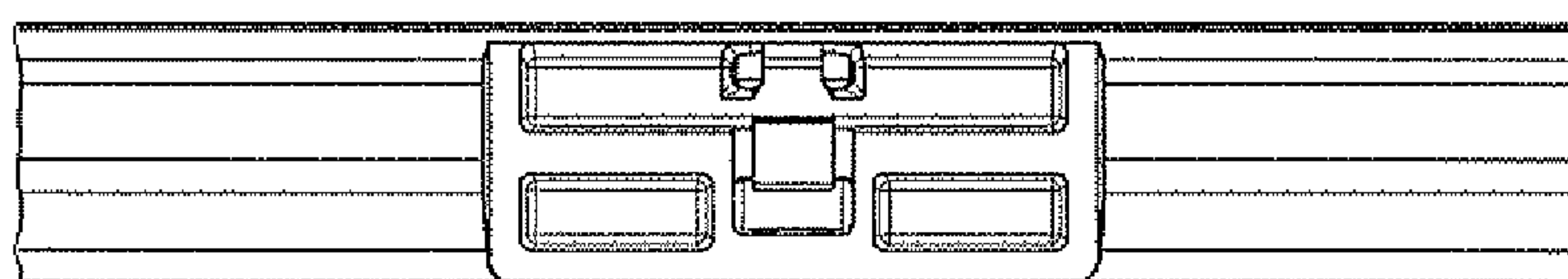
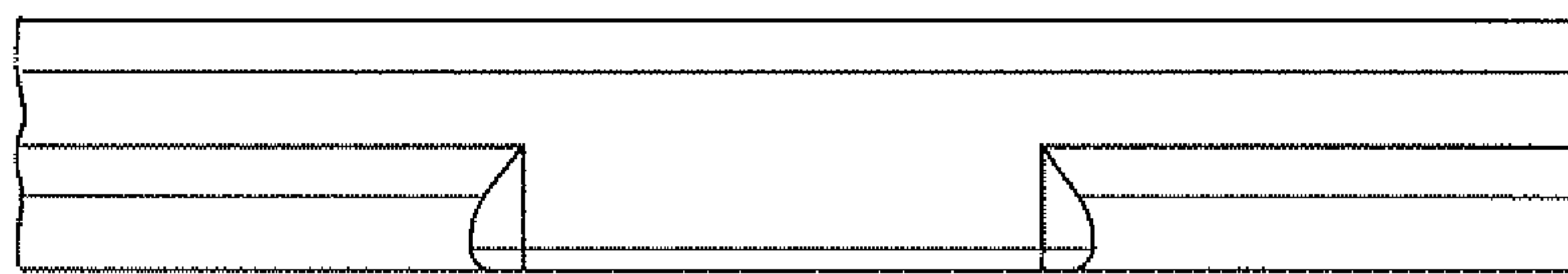
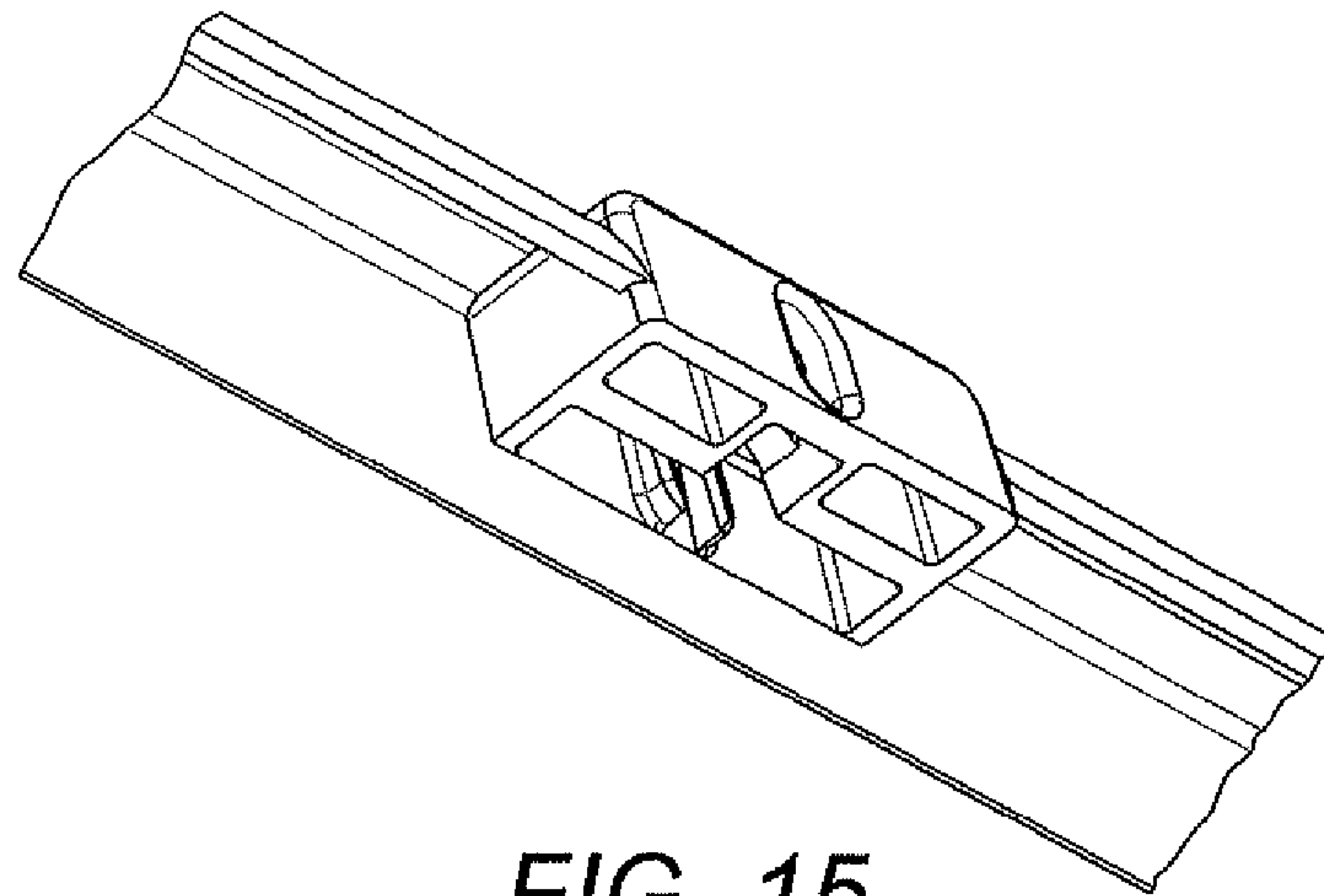
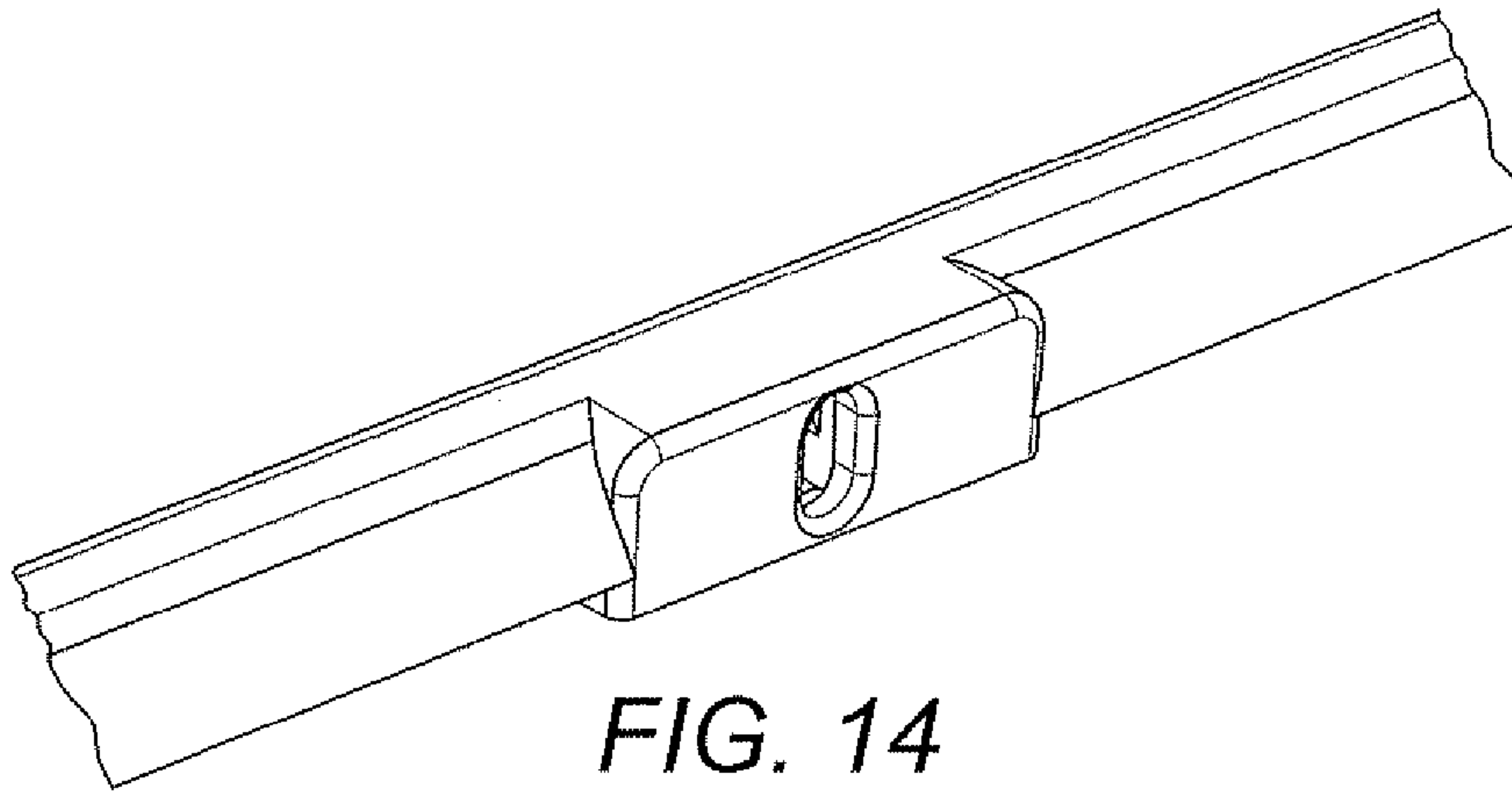


FIG. 13



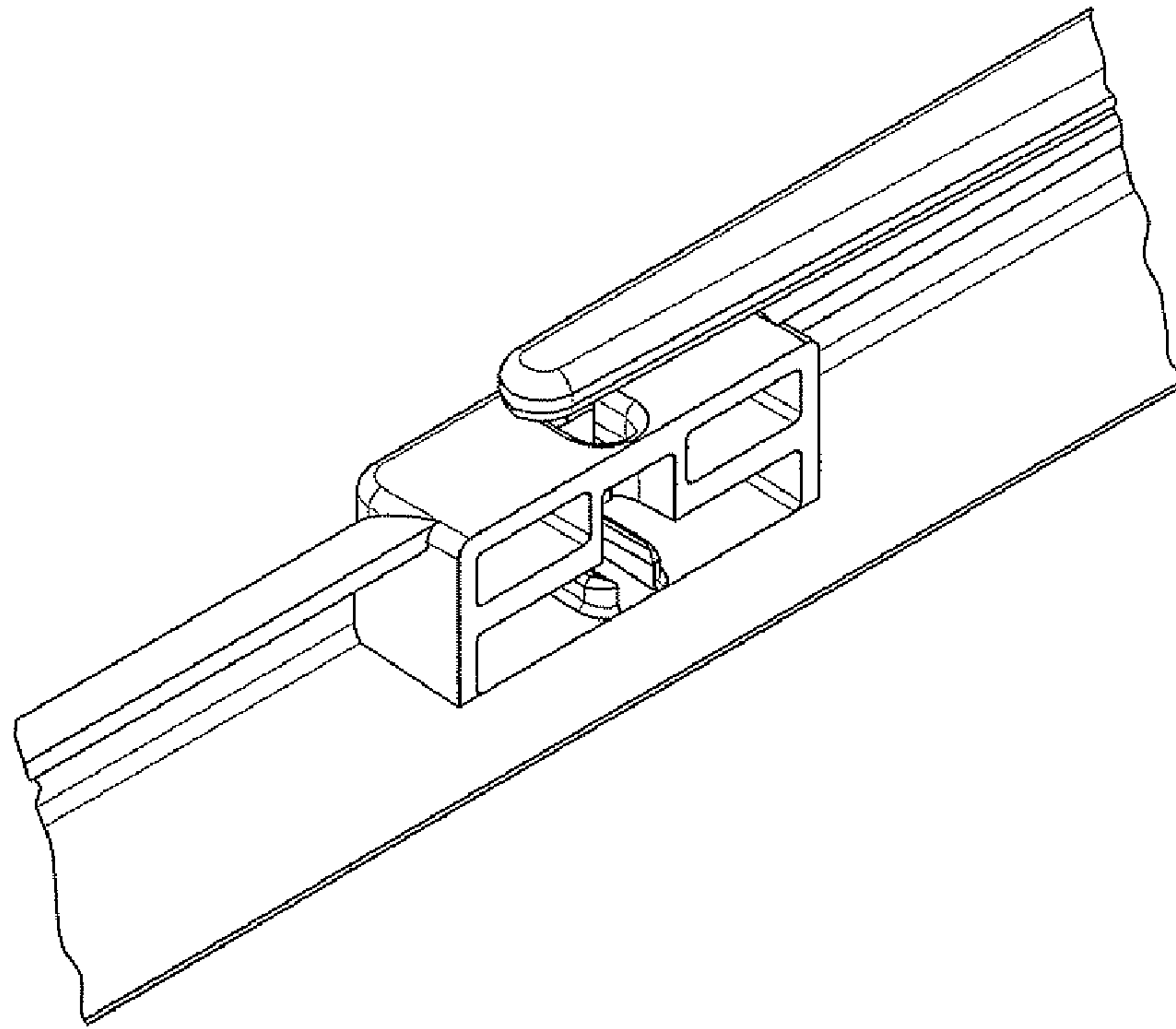


FIG. 18

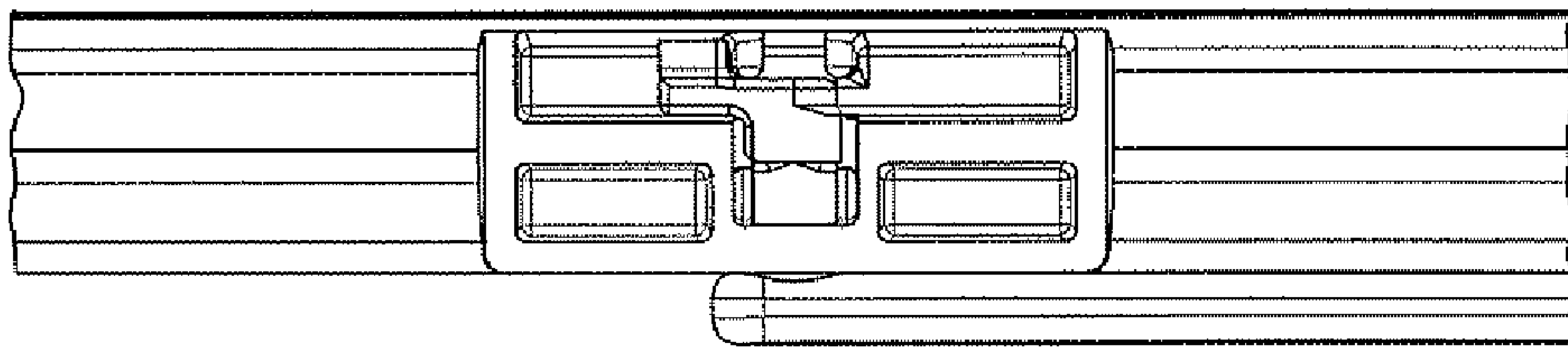


FIG. 19