



US00D611705S

(12) **United States Design Patent**
Romero et al.

(10) **Patent No.:** **US D611,705 S**
(45) **Date of Patent:** **** Mar. 16, 2010**

(54) **HANDBAG**

(75) Inventors: **Michelle Romero**, West Valley City, UT (US); **Annette B. Cavaness**, Provo, UT (US); **Christian J. Seegmiller**, Riverton, UT (US)

(73) Assignee: **Miche Bag, LLC**, South Jordan, UT (US)

(**) Term: **14 Years**

(21) Appl. No.: **29/350,549**

(22) Filed: **Nov. 18, 2009**

Related U.S. Application Data

(60) Division of application No. 29/320,888, filed on Jul. 7, 2008, which is a continuation of application No. 11/945,174, filed on Nov. 26, 2007.

(51) **LOC (9) Cl.** **03-01**

(52) **U.S. Cl.** **D3/232**

(58) **Field of Classification Search** D3/232–233,
D3/240–246; 150/10, 103–104, 106–110,
150/113–114, 118–119

See application file for complete search history.

(56) **References Cited**

U.S. PATENT DOCUMENTS

1,960,396 A 5/1934 Rosenberg
1,978,971 A 10/1934 Thornhill et al.
2,023,144 A 5/1935 Miller
2,118,400 A 5/1938 Goldberg

(Continued)

FOREIGN PATENT DOCUMENTS

GB 2350285 A 11/2000

(Continued)

OTHER PUBLICATIONS

“The Smart Handbag”, the Bernina Connection, LLC Online Catalog with secure transactions, [http:// berninaconnection.com/cgi-bin/Store/store.cgi?product=patterns_main&productid=0](http://berninaconnection.com/cgi-bin/Store/store.cgi?product=patterns_main&productid=0) (accessed Mar. 21, 2007).

(Continued)

Primary Examiner—Holly H Baynham

(74) *Attorney, Agent, or Firm*—Workman Nydegger

(57) **CLAIM**

The ornamental design for a handbag, as shown and described.

DESCRIPTION

FIG. 1 is a top perspective view of the claimed base handbag with an exemplary interchangeable handbag cover shown in phantom in a closed, attached conformation about the base handbag;

FIG. 2 is a top perspective view thereof, with the exemplary interchangeable handbag cover shown in phantom in a partially opened, detached conformation about the base handbag;

FIG. 3 is an elevated front view of the base handbag shown in FIG. 1, with the opposing back view being a mirror image thereof;

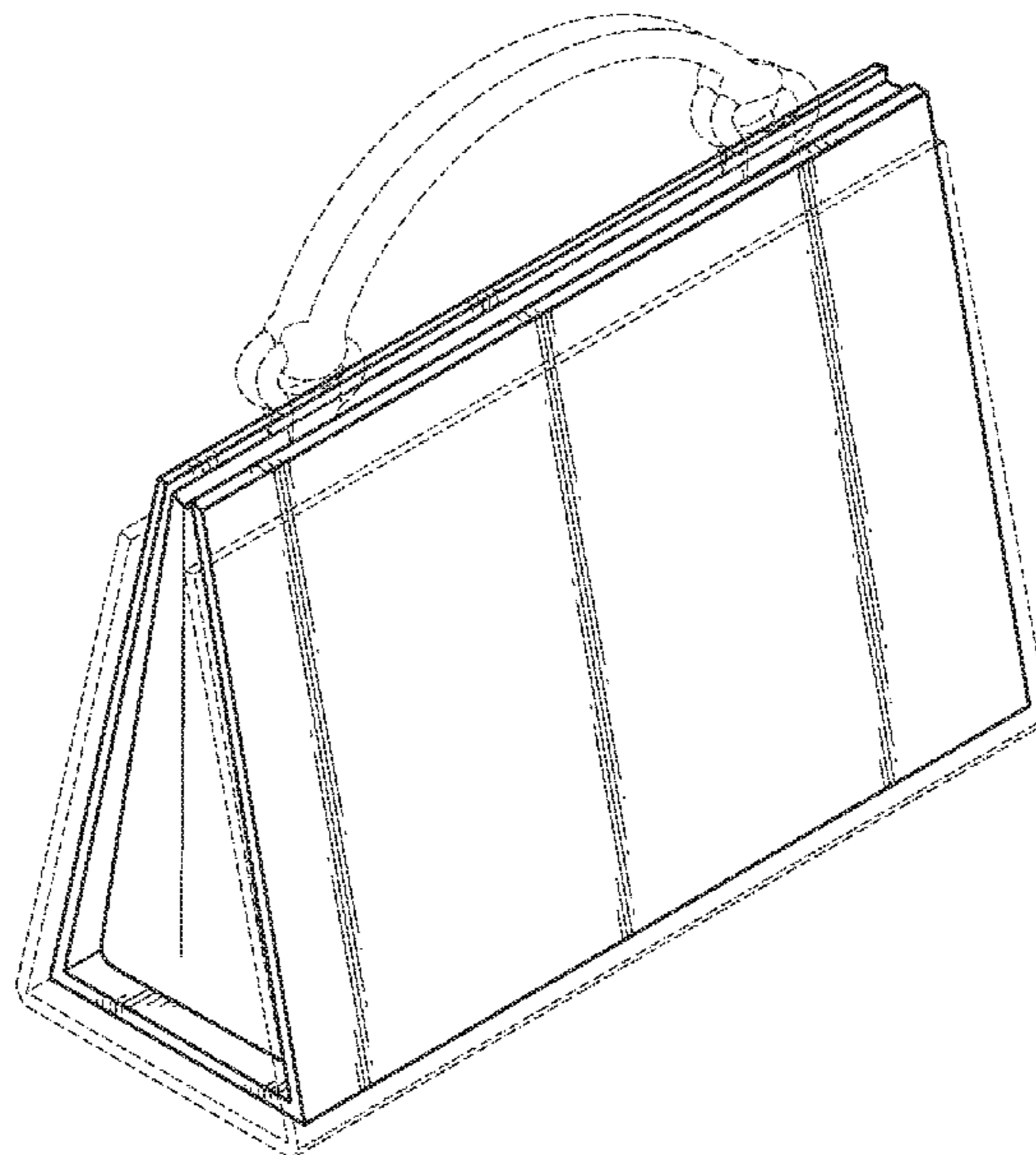
FIG. 4 is a top, plan view thereof;

FIG. 5 is an elevated, left side view thereof, with the opposing right side being a mirror image thereof; and,

FIG. 6 is bottom view thereof.

The broken lines showing the interchangeable handbag cover is for illustrative purposes and forms no part of the claimed design.

1 Claim, 3 Drawing Sheets



US D611,705 S

Page 2

U.S. PATENT DOCUMENTS

D129,151 S 8/1941 Lewis
D131,188 S 1/1942 Lewis
2,369,482 A 2/1945 Morris
2,437,382 A 9/1948 Czap
2,477,388 A 7/1949 Moore
D155,608 S 10/1949 Hilf
2,656,870 A 10/1953 Wishnia
2,779,373 A 1/1957 Koepke
2,809,685 A 10/1957 Lowy
2,893,457 A 7/1959 Wilson
3,182,701 A 5/1965 Ginsburg
3,556,187 A 1/1971 Speakes
3,575,226 A 4/1971 Chapman
4,088,167 A 5/1978 Schwartz
4,112,991 A 9/1978 Barbaresi
4,260,004 A 4/1981 Domke
4,754,790 A 7/1988 Meyers
4,907,633 A 3/1990 Eckstein
5,178,198 A 1/1993 Fitzgerald
5,207,254 A 5/1993 Fromm
5,533,558 A 7/1996 Carey
5,725,039 A 3/1998 Marcinai et al.
5,894,975 A 4/1999 Holden et al.
5,983,969 A 11/1999 Morgan
6,003,573 A 12/1999 Owens
6,029,723 A 2/2000 Baquero
6,129,126 A 10/2000 Restivo
6,173,837 B1 1/2001 Marconi
6,179,025 B1 1/2001 Sutton
6,186,201 B1 2/2001 Salz
6,237,660 B1 5/2001 Giardino
D444,943 S 7/2001 Nastasi
6,394,157 B2 5/2002 Luna
6,422,278 B1 7/2002 Grogan
6,446,688 B1 9/2002 Sutton
6,543,499 B2 4/2003 McCreery
D476,809 S 7/2003 Ko
D495,877 S 9/2004 Thorsen
6,807,992 B2 10/2004 Powers
D497,716 S 11/2004 de Baschmakoff
6,820,664 B1 11/2004 Ritch
6,968,880 B2 11/2005 Battaglia et al.

6,971,424 B1 12/2005 Angevine
7,028,730 B2 4/2006 Pace et al.
7,222,649 B1 5/2007 Fox
7,461,676 B2 12/2008 Huie
2001/0015248 A1 8/2001 McCreery
2002/0029831 A1 3/2002 Pendergrass
2002/0066505 A1 6/2002 Grogan
2003/0000612 A1 1/2003 Sutton
2003/0177664 A1 9/2003 Monassebian
2004/0050468 A1 3/2004 Powers
2004/0187988 A1 9/2004 Andrews
2005/0028908 A1 2/2005 Schaus et al.
2005/0173034 A1 8/2005 Antrobus
2005/0274441 A1 12/2005 Pace et al.
2006/0021684 A1 2/2006 DeCoro, III
2006/0174984 A1 8/2006 Burns
2006/0266452 A1 11/2006 Huie
2006/0278311 A1 12/2006 Mittelstaedt
2007/0209742 A1 9/2007 Morgan
2008/0006355 A1 1/2008 Gomez
2008/0185082 A1 8/2008 Mejia et al.
2008/0230158 A1 9/2008 Romero et al.
2009/0065110 A1 3/2009 Cassella
2009/0188592 A1 7/2009 Connacher et al.

FOREIGN PATENT DOCUMENTS

JP 2002051816 2/2002
KR 20-030050218 5/2004
WO WO01/91596 12/2001
WO WO2005008552 A1 1/2005
WO WO2006002005 A2 1/2006
WO WO2006122197 11/2006

OTHER PUBLICATIONS

“Rock Album Cover Tote Bag with interchangeable panel”, Eco-Artware, <http://www.eco-artware.com/catalog/MMM1-album-tote.shtml> (accessed Mar. 21, 2007).
International Search Report, PCT/US2007/085339, Mailed Mar. 14, 2008.
International Search Opinion, PCT/US2007/085339, Mailed Oct. 1, 2009.
Office Action Mailed Jul. 17, 2009, U.S. Appl. No. 11/945,174.

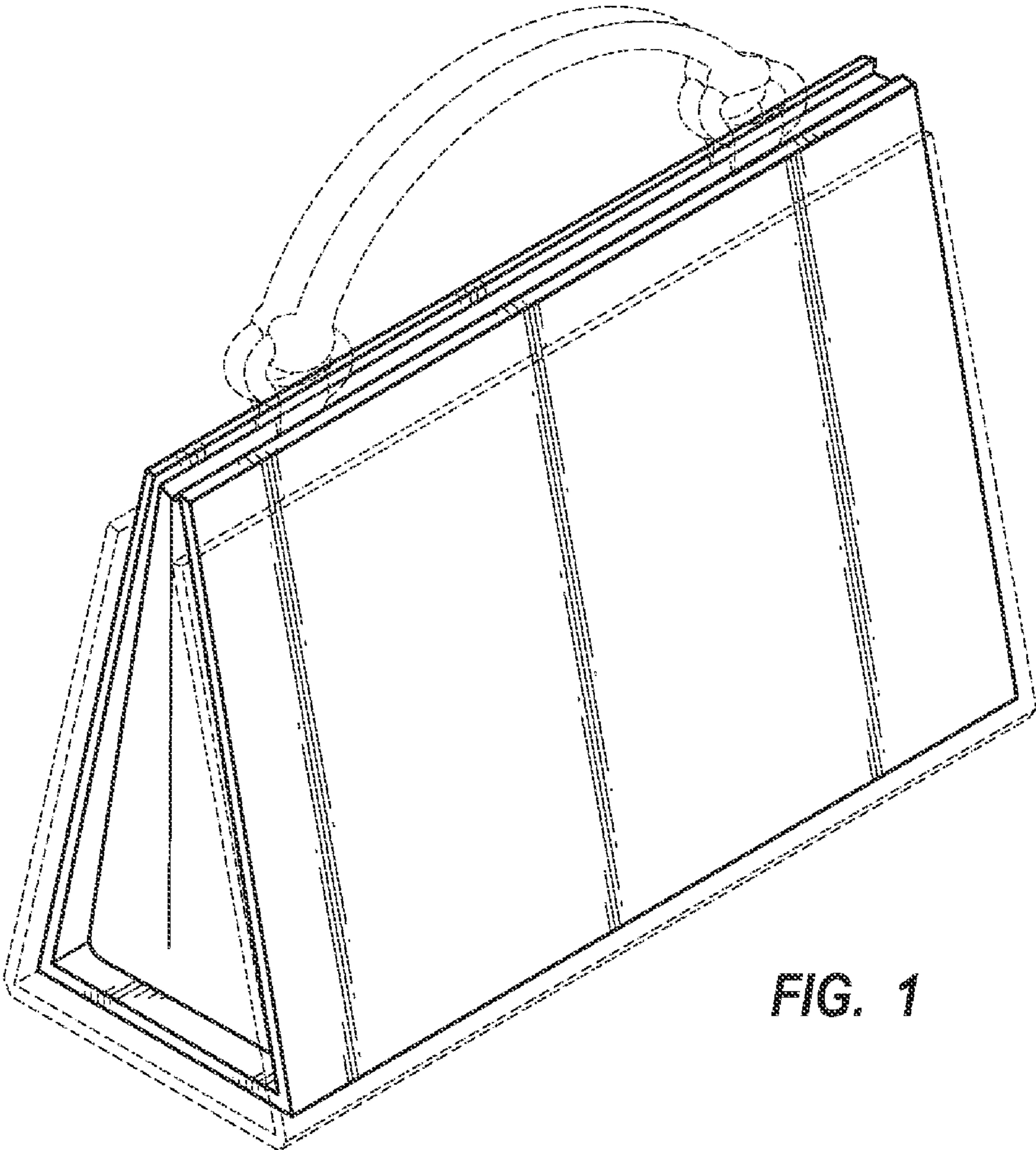


FIG. 1

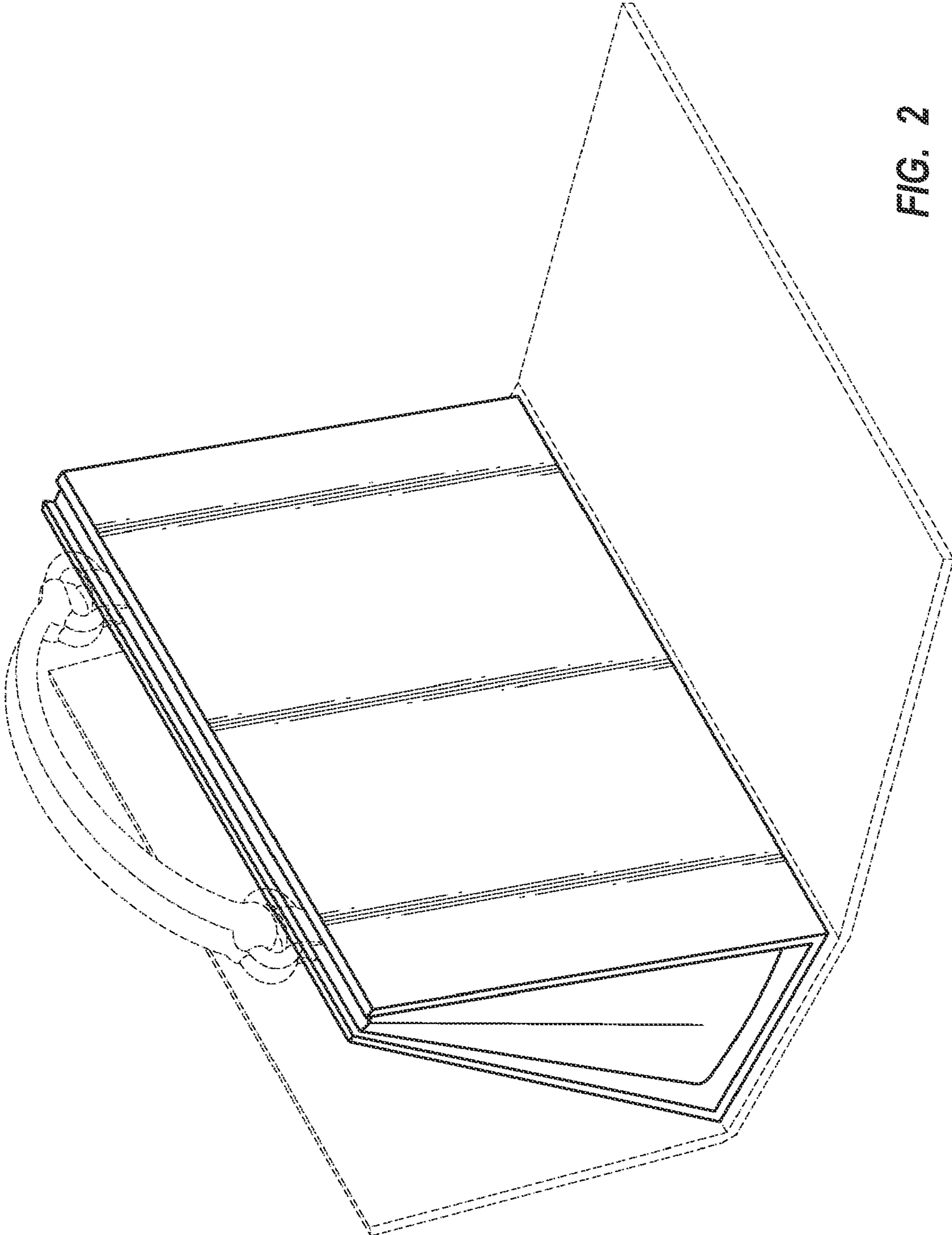


FIG. 2

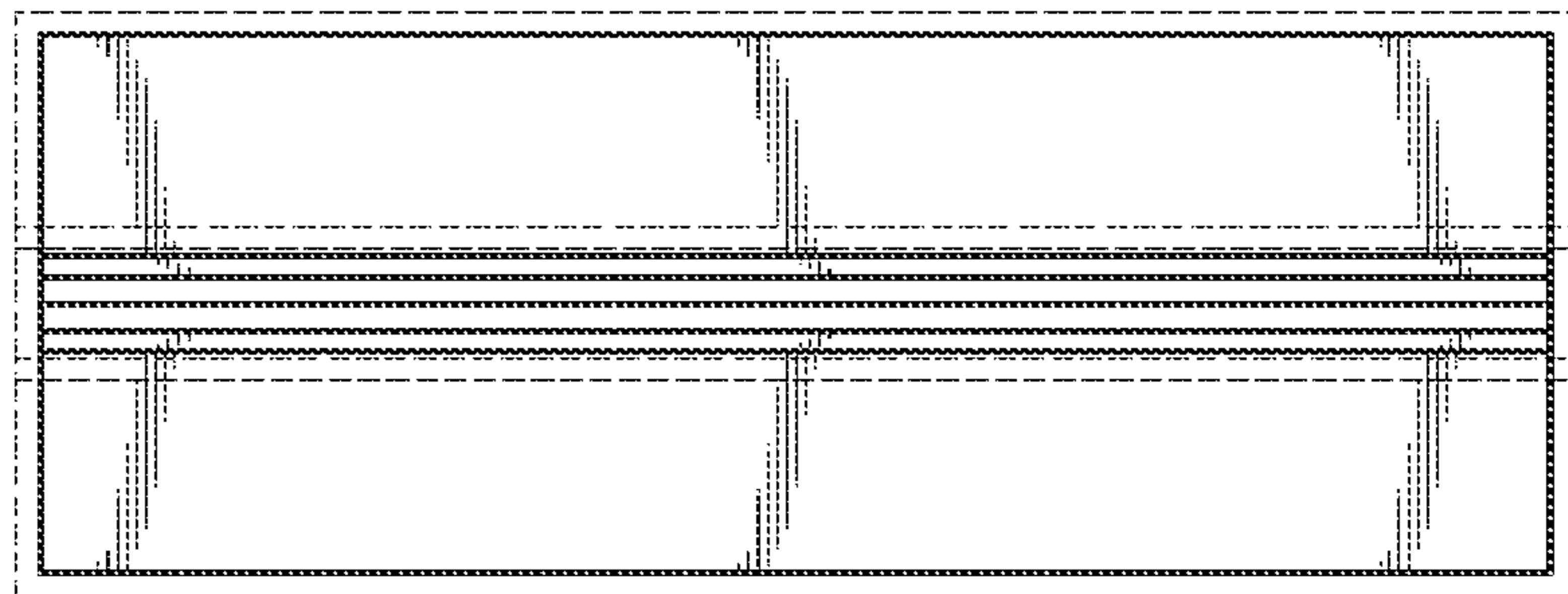


FIG. 4

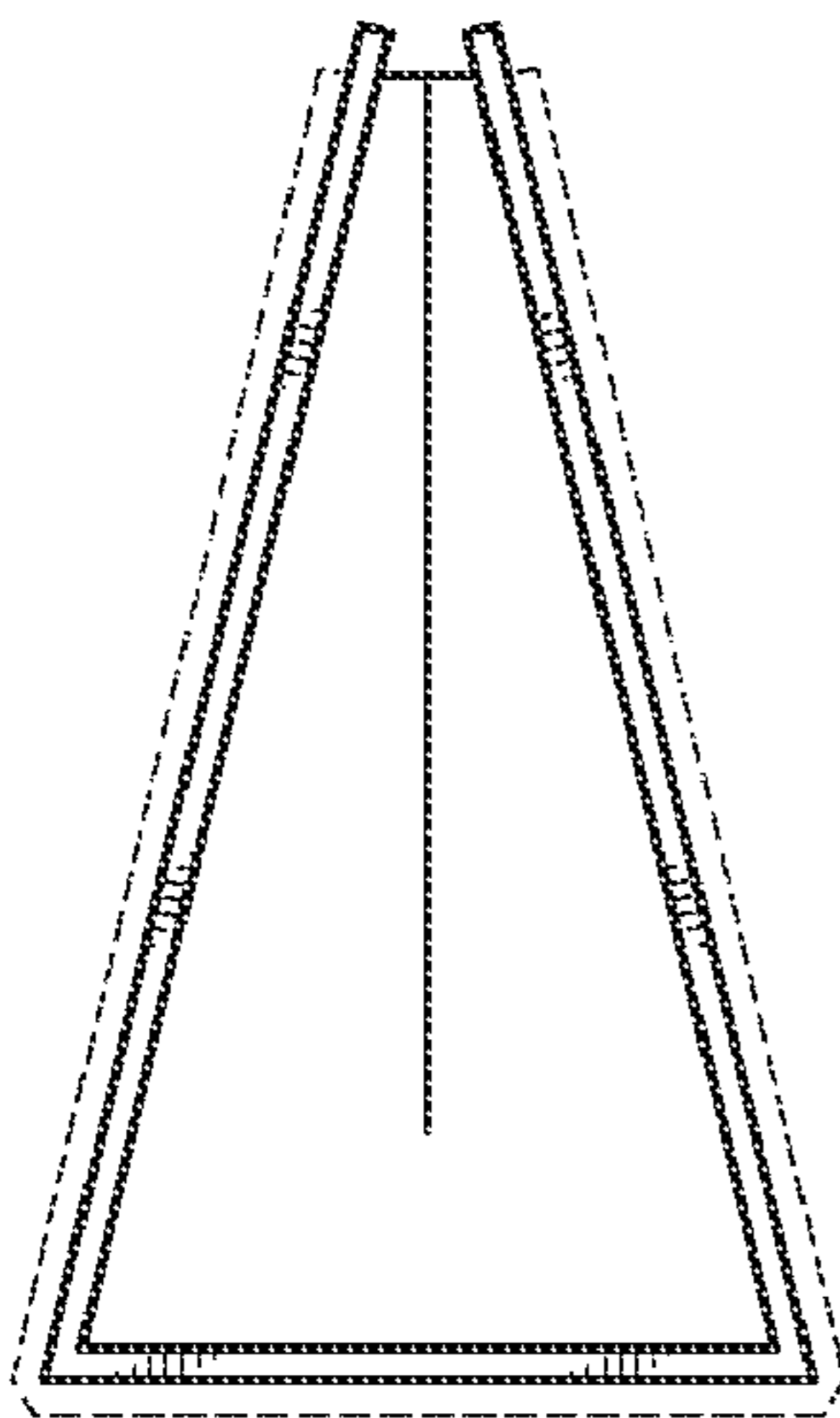


FIG. 5

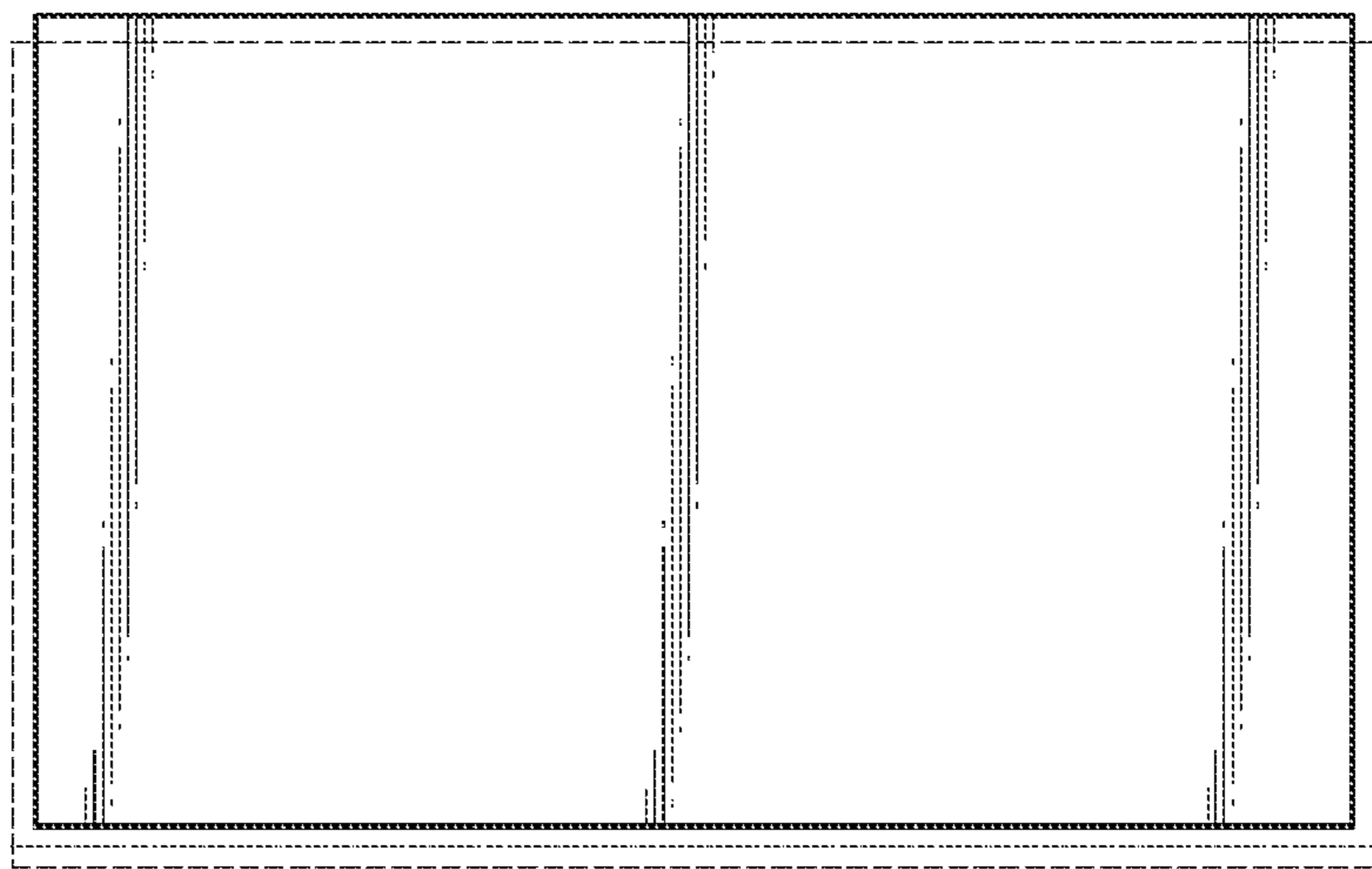


FIG. 3

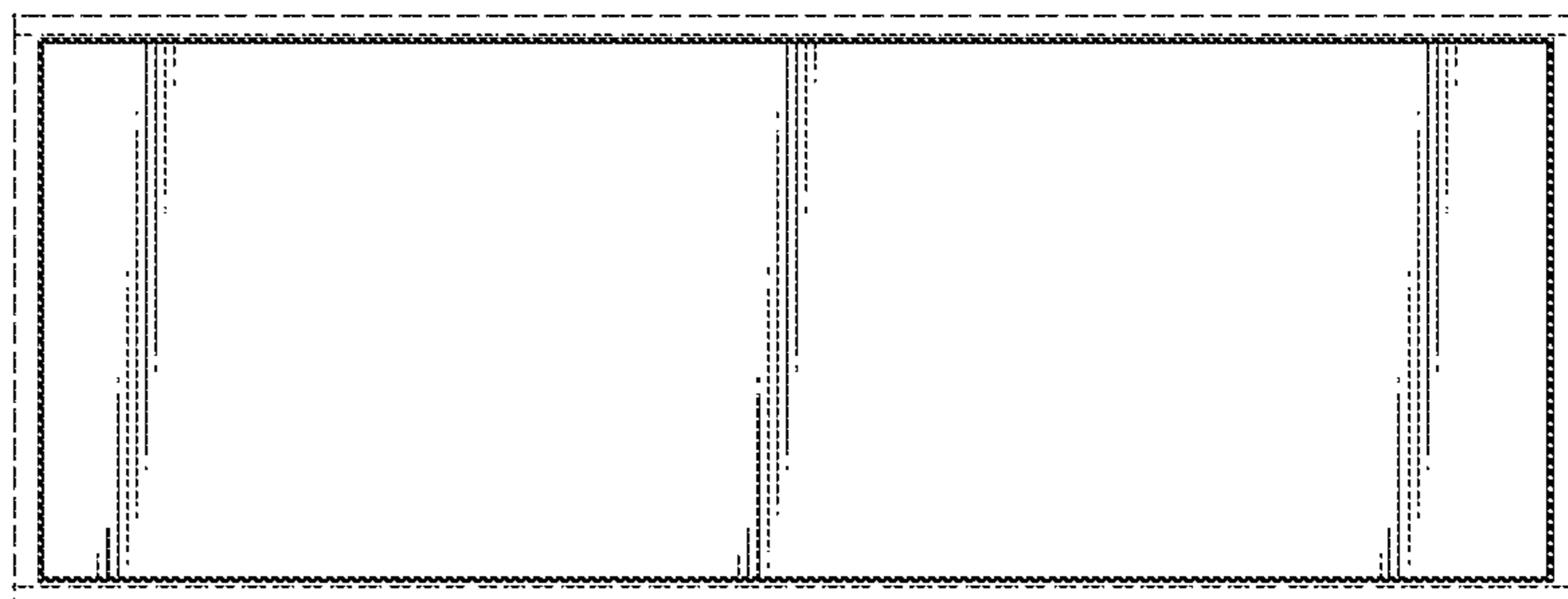


FIG. 6