



US00D611702S

(12) **United States Design Patent**  
**Fahrendorff et al.**

(10) **Patent No.:** **US D611,702 S**  
(45) **Date of Patent:** **\*\* \*Mar. 16, 2010**

(54) **HANDHELD ELECTRONIC DEVICE CASE**

D561,463 S \* 2/2008 Malhotra ..... D3/218  
D565,836 S \* 4/2008 Wang ..... D3/201

(75) Inventors: **Anders Fahrendorff**, Ottawa (CA);  
**Seyed-Payam Shalchian**, Ottawa (CA);  
**Ian James Murchison**, Ottawa (CA);  
**Gabriel Deen Khan**, Waterloo (CA)

\* cited by examiner

(73) Assignee: **Research In Motion Limited**, Waterloo (CA)

*Primary Examiner*—Catherine R Oliver

(\* ) Notice: This patent is subject to a terminal disclaimer.

(57) **CLAIM**

We claim the ornamental design for a handheld electronic device case, as shown and described.

(\*\*) Term: **14 Years**

(21) Appl. No.: **29/339,614**

**DESCRIPTION**

(22) Filed: **Jul. 2, 2009**

(51) **LOC (9) Cl.** ..... **03-01**

(52) **U.S. Cl.** ..... **D3/218**

(58) **Field of Classification Search** ..... D3/218,  
D3/215, 219, 224, 226, 201, 205, 269; 224/240–241,  
224/901, 904, 676–681, 674, 578; D14/250–251,  
D14/138; 206/305, 320; 455/42, 90, 92;  
379/455

See application file for complete search history.

FIG. 1 is a front perspective view of a handheld electronic device case;

FIG. 2 is a rear perspective view of the handheld electronic device case;

FIG. 3 is a rear view thereof;

FIG. 4 is a front view thereof;

FIG. 5 is a left elevational view thereof;

FIG. 6 is a right elevational view thereof;

FIG. 7 is a top plan view thereof; and,

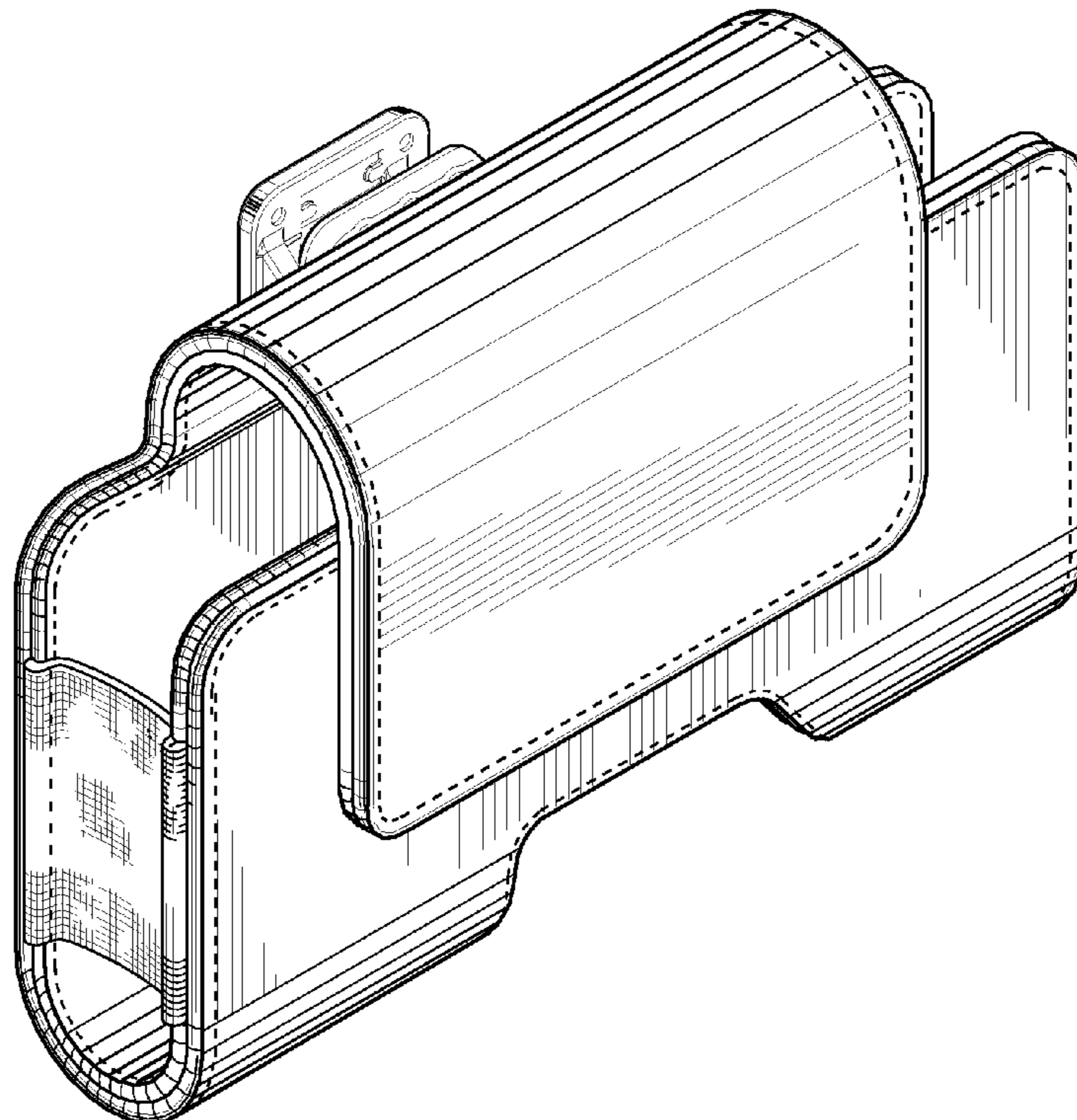
FIG. 8 is a bottom plan view thereof.

(56) **References Cited**

**U.S. PATENT DOCUMENTS**

D515,807 S \* 2/2006 Faillace ..... D3/218

**1 Claim, 5 Drawing Sheets**



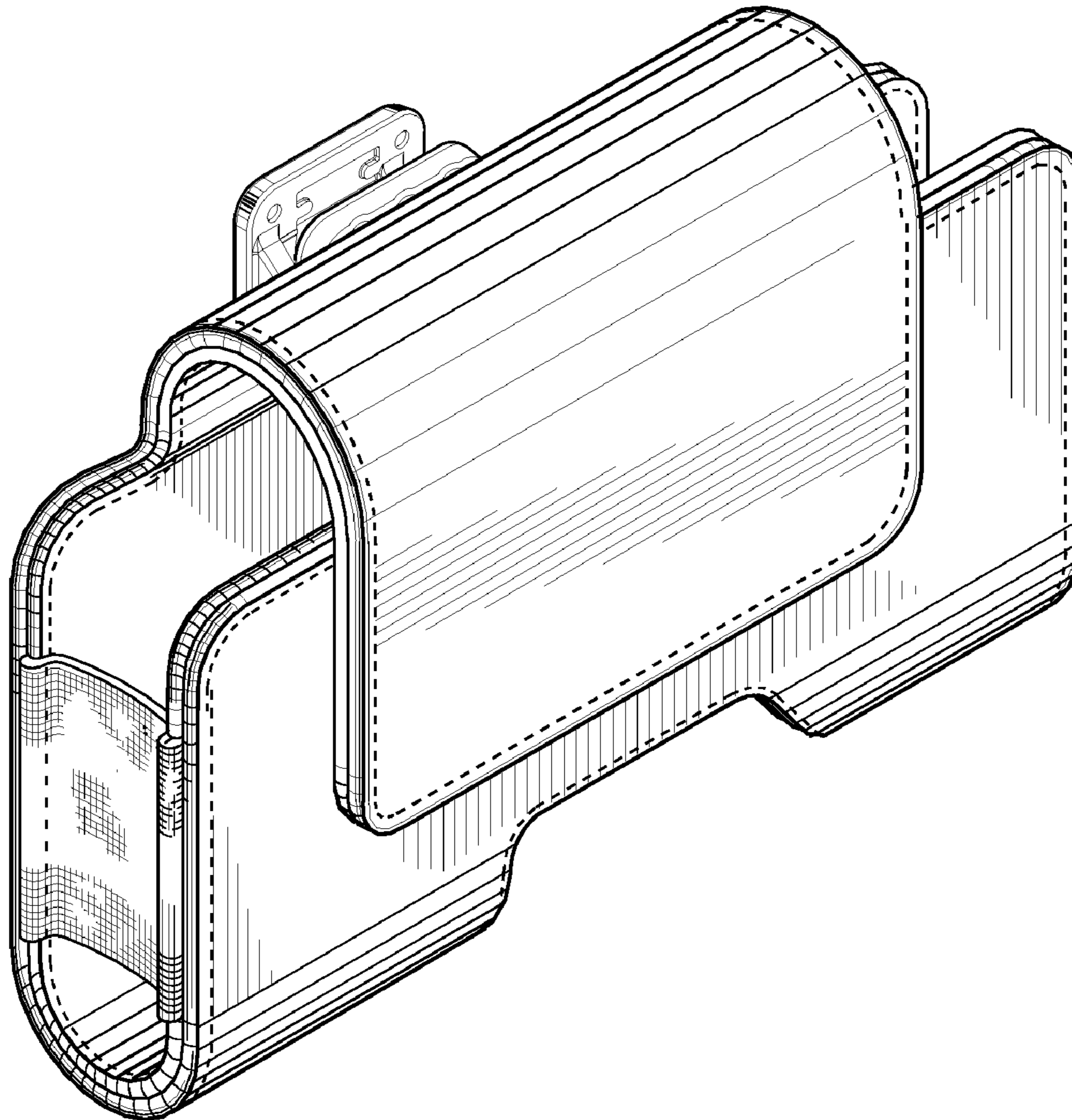


FIG.1

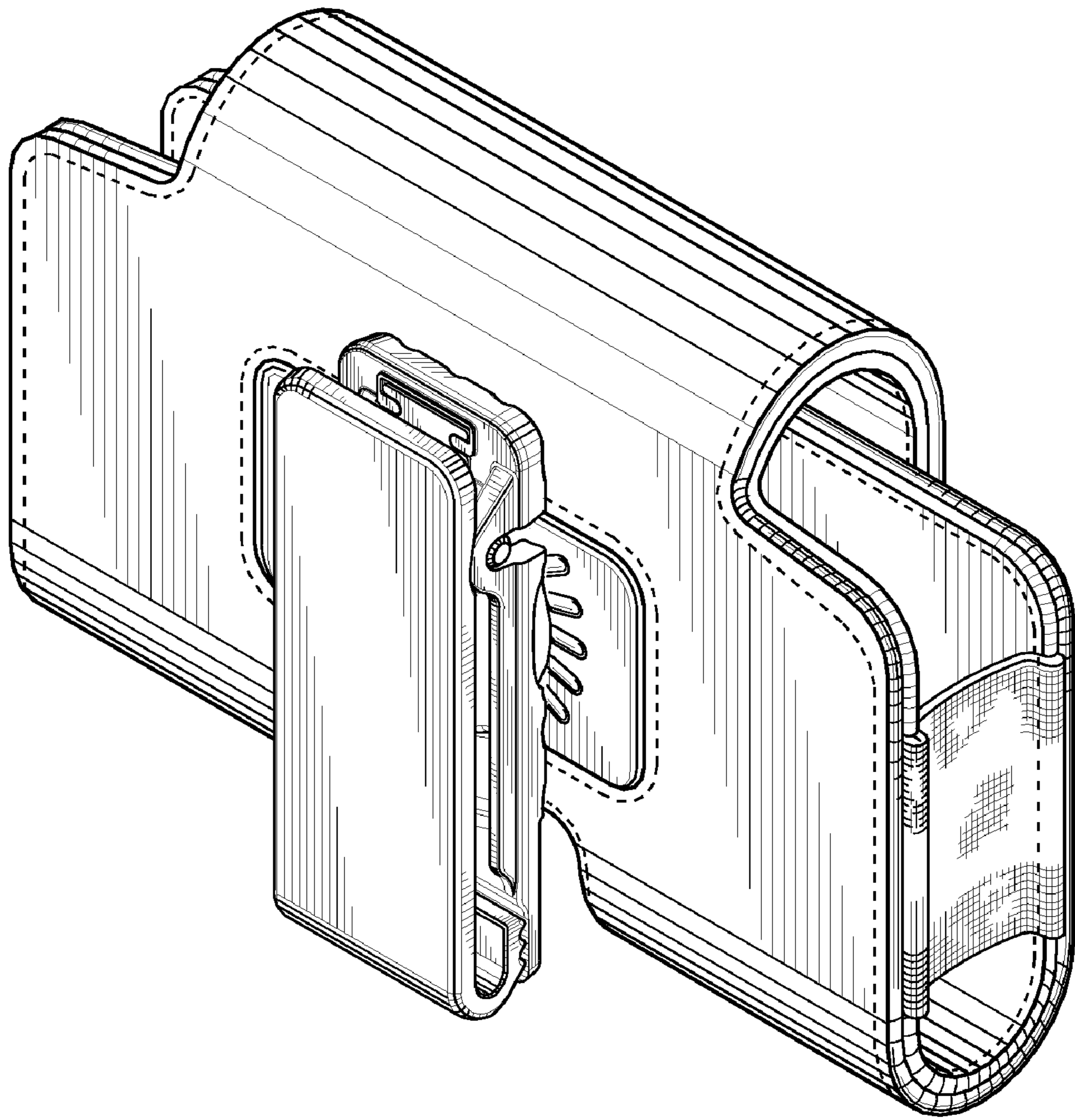


FIG.2

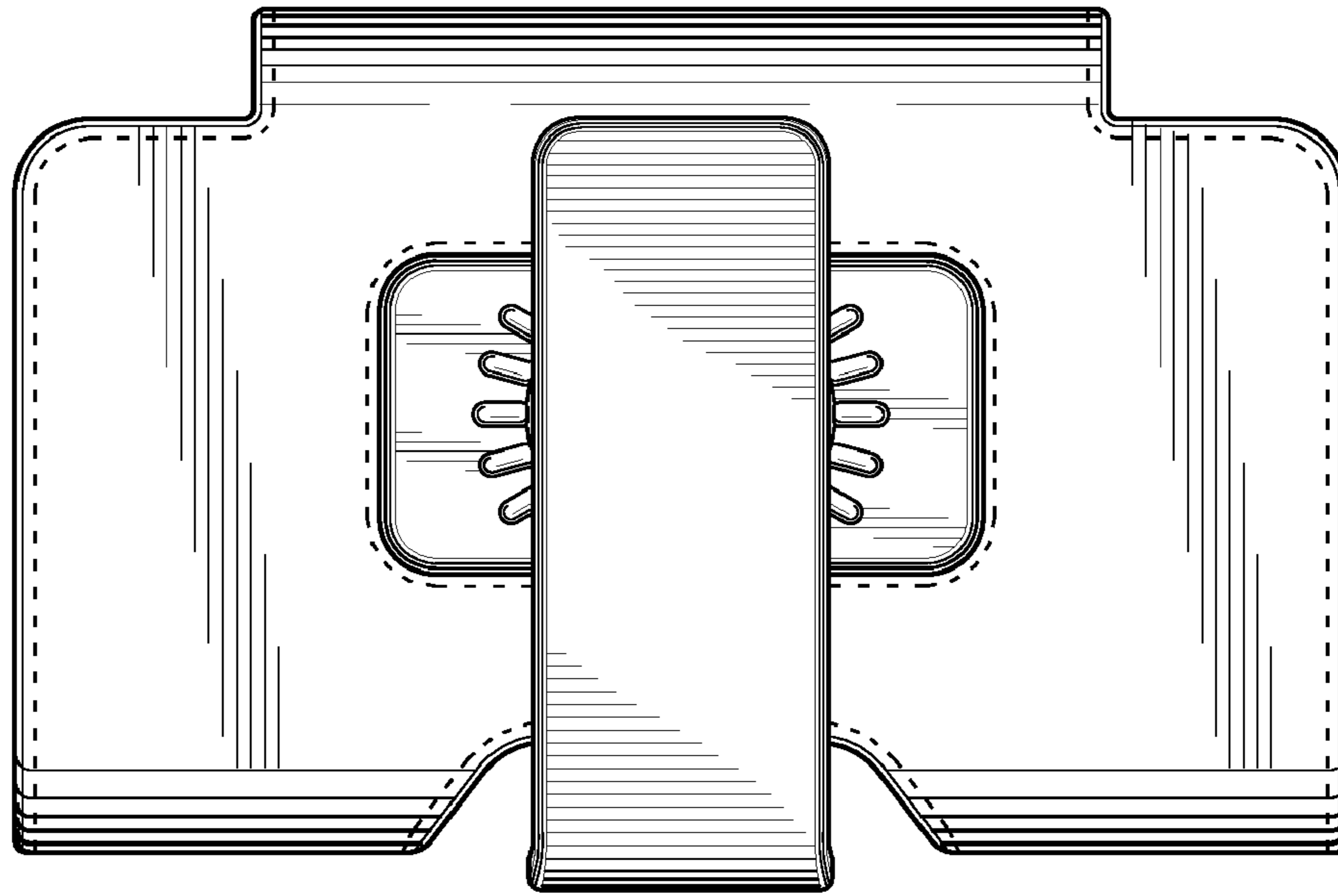


FIG.3

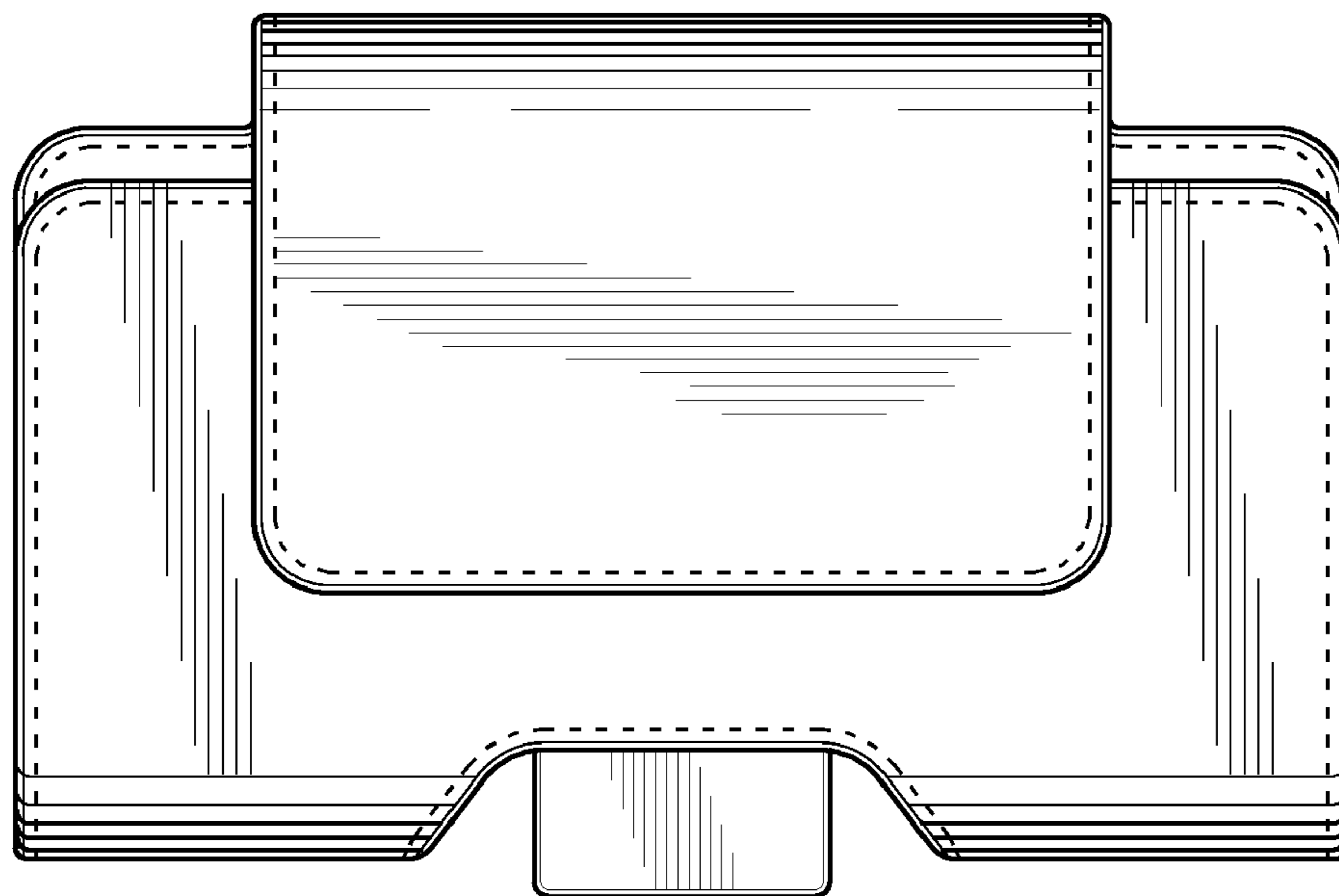


FIG.4

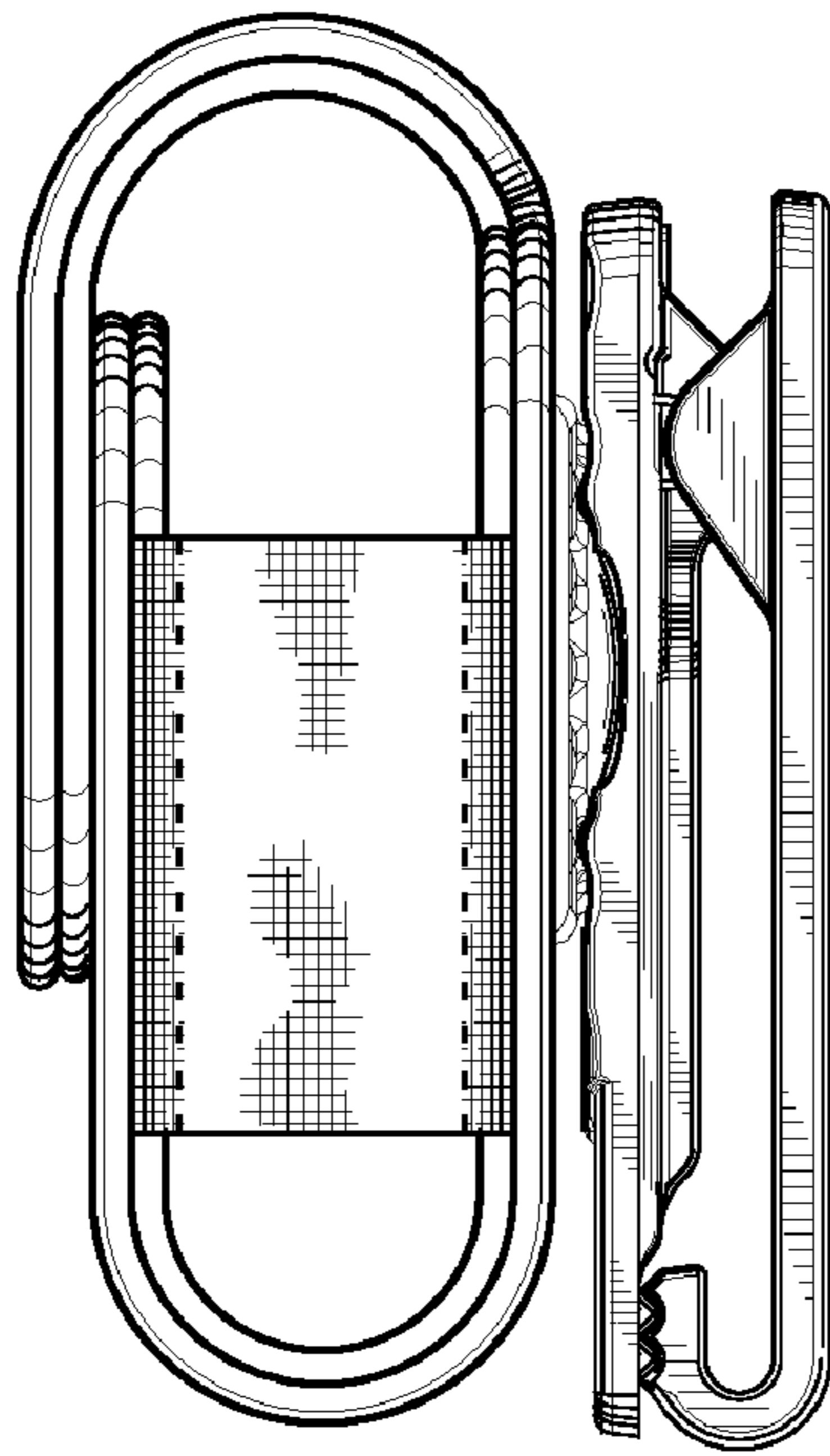


FIG. 5

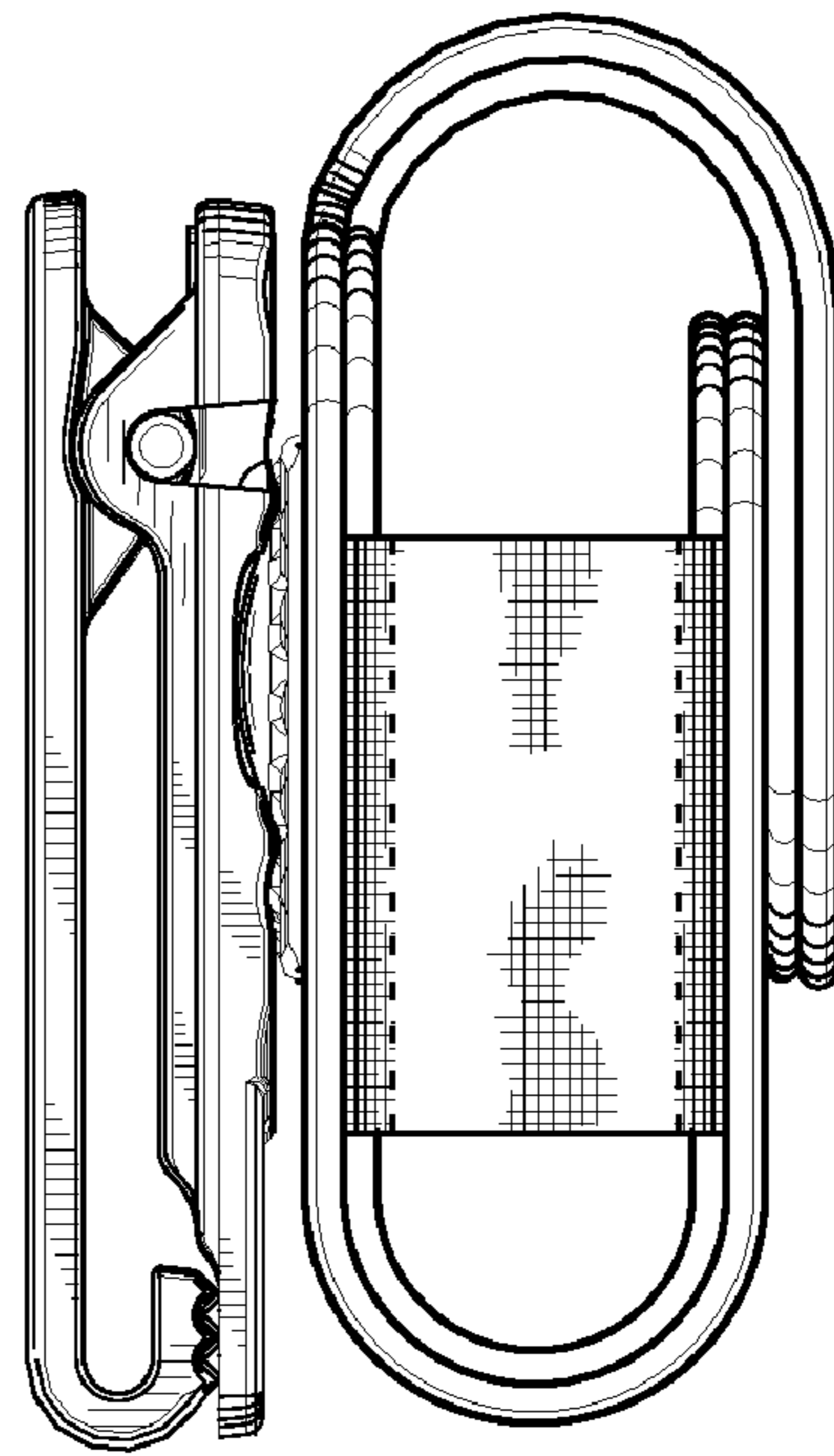


FIG. 6

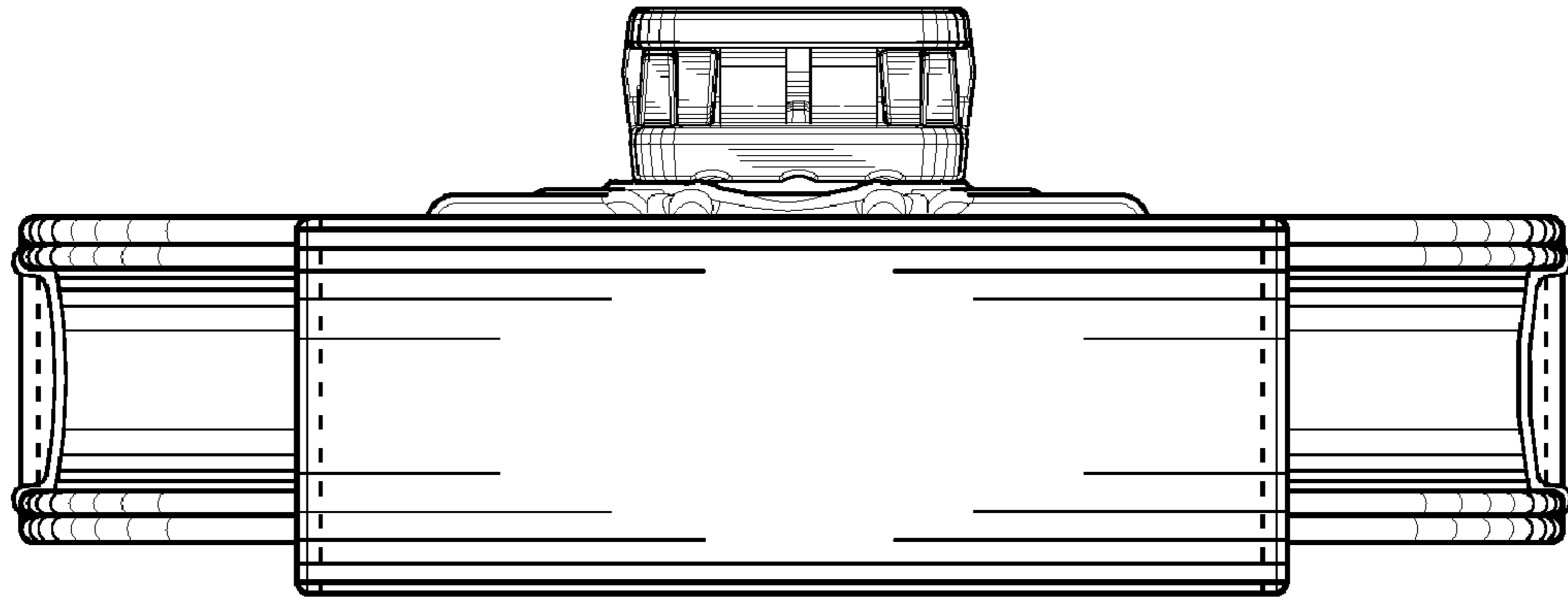


FIG. 7

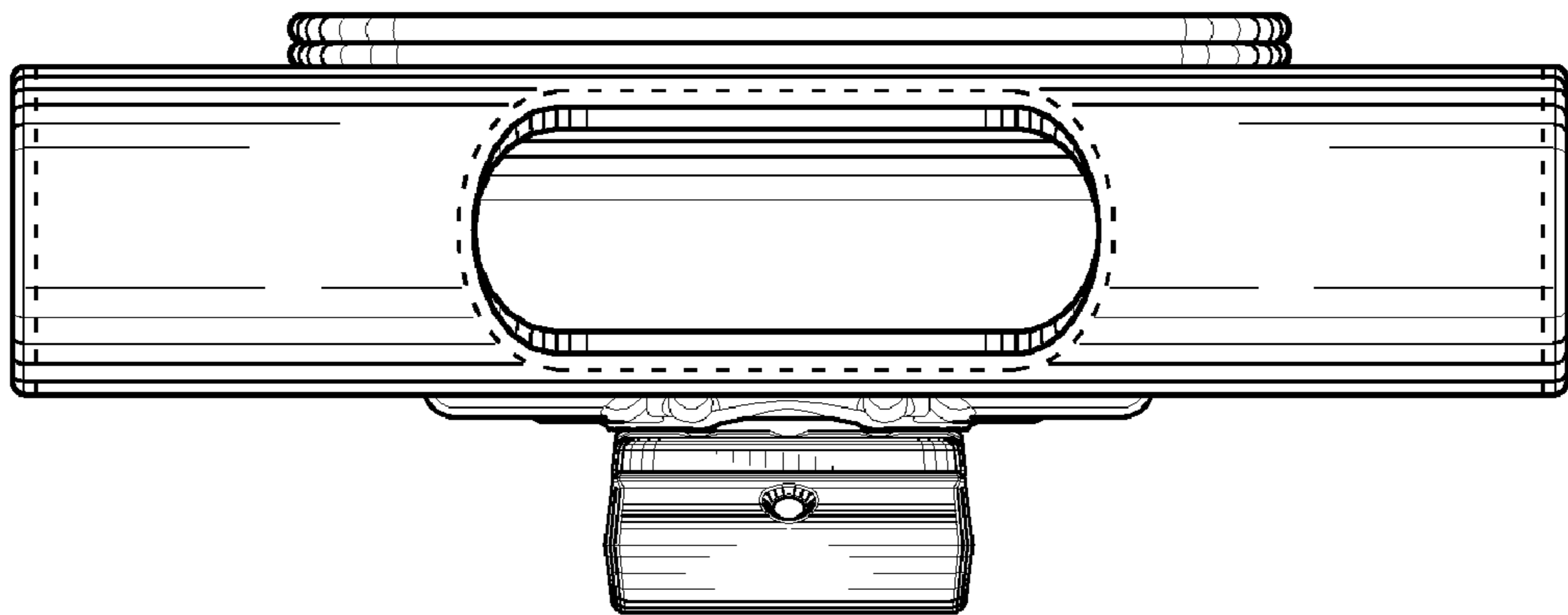


FIG. 8