



US00D611700S

(12) **United States Design Patent**
Nussberger

(10) **Patent No.:** **US D611,700 S**
(45) **Date of Patent:** **** Mar. 16, 2010**

(54) **CASE HAVING A FLEXIBLE INTERMEDIATE PART**

(75) Inventor: **Martin Nussberger**, Munich (DE)

(73) Assignee: **Odenwalder Kunststoffwerke
Gehausysteme GmbH,**
Buchen/Odenwald (DE)

(**) Term: **14 Years**

(21) Appl. No.: **29/338,407**

(22) Filed: **Jun. 10, 2009**

Related U.S. Application Data

(62) Division of application No. 29/284,646, filed on Sep. 12, 2007, now Pat. No. Des. 595,952.

(30) **Foreign Application Priority Data**

Apr. 12, 2007 (EM) 000705561

(51) **LOC (9) Cl.** **03-01**

(52) **U.S. Cl.** **D3/215**

(58) **Field of Classification Search** D3/201,
D3/203.2, 203.3, 205, 207-212, 215, 294;
206/530-538; 40/633, 117, 709, 1.6

See application file for complete search history.

(56) **References Cited**

U.S. PATENT DOCUMENTS

2,073,280 A * 3/1937 Lederer 40/633

D215,076 S * 8/1969 Hinkle et al. D3/212
D388,953 S * 1/1998 Hartman et al. D3/212
D479,395 S * 9/2003 Westrich et al. D3/212
D517,799 S * 3/2006 Oas D3/203.2
D546,056 S * 7/2007 Oas D3/203.2

* cited by examiner

Primary Examiner—Catherine R Oliver

(74) *Attorney, Agent, or Firm*—The Culbertson Group, P.C.

(57) **CLAIM**

The ornamental design for a case having a flexible intermediate part, as shown and described.

DESCRIPTION

FIG. 1 is a top plan view of a first embodiment of a case having a flexible intermediate part showing my new design;

FIG. 2 is a top and side perspective view of the first embodiment;

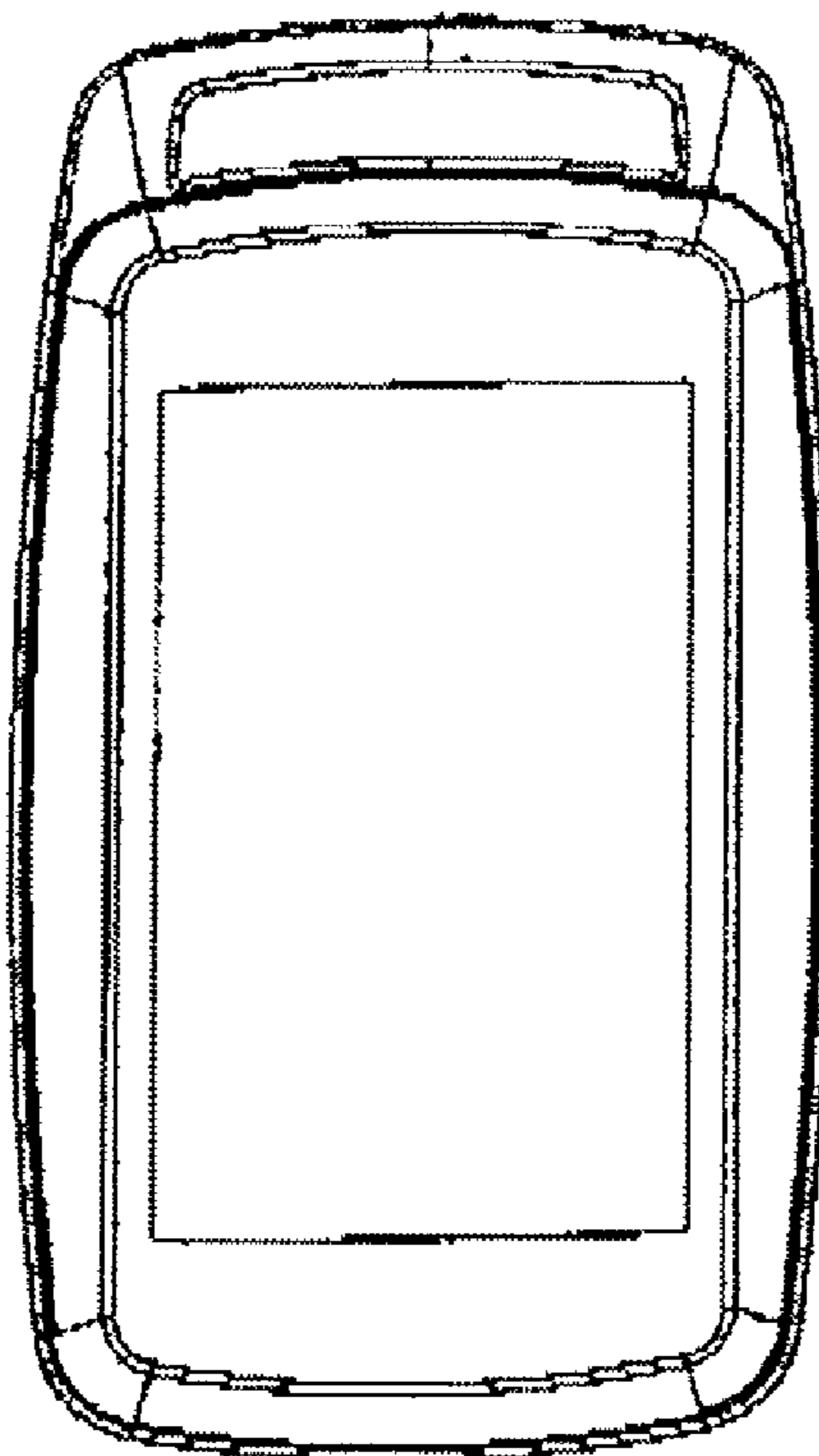
FIG. 3 is a bottom perspective view of the first embodiment;

FIG. 4 is a top plan view of a second embodiment;

FIG. 5 is a top and side perspective view of the second embodiment; and,

FIG. 6 is a bottom perspective view of the second embodiment.

1 Claim, 2 Drawing Sheets



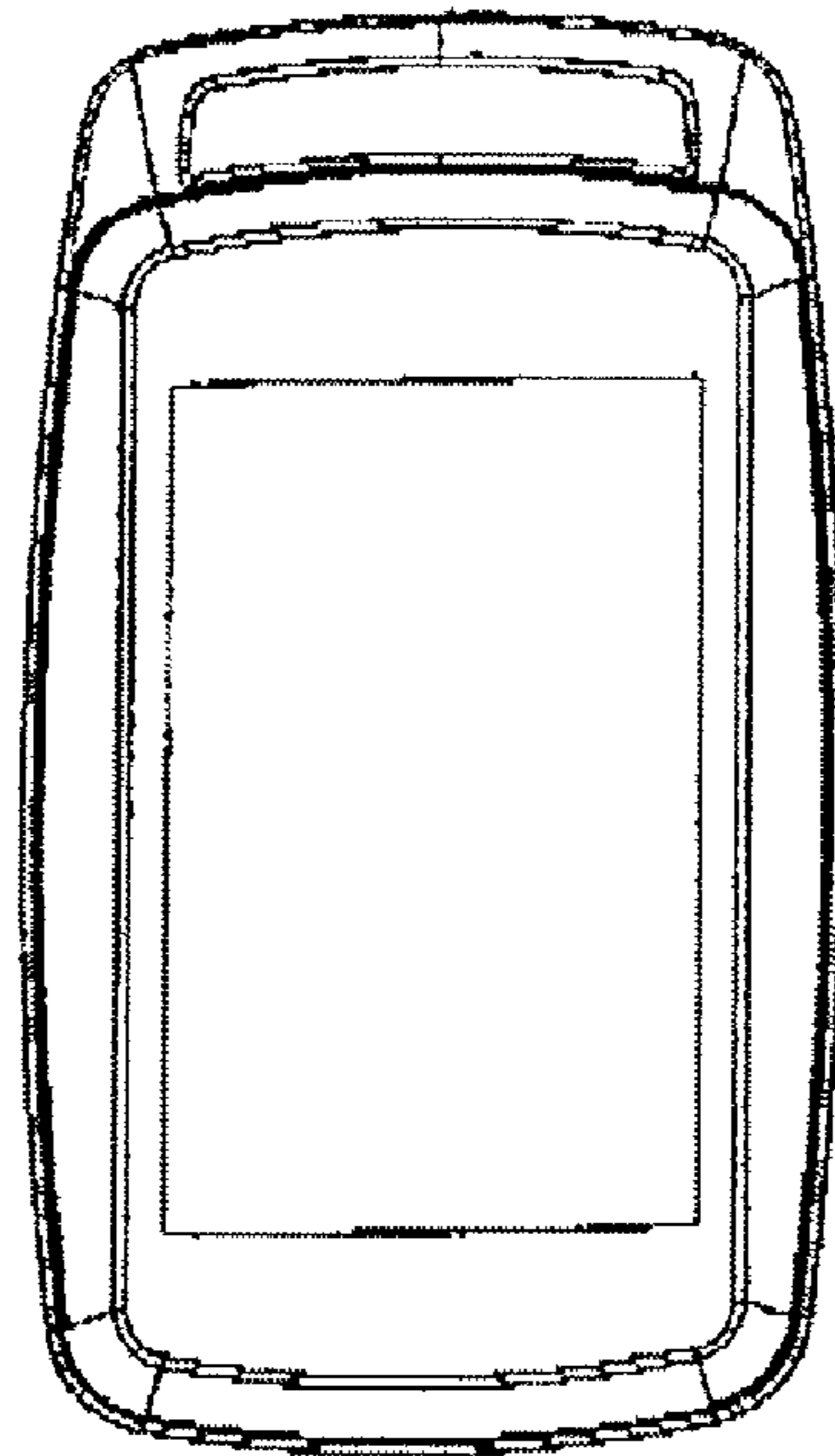


FIG. 1

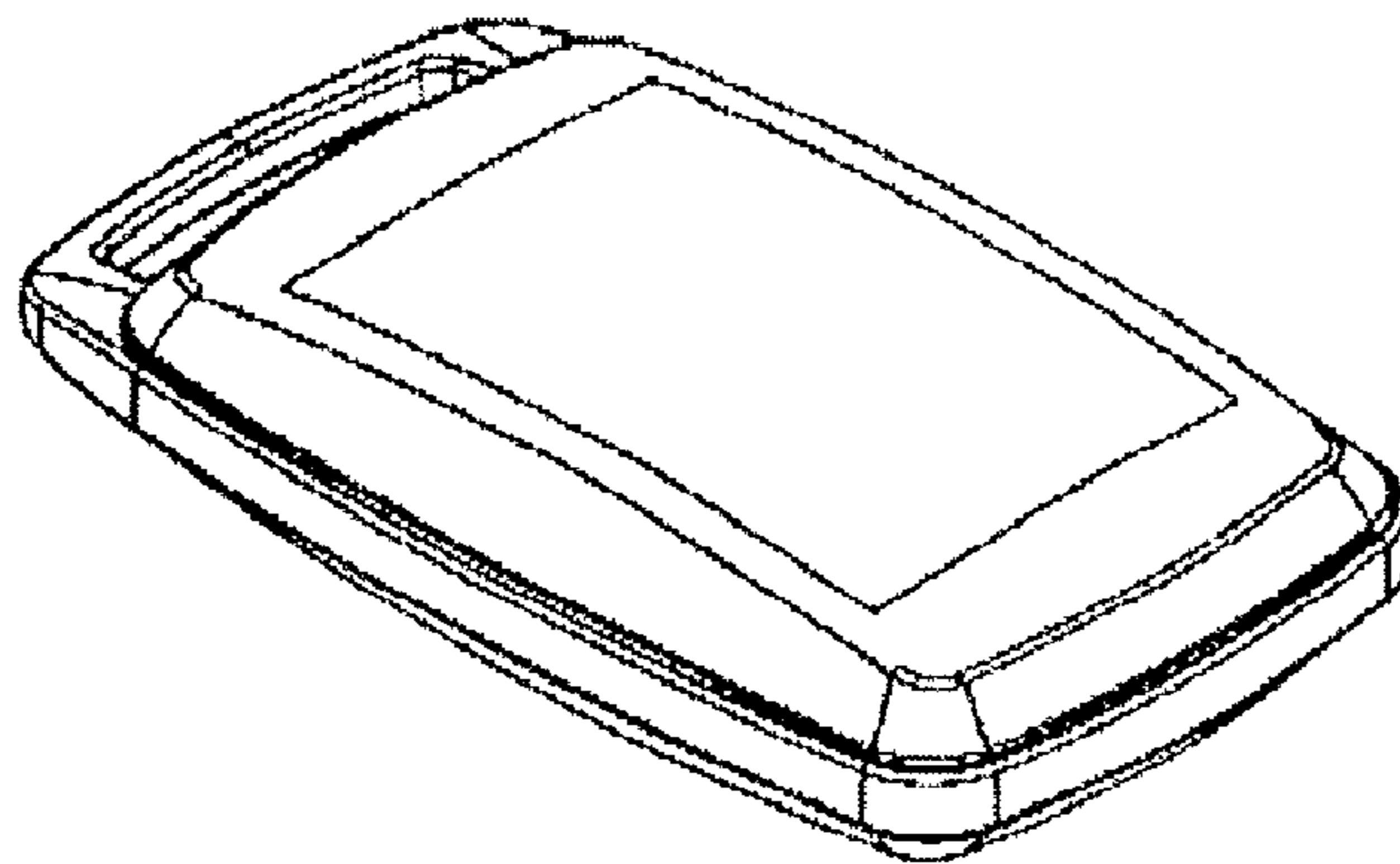


FIG. 2

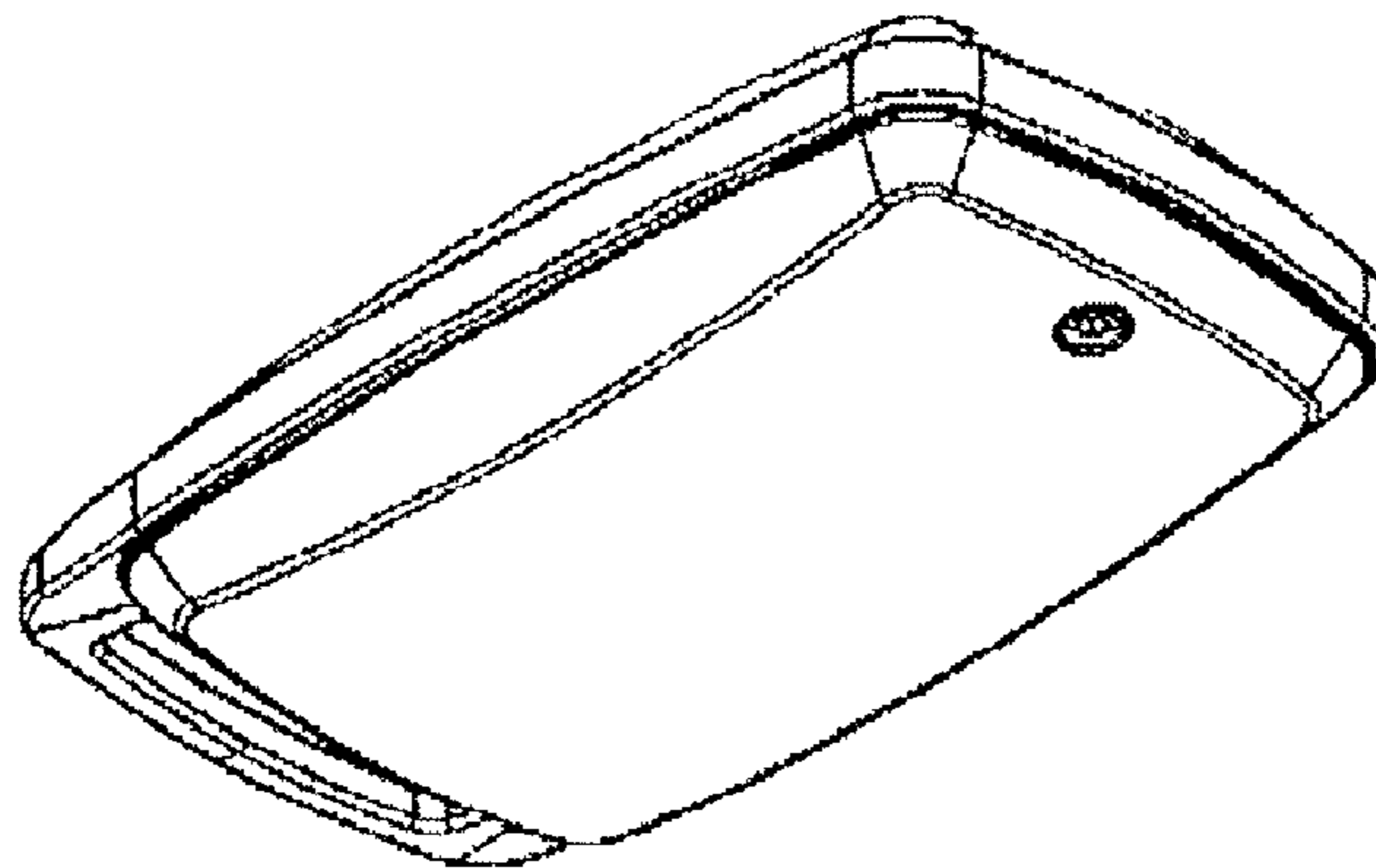


FIG. 3

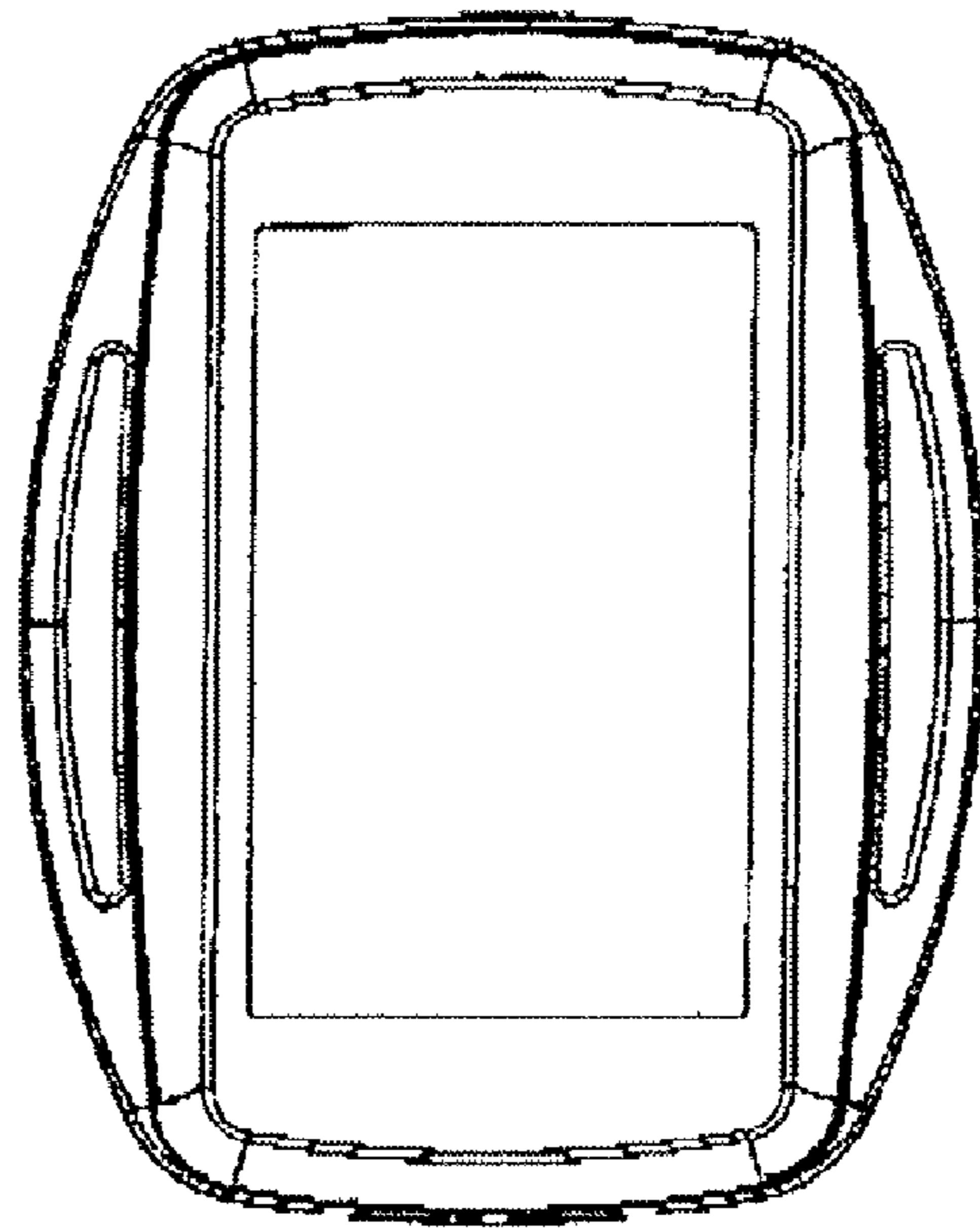


FIG. 4

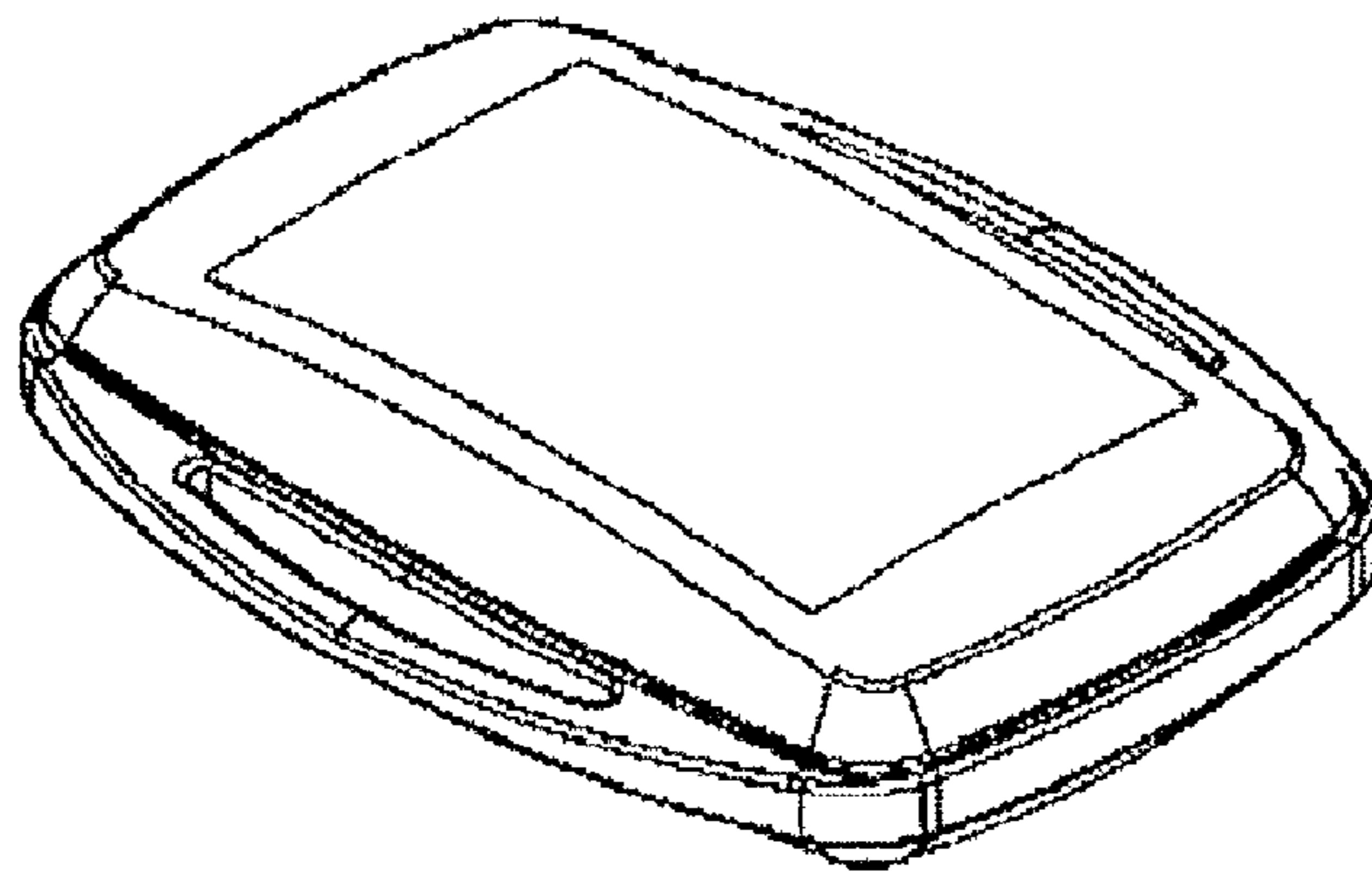


FIG. 5

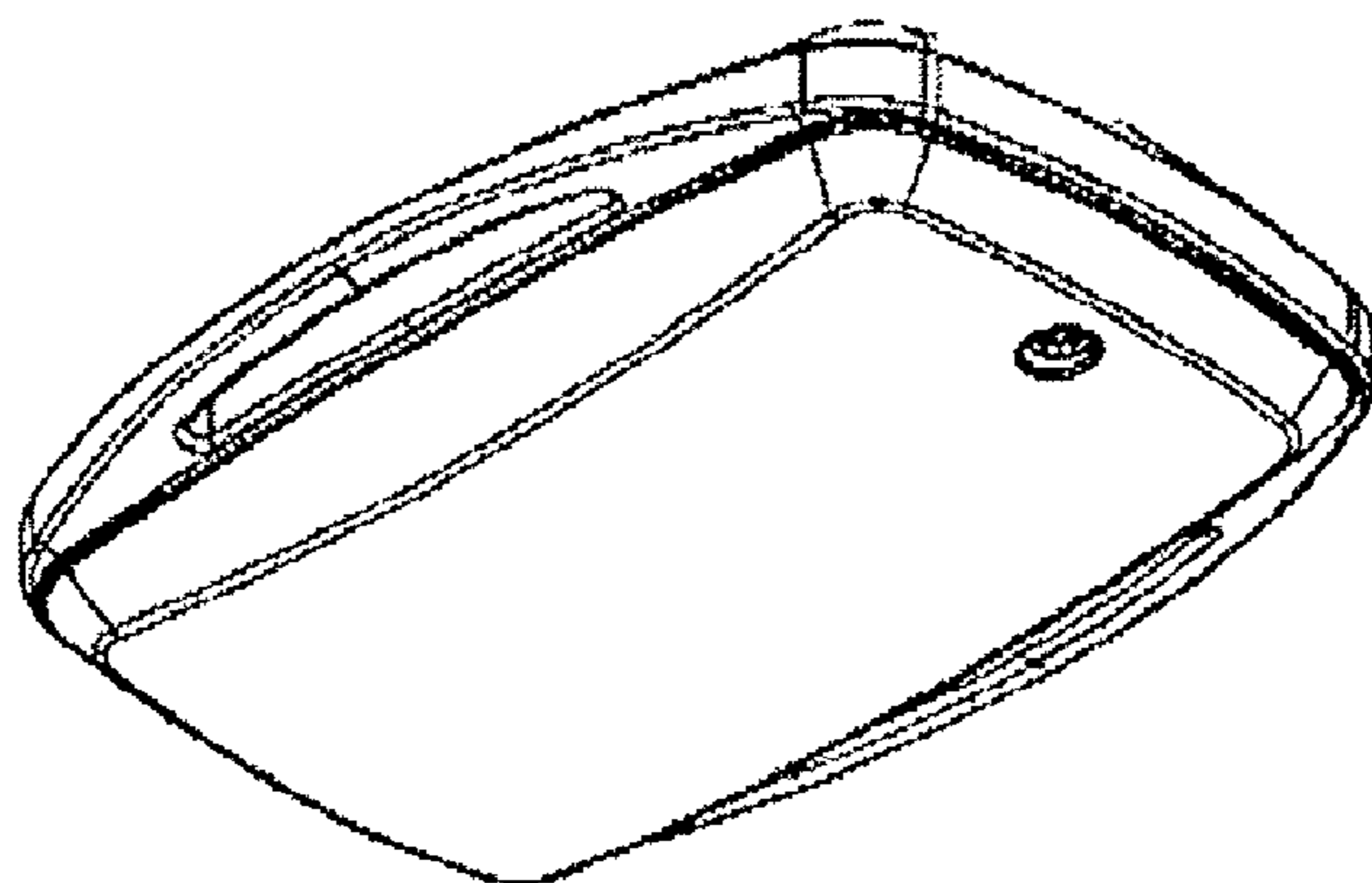


FIG. 6