



US00D611692S

(12) **United States Design Patent**
Bizzo

(10) **Patent No.:** **US D611,692 S**
(45) **Date of Patent:** **** Mar. 16, 2010**

- (54) **DEEP GROOVE SHOE SOLE**
- (75) Inventor: **Luca Bizzo**, Holmdel, NJ (US)
- (73) Assignee: **Aerogroup International Holdings LLC**, Edison, NJ (US)
- (**) Term: **14 Years**
- (21) Appl. No.: **29/303,229**
- (22) Filed: **Feb. 4, 2008**
- (51) **LOC (9) Cl.** **02-04**
- (52) **U.S. Cl.** **D2/960; D2/951**
- (58) **Field of Classification Search** D2/953,
D2/954, 955, 956, 957, 958, 959, 960, 961;
36/3 B, 22 R, 24.5, 25 R, 28, 59 C, 103, 10
See application file for complete search history.

- 7,290,357 B2 * 11/2007 McDonald et al. 36/102
- D561,438 S * 2/2008 Belley D2/957
- D569,593 S * 5/2008 Avar D2/957
- D577,183 S * 9/2008 Link D2/959
- D577,883 S * 10/2008 Link D2/959
- 2006/0265905 A1 * 11/2006 Chandler et al. 36/25 R

* cited by examiner

Primary Examiner—Celia A Murphy

(74) *Attorney, Agent, or Firm*—Lackenbach Siegel, LLP;
Andrew F. Young

(57) **CLAIM**

The ornamental design for a deep groove shoe sole, as shown and described.

DESCRIPTION

FIG. 1 is a front perspective view of the shoe sole.

FIG. 2 is a bottom plan view of the shoe sole.

FIG. 3 is a left side elevational view of the shoe sole.

FIG. 4 is a right side elevational view of the shoe sole.

FIG. 5 is a front elevational view of the shoe sole; and,

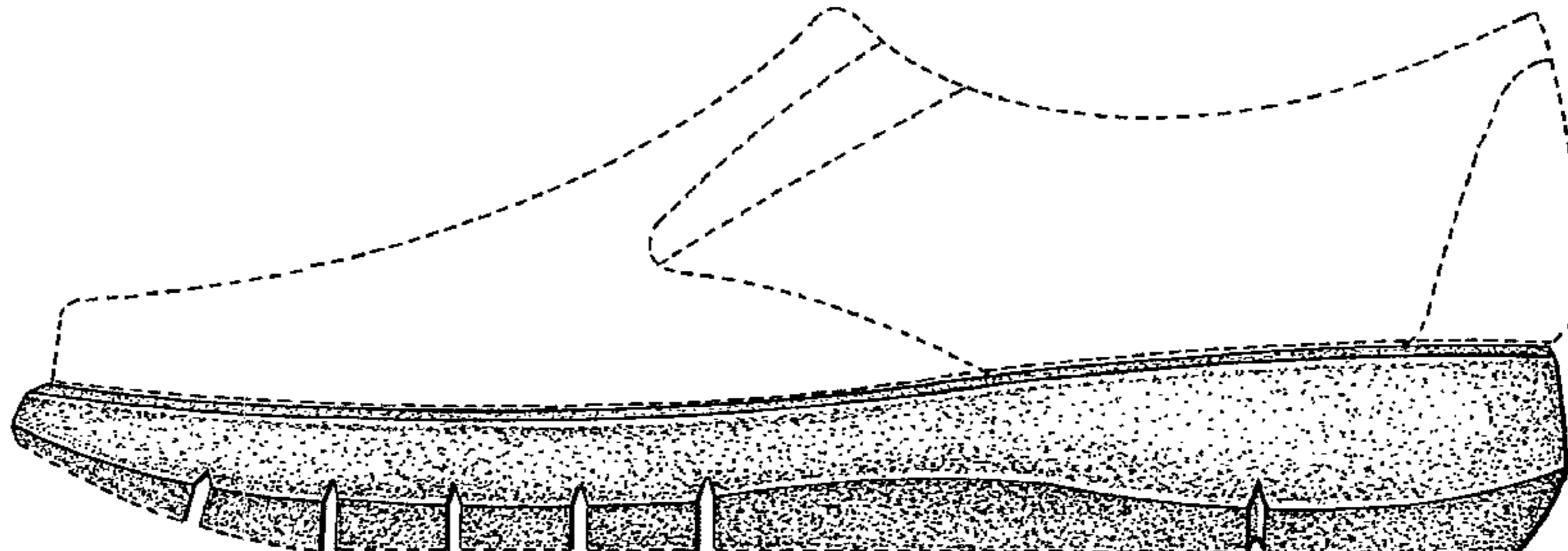
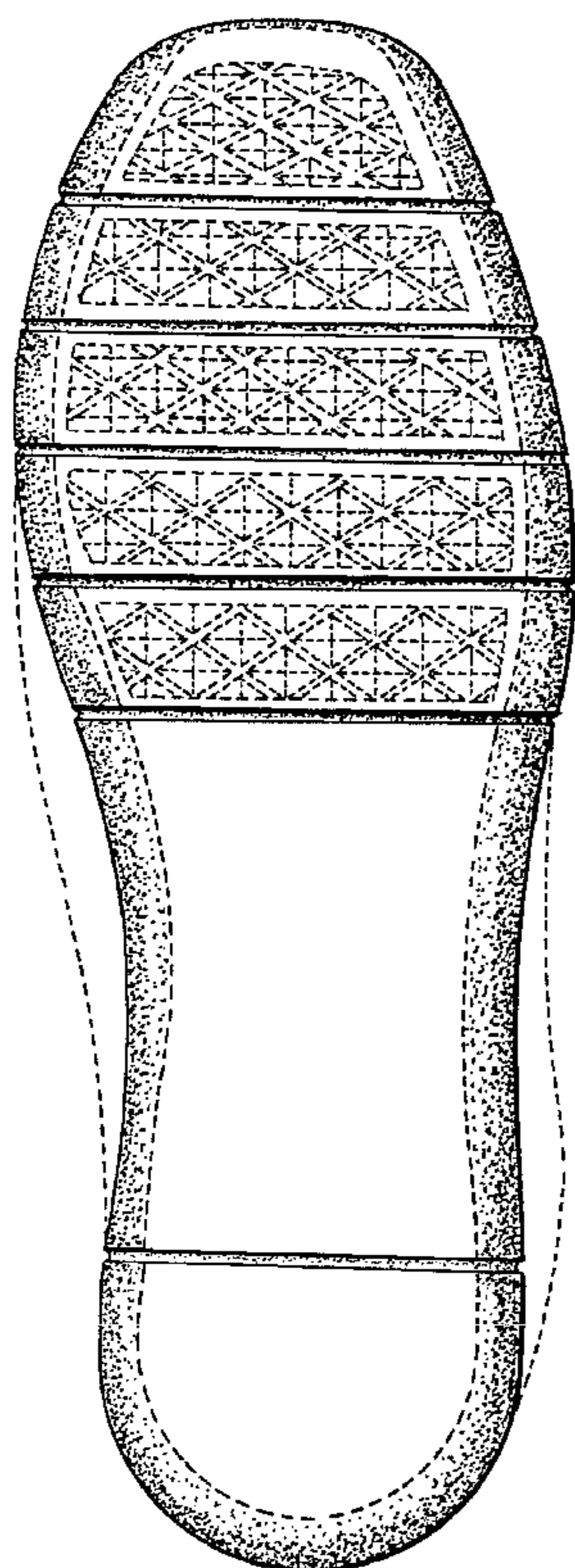
FIG. 6 is a rear elevational view of the shoe sole.

The broken lines immediately adjacent to the stippled areas throughout the views represent the unclaimed boundaries of the design. The broken lines showing the remainder of the shoe sole illustrate the portions of the article that form no part of the claim.

1 Claim, 5 Drawing Sheets

(56) **References Cited**
U.S. PATENT DOCUMENTS

D136,381 S *	9/1943	Ghez et al.	D2/960
2,353,829 A *	7/1944	Jakosky	36/59 R
D377,711 S *	2/1997	Hawker	D2/954
D429,411 S *	8/2000	Gillespie	D2/960
D441,176 S *	5/2001	Dean	D2/959
D474,880 S *	5/2003	Cintron	D2/960
D482,187 S *	11/2003	McClaskie	D2/960
D530,493 S *	10/2006	Holmes	D2/957
D536,861 S *	2/2007	Rasmussen	D2/960
D550,939 S *	9/2007	Smith et al.	D2/957
D551,835 S *	10/2007	Hung	D2/961



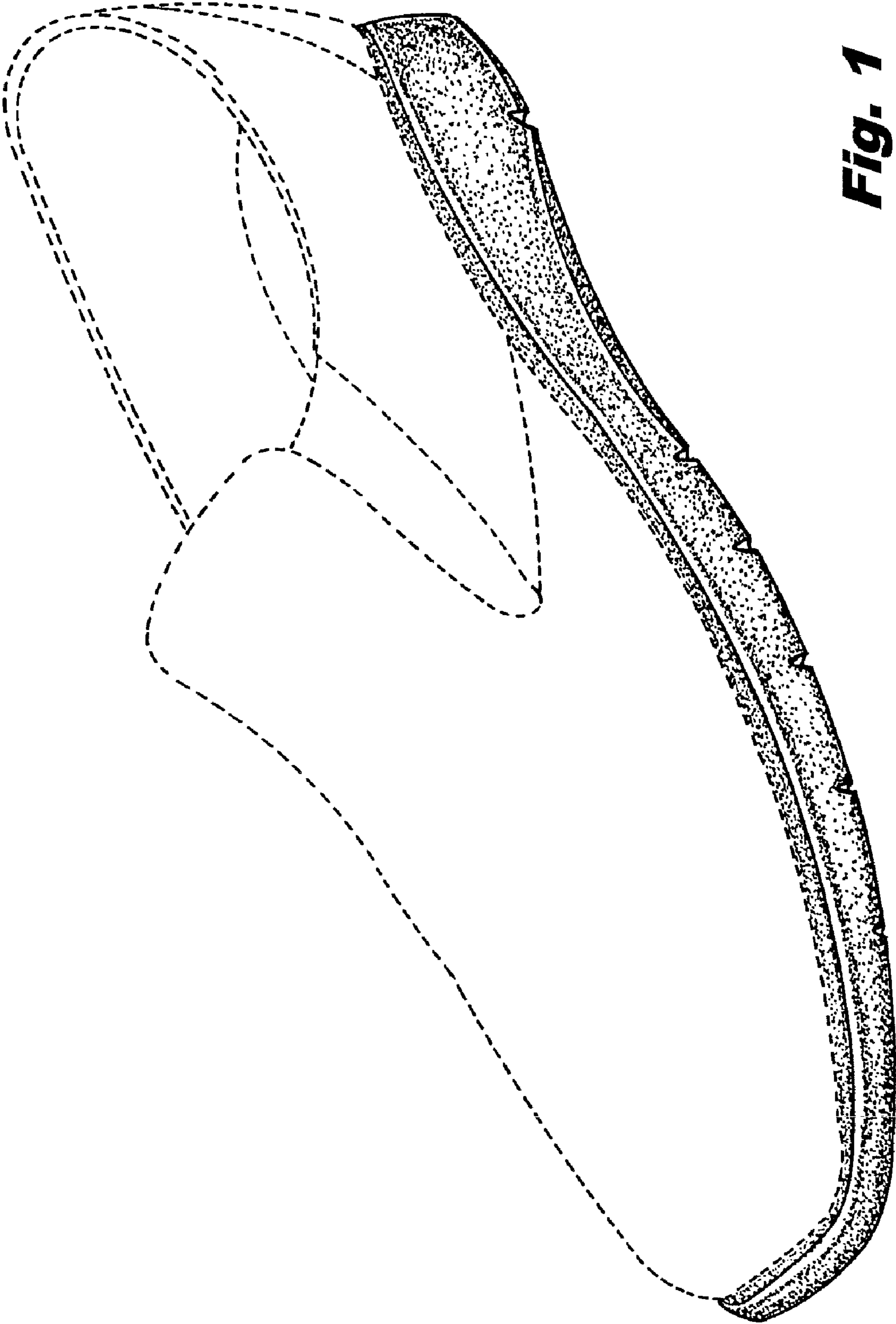


Fig. 1

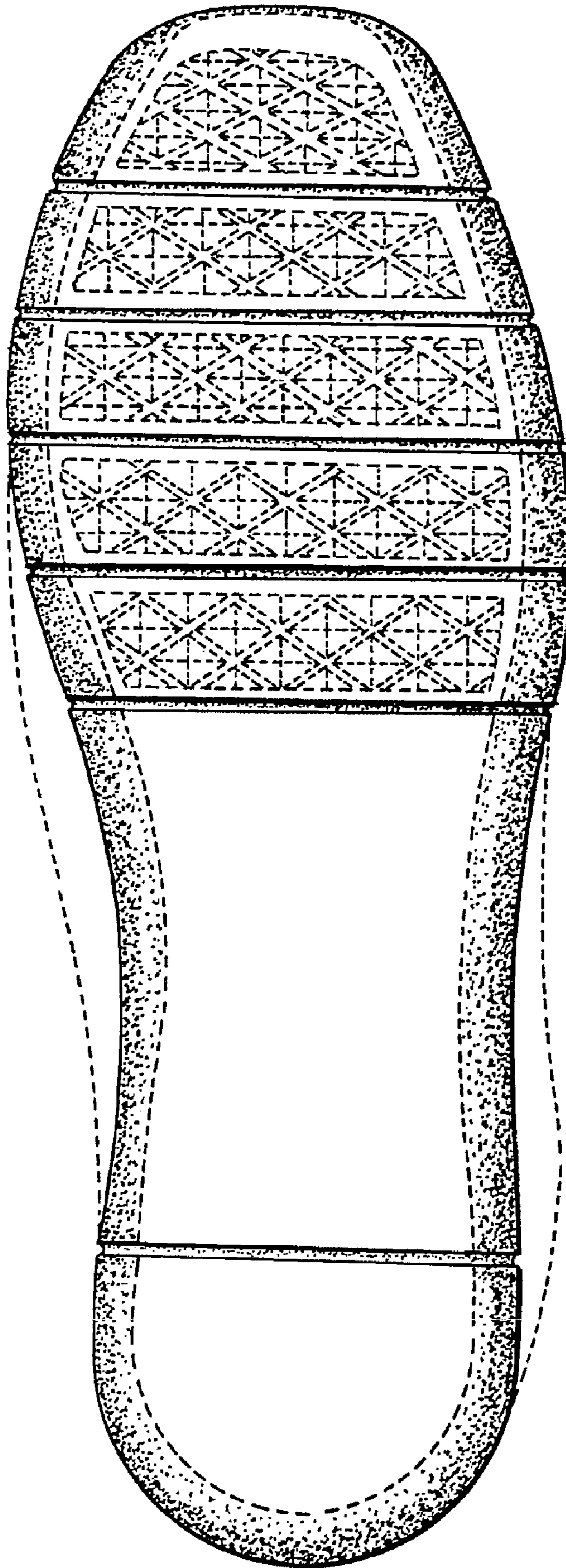


Fig. 2

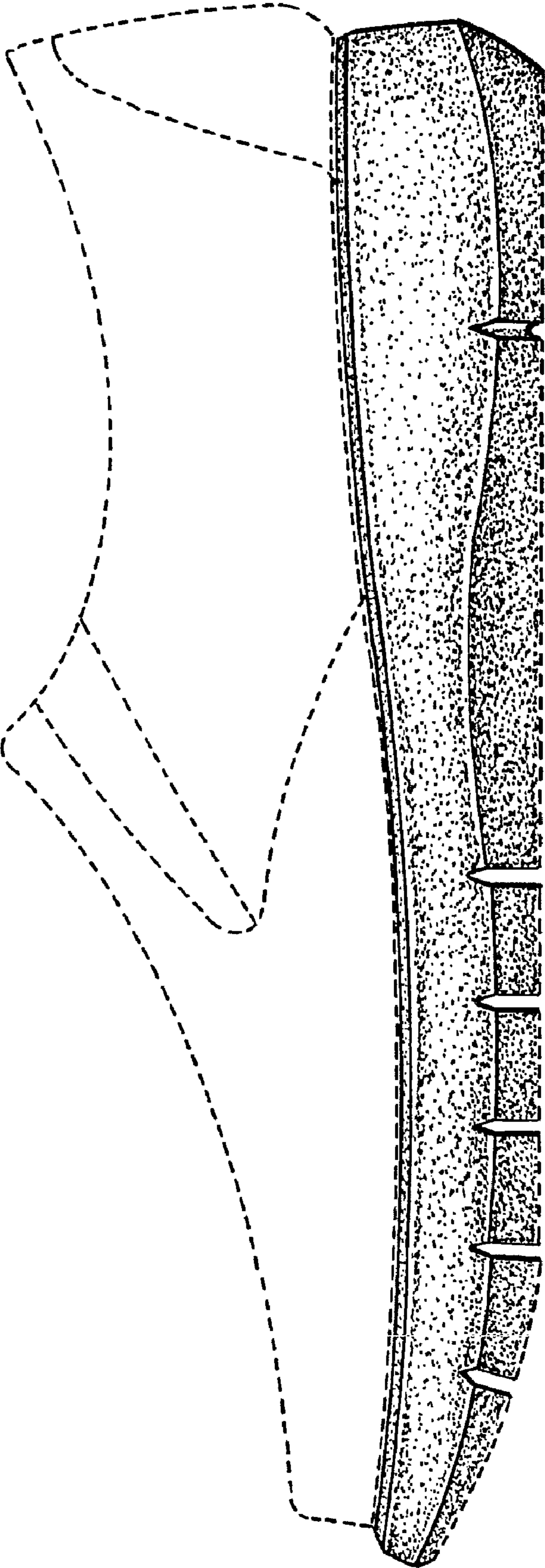
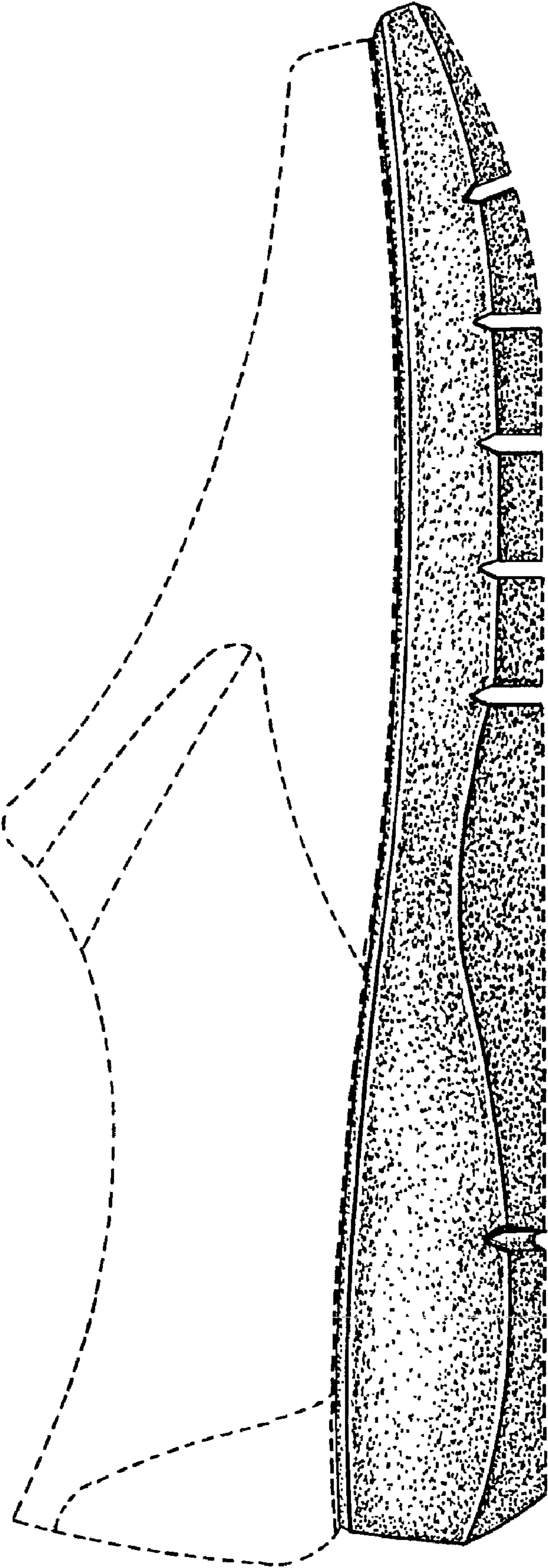


Fig. 3

Fig. 4



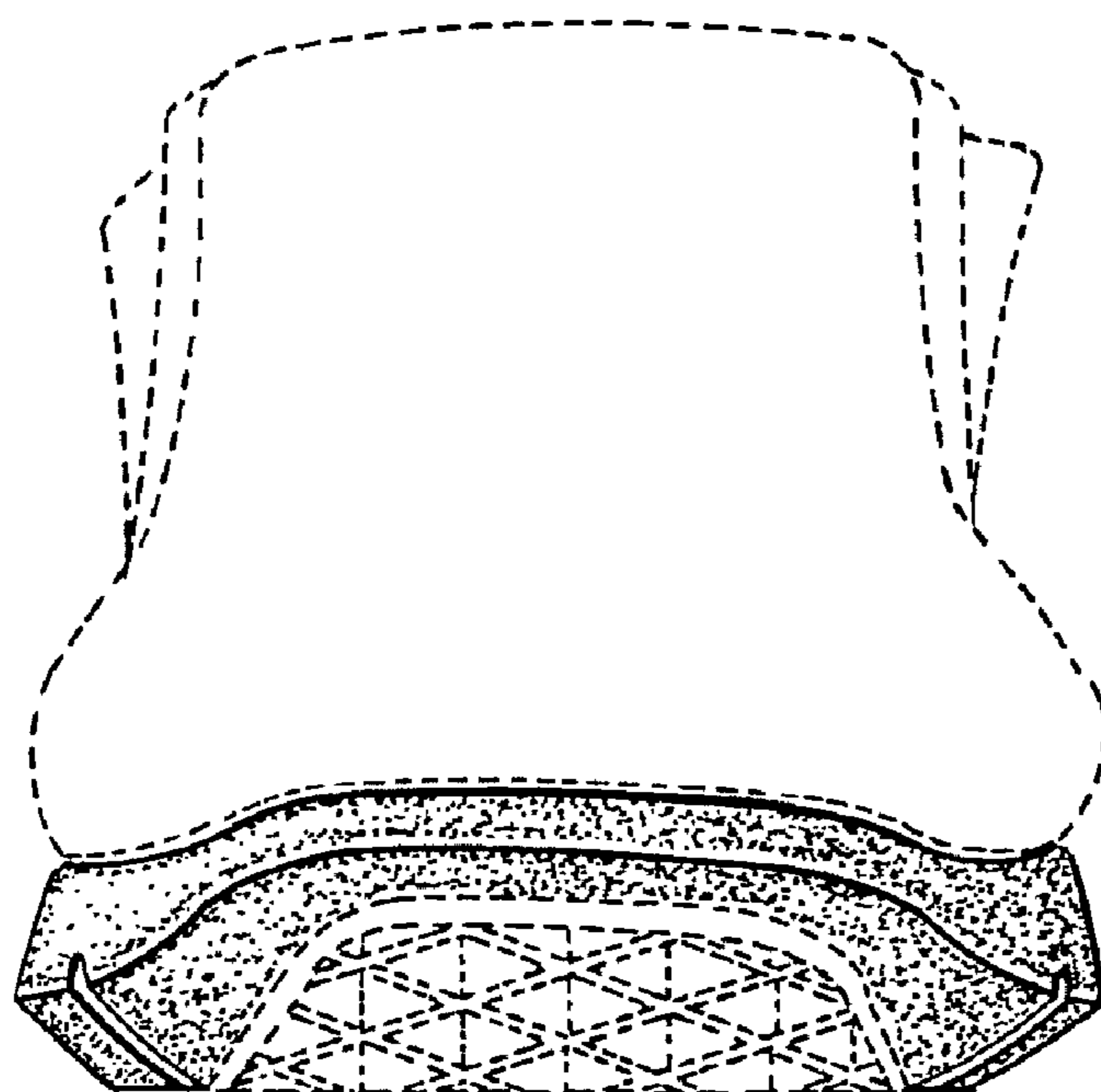


Fig. 5

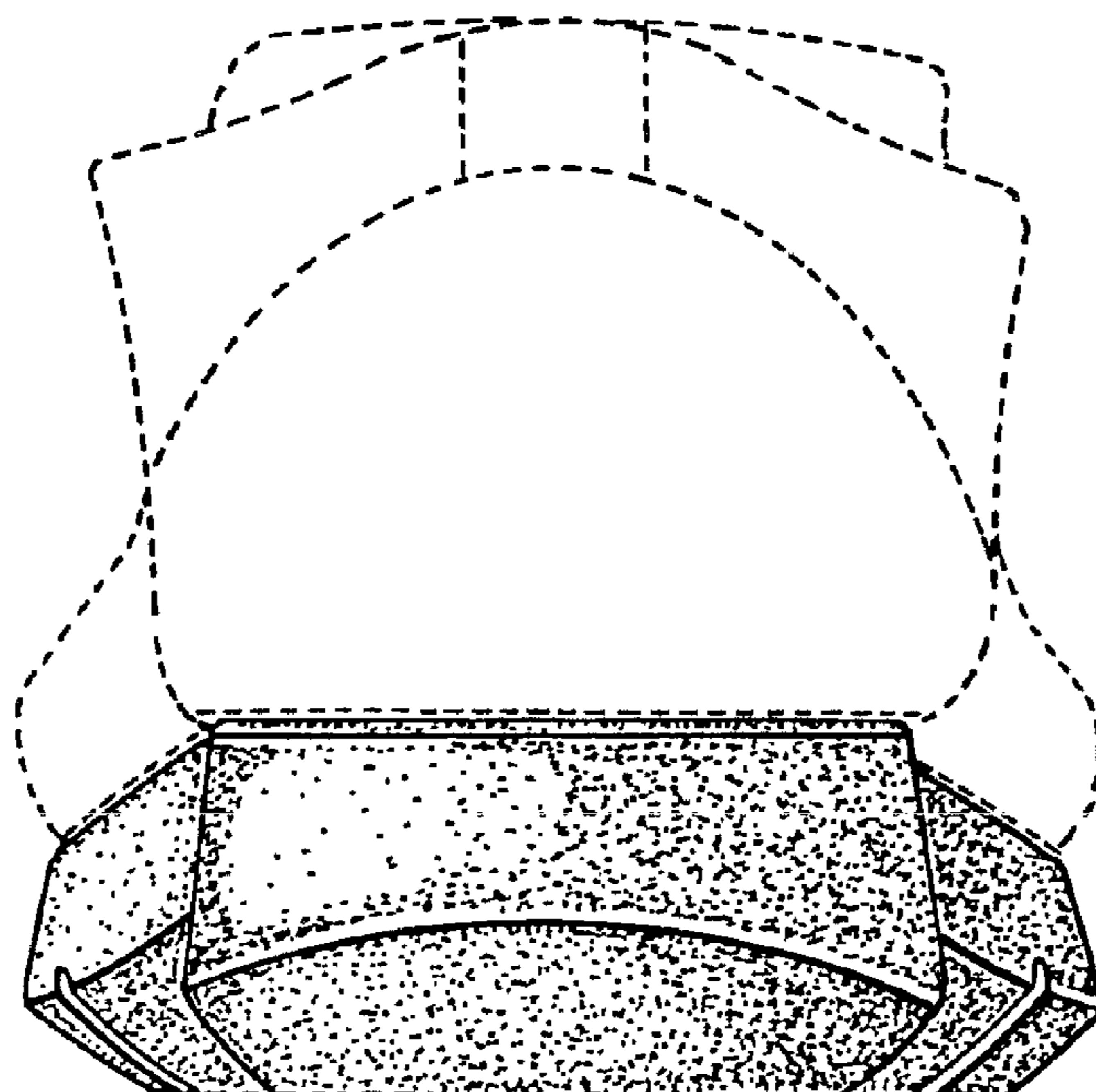


Fig. 6