



US00D611682S

(12) **United States Design Patent**
Cutler

(10) **Patent No.:** **US D611,682 S**

(45) **Date of Patent:** **** Mar. 16, 2010**

(54) **BURP CLOTH**

(76) **Inventor:** **Tracey Cutler**, 3200 Tullio Way,
Henderson, NV (US) 89052

(**) **Term:** **14 Years**

(21) **Appl. No.:** **29/337,671**

(22) **Filed:** **May 27, 2009**

(51) **LOC (9) Cl.** **02-02**

(52) **U.S. Cl.** **D2/860**

(58) **Field of Classification Search** D2/860-862,
D2/500, 502; 2/455, 46, 48, 49.1, 49.4-51;
D6/603, 608, 582, 588, 592

See application file for complete search history.

(56) **References Cited**

U.S. PATENT DOCUMENTS

2,482,182	A	9/1949	Henninger	
2,804,626	A *	9/1957	Rossiter	2/91
2,831,193	A *	4/1958	Terry	2/46
2,955,293	A	10/1960	Peterson	
4,050,099	A *	9/1977	David	2/46
4,697,287	A *	10/1987	Rose	2/48
D303,995	S *	10/1989	Dameron	D2/728
5,008,960	A *	4/1991	Hemming	2/104
5,570,474	A	11/1996	Berry et al.	
5,709,000	A	1/1998	Hansen et al.	
5,819,314	A	10/1998	Jackson	
5,960,471	A	10/1999	Burton	
D465,901	S *	11/2002	Miller	D2/861
D469,594	S *	2/2003	Raniere	D2/502

D482,846	S *	12/2003	Miller	D2/861
D492,091	S *	6/2004	Nakama-Mitsunaga	D2/861
7,082,617	B1	8/2006	Poindexter et al.	
7,316,035	B2	1/2008	Archambault	
D585,631	S *	2/2009	Barclay	D2/861
2005/0066405	A1	3/2005	Babiak	

FOREIGN PATENT DOCUMENTS

JP 2007063731 A * 3/2007

* cited by examiner

Primary Examiner—Ian Simmons

Assistant Examiner—R. Johnson

(74) *Attorney, Agent, or Firm*—Greenberg Traurig

(57) **CLAIM**

The ornamental design for a burp cloth, as shown and described.

DESCRIPTION

FIG. 1 shows a perspective top view of a first embodiment of a burp cloth;

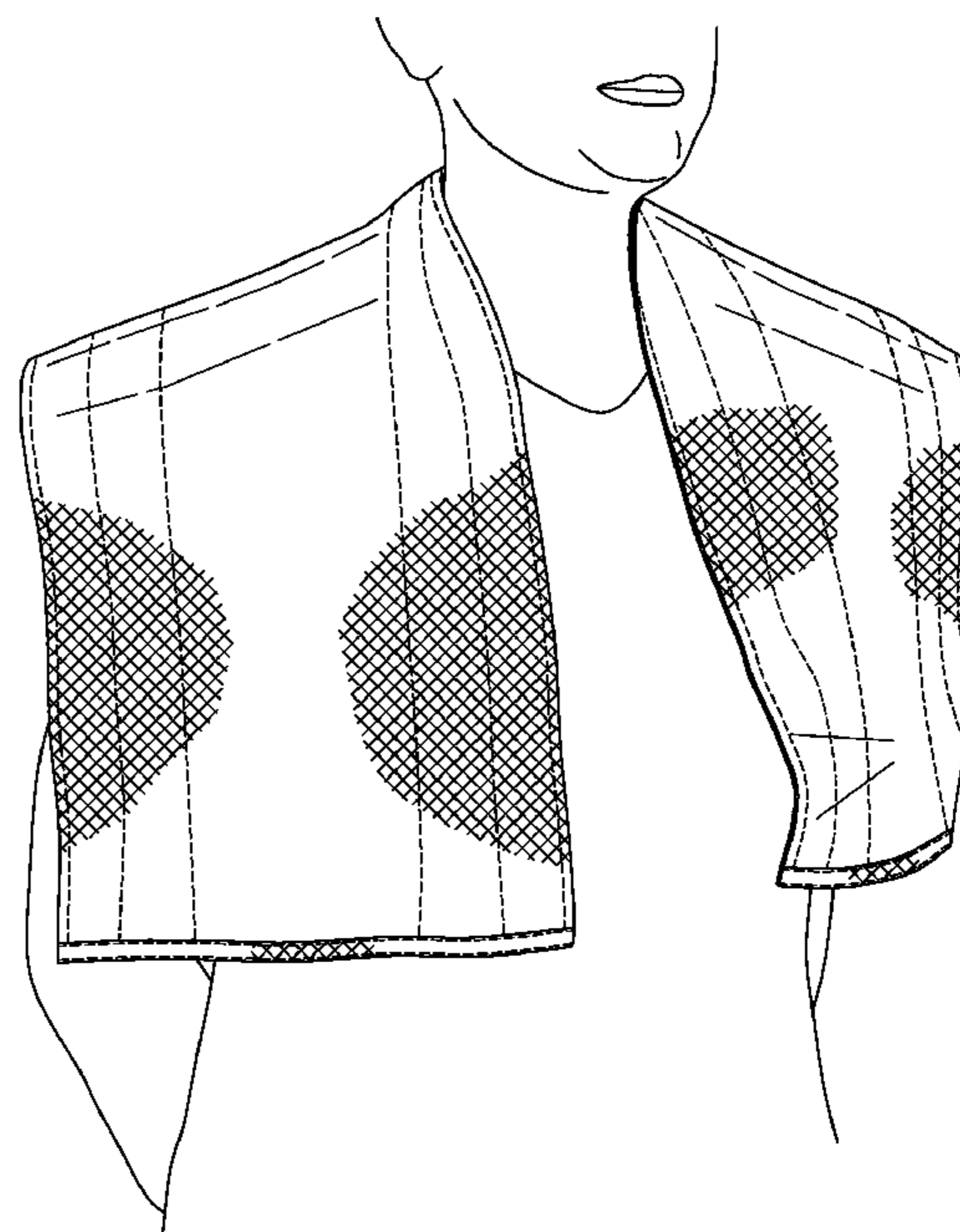
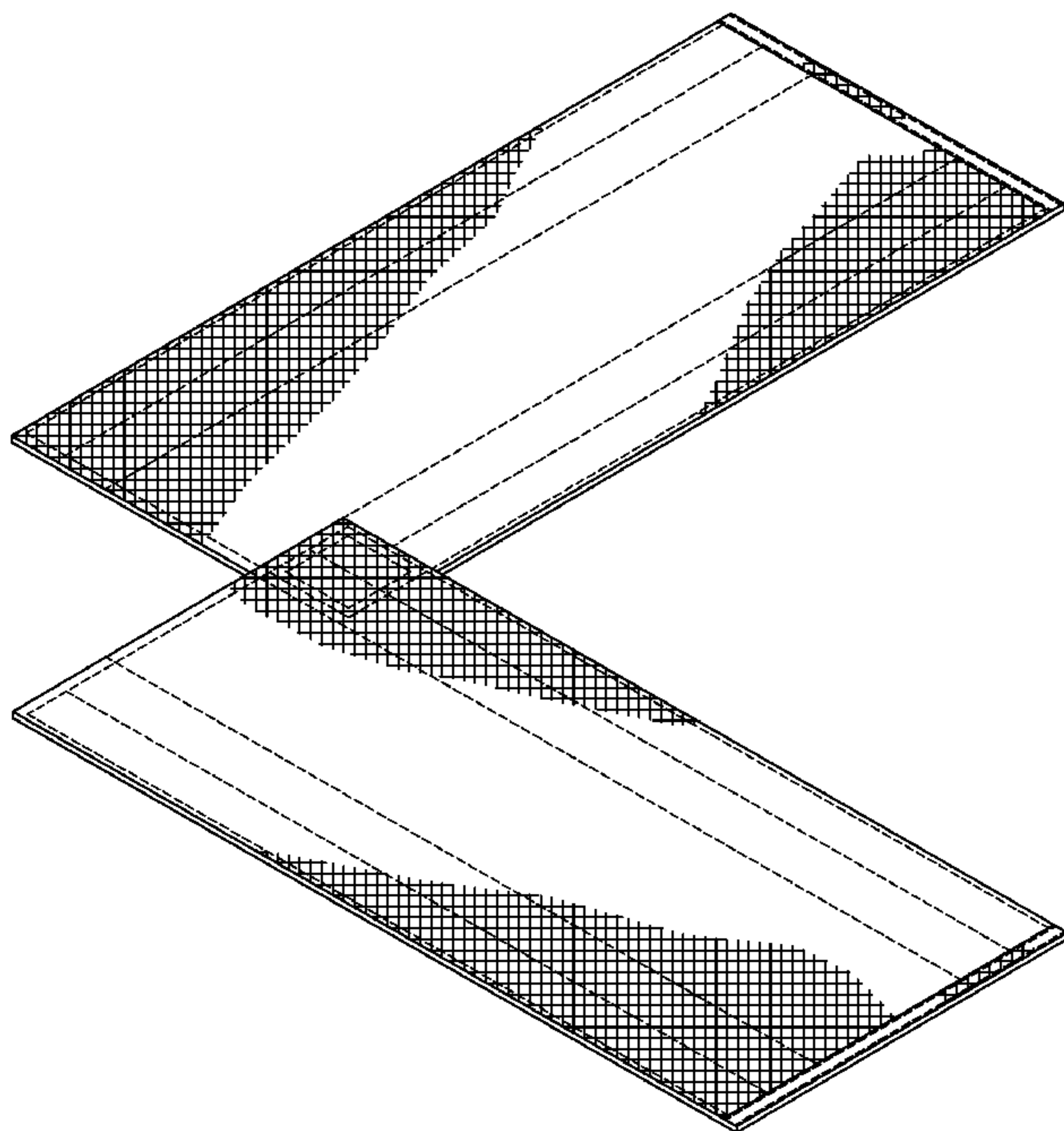
FIG. 2 shows a top view of the first embodiment of the burp cloth;

FIG. 3 shows a bottom view of the first embodiment of the burp cloth;

FIG. 4 shows a perspective bottom view of the first embodiment of the burp cloth; and,

FIG. 5 shows the first embodiment of the burp cloth being worn by a user.

1 Claim, 5 Drawing Sheets



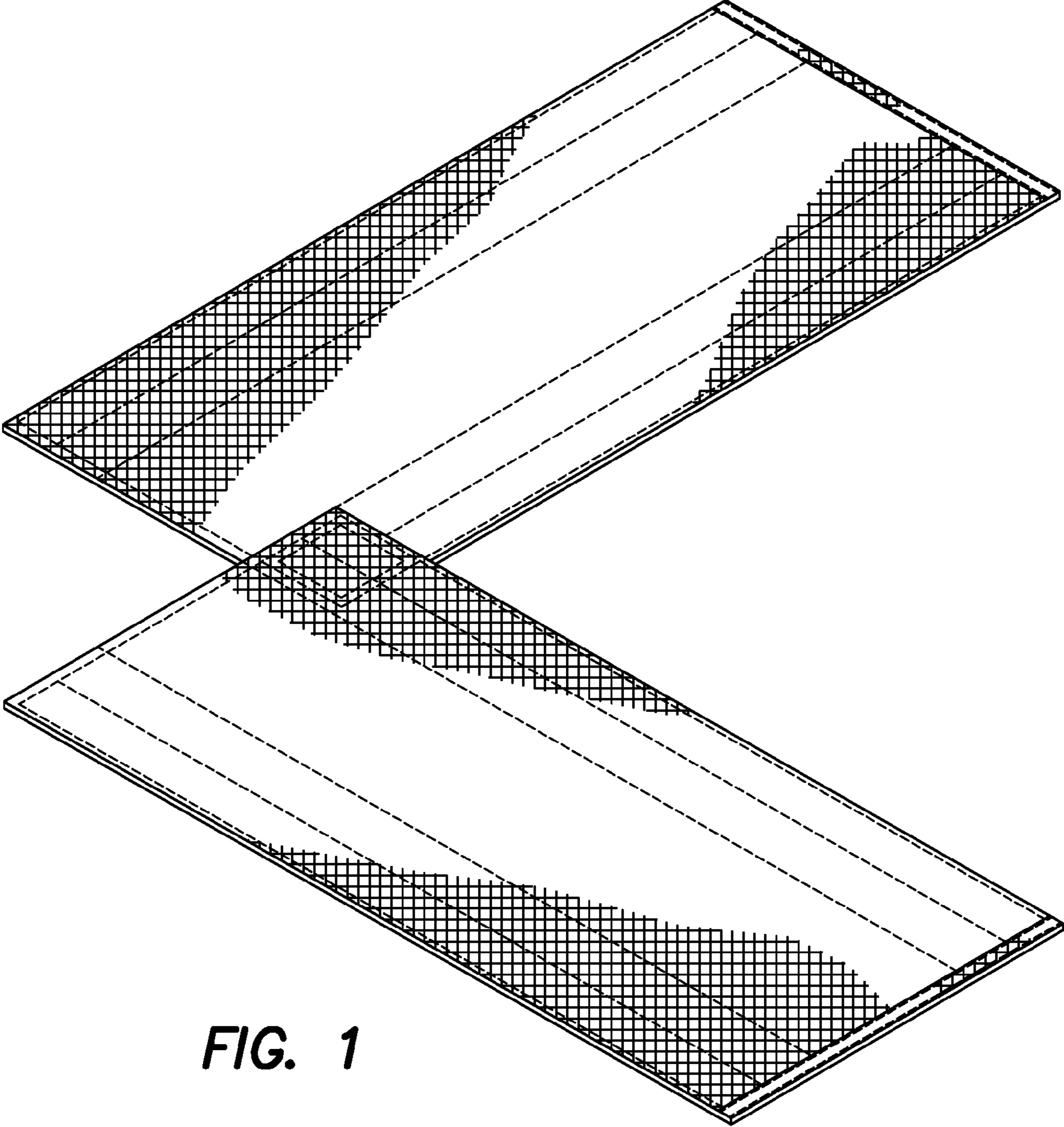


FIG. 1

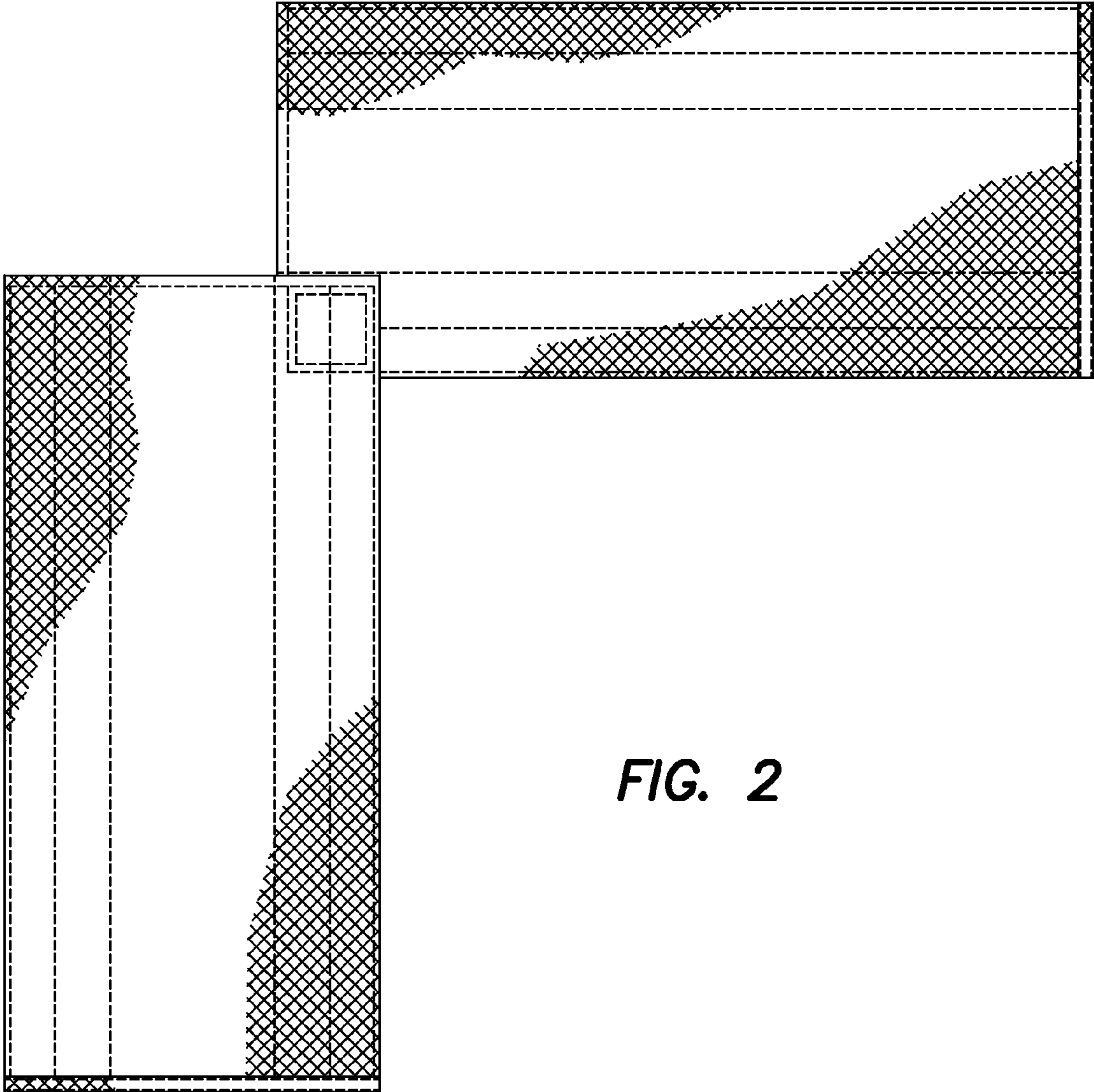
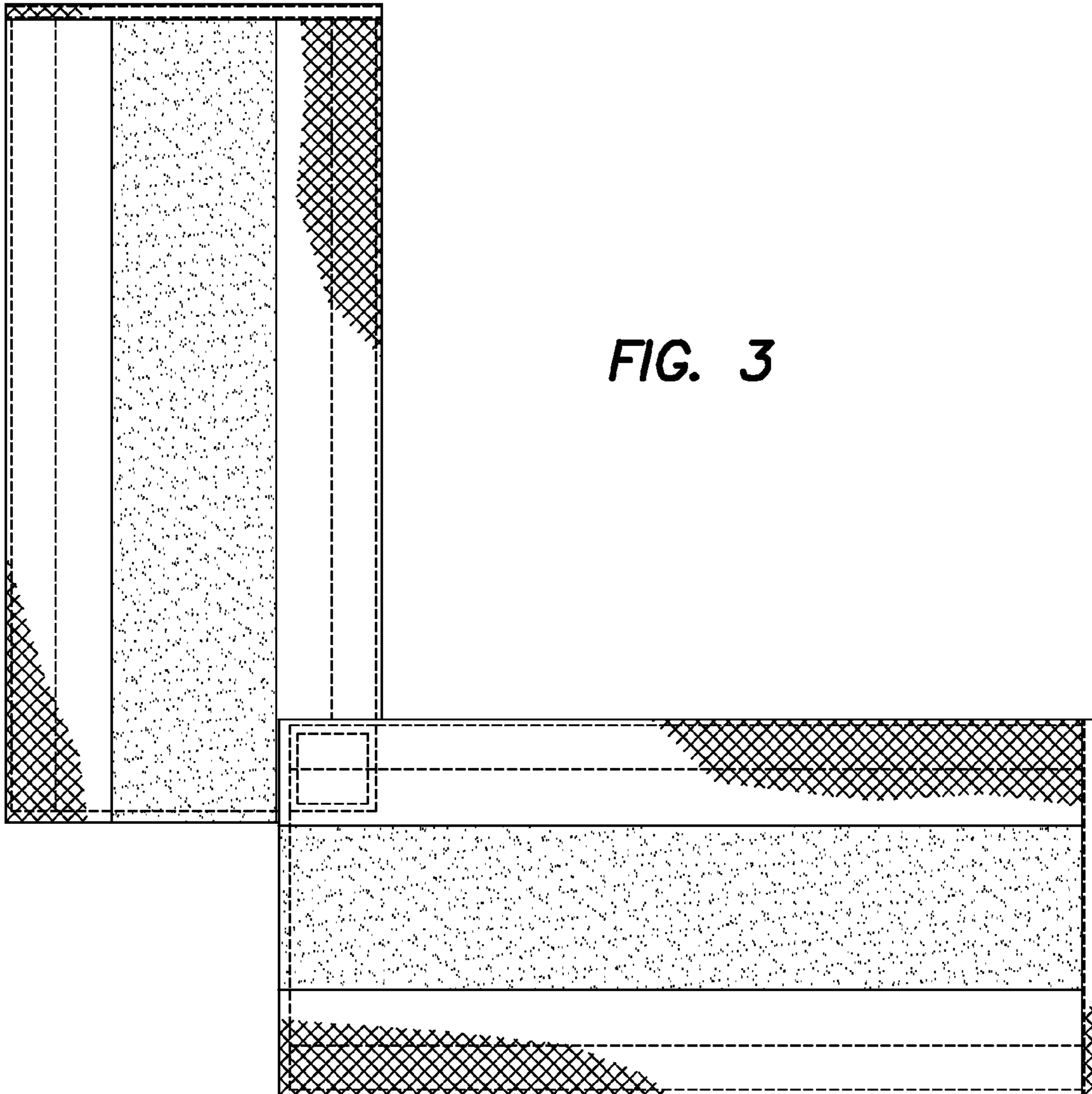


FIG. 2



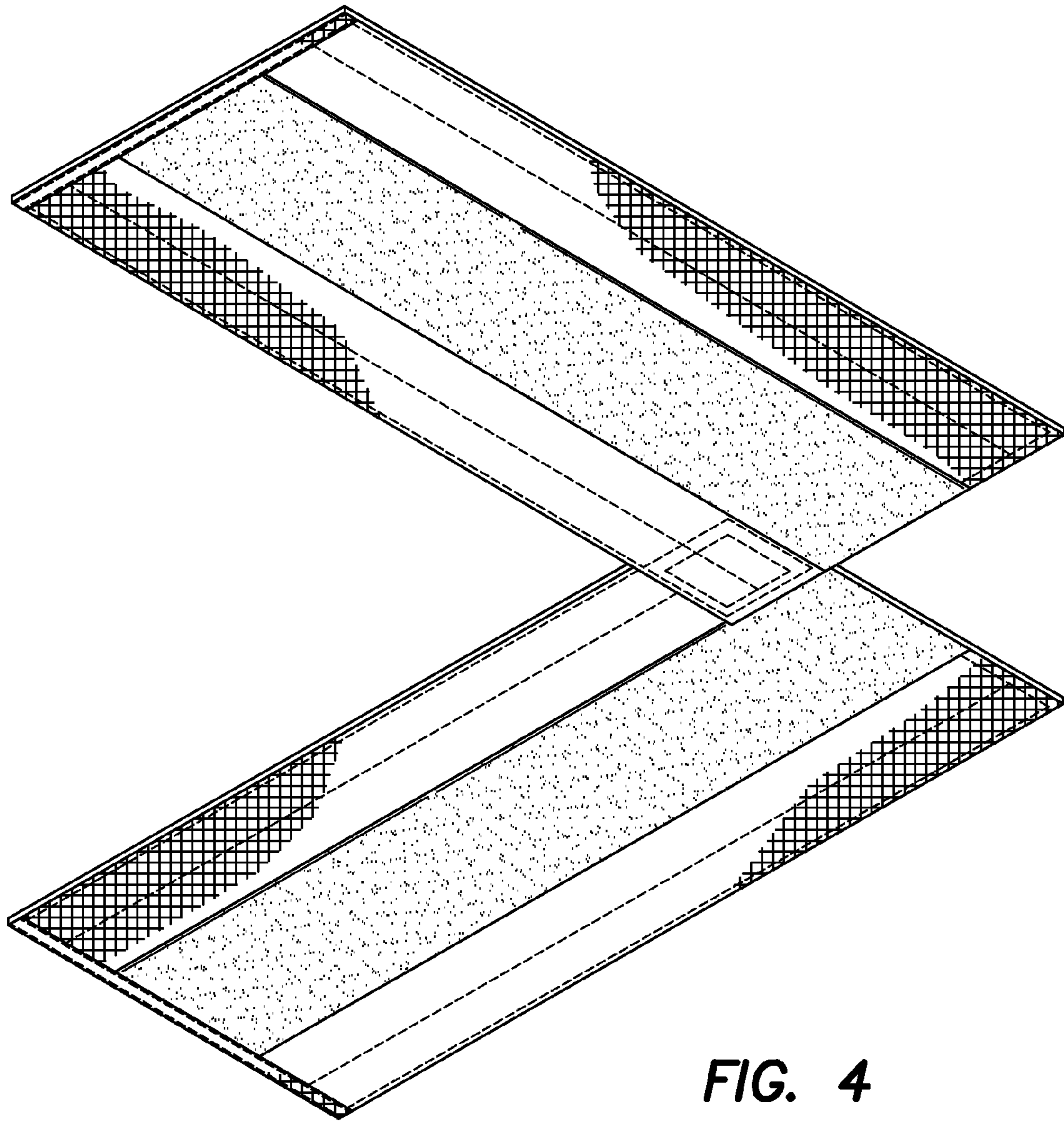


FIG. 4

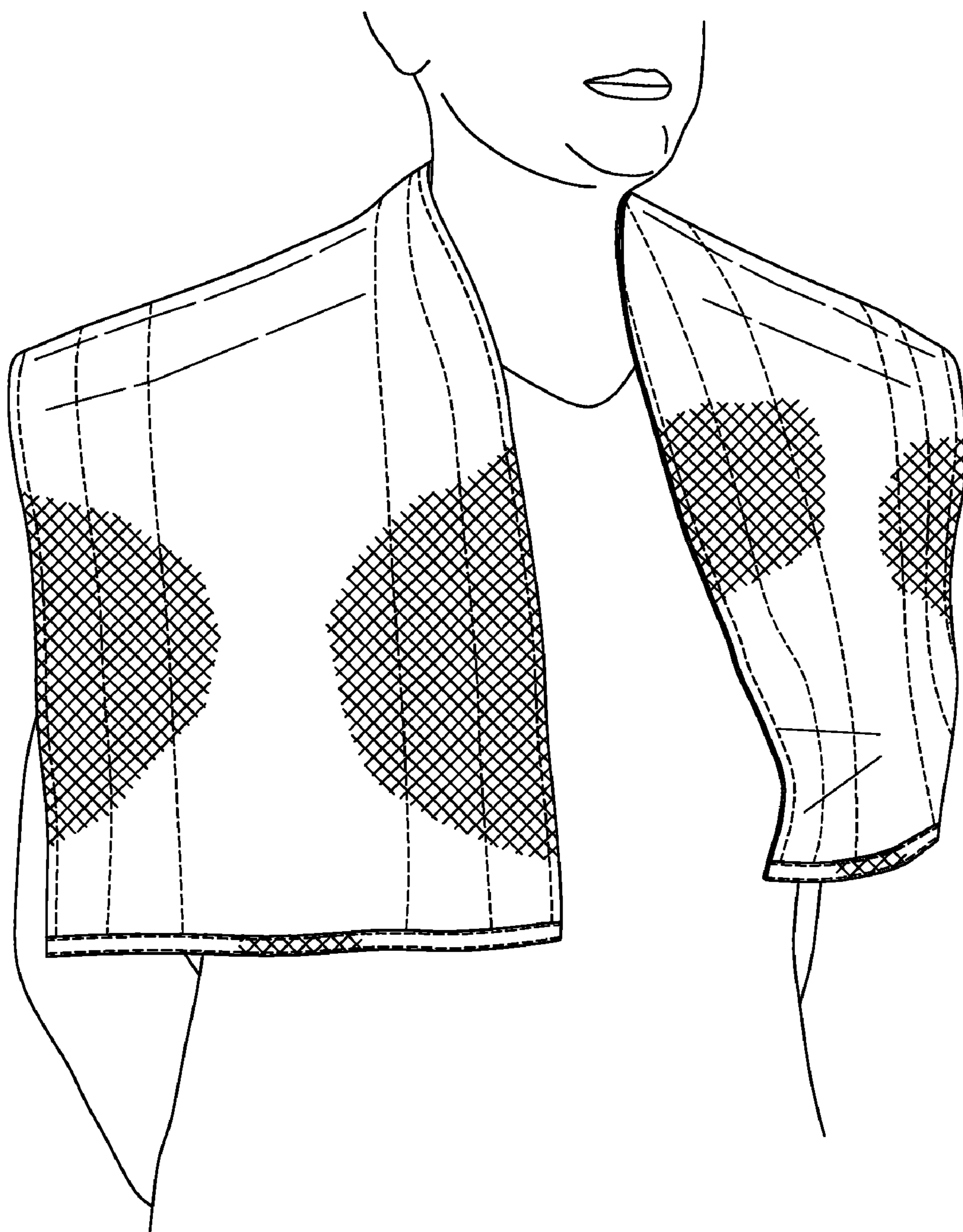


FIG. 5