



US00D611680S

(12) **United States Design Patent**
Thomas

(10) **Patent No.:** **US D611,680 S**
(45) **Date of Patent:** **** Mar. 16, 2010**

(54) **VEST-BACKPACK**

(75) Inventor: **Anastasia Thomas**, Dix Hills, NY (US)

(73) Assignee: **Fast Forward LLC**, New York, NY (US)

(**) Term: **14 Years**

(21) Appl. No.: **29/310,251**

(22) Filed: **Aug. 5, 2008**

(51) **LOC (9) Cl.** **03-01**

(52) **U.S. Cl.** **D2/830; D2/829; D3/216; D3/217**

(58) **Field of Classification Search** **D2/829, D2/830; D3/214, 215, 216, 217, 270; 224/153, 224/577, 578**

See application file for complete search history.

(56) **References Cited**

U.S. PATENT DOCUMENTS

1,426,024 A * 8/1922 Thureson 2/94

(Continued)

Primary Examiner—Celia A Murphy

(74) *Attorney, Agent, or Firm*—Ostrolenk Faber LLP

(57) **CLAIM**

The ornamental design for a vest-backpack, as shown and described.

DESCRIPTION

FIG. 1 is a perspective view of a vest-backpack showing my new design in accordance with a first embodiment;

FIG. 2 is a front elevational view of the vest-backpack in accordance with the first embodiment;

FIG. 3 is a left side view of the vest-backpack in accordance with the first embodiment;

FIG. 4 is a right side view of the vest-backpack in accordance with the first embodiment;

FIG. 5 is a rear elevational view of the vest-backpack in accordance with the first embodiment;

FIG. 6 is a top elevational view of the vest-backpack in accordance with the first embodiment;

FIG. 7 is a bottom elevational view of the vest-backpack in accordance with the first embodiment;

FIG. 8 is a perspective view of the vest-backpack in accordance with a second embodiment;

FIG. 9 is a front elevational view of the vest-backpack in accordance with the second embodiment;

FIG. 10 is a left side view of the vest-backpack in accordance with the second embodiment;

FIG. 11 is a right side view of the vest-backpack in accordance with the second embodiment;

FIG. 12 is a rear elevational view of the vest-backpack in accordance with the second embodiment;

FIG. 13 is a top elevational view of the vest-backpack in accordance with the second embodiment;

FIG. 14 is a bottom elevational view of the vest pack in accordance with the second embodiment;

FIG. 15 is a perspective view of the vest-backpack in accordance with a third embodiment;

FIG. 16 is a front elevational view of the vest-backpack in accordance with the third embodiment;

FIG. 17 is a left side view of the vest-backpack in accordance with the third embodiment;

FIG. 18 is a right side view of the vest-backpack in accordance with the third embodiment;

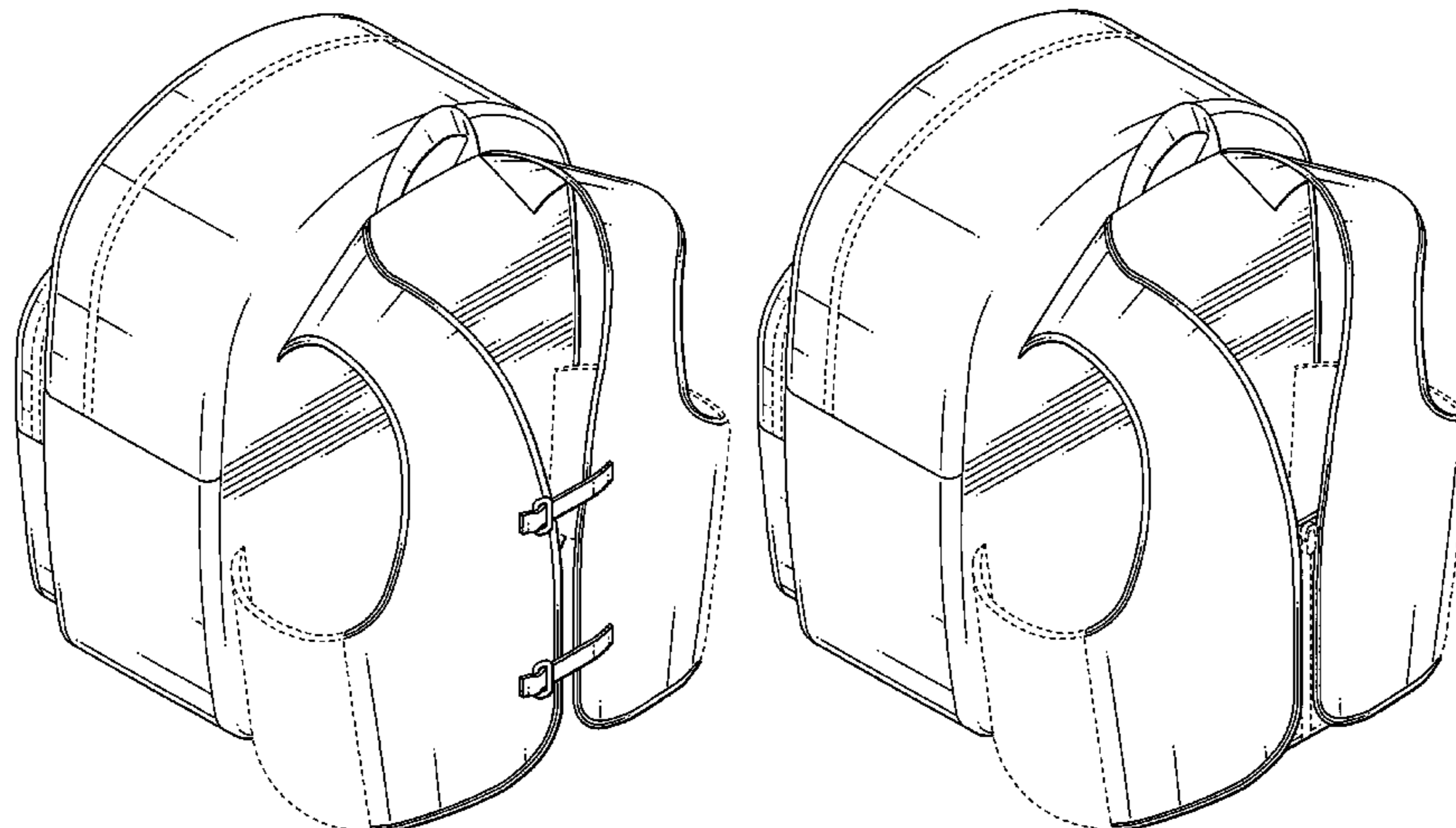
FIG. 19 is a rear elevational view of the vest-backpack in accordance with the third embodiment;

FIG. 20 is a top elevational view of the vest-backpack in accordance with the third embodiment; and,

FIG. 21 is a bottom elevational view of the vest-backpack in accordance with the third embodiment.

The broken lines in the drawings illustrate environmental structure and form no part of the design.

1 Claim, 21 Drawing Sheets



US D611,680 S

Page 2

U.S. PATENT DOCUMENTS

2,165,348	A *	7/1939	Daiber	2/94				
2,667,996	A *	2/1954	Fanelli	224/153				
2,970,316	A *	2/1961	Silin	2/94				
D232,869	S *	9/1974	Yoshimura	D3/217				
4,057,854	A *	11/1977	Phelps, Sr.	2/128				
D250,226	S *	11/1978	Shaw	D2/830				
4,262,832	A *	4/1981	Perkins	224/605				
D269,561	S *	7/1983	Scott	D2/829				
4,449,655	A *	5/1984	Germe	224/153				
D278,089	S *	3/1985	Day	D2/829				
4,669,127	A *	6/1987	Swanson	2/46				
4,918,790	A *	4/1990	Cirket et al.	24/71 R				
D315,632	S *	3/1991	Boyle	D2/829				
D315,978	S *	4/1991	Scott	D2/829				
D316,172	S *	4/1991	Hanson	D2/829				
5,020,941	A *	6/1991	Bulin et al.	405/186				
D332,171	S *	1/1993	Gudas et al.	D2/830				
5,195,187	A *	3/1993	Yang	2/102				
D340,134	S *	10/1993	Pollack	D3/217				
D352,165	S *	11/1994	Covertson	D3/217				
D355,752	S *	2/1995	Abbott	D2/857				
D357,342	S *	4/1995	Gelinas et al.	D2/830				
D361,115	S *	8/1995	Lucius	D21/805				
D369,899	S *	5/1996	Regan et al.	D2/830				
5,526,969	A *	6/1996	Greenberger	224/153				
D386,887	S *	12/1997	Hambas	D2/830				
D399,637	S *	10/1998	Suding	D2/839				
D414,014	S *	9/1999	Blankenship, Jr.	D2/830				
D422,665	S *	4/2000	Steger	D21/805				
D426,051	S *	6/2000	Bugel et al.	D2/830				
D426,056	S *	6/2000	Gaines et al.	D3/217				
6,087,815	A *	7/2000	Pfeifer et al.	323/282				
D428,696	S *	8/2000	Fier	D3/217				
6,095,389	A *	8/2000	Fenton et al.	224/627				
6,131,199	A *	10/2000	Bugel et al.	2/102				
6,164,509	A *	12/2000	Gausling et al.	224/627				
D439,029	S *	3/2001	Goldman	D2/831				
6,324,697	B1	12/2001	Shofner					
6,330,720	B1 *	12/2001	Steelman	2/93				
D453,055	S *	1/2002	Ode	D29/101.4				
6,336,222	B1	1/2002	Ware					
D457,307	S *	5/2002	Pukall et al.	D3/217				
6,394,328	B1	5/2002	Zakaran					
6,397,392	B1 *	6/2002	Wooley et al.	2/102				
D461,037	S *	8/2002	Shutsa et al.	D2/830				
6,619,519	B1	9/2003	Nix et al.					
D498,585	S *	11/2004	Darling	D3/216				
7,000,255	B1 *	2/2006	Baacke	2/94				
7,165,271	B2 *	1/2007	Elen	2/85				
D548,891	S *	8/2007	Boord	D29/101.1				
D551,442	S *	9/2007	Nash	D3/213				
D554,364	S *	11/2007	Rugg	D3/217				
D556,447	S *	12/2007	Tenani et al.	D3/216				
D566,927	S *	4/2008	Graham	D2/828				
D575,931	S *	9/2008	Broudy	D2/839				
D585,603	S *	1/2009	O'Connor et al.	D29/101.4				
D594,633	S *	6/2009	Floyd	D2/829				
2002/0040493	A1 *	4/2002	Wooley et al.	2/102				
2003/0033658	A1 *	2/2003	Hinnant	2/93				
2008/0149673	A1 *	6/2008	Slater	224/153				
2009/0163095	A1 *	6/2009	Weinel et al.	441/114				

* cited by examiner

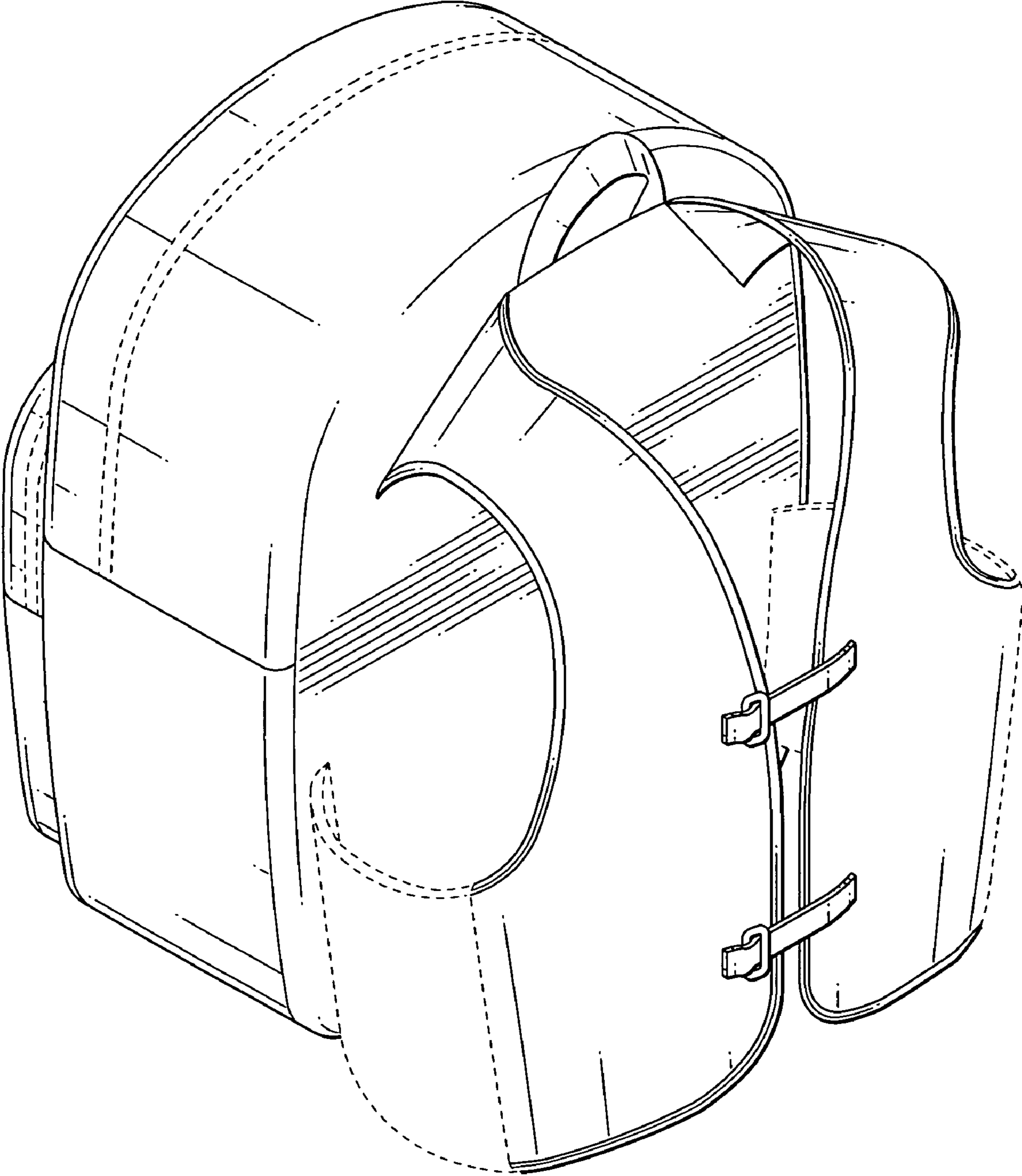


FIG. 1

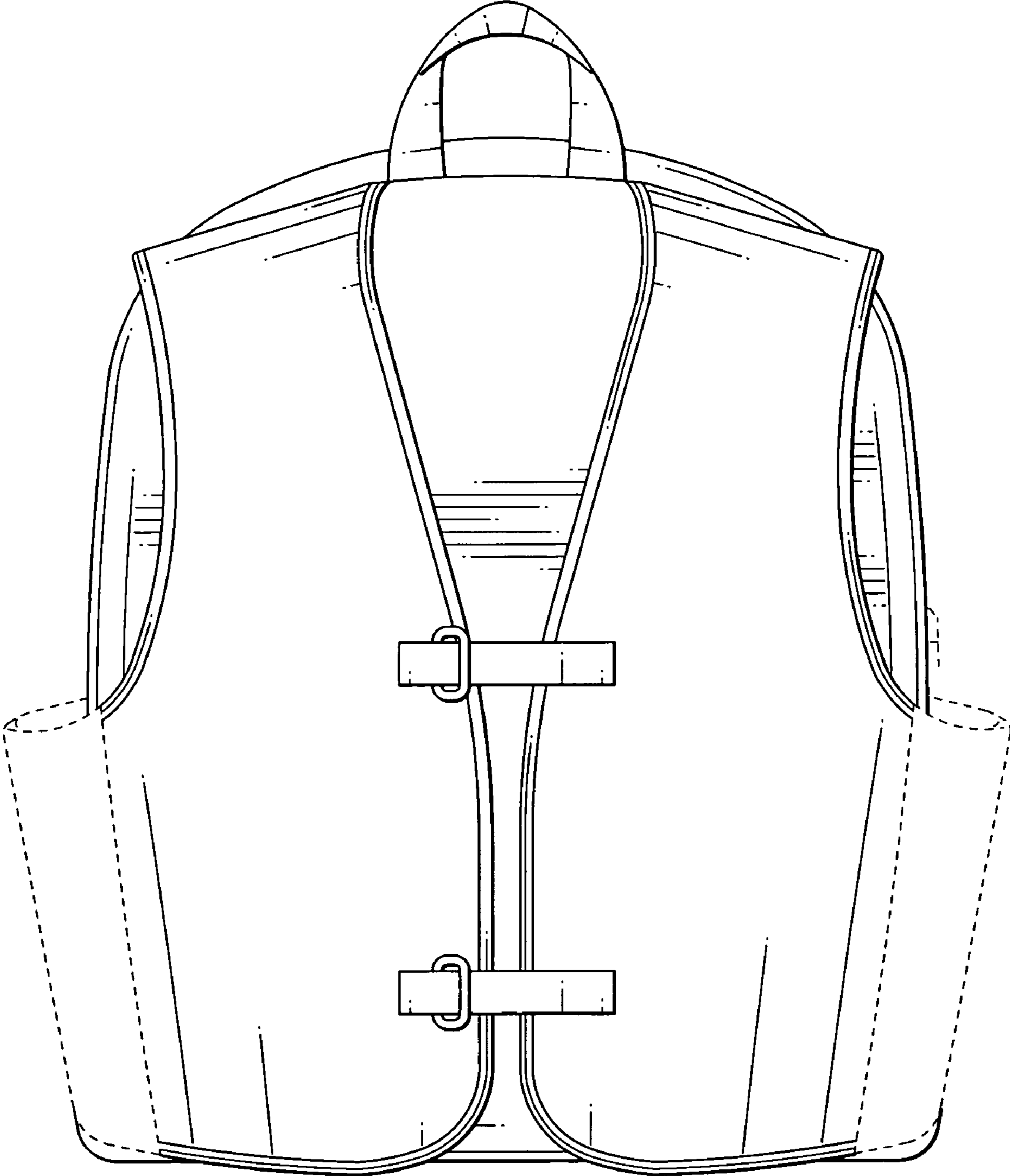


FIG. 2

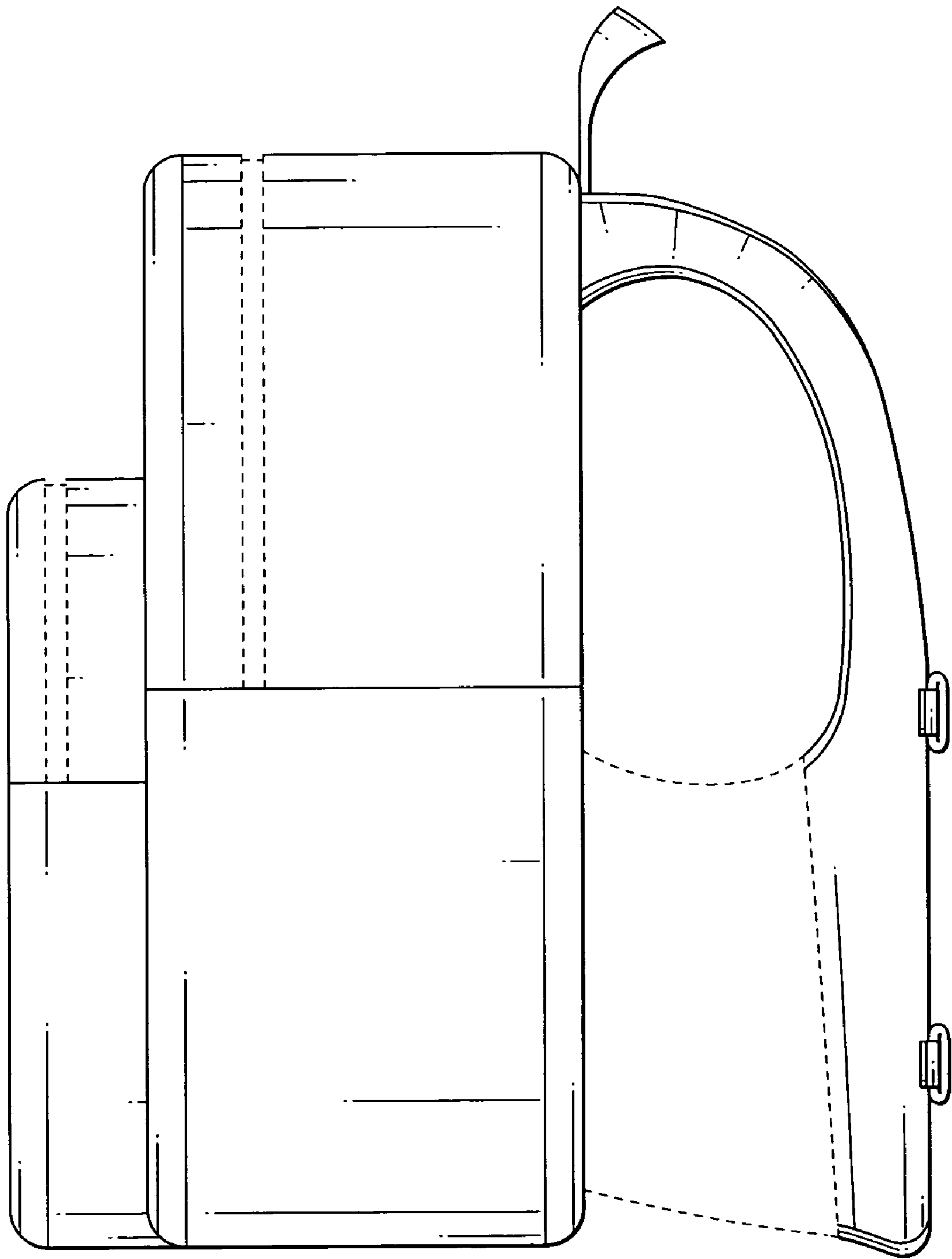


FIG. 3

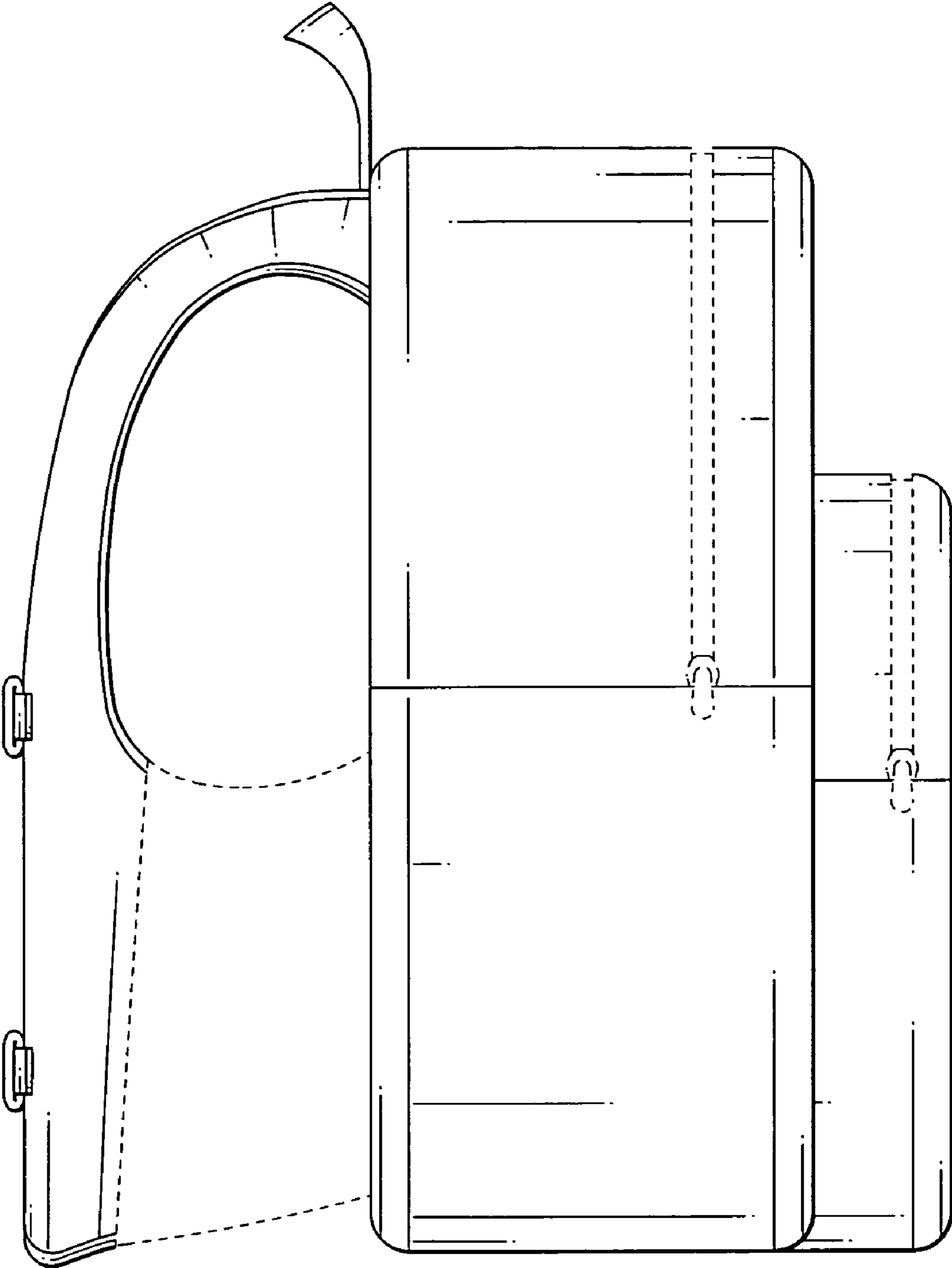


FIG. 4

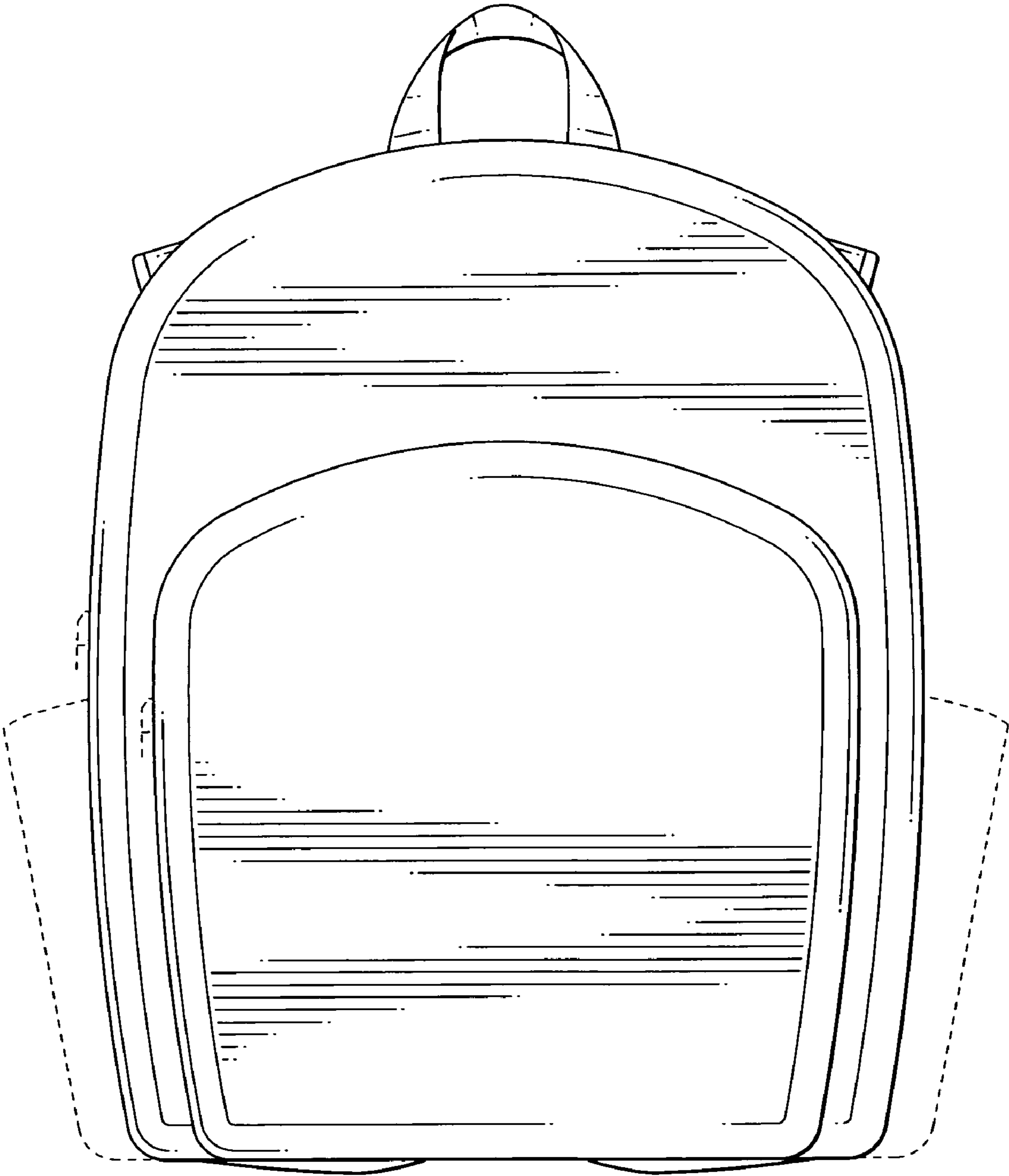


FIG. 5

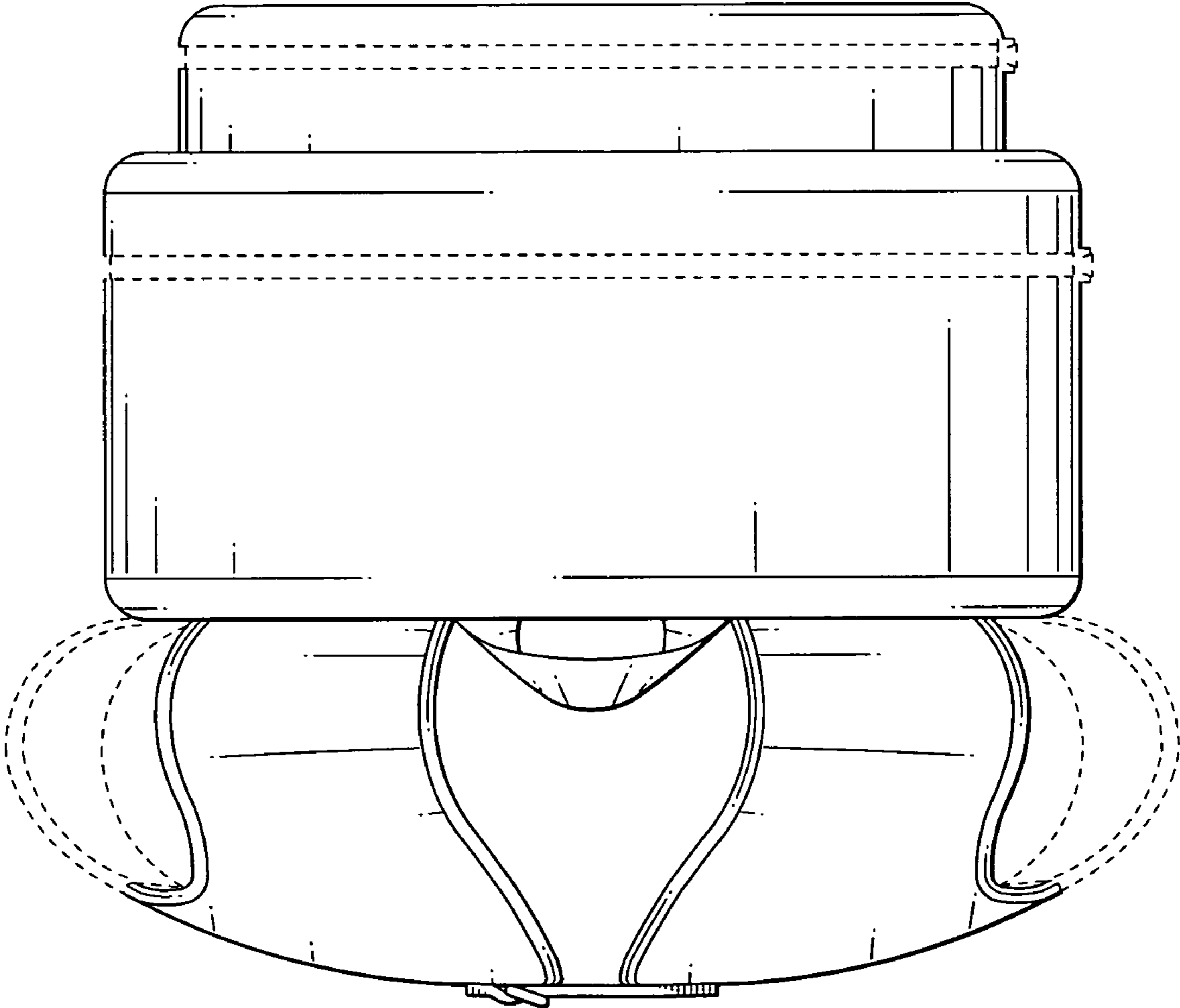


FIG. 6

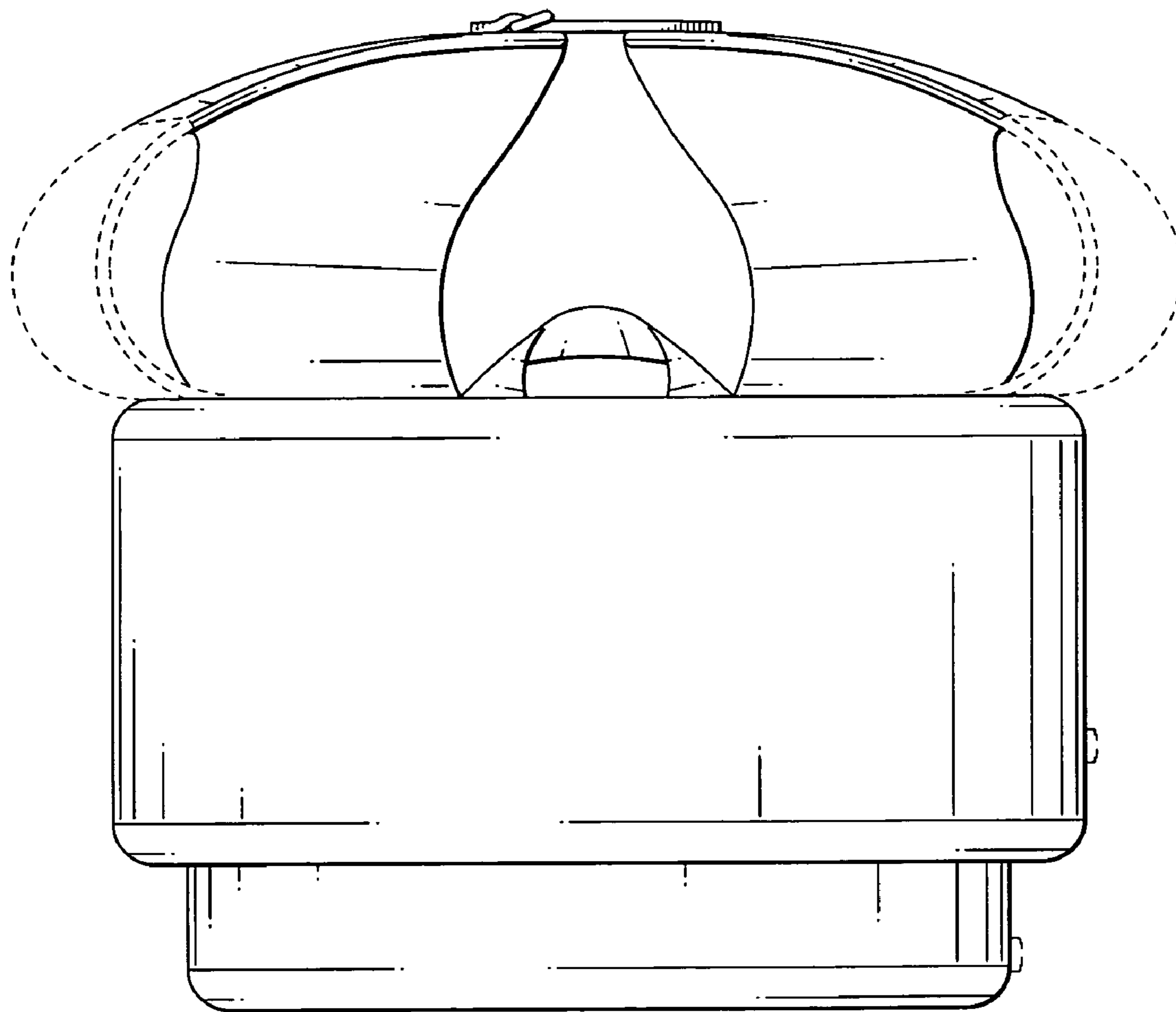


FIG. 7

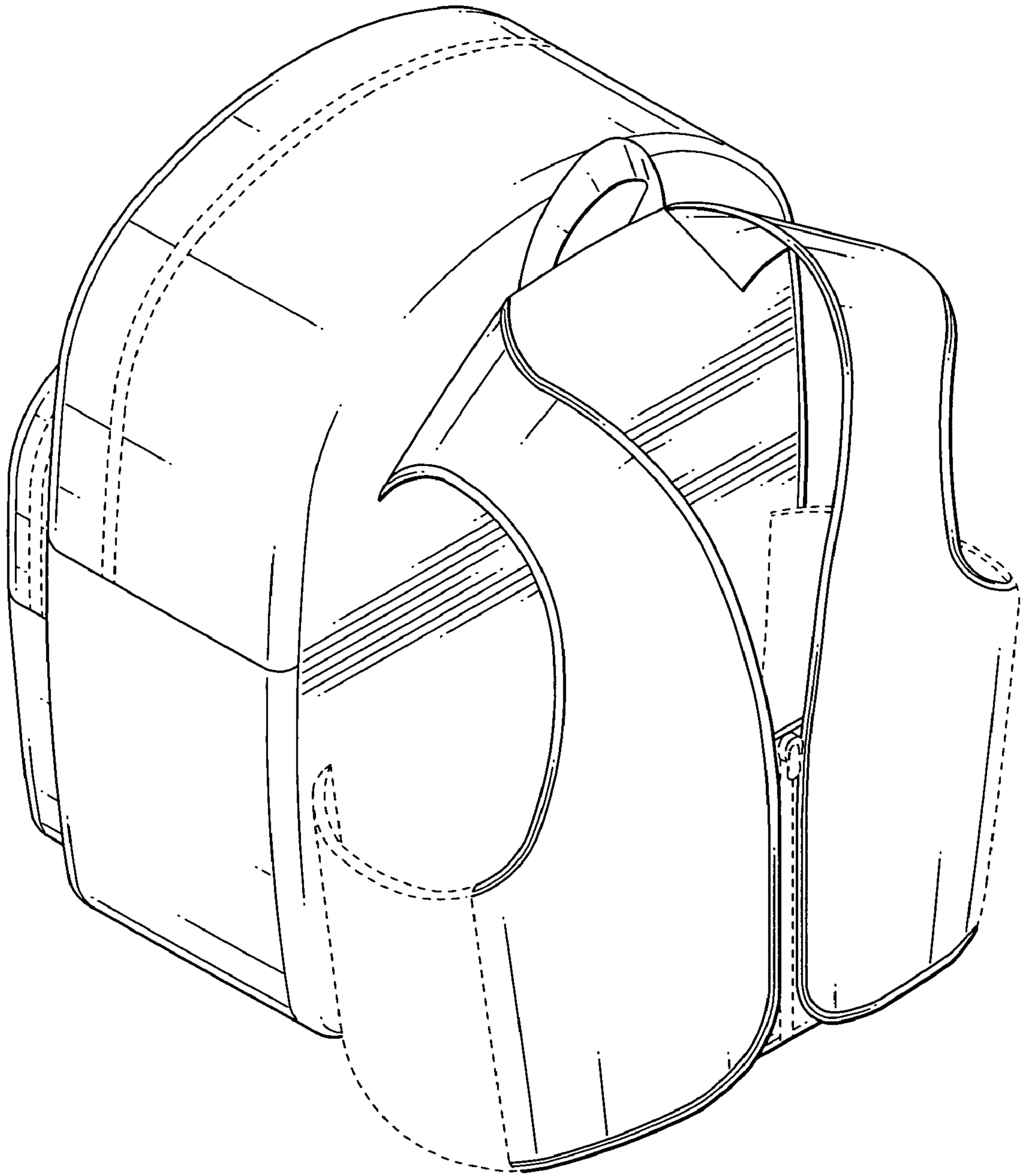


FIG. 8

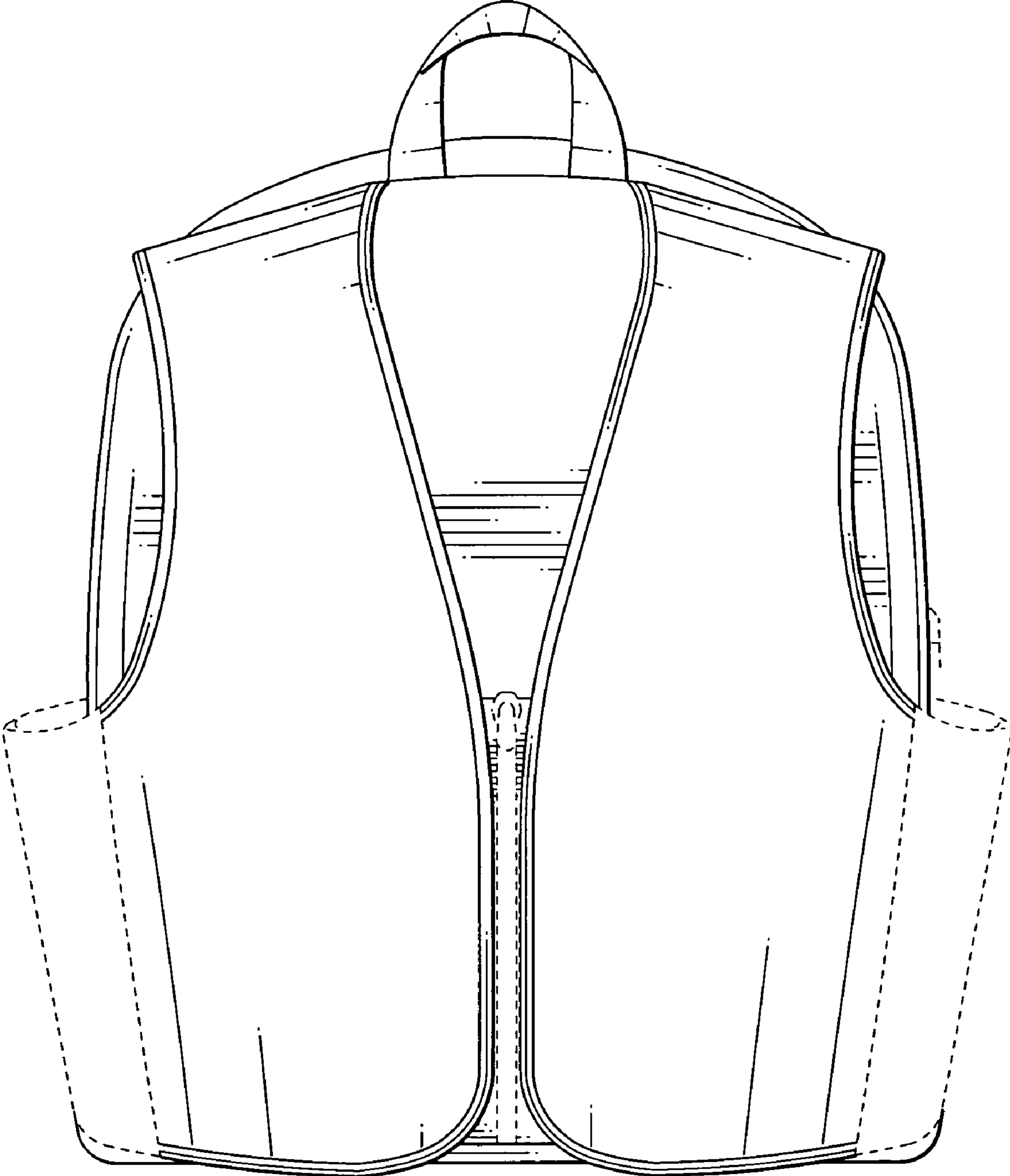


FIG. 9

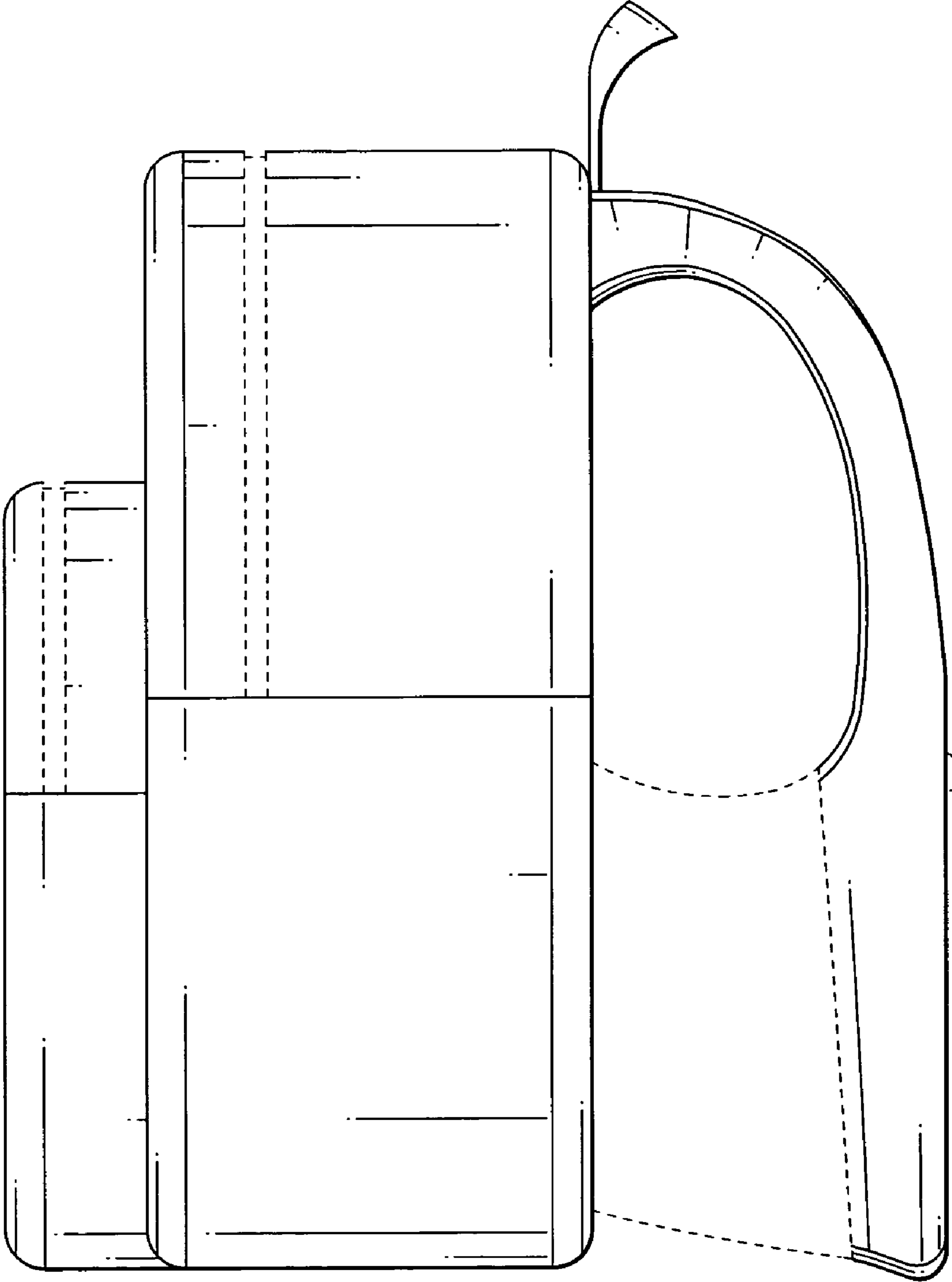


FIG. 10

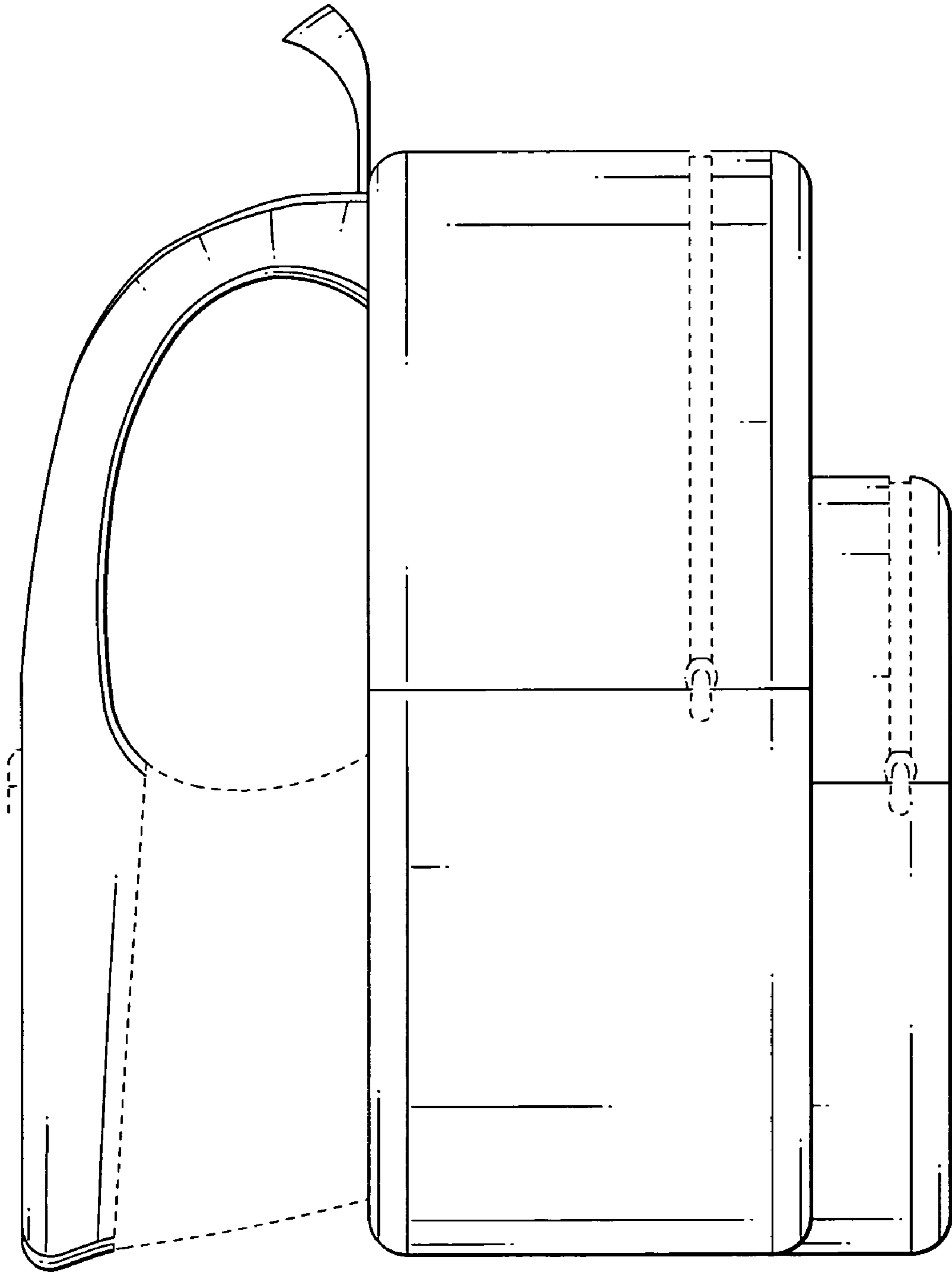


FIG. 11

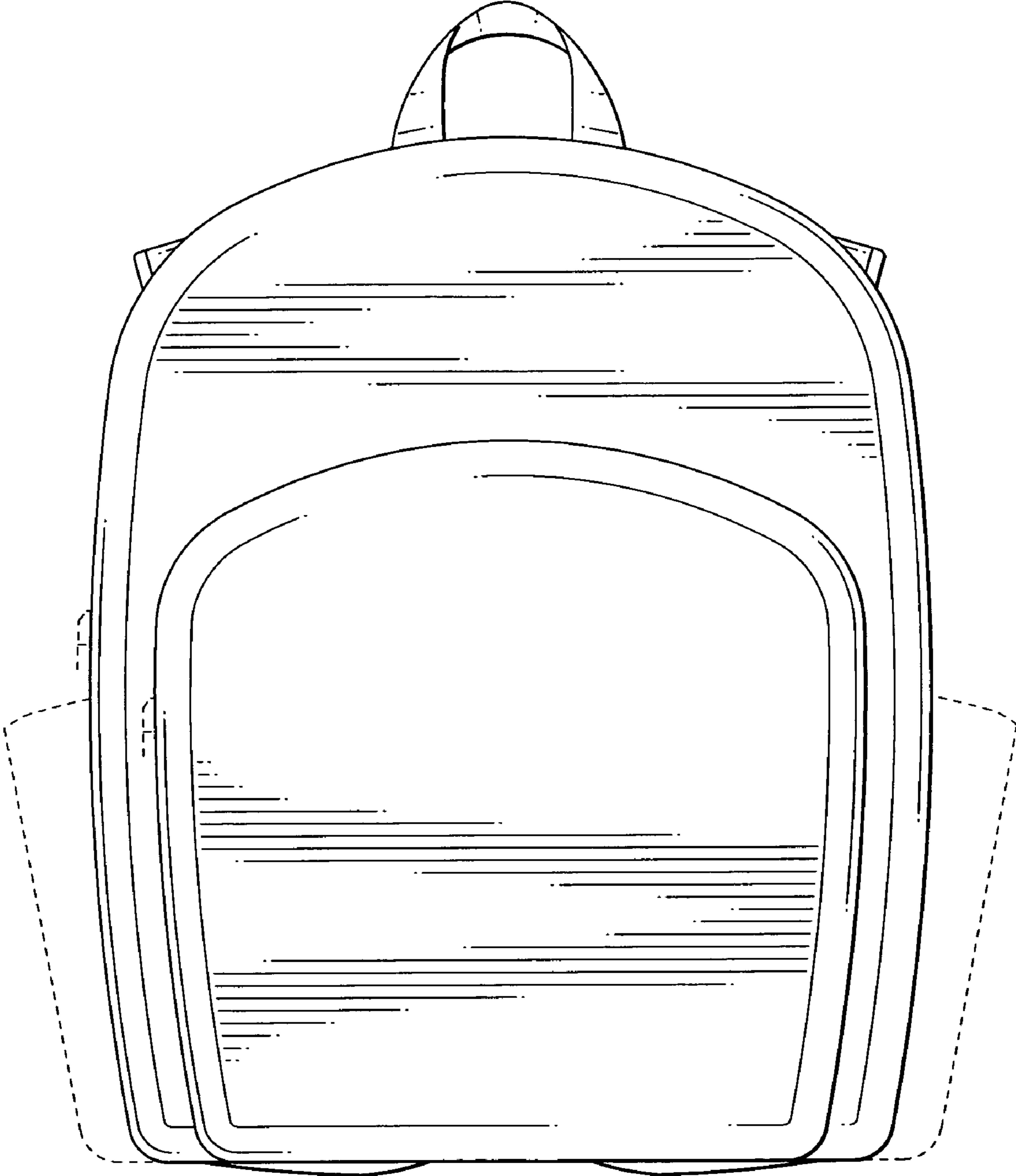


FIG. 12

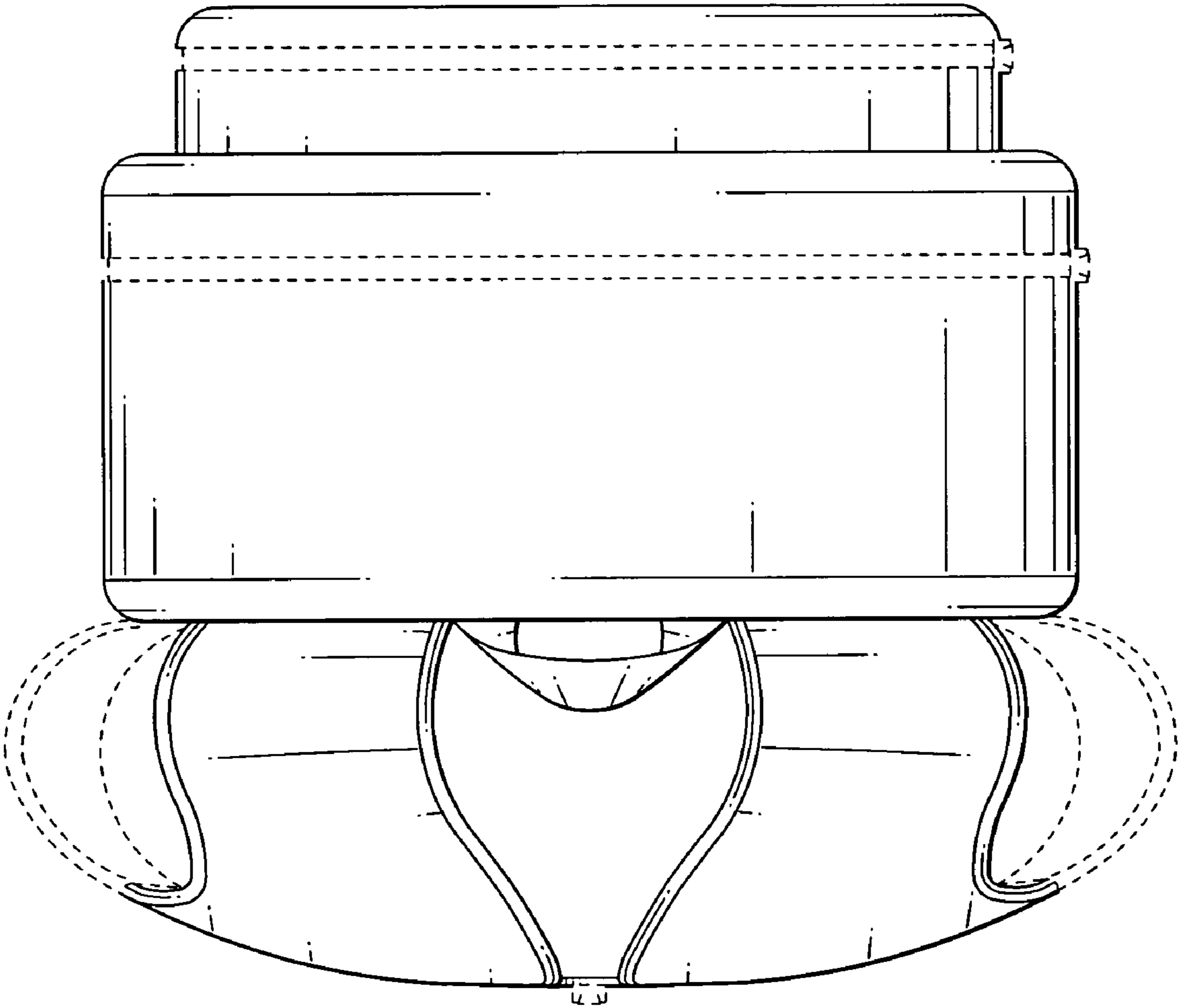


FIG. 13

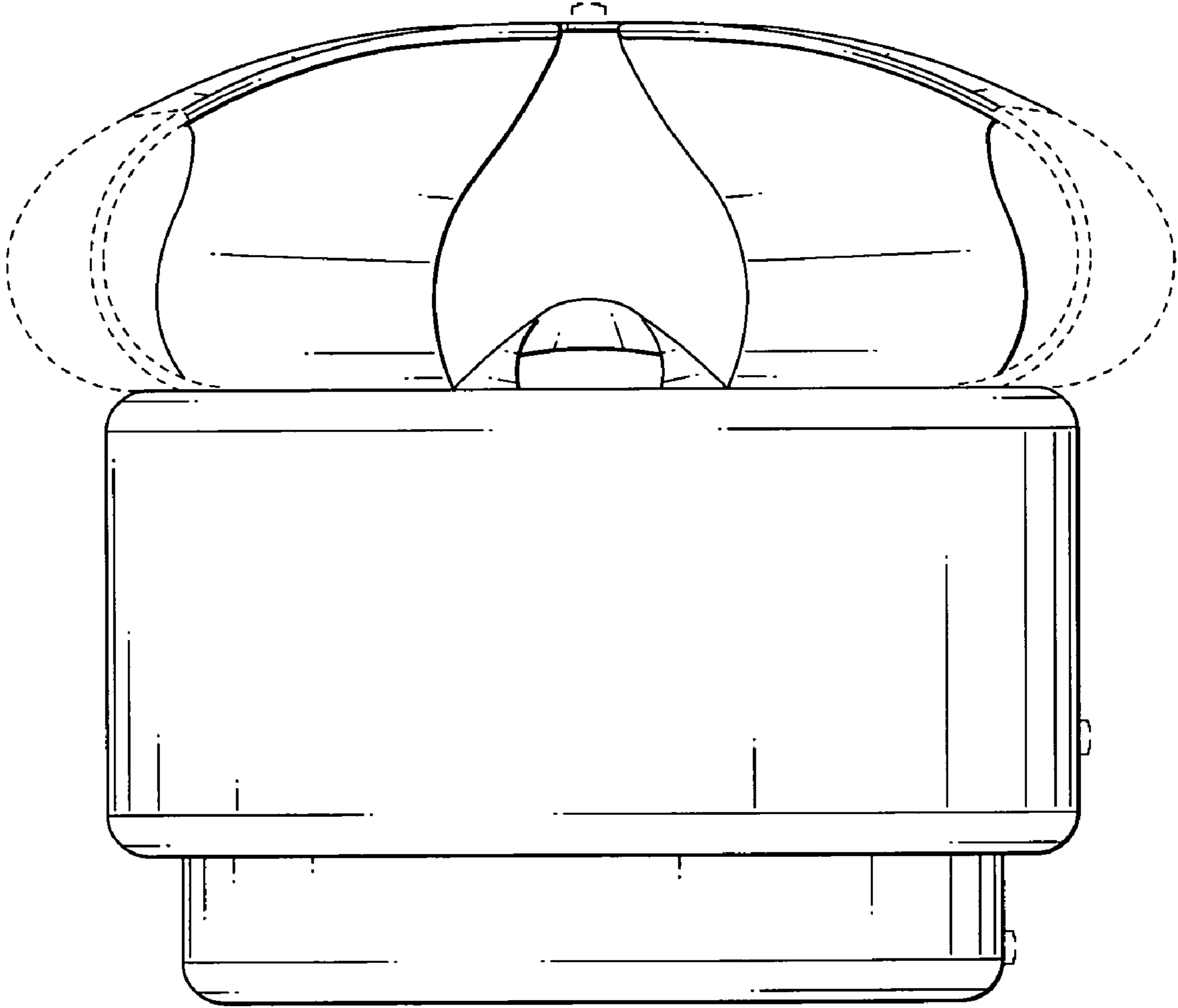


FIG. 14

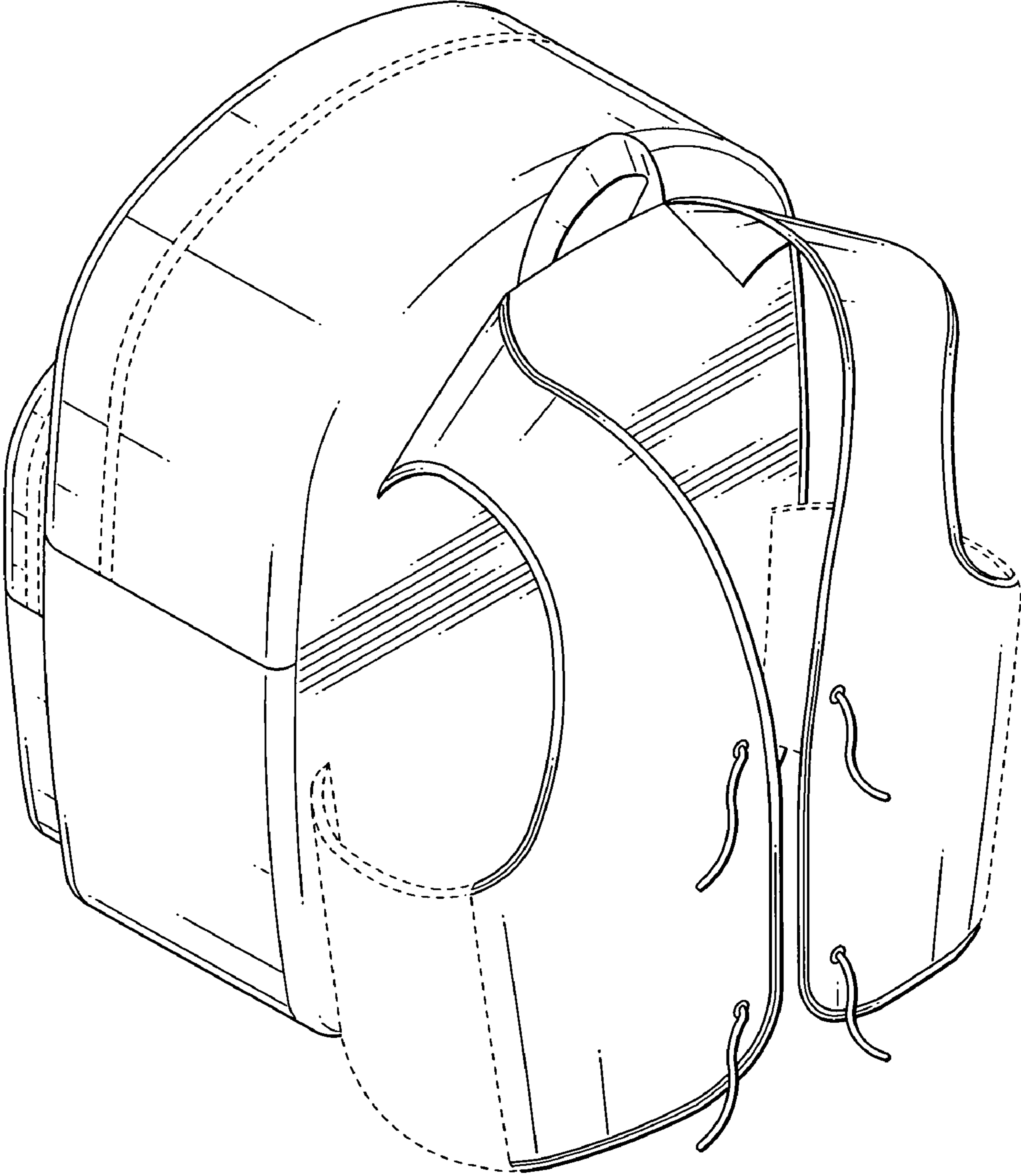


FIG. 15

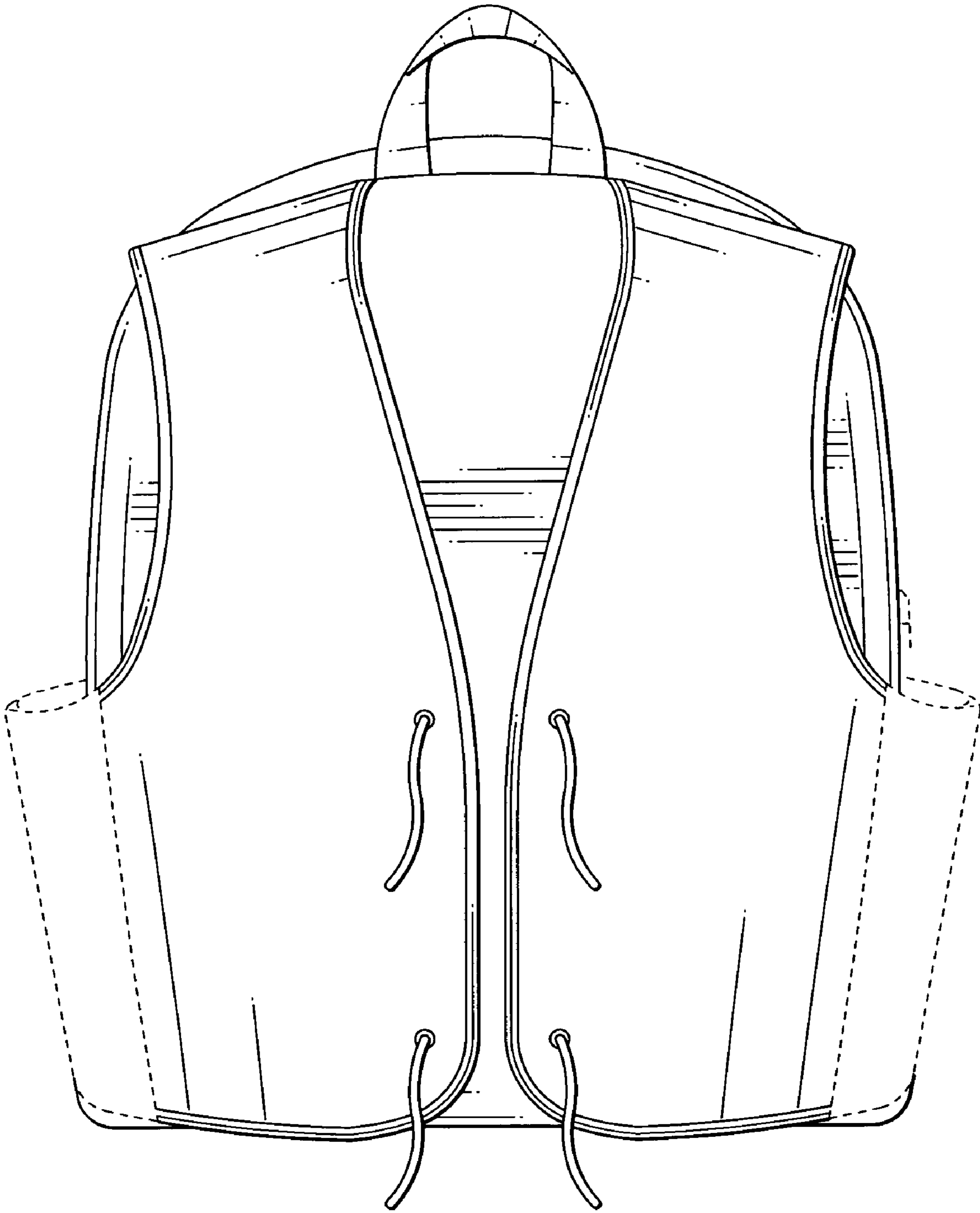


FIG. 16

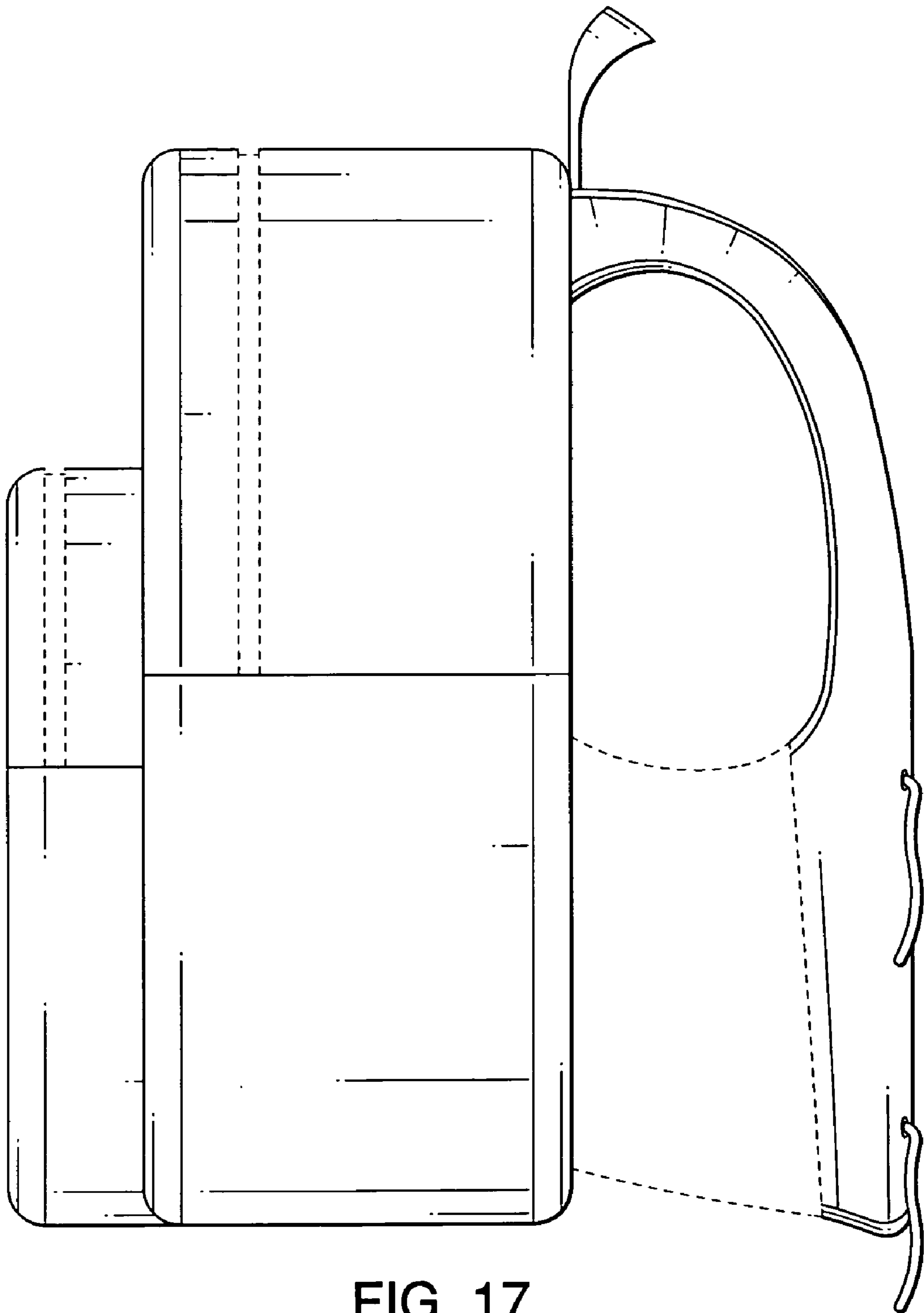


FIG. 17

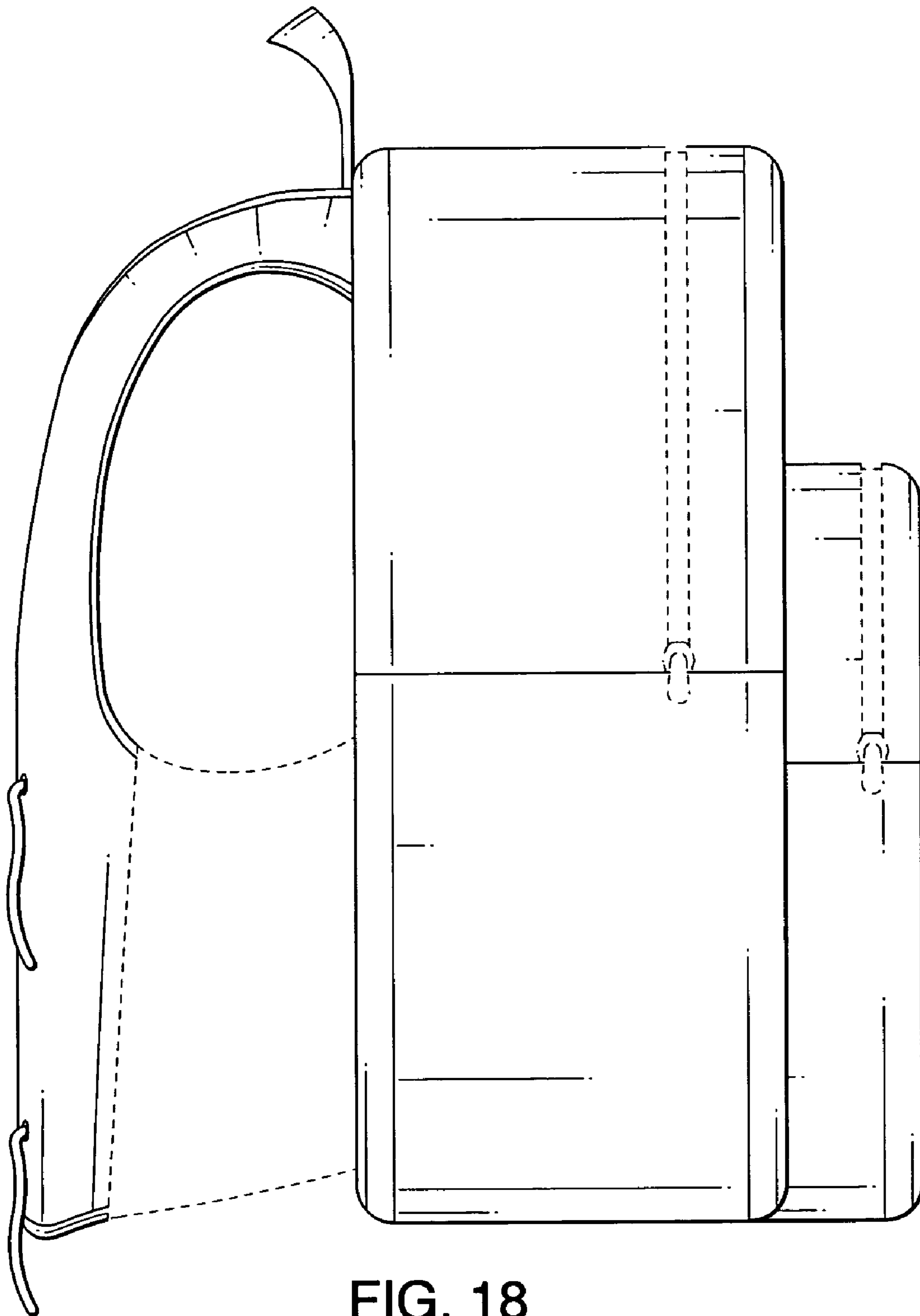


FIG. 18

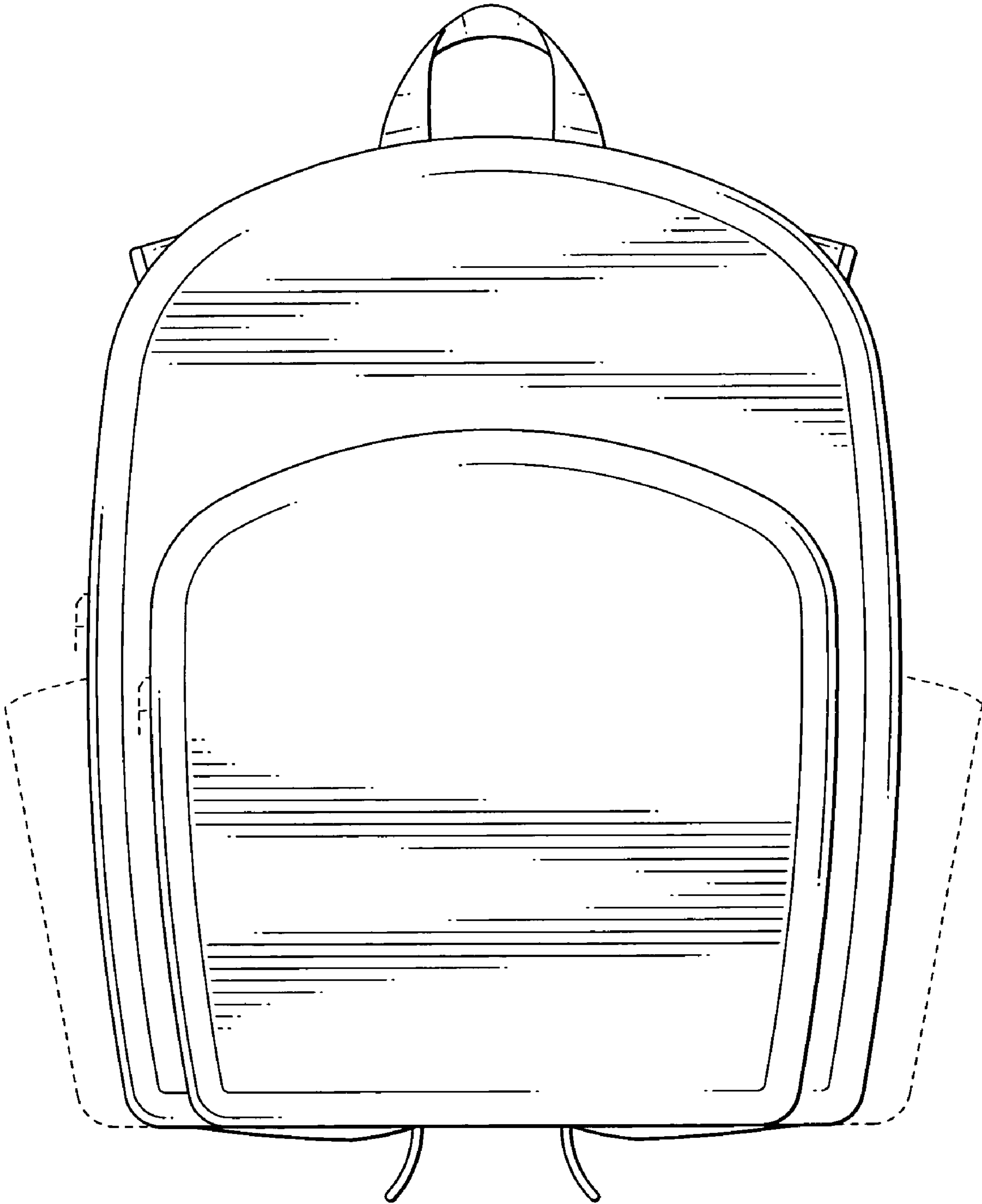


FIG. 19

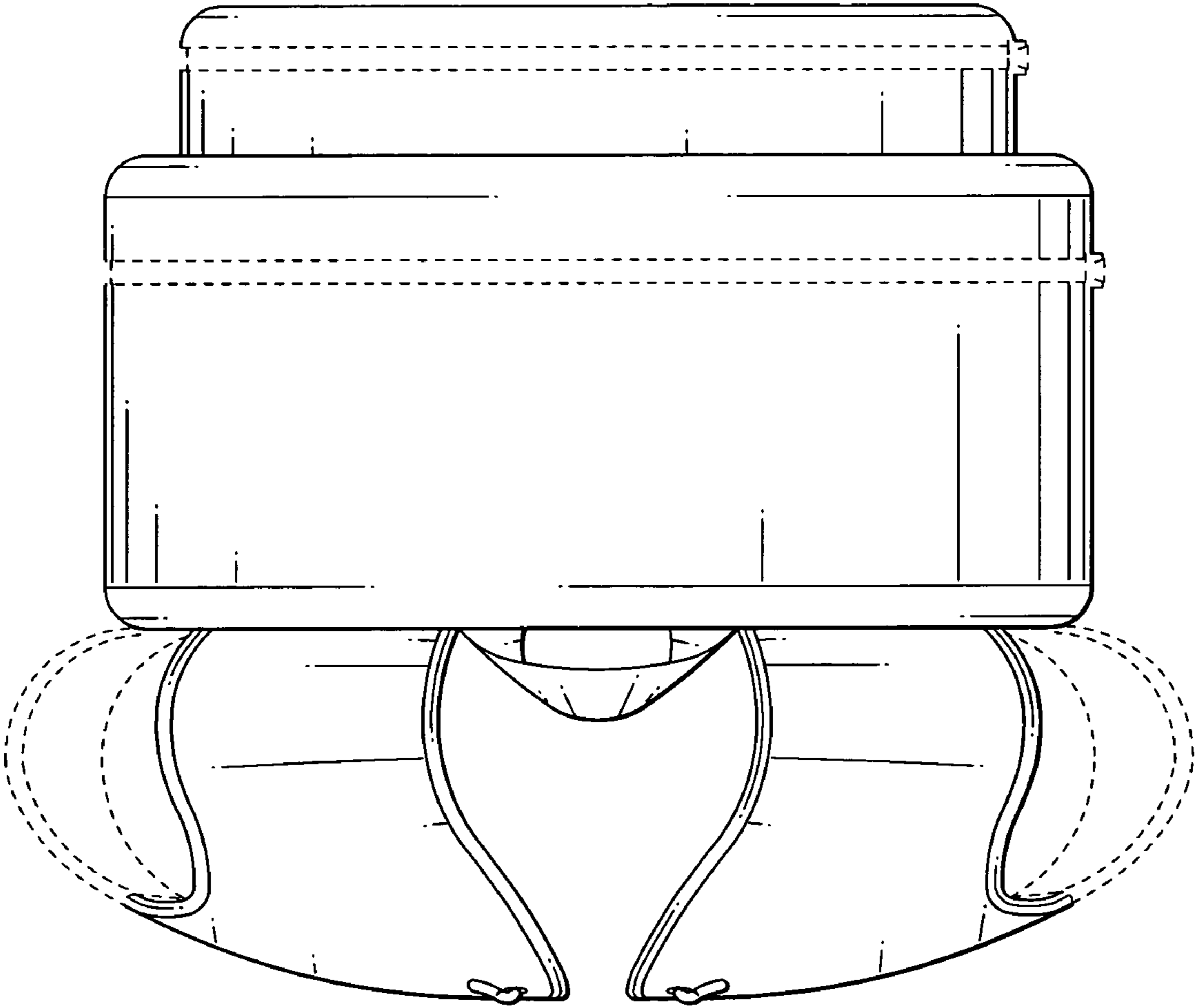


FIG. 20

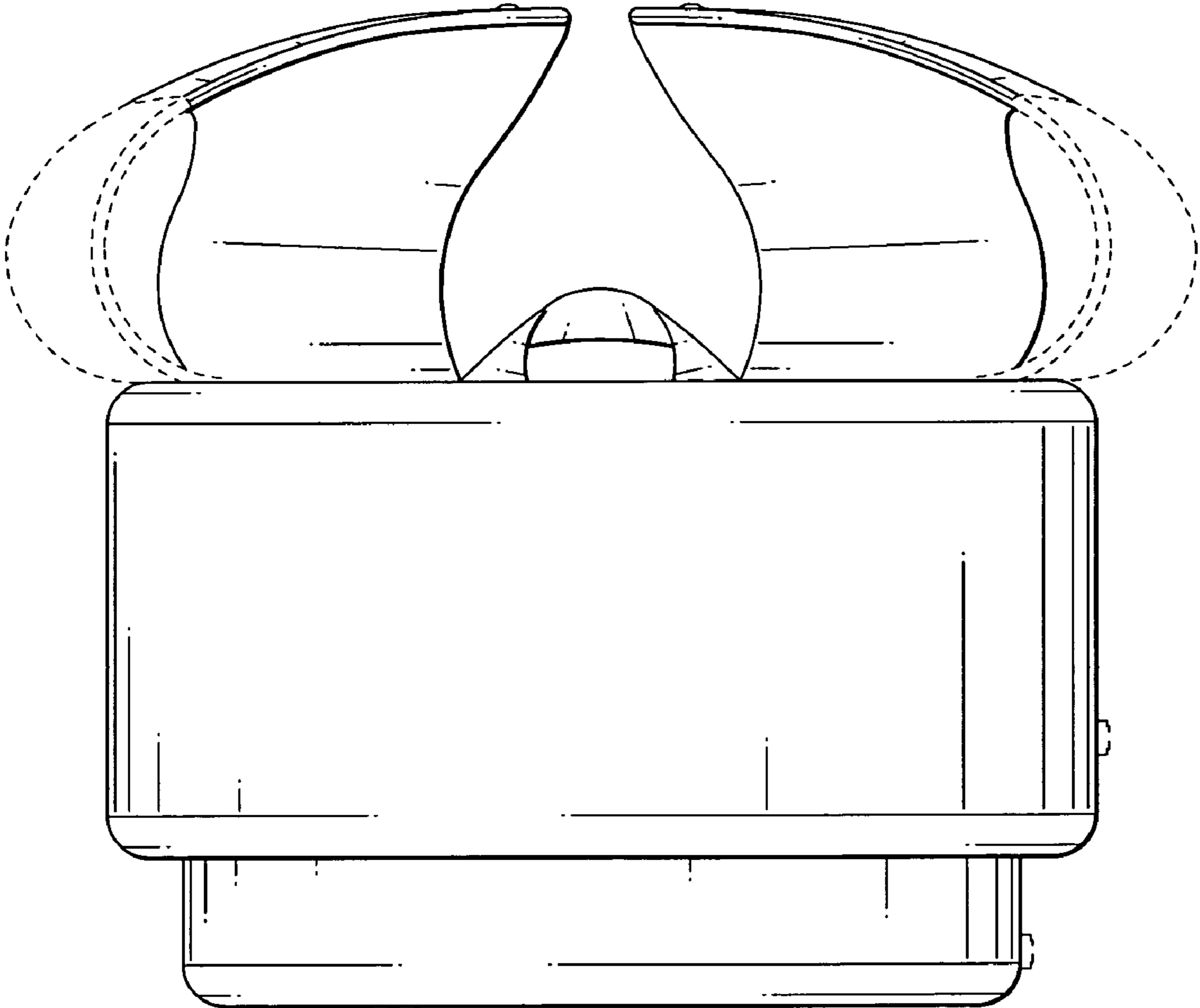


FIG. 21