



US00D611677S

(12) **United States Design Patent**
Sakellis

(10) **Patent No.:** **US D611,677 S**

(45) **Date of Patent:** **** Mar. 16, 2010**

(54) **SCARF**

(76) **Inventor:** **Elena Sakellis**, 245 E. 54 St., #192M,
New York, NY (US) 10022

(**) **Term:** **14 Years**

(21) **Appl. No.:** **29/313,391**

(22) **Filed:** **Dec. 30, 2008**

(51) **LOC (9) Cl.** **02-05**

(52) **U.S. Cl.** **D2/502**

(58) **Field of Classification Search** D2/500-508;
2/207, 270; D5/27

See application file for complete search history.

(56) **References Cited**

U.S. PATENT DOCUMENTS

D102,187 S	*	12/1936	Hyman	D2/502
D136,164 S	*	8/1943	Radebaugh	D2/503
D169,086 S	*	3/1953	Neumann	D2/502
D169,091 S	*	3/1953	Neumann	D2/503
D170,599 S	*	10/1953	Neumann	D2/502
D170,600 S	*	10/1953	Neumann	D2/502

D170,933 S	*	11/1953	Neumann	D2/502
D269,050 S	*	5/1983	Kanouï	D2/502
D270,206 S	*	8/1983	Kanouï	D2/502

* cited by examiner

Primary Examiner—T. Chase Nelson

Assistant Examiner—Kathleen M Sims

(74) *Attorney, Agent, or Firm*—Bakos & Kritzer

(57) **CLAIM**

The ornamental design for a scarf, as shown and described.

DESCRIPTION

FIG. 1 is a top plan view of a scarf in an open flat position showing my new design;

FIG. 2 is a bottom plan view thereof;

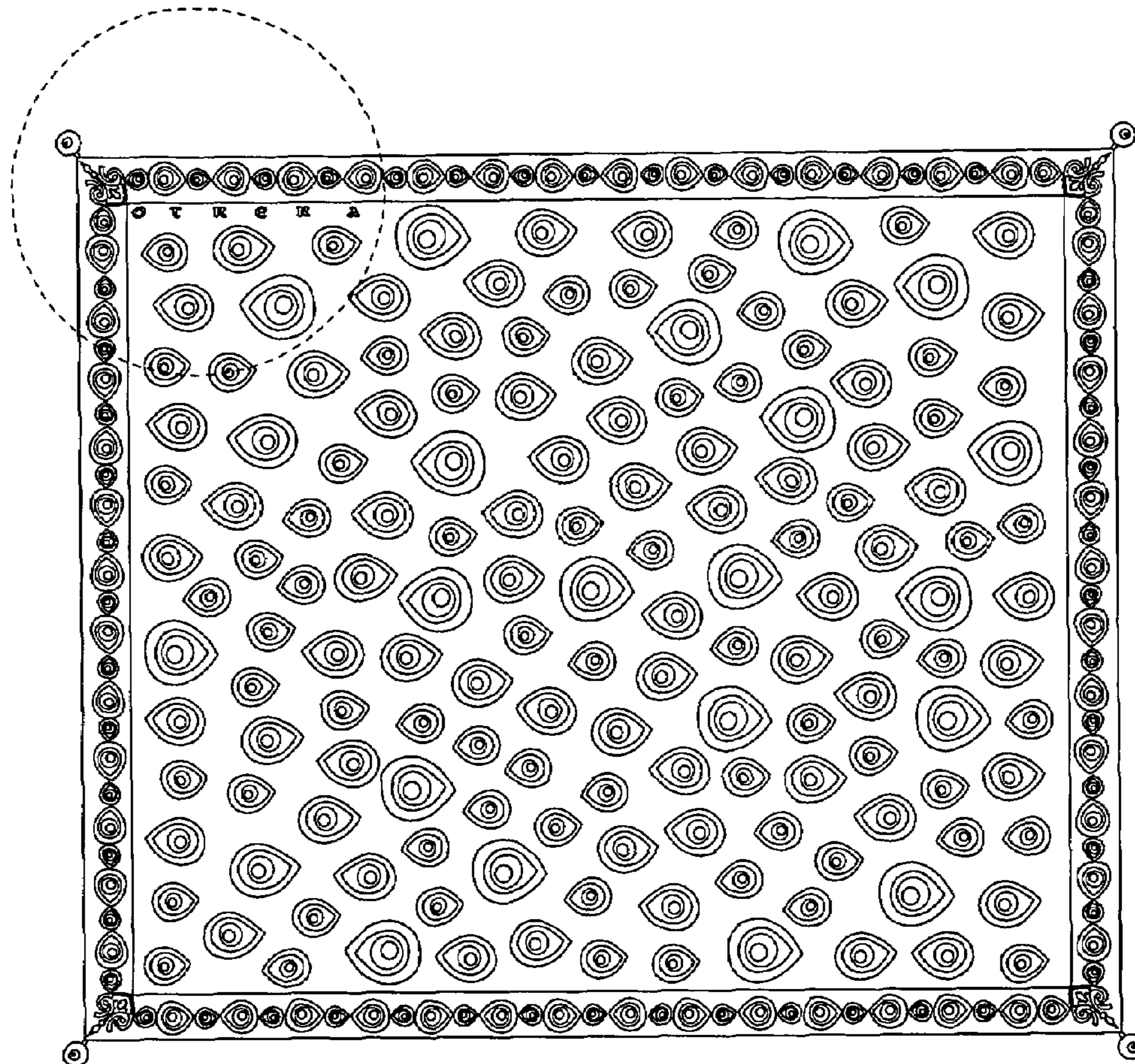
FIG. 3 is an enlarged portion of the circled area 3 of FIG. 1;

FIG. 4 is an enlarged portion of the circled area 4 of FIG. 3;

FIG. 5 is a side elevational view of FIG. 1; and,

FIG. 6 is an enlarged portion of the circled area 6 of FIG. 5.

1 Claim, 5 Drawing Sheets



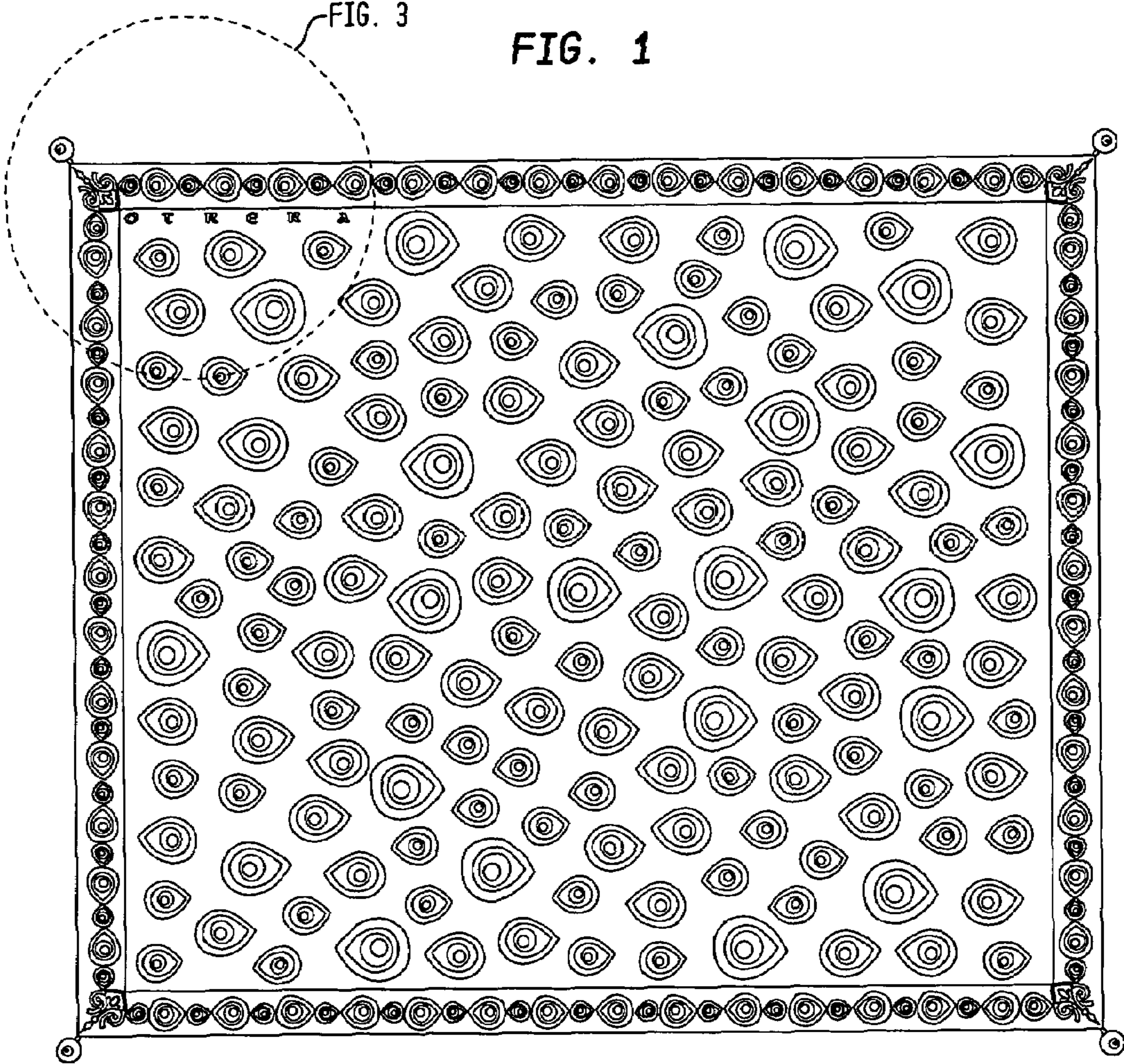


FIG. 2

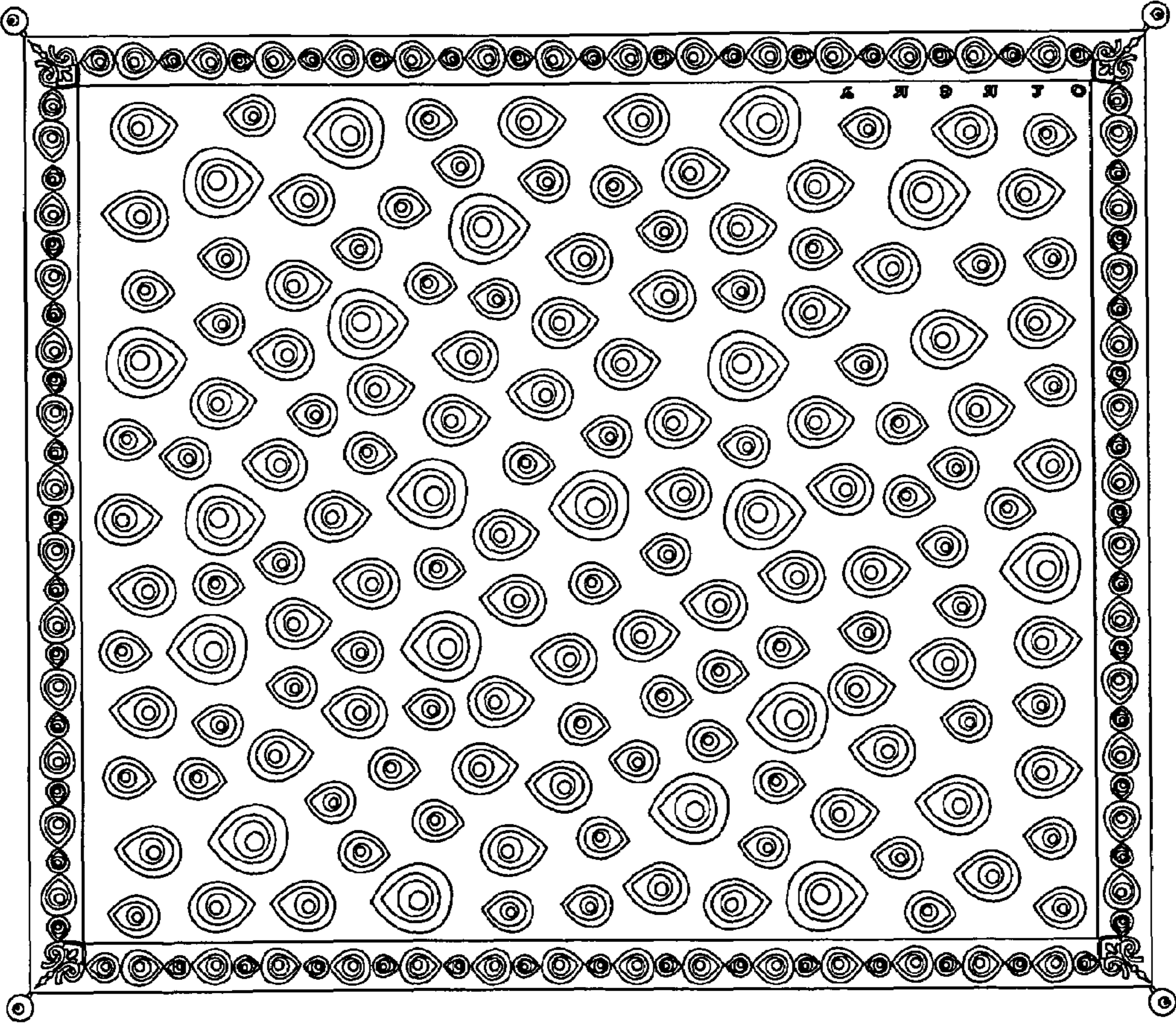


FIG. 3

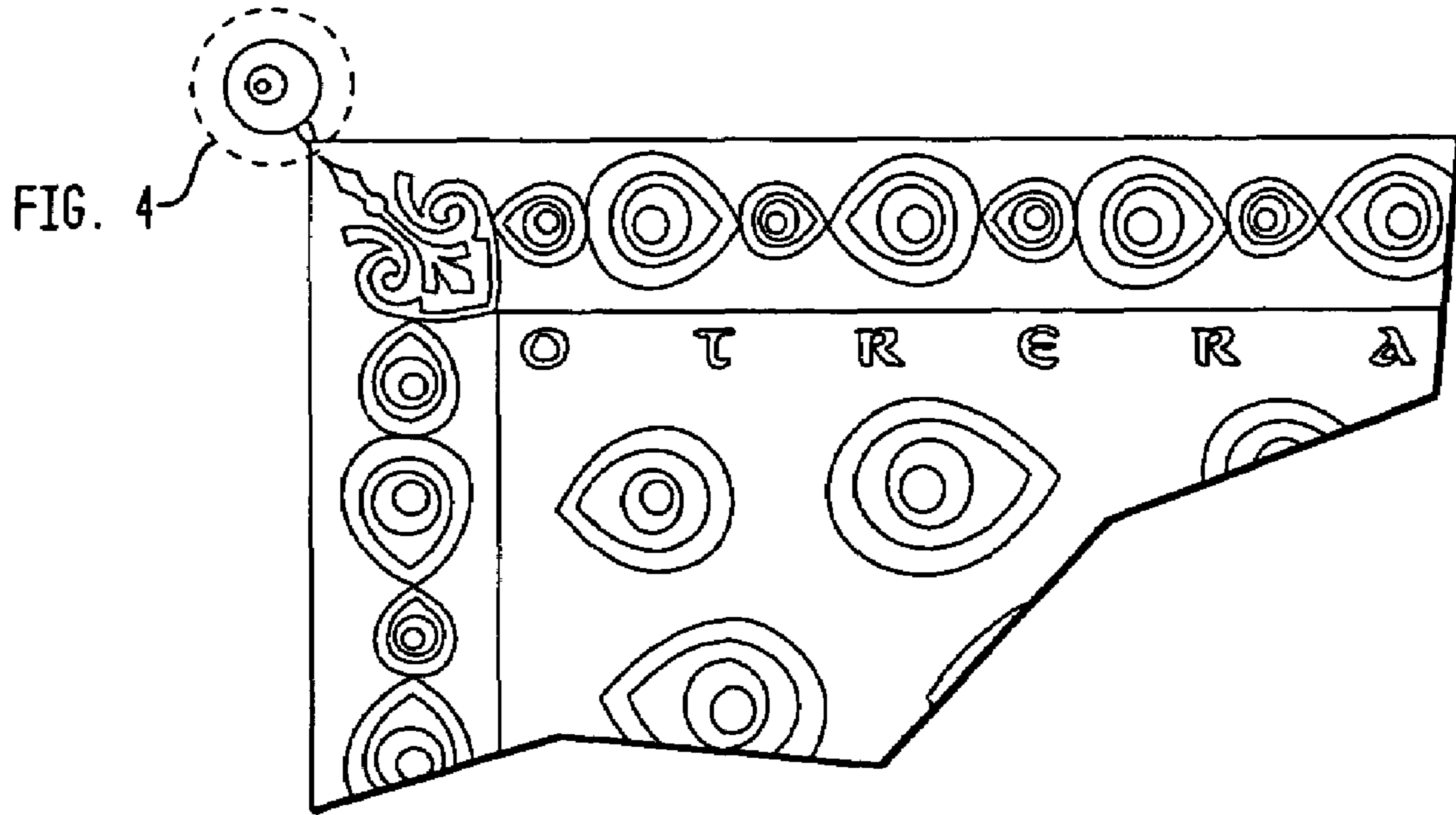


FIG. 4

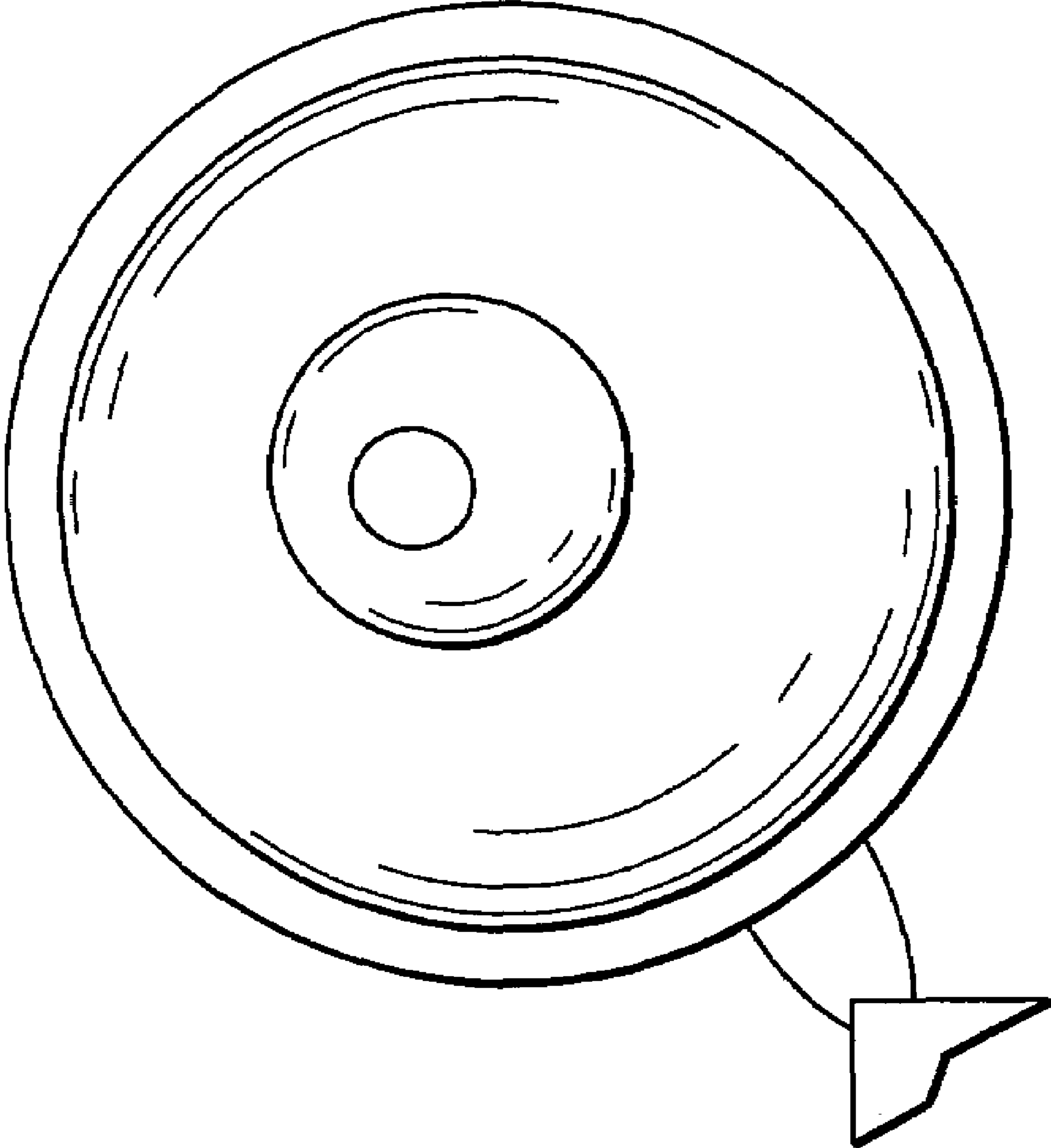


FIG. 5

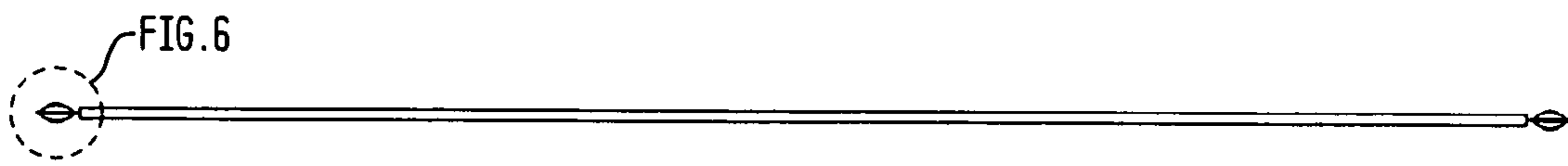


FIG. 6

