



US00D611671S

(12) **United States Design Patent**
Yang et al.

(10) **Patent No.:** **US D611,671 S**
(45) **Date of Patent:** **** Mar. 9, 2010**

- (54) **FOOT PEDAL**
- (75) Inventors: **Frank Yang**, Rancho Palos Verdes, CA (US); **Tzu-Hao Wei**, Hacienda Heights, CA (US); **William Hsu**, Diamond Bar, CA (US); **Di-fong Chang**, Torrance, CA (US)
- (73) Assignee: **Simplehuman LLC**, Torrance, CA (US)
- (**) Term: **14 Years**
- (21) Appl. No.: **29/308,501**
- (22) Filed: **Jun. 19, 2008**

D524,005	S	*	6/2006	Lin	D34/9
D526,458	S	*	8/2006	Lin	D34/9
D530,477	S	*	10/2006	Lin	D34/9
D530,874	S	*	10/2006	Lin	D34/9
D532,573	S	*	11/2006	Lin	D34/9
D532,950	S	*	11/2006	Lin	D34/9
D535,800	S	*	1/2007	Yang et al.	D34/9
D539,499	S	*	3/2007	Yang et al.	D34/9
D544,170	S	*	6/2007	Lin	D34/9
D544,171	S	*	6/2007	Lin	D34/9
7,225,943	B2	*	6/2007	Yang et al.	220/263
D547,917	S	*	7/2007	Yang et al.	D34/9
D555,865	S	*	11/2007	Lin	D34/9
D555,868	S	*	11/2007	Lin	D34/9
2003/0201267	A1	*	10/2003	Yang et al.	220/263
2006/0266749	A1	*	11/2006	Yang et al.	220/263
2007/0029323	A1	*	2/2007	Yang et al.	220/263

Related U.S. Application Data

- (60) Continuation-in-part of application No. 29/289,879, filed on Aug. 6, 2007, now Pat. No. Des. 571,971, which is a division of application No. 29/268,838, filed on Nov. 13, 2006, now Pat. No. Des. 548,917, which is a division of application No. 29/257,780, filed on Apr. 10, 2006, now Pat. No. Des. 536,150, which is a division of application No. 29/200,892, filed on Mar. 5, 2004, now Pat. No. Des. 522,206.

* cited by examiner

Primary Examiner—Cynthia E Ramirez
(74) *Attorney, Agent, or Firm*—Raymond Sun

- (51) **LOC (9) Cl.** **09-09**
- (52) **U.S. Cl.** **D34/10**
- (58) **Field of Classification Search** D34/1,
D34/9, 10, 11; 220/908–913, 262–264, 495.04;
D8/499; 338/153, 197; 200/86.5, 335, 343;
74/523, 548

(57) **CLAIM**

The ornamental design for a foot pedal, as shown and described.

See application file for complete search history.

DESCRIPTION

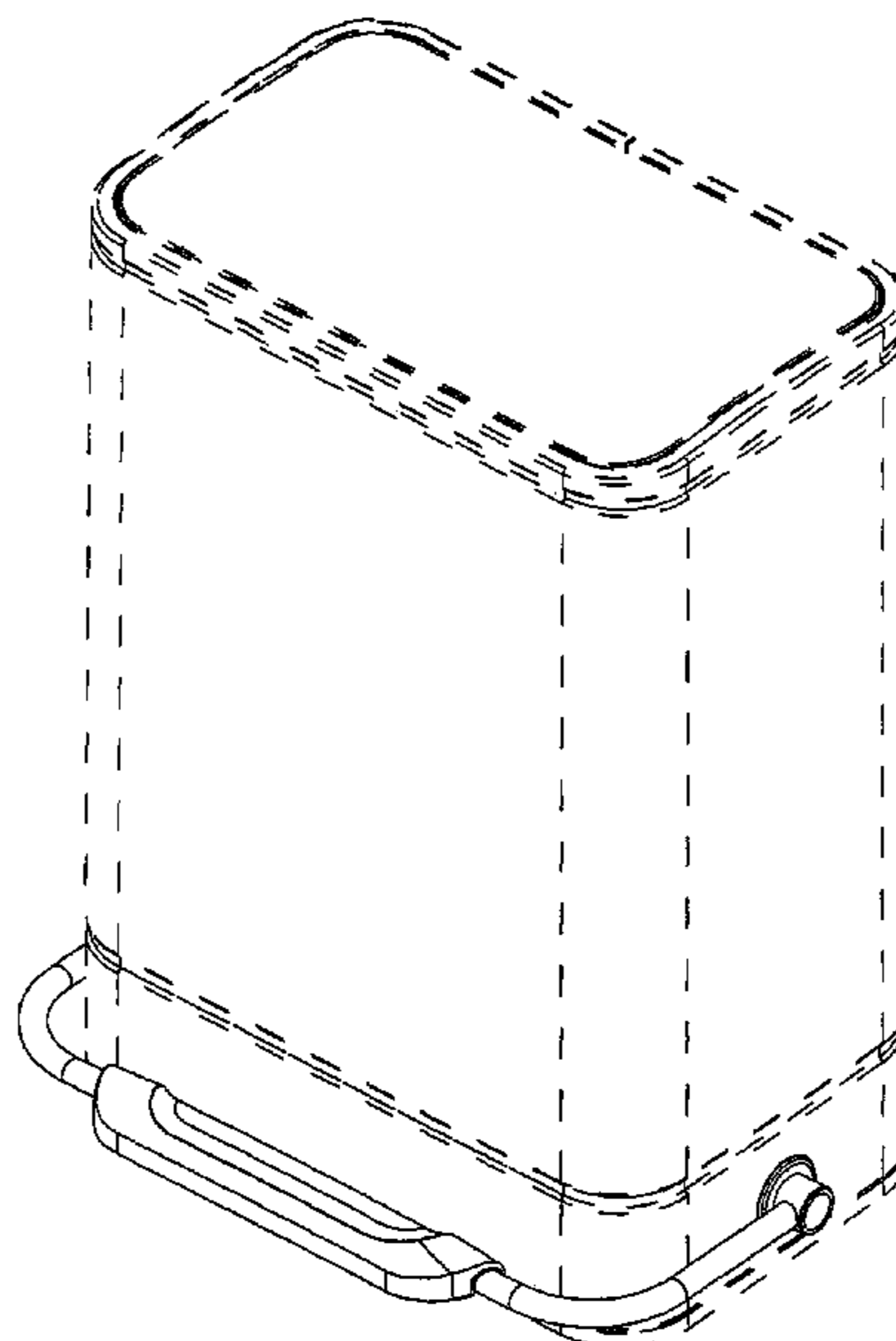
FIG. 1 is a perspective view of a foot pedal according to the present invention.
FIG. 2 is a top plan view thereof;
FIG. 3 is a front plan view thereof;
FIG. 4 is a rear plan view thereof; and,
FIG. 5 is a right side elevational view of the foot pedal, the left side being a mirror image thereof.

The broken line showing of a container is included for purpose of illustrating environment and forms no part of the claimed design.

(56) **References Cited**
U.S. PATENT DOCUMENTS

D465,893	S	*	11/2002	Lin	D34/9
D482,832	S	*	11/2003	Lin	D34/9
D517,766	S	*	3/2006	Lin	D34/9

1 Claim, 5 Drawing Sheets



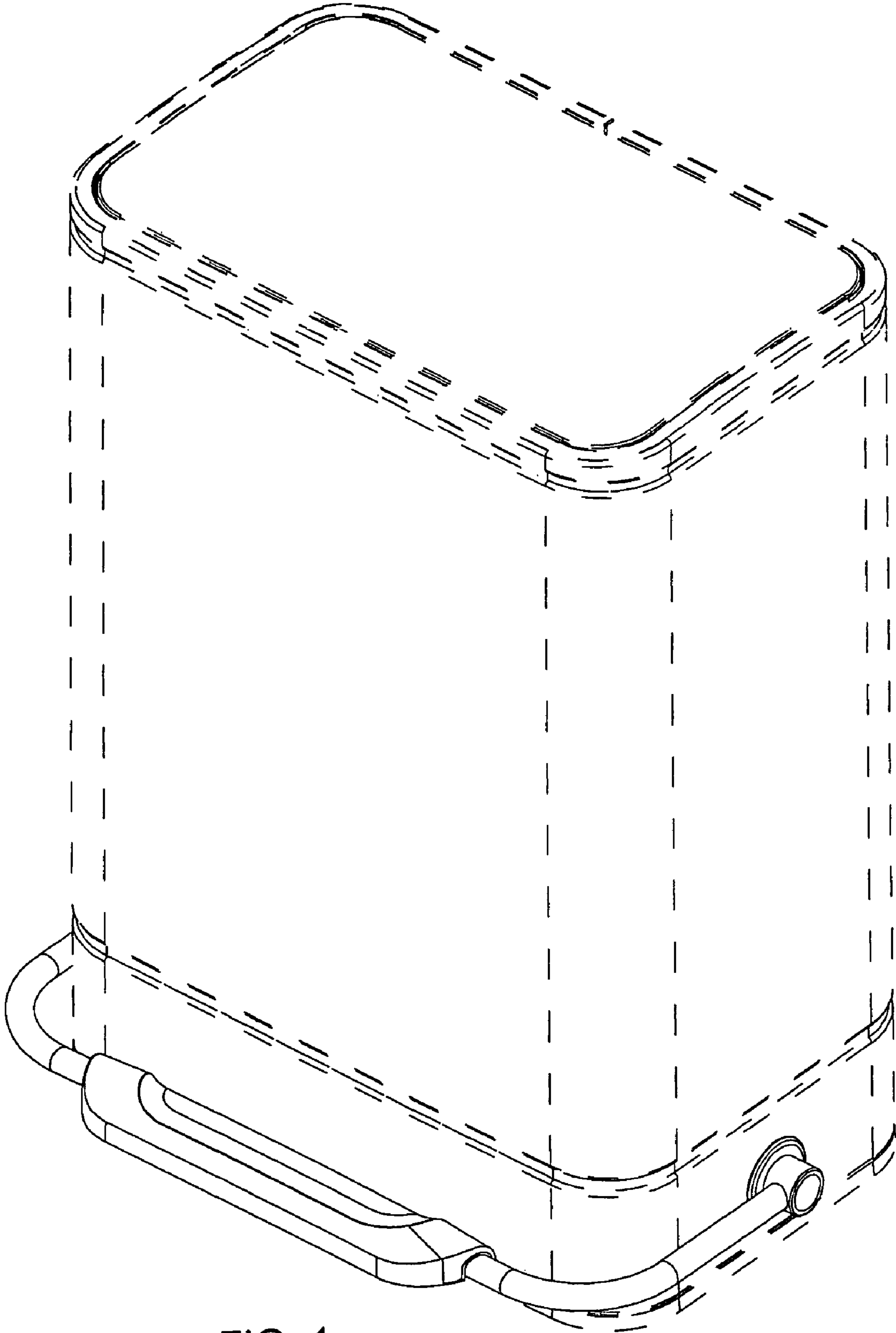


FIG. 1

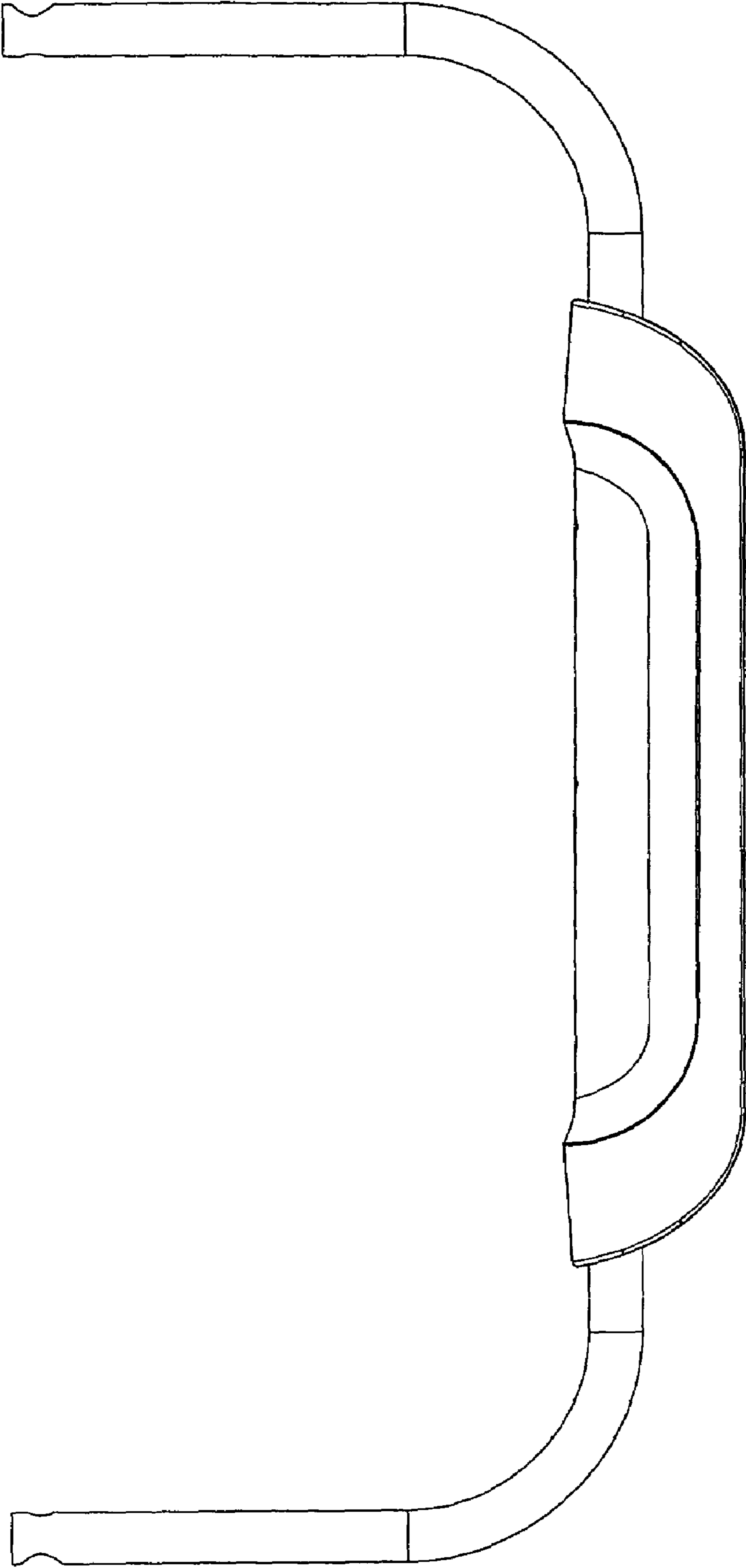


FIG. 2



FIG. 3



FIG. 4

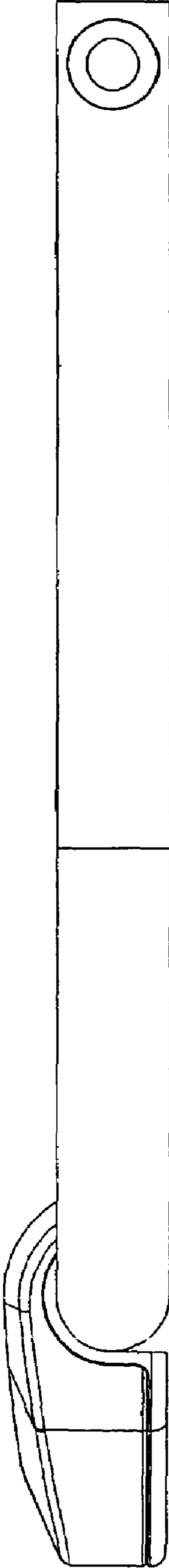


FIG. 5